



US0D1006605S

(12) **United States Design Patent**
Chung

(10) **Patent No.: US D1,006,605 S**

(45) **Date of Patent: ** Dec. 5, 2023**

(54) **WALL BRACKET FOR FIXING WATER SUPPLY PIPE**

(71) Applicant: **Greatness Sanitary Industrial Co., Ltd.**, Xiushui Township, Changhua County (TW)

(72) Inventor: **Wei-cheng Chung**, Xiushui Township (TW)

(73) Assignee: **Greatness Sanitary Industrial Co., Ltd.**, Xiushui Township (TW)

(**) Term: **15 Years**

(21) Appl. No.: **29/766,834**

(22) Filed: **Jan. 19, 2021**

(51) **LOC (14) Cl.** **08-08**

(52) **U.S. Cl.**
USPC **D8/396; D8/363**

(58) **Field of Classification Search**
USPC D6/672, 702, 705; D8/354, 363, 373, D8/380-381, 396; D23/249
CPC F16L 3/133; F16L 3/14; F16L 3/11; F16L 3/085; F16L 3/1091; F16L 3/16
See application file for complete search history.

(56) **References Cited**

U.S. PATENT DOCUMENTS

539,266	A *	5/1895	Harbeckes	F16L 3/14 248/59
675,106	A *	5/1901	Oberle	F16L 3/26 403/90
1,025,243	A *	5/1912	Carpenter	F16L 3/14 248/62
1,158,633	A *	11/1915	Carpenter	F16L 3/14 248/62
1,898,898	A *	2/1933	Rowley	F16L 3/14 248/62
D97,941	S *	12/1935	Levett	D8/373

2,111,357	A *	3/1938	Cornell, Jr.	F16L 3/11 248/62
2,158,802	A *	5/1939	Redlon	F16L 3/14 248/62
2,925,977	A *	2/1960	Cononi	F16B 9/054 248/62
3,121,235	A *	2/1964	Gellmann	A47K 3/285 4/570
D357,217	S *	4/1995	Shirley	D8/354
5,749,179	A *	5/1998	Bohacik	F16L 35/00 52/127.2
6,536,717	B2 *	3/2003	Parker	F16L 3/11 248/70
6,679,467	B1 *	1/2004	Softness	F16M 11/10 396/419

(Continued)

OTHER PUBLICATIONS

“T&S Brass B-0109-01 Wall Bracket, Chrome”, Oct. 7, 2007, Amazon.com, site visited Jun. 1, 2023: <https://www.amazon.com/Brass-B-0109-1-6-Inch-Bracket-Chrome/dp/B0019LPWV6> (Year: 2007).*

(Continued)

Primary Examiner — Jack Reickel
Assistant Examiner — Michael A Kervin

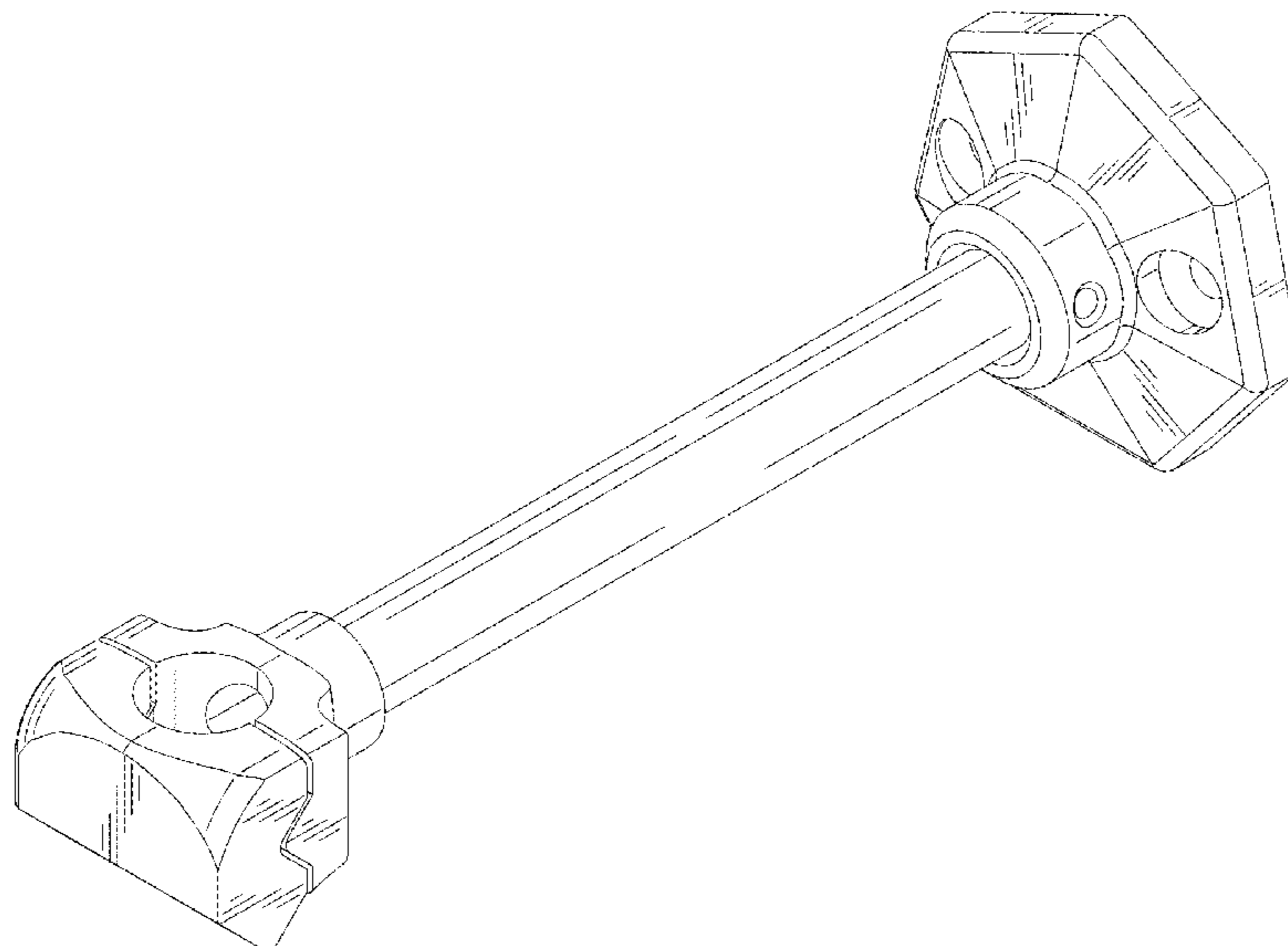
(57) **CLAIM**

The ornamental design for a wall bracket for fixing water supply pipe, as shown.

DESCRIPTION

FIG. 1 is a perspective view of a wall bracket for fixing water supply pipe showing my new design;
FIG. 2 is a front view thereof;
FIG. 3 is a rear view thereof;
FIG. 4 is a left view thereof;
FIG. 5 is a right view thereof;
FIG. 6 is a top view thereof; and,
FIG. 7 is a bottom view thereof.

1 Claim, 7 Drawing Sheets



(56)

References Cited

U.S. PATENT DOCUMENTS

6,685,144 B1 * 2/2004 Wochnick F16L 3/133
248/62
6,799,607 B1 * 10/2004 Friedline F16L 3/127
248/62
D553,971 S * 10/2007 Krueger D8/396
D569,713 S * 5/2008 Sandidge D8/363
7,367,363 B2 * 5/2008 Friedline F16L 3/20
248/62
7,498,511 B1 * 3/2009 Brown F16L 3/243
174/40 R
7,861,989 B2 * 1/2011 Cross A47H 13/01
248/254
D681,783 S * 5/2013 Chong D23/249
D810,883 S * 2/2018 Bahler D23/249
11,592,123 B2 * 2/2023 Hennon F16L 3/11

OTHER PUBLICATIONS

“Krowne 21-137 Wall Bracket”, Oct. 27, 2010, Amazon.com, site visited Jun. 1, 2023: <https://www.amazon.com/Krowne-21-137-KROWNE-Wall-Bracket/dp/B009Z27FW0> (Year: 2010).*

“Introducing Diamond Series by Krowne”, Jan. 22, 2021, YouTube.com, site visited Jun. 1, 2023: <https://www.youtube.com/watch?v=MyHMMZfMWak> (Year: 2021).*

* cited by examiner

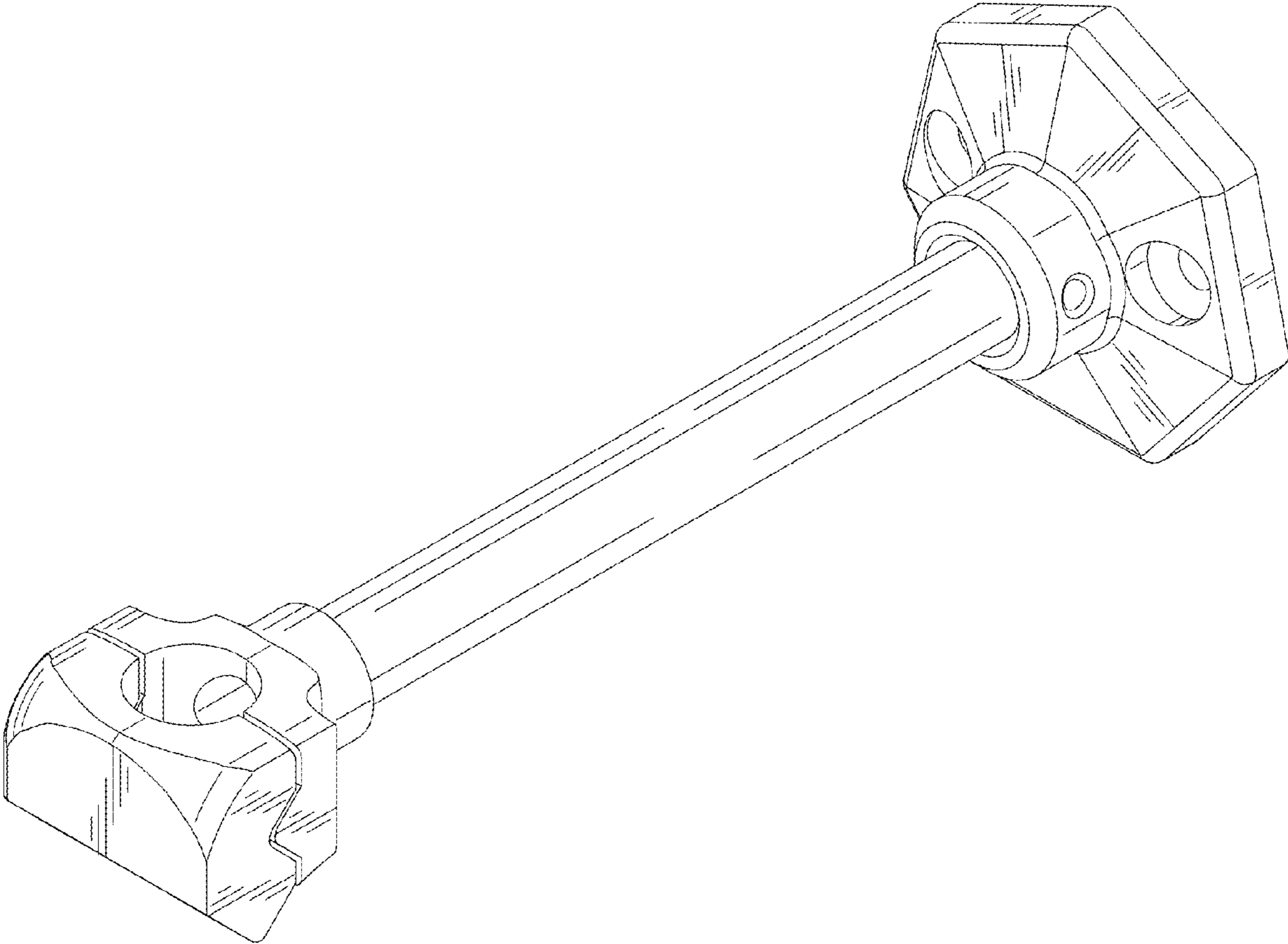


FIG. 1

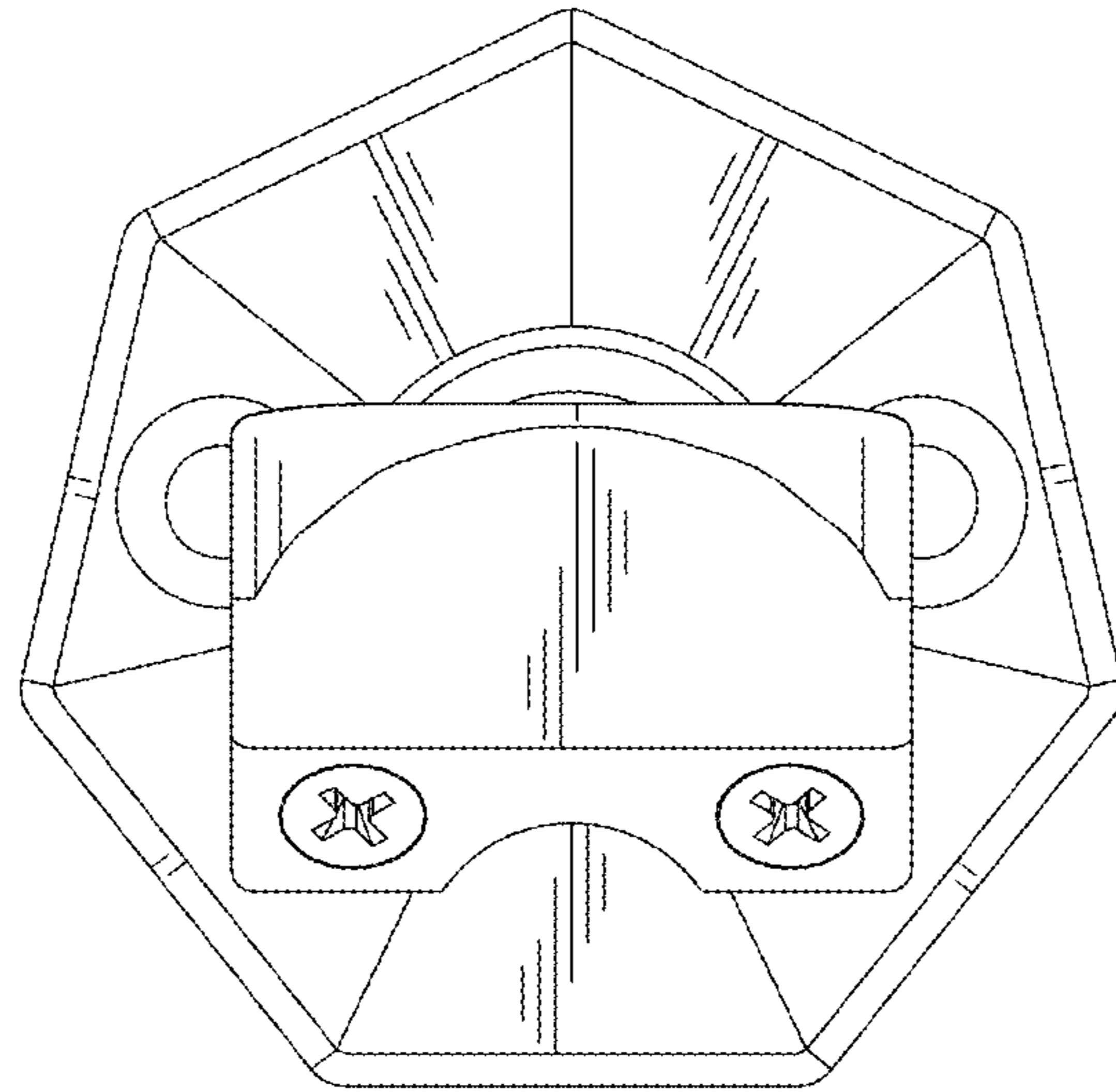


FIG. 2

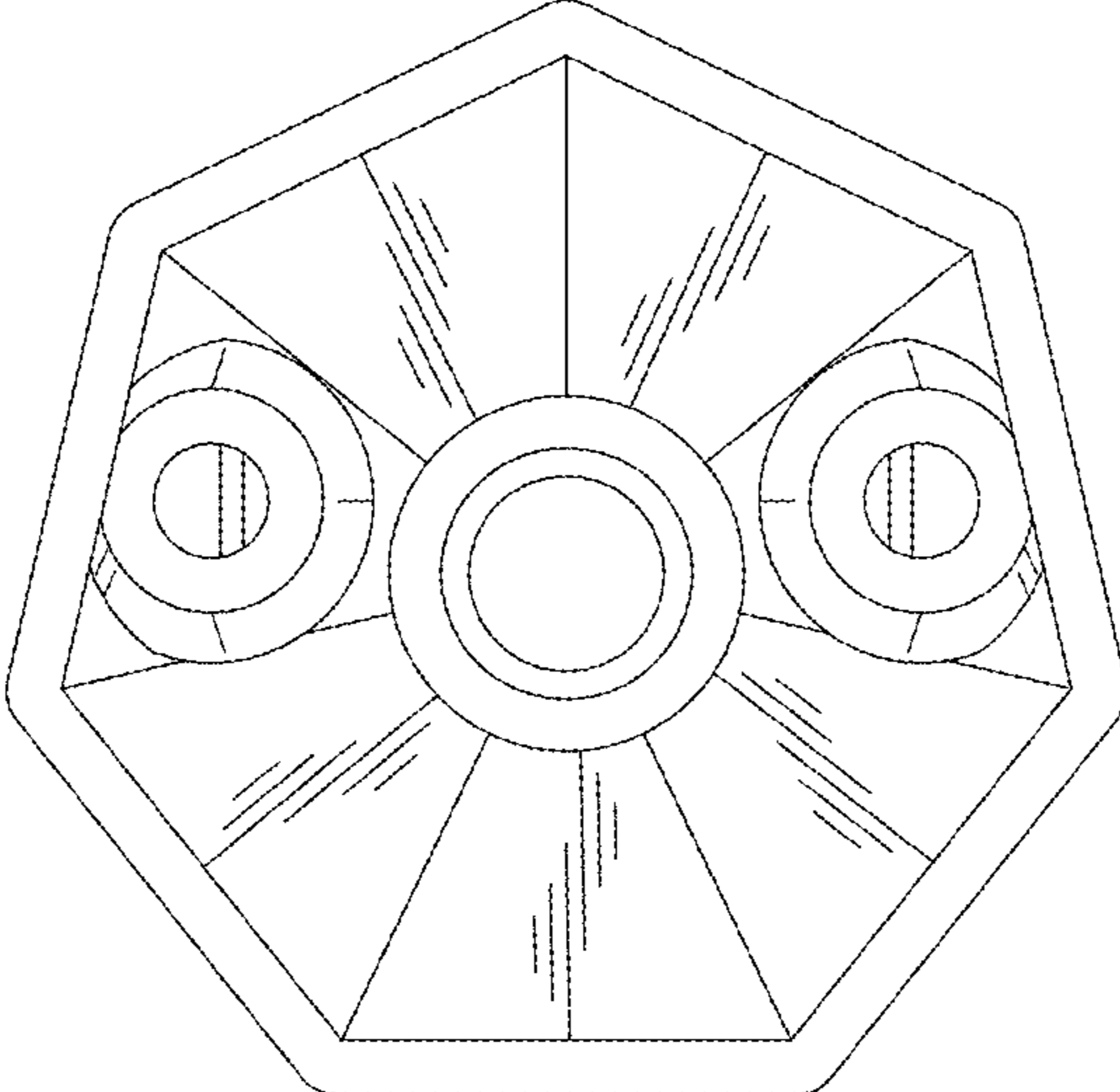


FIG. 3

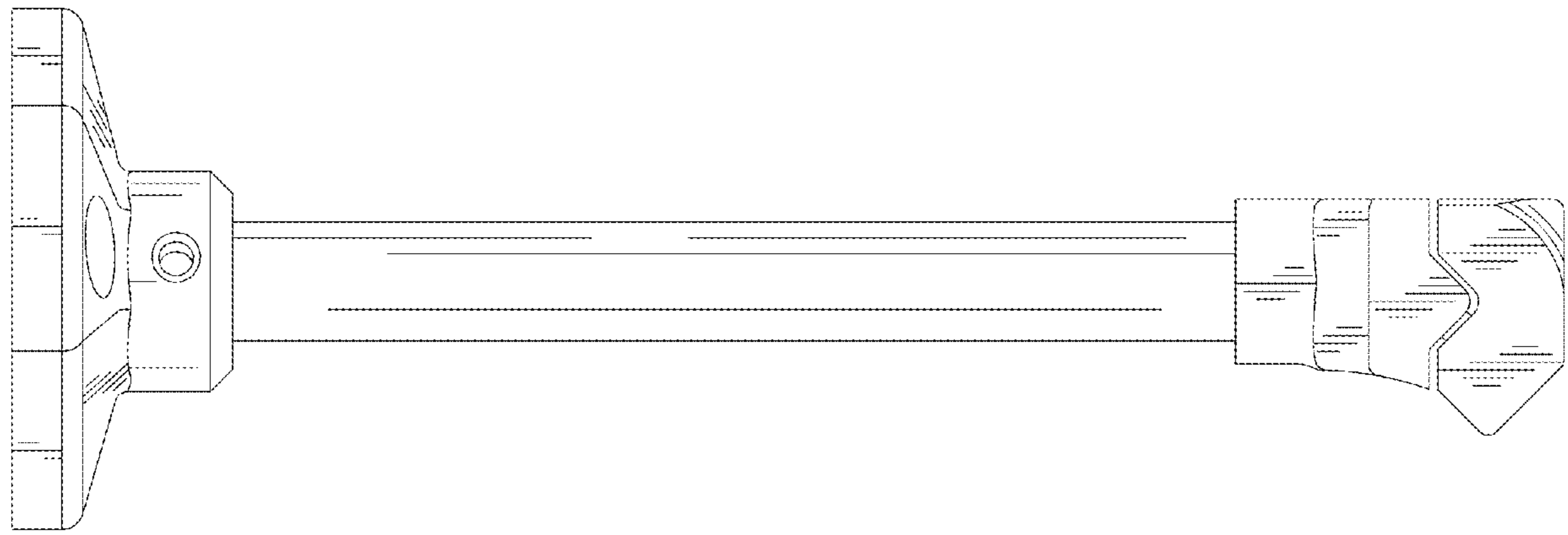


FIG. 4

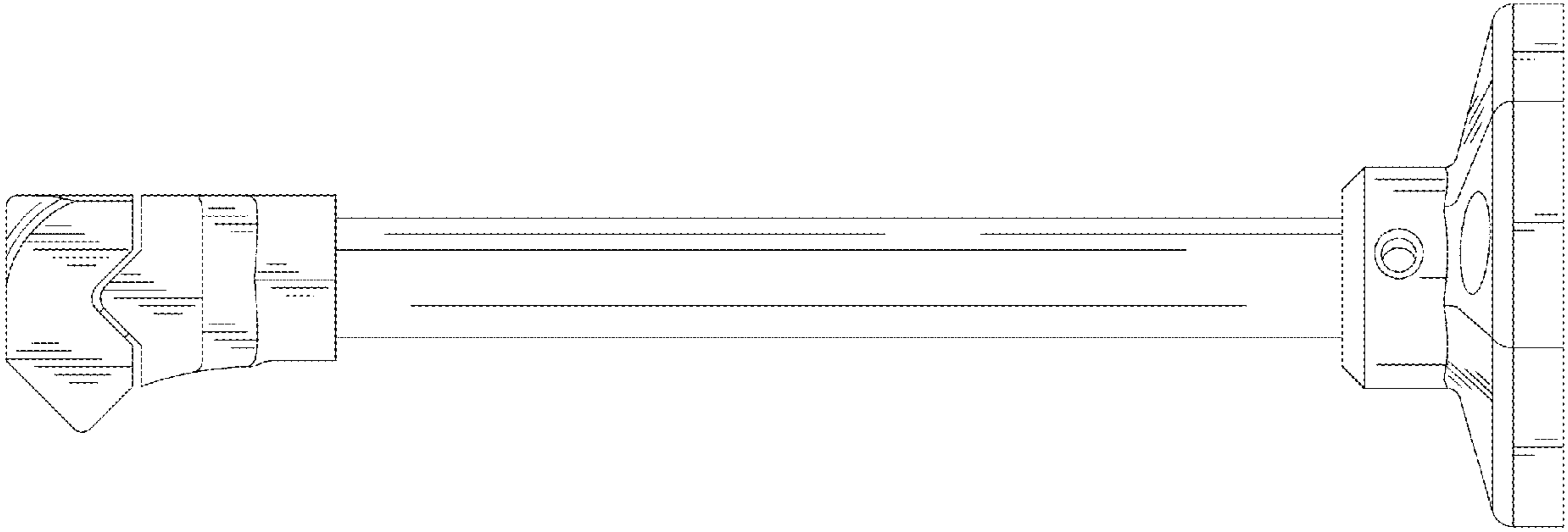


FIG.5

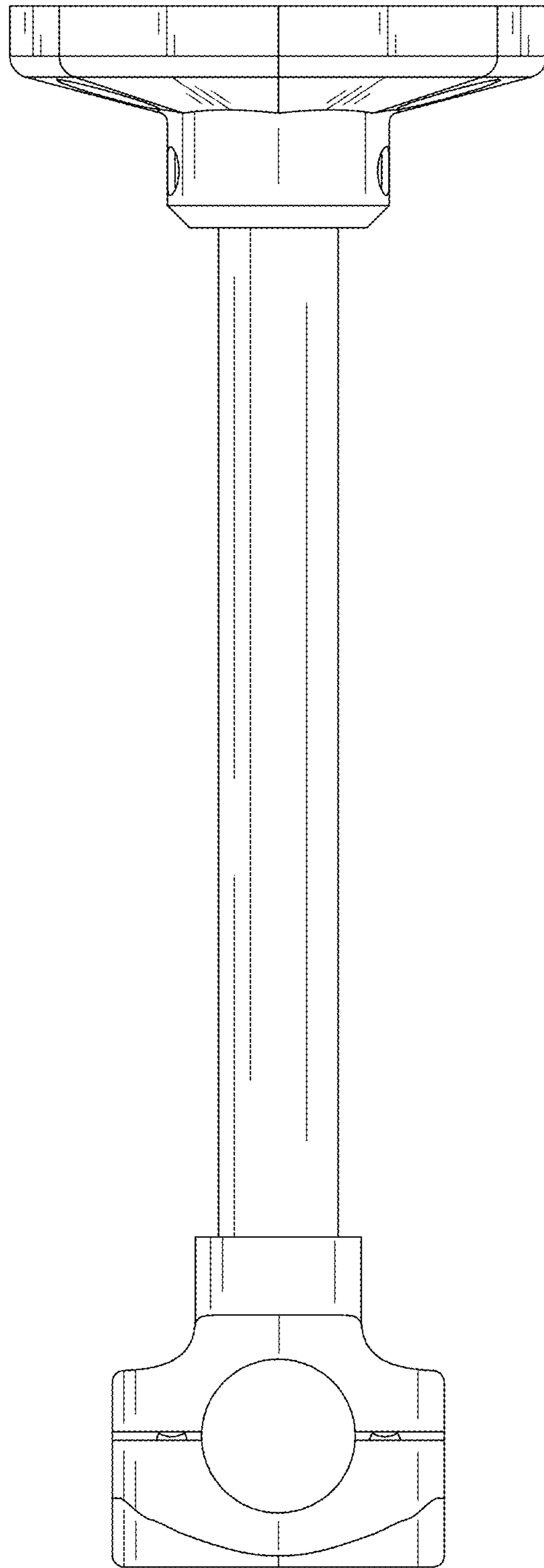


FIG. 6

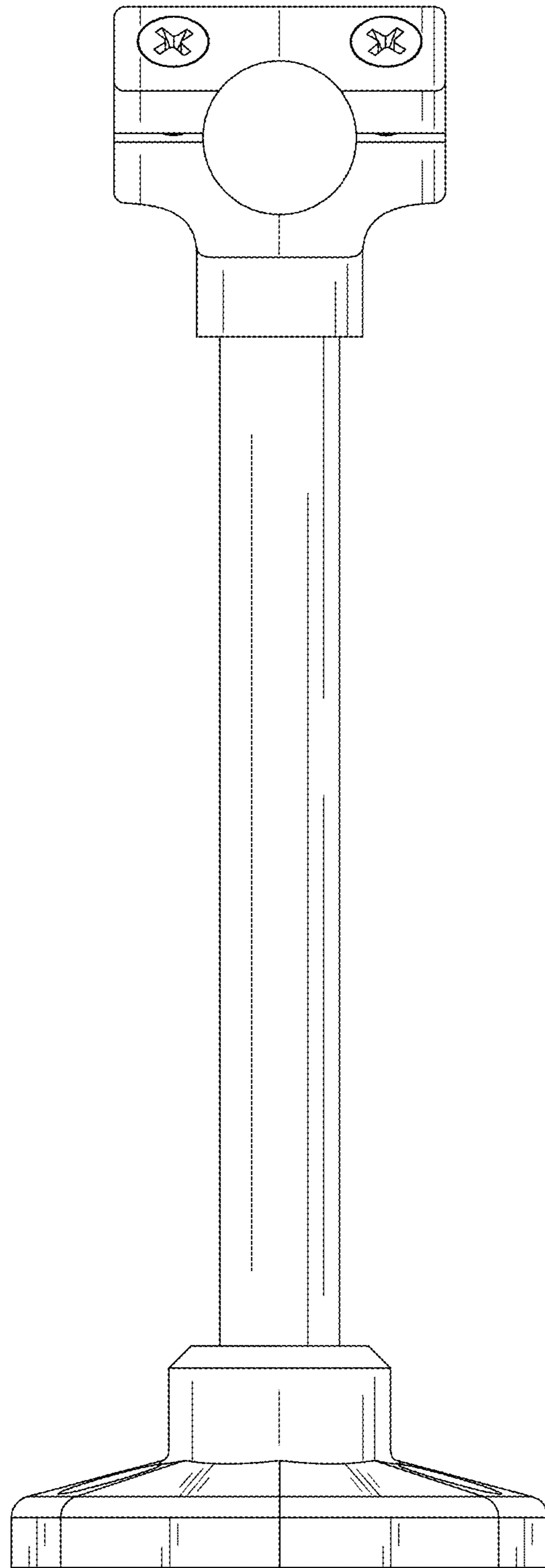


FIG. 7