



US0D1006573S

(12) **United States Design Patent**  
**Stoddard et al.**

(10) **Patent No.: US D1,006,573 S**

(45) **Date of Patent: \*\* Dec. 5, 2023**

(54) **WRENCH**

(71) Applicant: **ALLIED RUBBER & GASKET CO., INC.**, Carlsbad, CA (US)

(72) Inventors: **Jim Stoddard**, Carlsbad, CA (US);  
**James E. Grimes**, Yorba Linda, CA (US)

(73) Assignee: **Jim Stoddard**, Carlsbad, CA (US)

(\*\*) Term: **15 Years**

(21) Appl. No.: **29/785,815**

(22) Filed: **May 27, 2021**

(51) **LOC (14) Cl.** ..... **08-05**

(52) **U.S. Cl.**

USPC ..... **D8/24; D8/29**

(58) **Field of Classification Search**

USPC ..... D8/21-29, 82-85, 87

CPC .... B25B 23/0028; B25G 1/066; B25G 1/005;

B25G 1/085

See application file for complete search history.

(56) **References Cited**

**U.S. PATENT DOCUMENTS**

D27,659 S *	9/1897	Fisher	81/2
1,578,114 A *	3/1926	Fegley	B25G 1/063 81/177.85
1,724,491 A *	8/1929	Mandl	B25G 1/005 81/177.85
1,743,505 A *	1/1930	Turgeon	B25G 1/005 81/177.85
1,835,943 A *	12/1931	Hoss	B25G 1/005 81/30
2,503,373 A *	4/1950	Browning	F16D 3/16 403/138
2,938,555 A *	5/1960	Paajanen	B25G 1/005 81/177.2

3,156,143 A \* 11/1964 Wolf ..... B25G 1/005

81/177.6

3,161,093 A \* 12/1964 Hoag ..... B25B 13/06

74/544

D207,125 S \* 3/1967 MacNeill ..... D8/84

(Continued)

*Primary Examiner* — Rachel A. Voorhies

*Assistant Examiner* — Benjamin D. Wannemacher

(74) *Attorney, Agent, or Firm* — Charles L. Thoeming

(57) **CLAIM**

The ornamental design for a wrench, as shown and described.

**DESCRIPTION**

FIG. 1 is an isometric top right exploded view of a wrench in a first configuration showing our new design.

FIG. 2 is an isometric top right assembled view of the wrench of FIG. 1.

FIG. 3 is an isometric bottom left view of the wrench of FIG. 2.

FIG. 4 is a left elevation view of the wrench of FIG. 2.

FIG. 5 is a right elevation view of the wrench of FIG. 2.

FIG. 6 is a top plan view of the wrench of FIG. 2.

FIG. 7 is a bottom plan view of the wrench of FIG. 2.

FIG. 8 is a front elevation view of the wrench of FIG. 2.

FIG. 9 is a rear elevation view of the wrench of FIG. 2.

FIG. 10 is an isometric cross-sectional view of the wrench of FIG. 9 taken at "10-10."

FIG. 11 is an isometric top right view of the wrench of FIG. 2 in a second configuration showing our new design.

FIG. 12 is an isometric bottom view of FIG. 11.

FIG. 13 is a left elevation view of FIG. 11.

FIG. 14 is a right elevation view of FIG. 11.

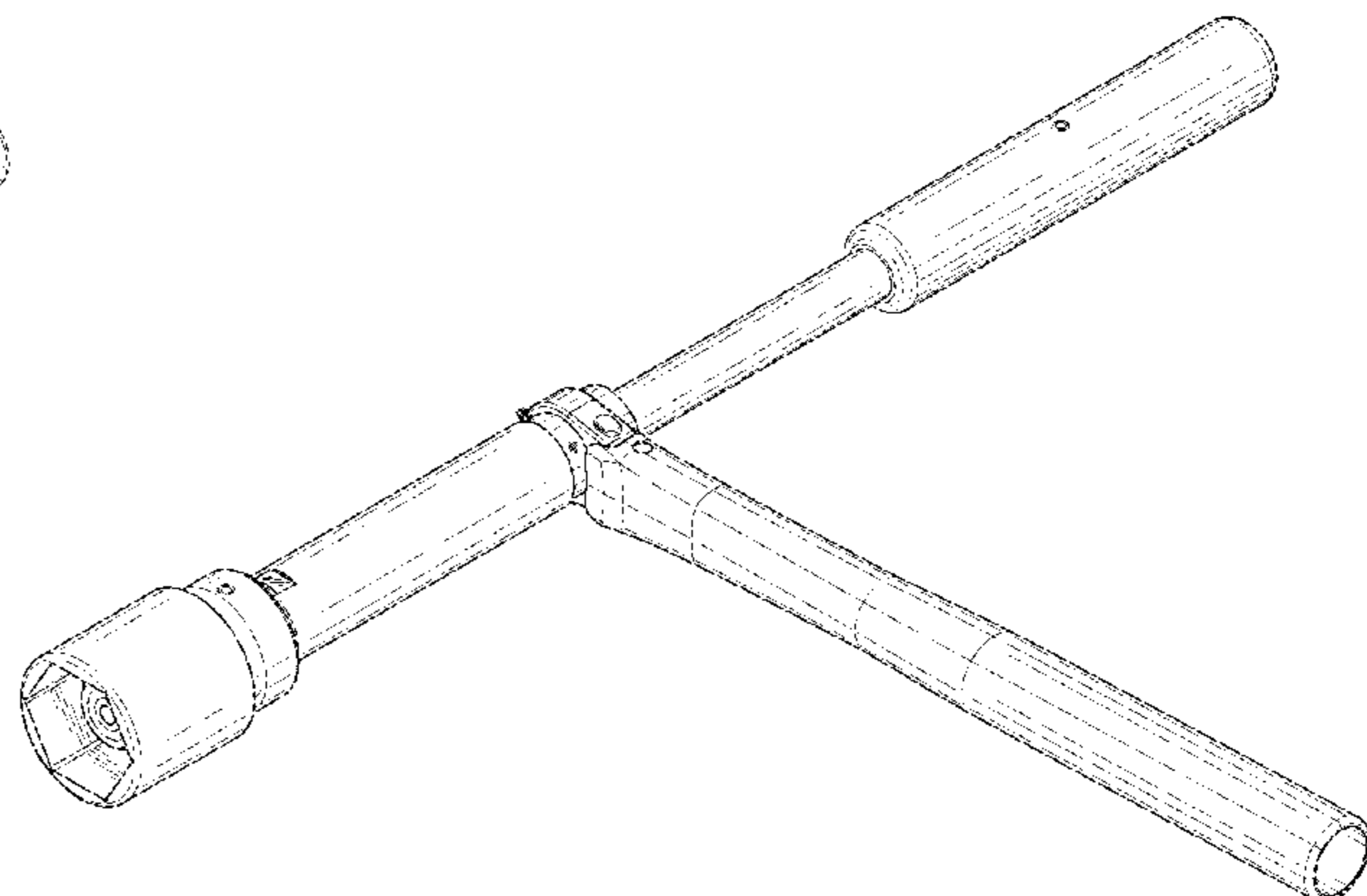
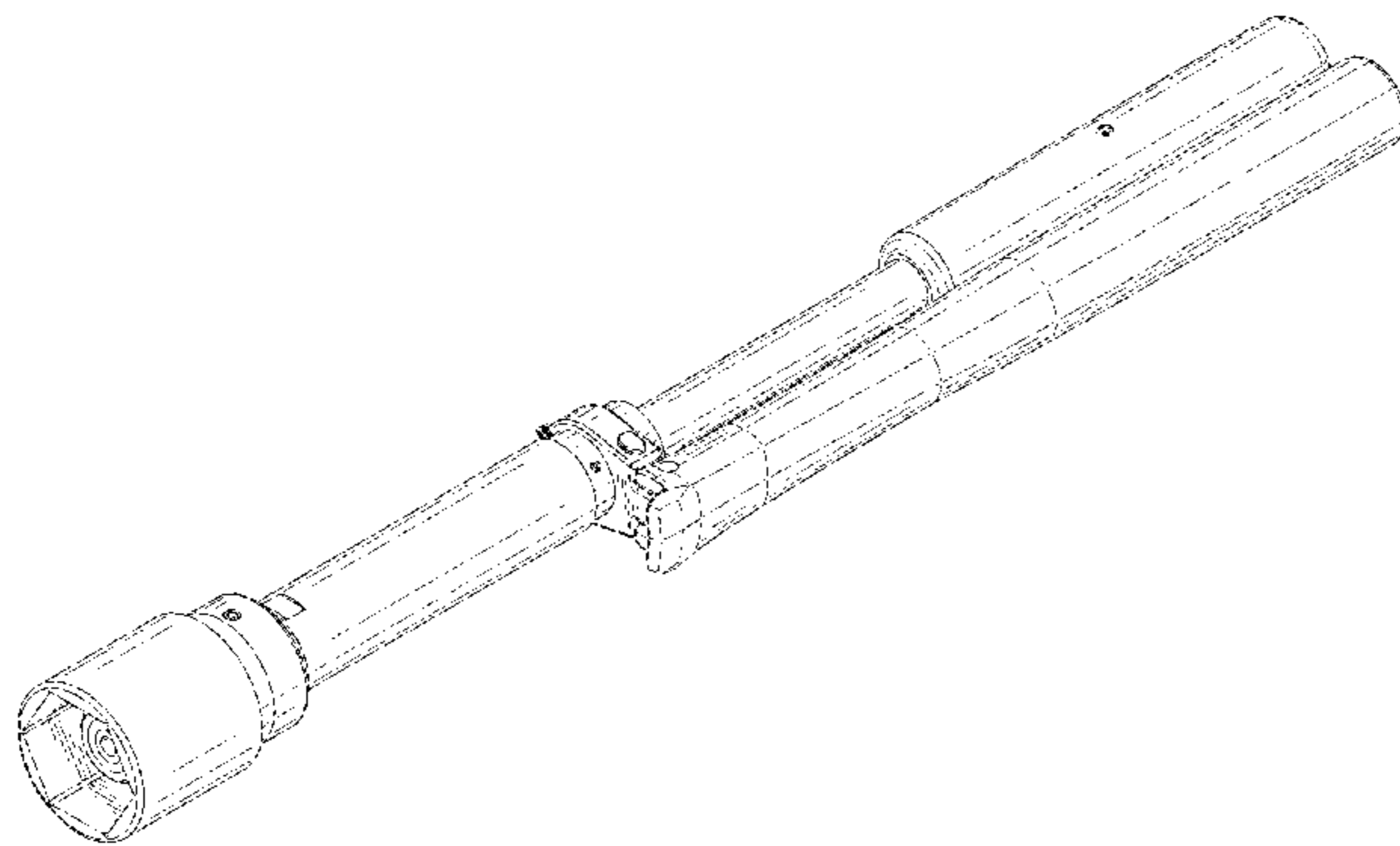
FIG. 15 is a top plan view of the wrench of FIG. 11.

FIG. 16 is a bottom plan view of the wrench of FIG. 11.

FIG. 17 is a front elevation view of the wrench of FIG. 11; and,

FIG. 18 is a rear elevation view of the wrench of FIG. 11.

**1 Claim, 13 Drawing Sheets**



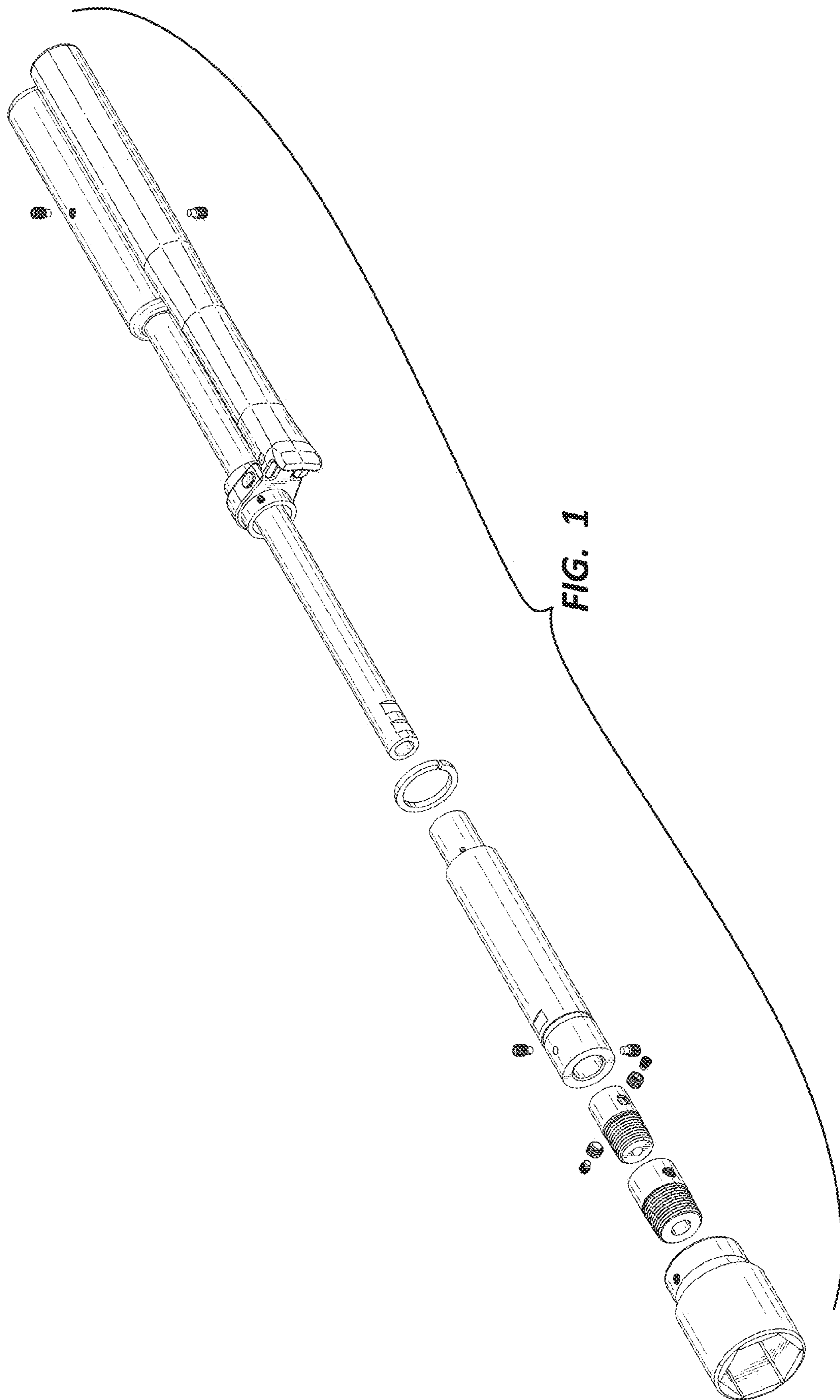
(56)

References Cited

U.S. PATENT DOCUMENTS

3,650,165	A *	3/1972	Wolfe	.....	B25B 13/463	81/58.1
3,850,056	A *	11/1974	Allen	.....	B25G 1/066	81/439
4,007,651	A *	2/1977	Scott	.....	B25B 23/00	81/184
D276,127	S *	10/1984	Lee	.....	D8/84	
D375,666	S *	11/1996	Mountain	.....	D8/25	
5,765,454	A *	6/1998	Barbulescu	.....	B25G 3/26	81/177.1
5,855,150	A *	1/1999	Otero	.....	B25G 1/063	81/125
D433,910	S *	11/2000	Oliver	.....	D8/83	
6,311,587	B1 *	11/2001	Johnson	.....	B25G 1/08	81/177.4
6,374,708	B1 *	4/2002	Kunz	.....	B25B 13/5091	81/124.2
7,069,823	B1 *	7/2006	Howell	.....	B25B 15/02	81/177.1
7,287,450	B1 *	10/2007	Liao	.....	B25B 15/02	81/177.9
7,311,018	B1 *	12/2007	Liou	.....	B25G 1/005	81/177.5
D603,677	S *	11/2009	Hi	.....	D8/83	
7,722,206	B2 *	5/2010	Anderson	.....	B26B 11/008	362/109
7,788,996	B2 *	9/2010	Johnson	.....	B25F 1/02	81/177.4
D687,696	S *	8/2013	Nieto	.....	D8/84	
D725,983	S *	4/2015	Huang	.....	D8/82	
10,315,302	B2 *	6/2019	Lin	.....	B25G 1/063	
D895,385	S *	9/2020	Chen	.....	D8/29	
2003/0136234	A1 *	7/2003	Cunningham	.....	B25G 1/066	81/177.4
2004/0231471	A1 *	11/2004	Rottkamp	.....	B25G 1/005	81/177.5
2005/0011318	A1 *	1/2005	Tsai	.....	B25G 1/085	81/177.2
2021/0001459	A1 *	1/2021	Tsai	.....	B25B 23/0042	
2023/0249323	A1 *	8/2023	Lee	.....	B25B 13/06	81/124.7

\* cited by examiner



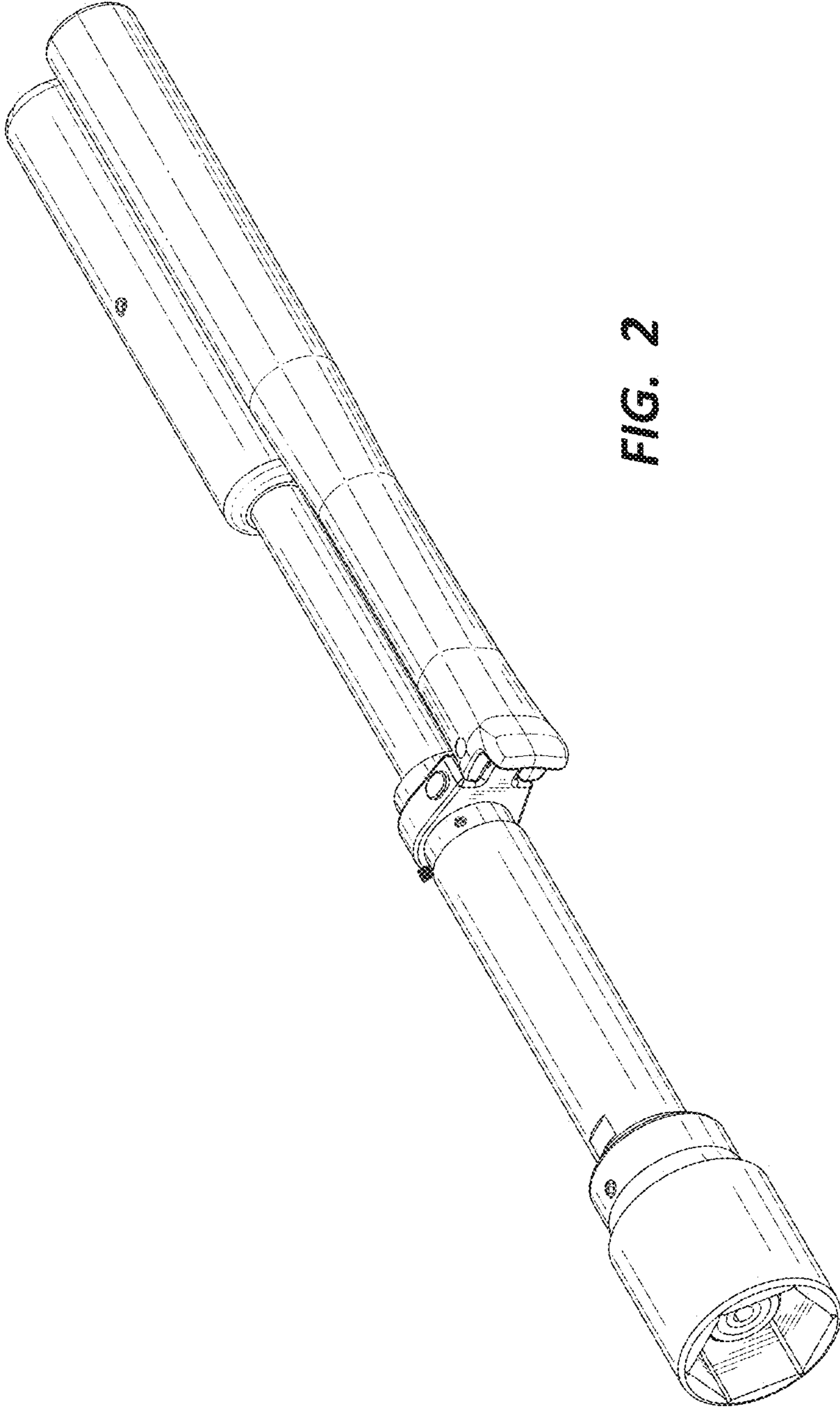


FIG. 2

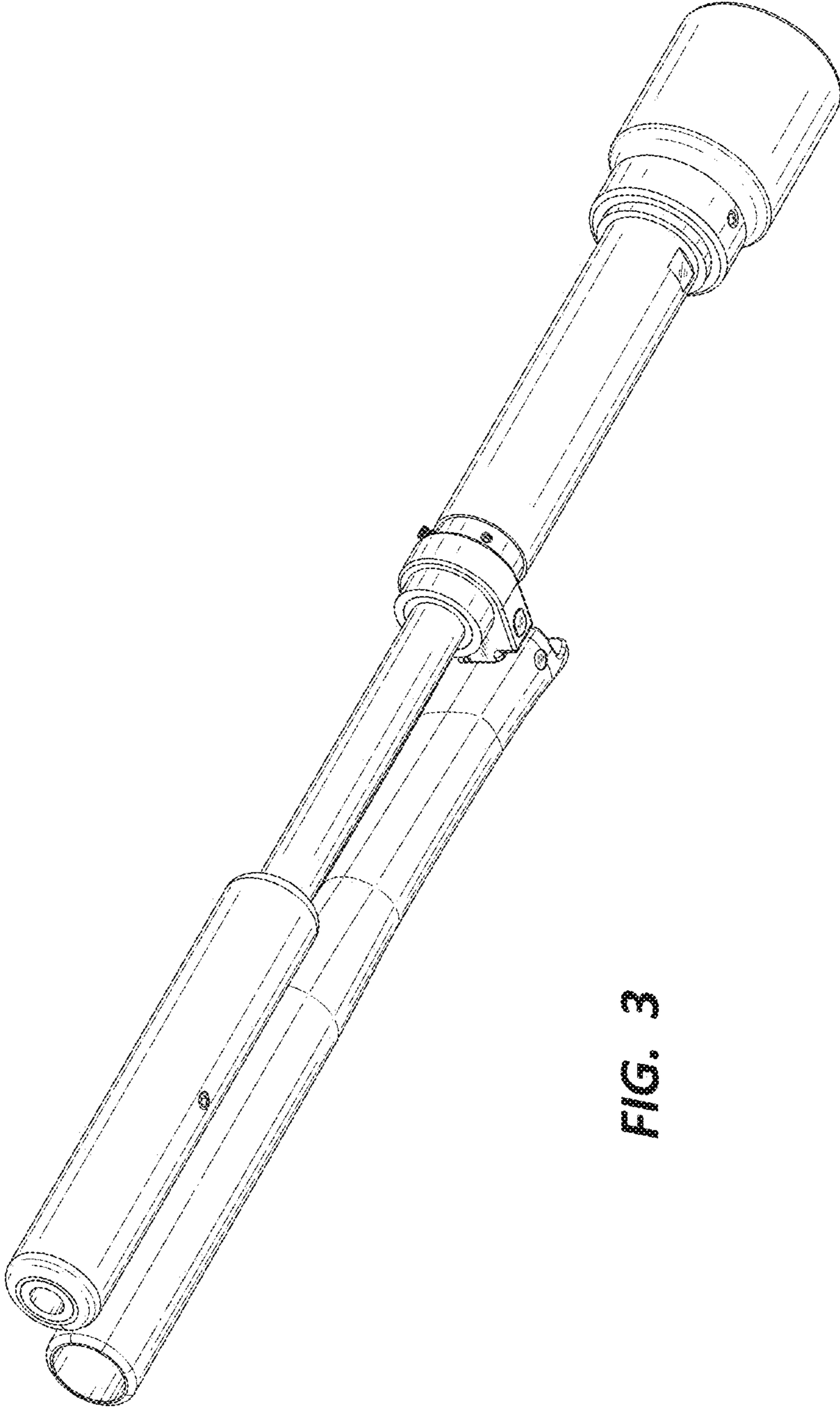


FIG. 3

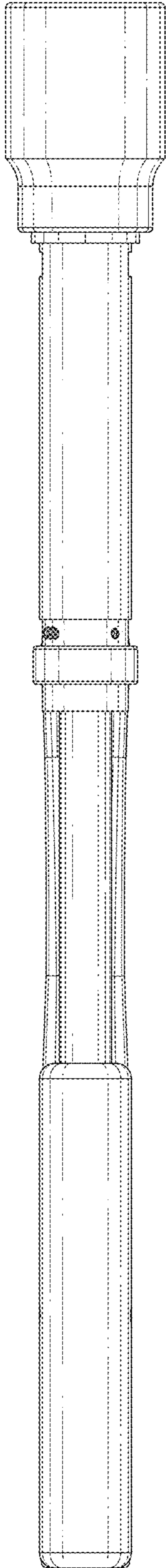


FIG. 4

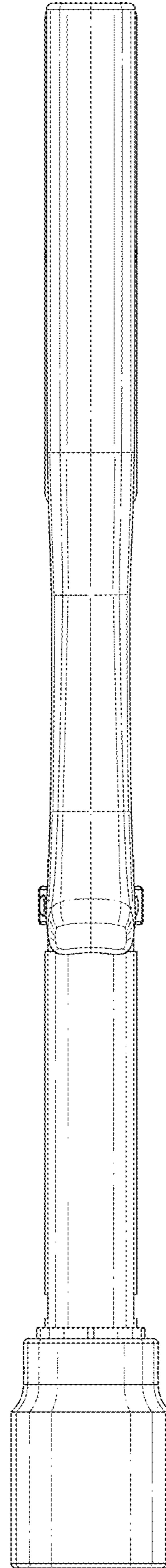


FIG. 5

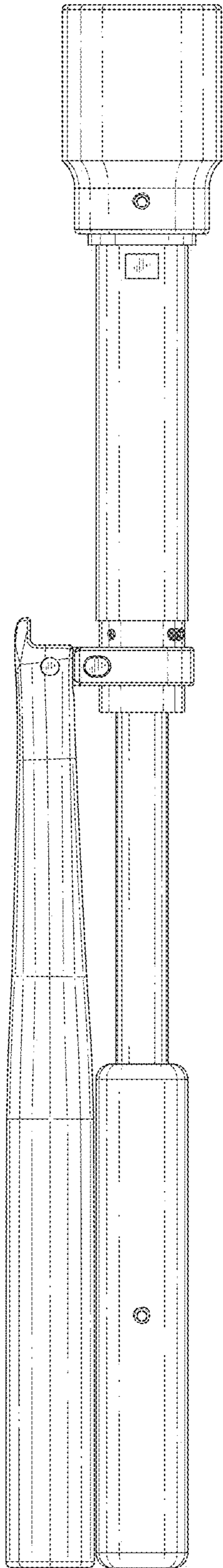


FIG. 6

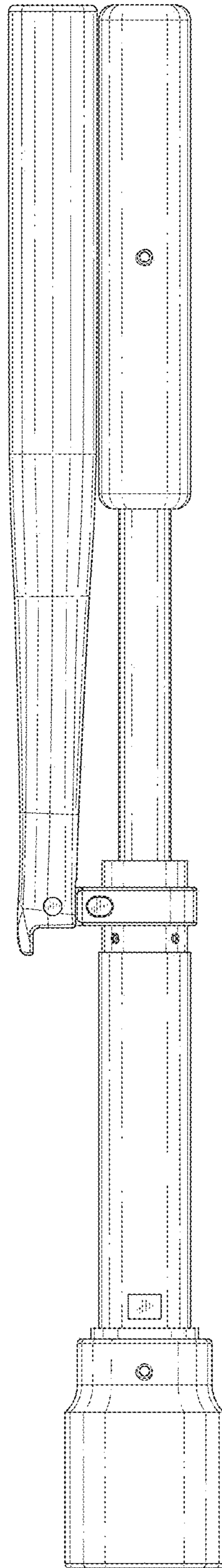


FIG. 7

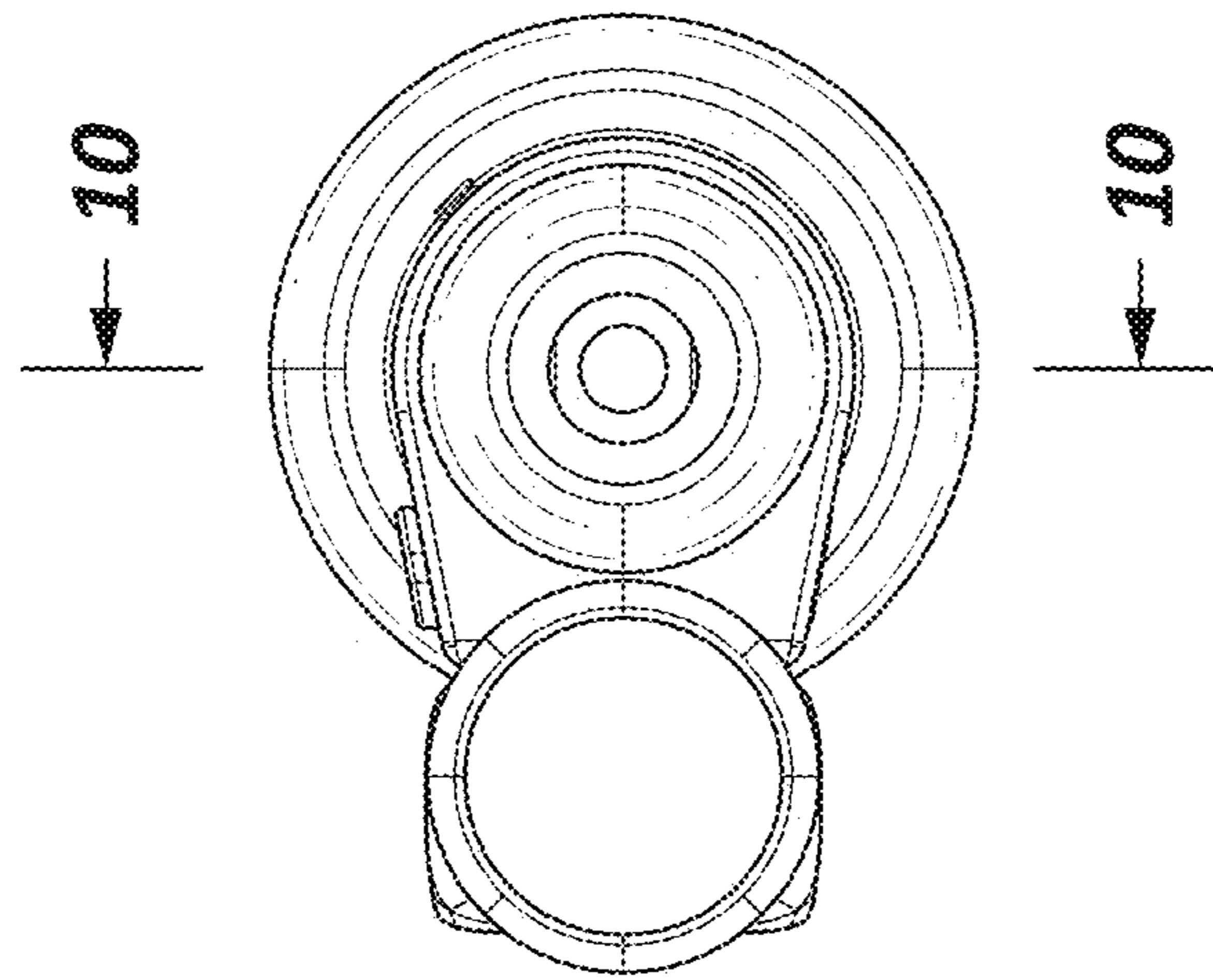


FIG. 8

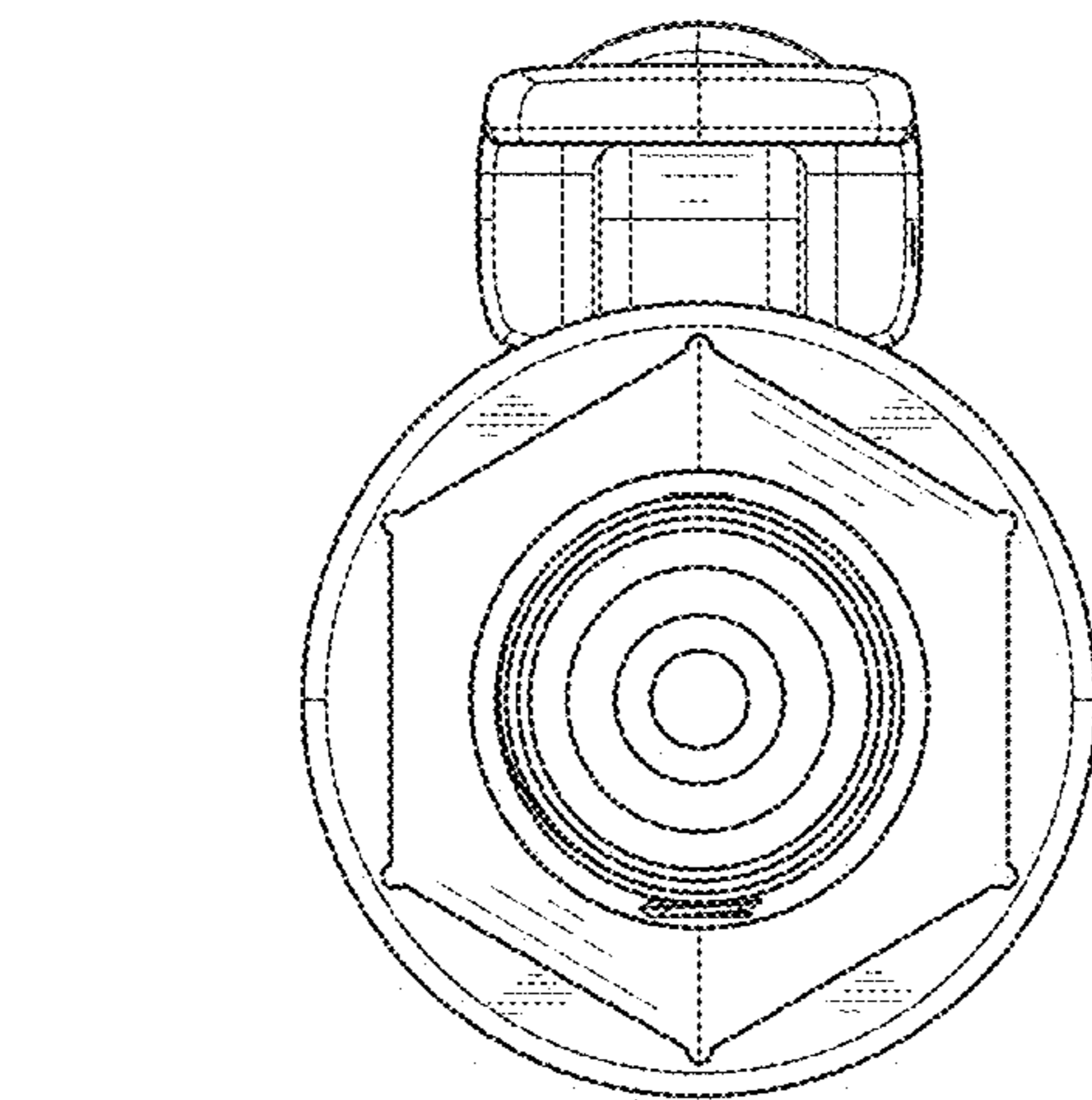


FIG. 9



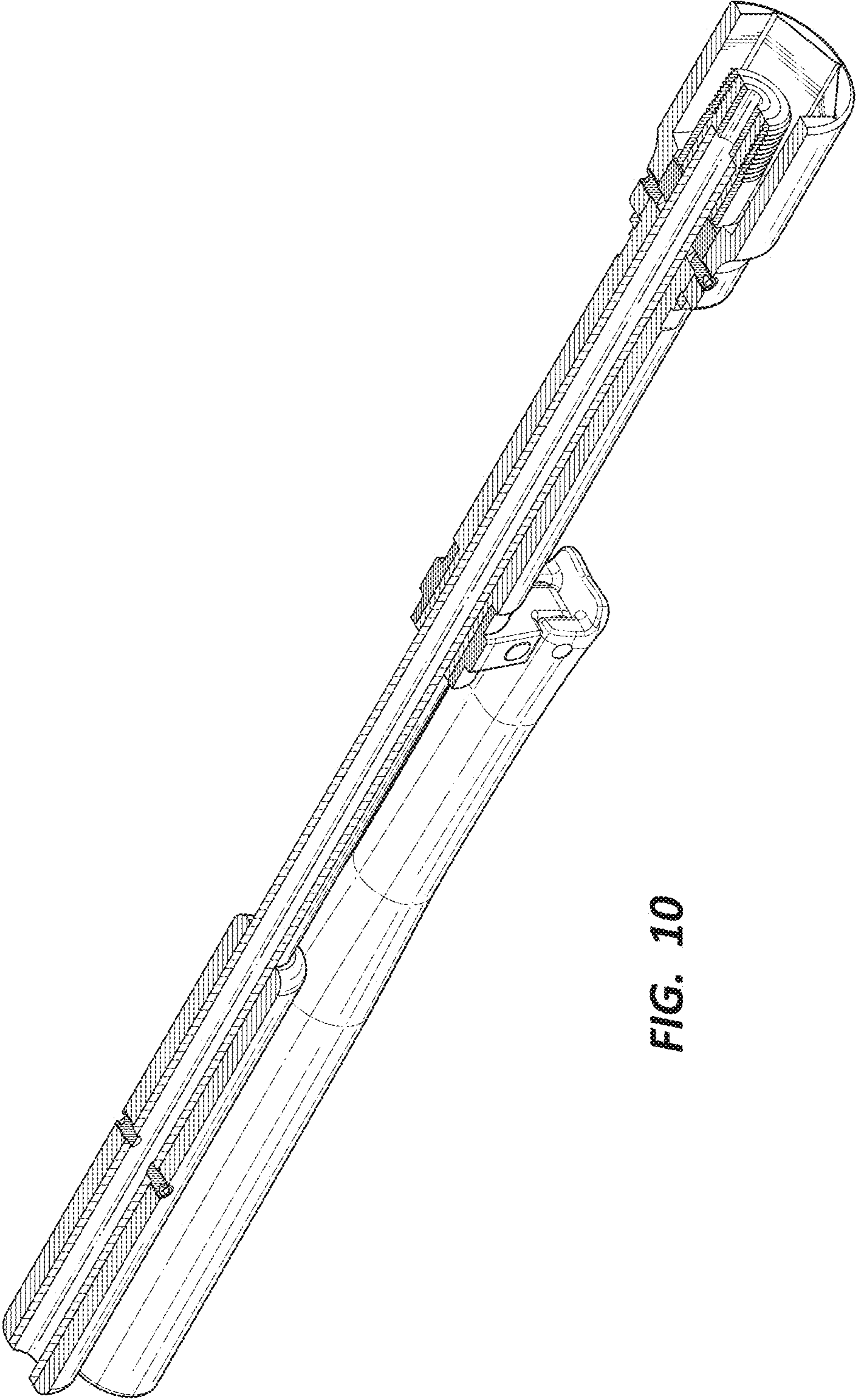


FIG. 10

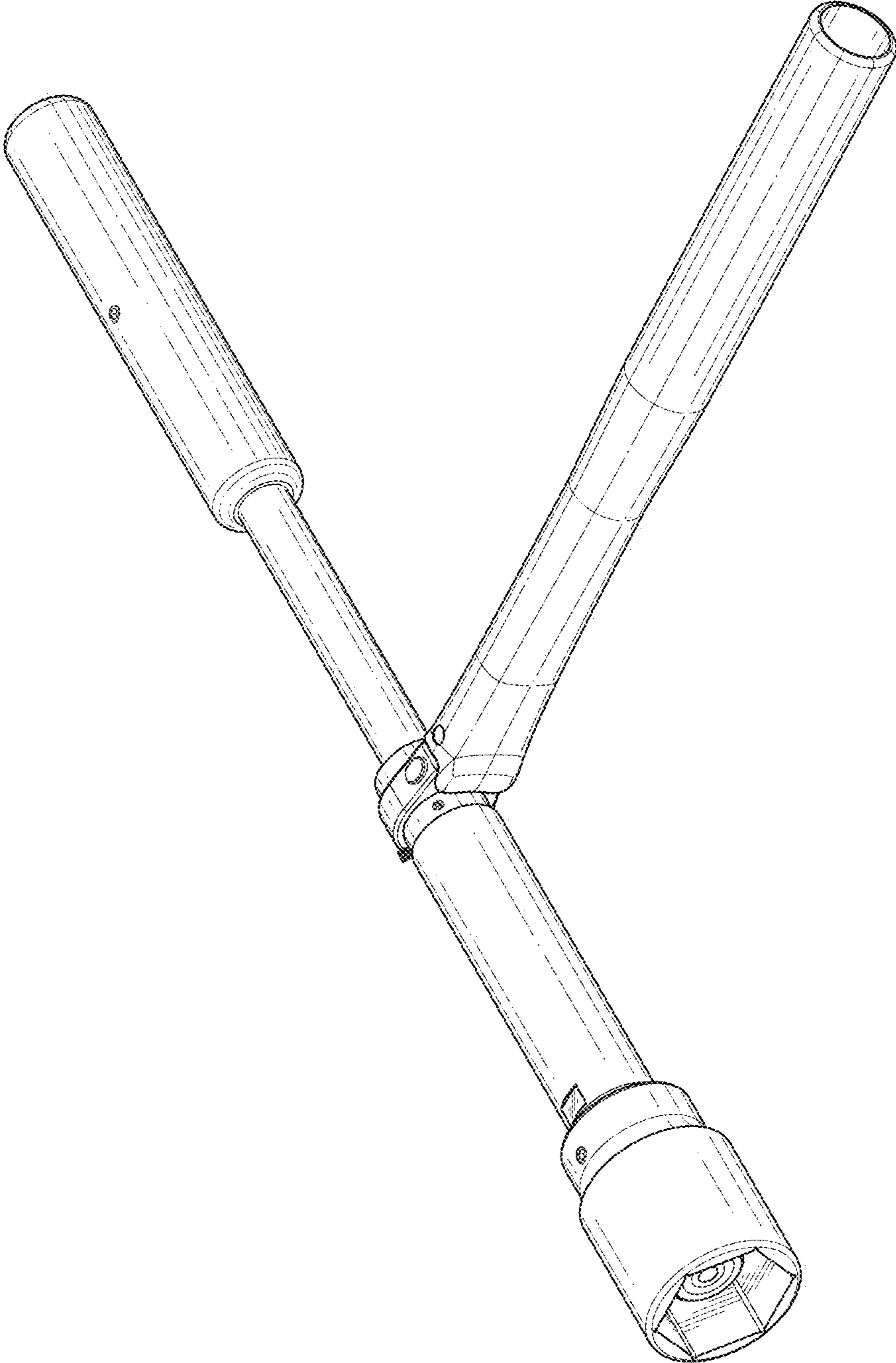


FIG. 11

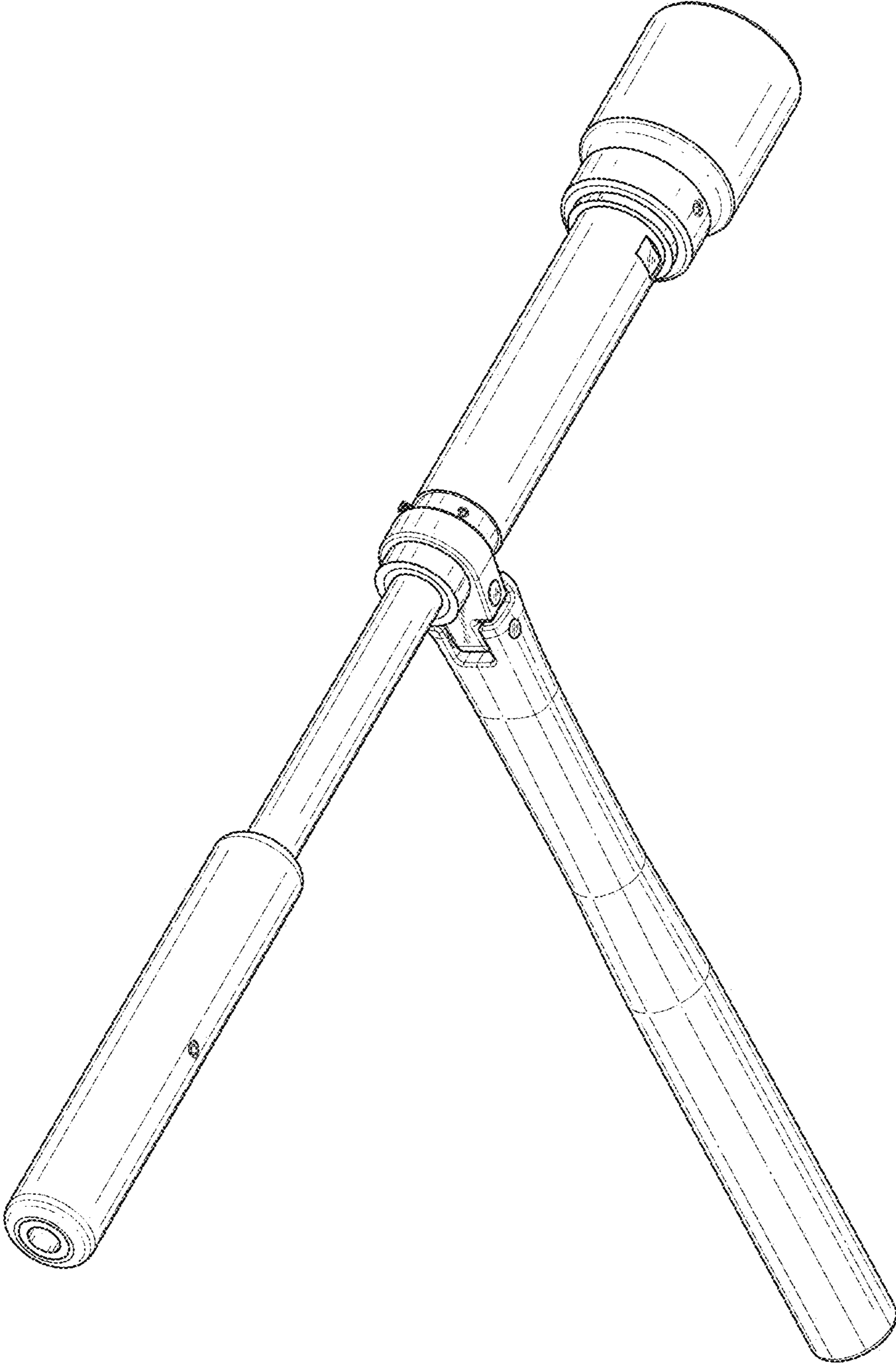
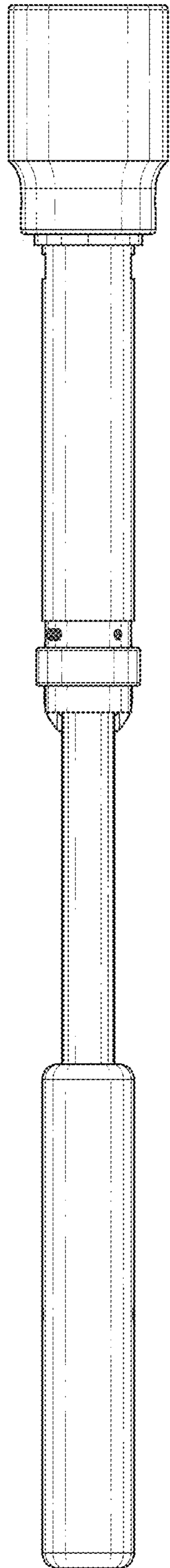
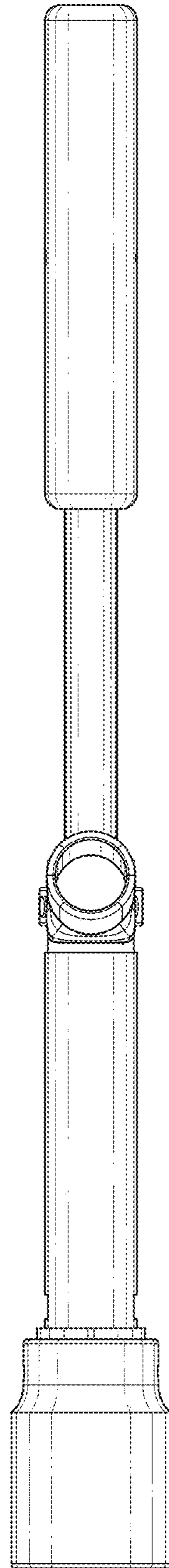


FIG. 12



**FIG. 13**



**FIG. 14**

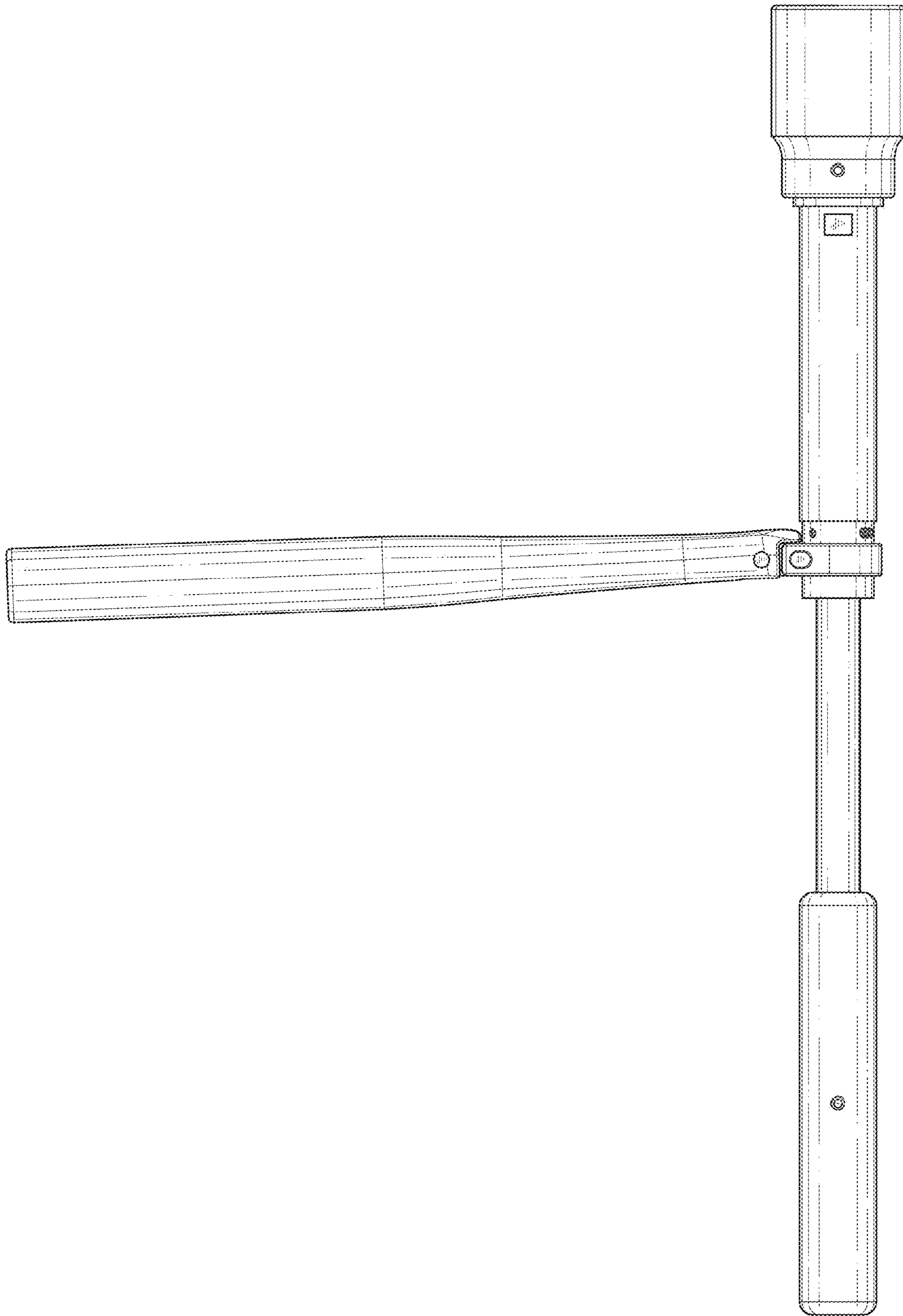


FIG. 15

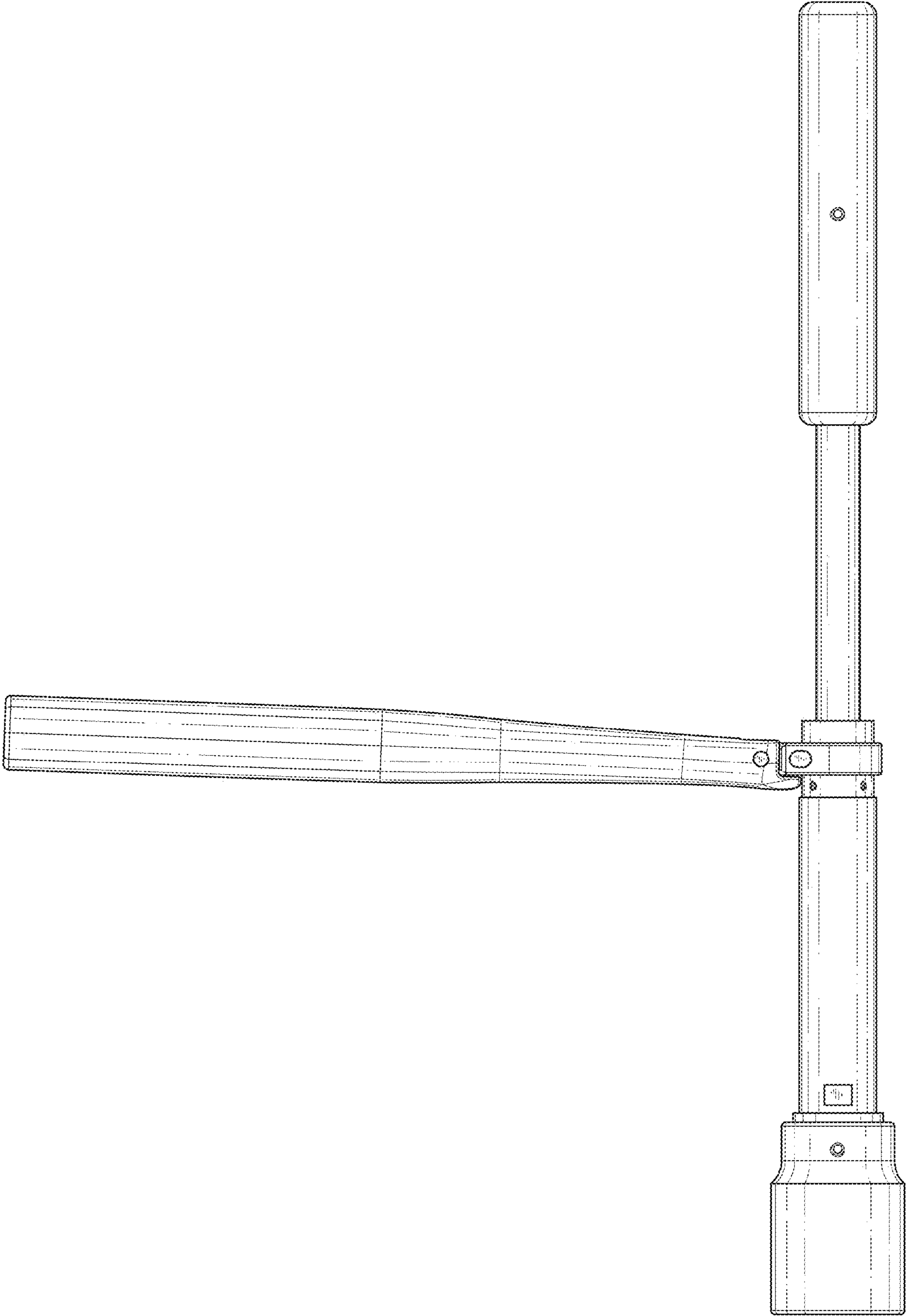
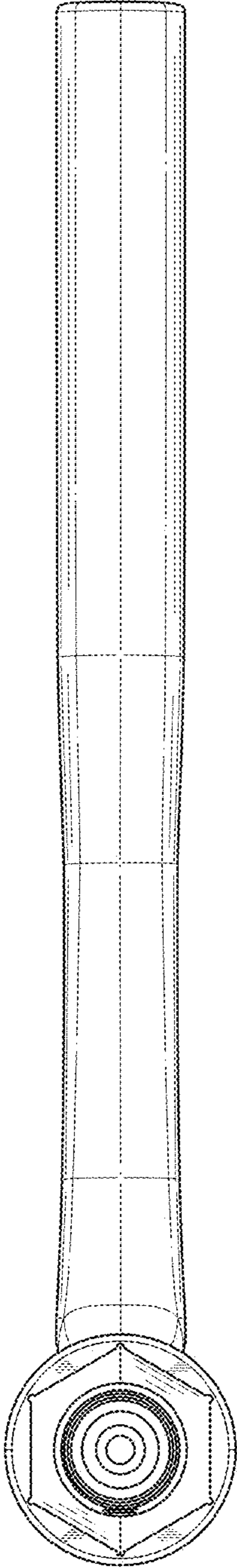
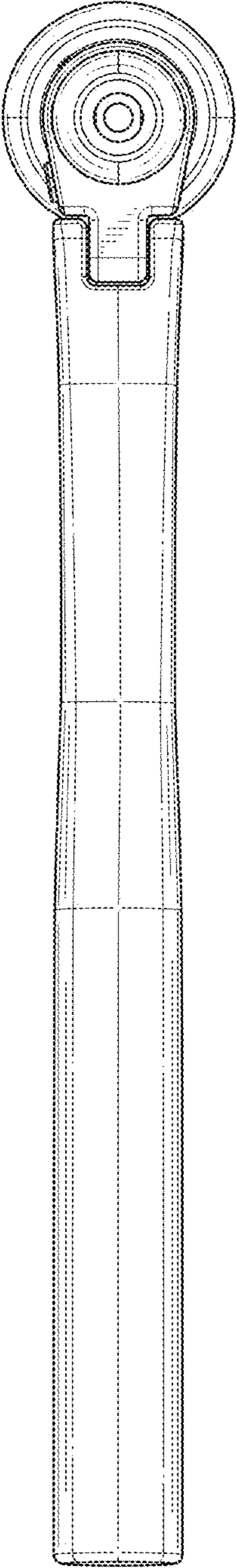


FIG. 16



**FIG. 17**



**FIG. 18**