



US0D1006516S

(12) **United States Design Patent** (10) **Patent No.:** **US D1,006,516 S**
Salus (45) **Date of Patent:** **** Dec. 5, 2023**

(54) **BED**
(71) Applicant: **LINET SPOL. S R.O.**, Slany (CZ)
(72) Inventor: **Michal Salus**, Roudnice nad Labem (CZ)
(73) Assignee: **LINET SPOL. S R.O.**, Slany (CZ)
(**) Term: **15 Years**

D770,824 S * 11/2016 O'Neal D6/392
D825,973 S * 8/2018 O'Neal D6/718.3
2004/0177443 A1* 9/2004 Simmonds A61G 7/05769
5/428
2005/0172405 A1* 8/2005 Menkedick A61G 7/002
5/713
2006/0107460 A1* 5/2006 Wiggins A61G 7/0514
5/430

(Continued)

(21) Appl. No.: **29/803,251**
(22) Filed: **Aug. 11, 2021**

FOREIGN PATENT DOCUMENTS

CN 303651661 * 4/2016
EM 007059704-0004 * 10/2019

(30) **Foreign Application Priority Data**

Feb. 11, 2021 (EM) 008432090-0001
Feb. 11, 2021 (EM) 008432090-0002
Feb. 11, 2021 (EM) 008432090-0003
Feb. 11, 2021 (EM) 008432090-0004

OTHER PUBLICATIONS

Generic, "Medical Hospital ICU Bed", first available Jan. 8, 2021
https://www.amazon.ca/Medical-Hospital-Electric-Adjustable-GM-7006/dp/B08T9X1WV7/ref=sr_1_148?crd=318PK4DL6YBEQ&keywords=hospital+bed&qid=1684884983&sprefix=hospital+bed%2Caps%2C115&sr=8-148 (Year: 2021).*

(Continued)

(51) **LOC (14) Cl.** **06-06**
(52) **U.S. Cl.**
USPC **D6/718**; D6/718.3
(58) **Field of Classification Search**
USPC D6/382, 390, 391, 392, 718, 718.13,
D6/718.3; D24/183, 184
CPC A47C 17/04; A47C 21/08; A61G 7/00;
A61G 7/0507; A61G 7/0514; A61G 7/015
See application file for complete search history.

Primary Examiner — Bao-Yen T Nguyen
Assistant Examiner — Jessica Ruth Grable
(74) *Attorney, Agent, or Firm* — Thedford I. Hitaffer;
Hitaffer & Hitaffer, PLLC

(57) **CLAIM**

The ornamental design for a bed, as shown and described.

(56) **References Cited**

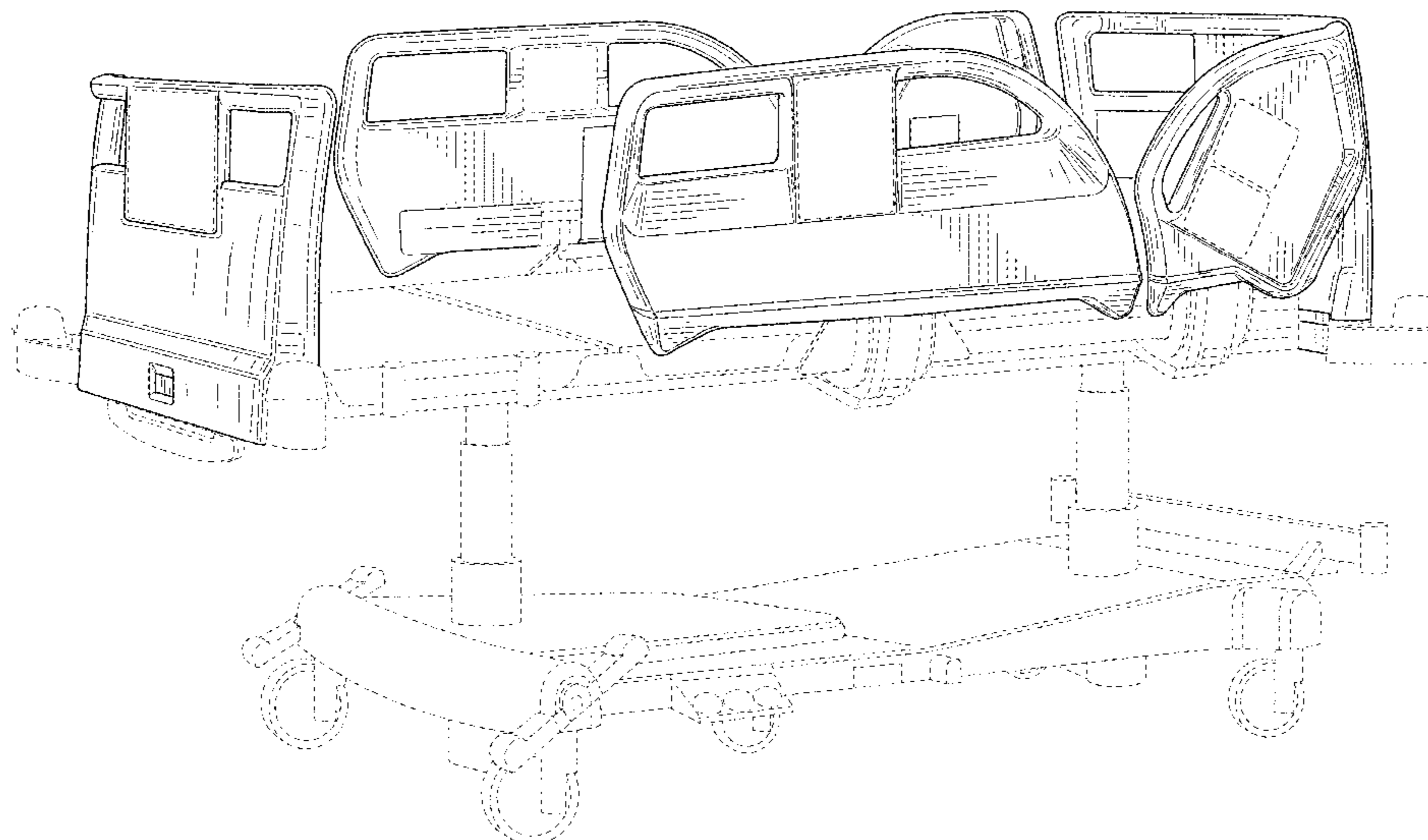
U.S. PATENT DOCUMENTS

D336,577 S * 6/1993 Celestina D6/718.3
8,621,688 B2 * 1/2014 Andrienko A61G 7/015
5/426
8,677,535 B2 * 3/2014 Turner A61G 7/053
5/602
D707,480 S * 6/2014 Heimbrock D6/392
8,745,786 B2 * 6/2014 Andrienko A61G 7/0524
5/426
D710,507 S * 8/2014 Leng D24/183

DESCRIPTION

FIG. 1 is a front perspective view of a bed.
FIG. 2 is a front elevational view thereof.
FIG. 3 is a rear elevational view thereof.
FIG. 4 is a top plan view thereof.
FIG. 5 is a right side elevational view thereof; and,
FIG. 6 is a left side elevational view thereof.
The broken lines represent portions of the bed and form no part of the claimed design.

1 Claim, 6 Drawing Sheets



(56)

References Cited

U.S. PATENT DOCUMENTS

2007/0180624 A1* 8/2007 Newkirk A61G 7/0507
5/663
2011/0010852 A1* 1/2011 Heimbrock A61M 16/0003
5/425
2011/0010854 A1* 1/2011 Zerhusen A61G 7/0507
29/402.01
2011/0247135 A1* 10/2011 Herman A61G 7/0507
5/425
2011/0247137 A1* 10/2011 Herman A61G 7/018
5/503.1
2011/0248672 A1* 10/2011 Herman A61G 7/0507
320/108
2012/0110735 A1* 5/2012 Andrienko A61G 7/0507
5/430
2012/0144587 A1* 6/2012 Andrienko A61G 7/015
5/618
2013/0117934 A1* 5/2013 Heimbrock A61G 7/0514
5/430
2013/0253291 A1* 9/2013 Dixon A61B 90/98
600/323
2016/0058640 A1* 3/2016 Morin A61G 7/0507
5/430
2019/0029900 A1* 1/2019 Walton A61G 7/015
2019/0183702 A1* 6/2019 Derenne A61G 7/0506

OTHER PUBLICATIONS

HopeFull Store, "Fully Electric ICU Hospital Bed", first available
Jul. 11, 2018 <https://www.amazon.com/Hopefull-Function-Electric-Hospital-Mattress/dp/B083PZ7JFN> (Year: 2018).*

* cited by examiner

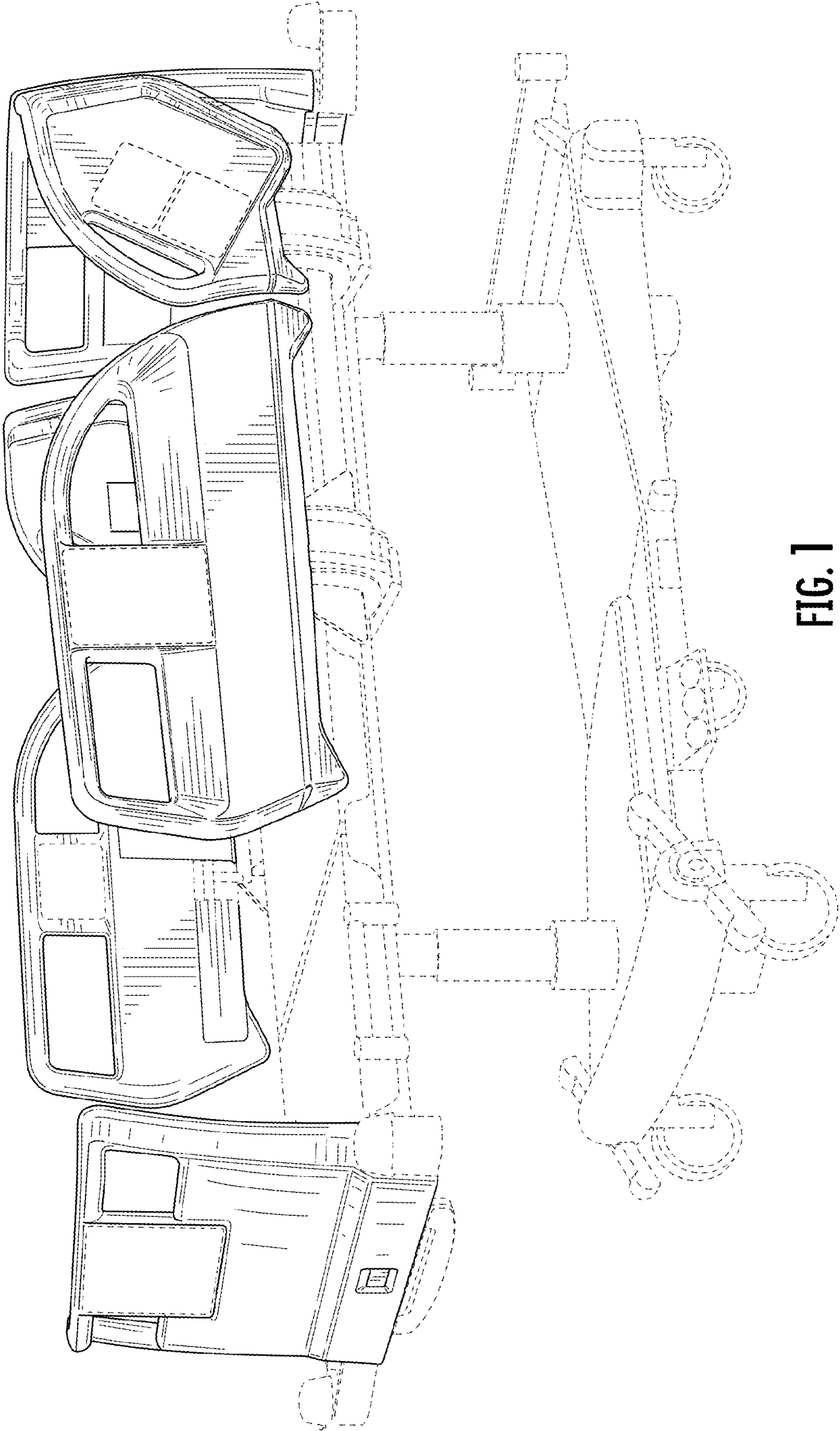


FIG. 1

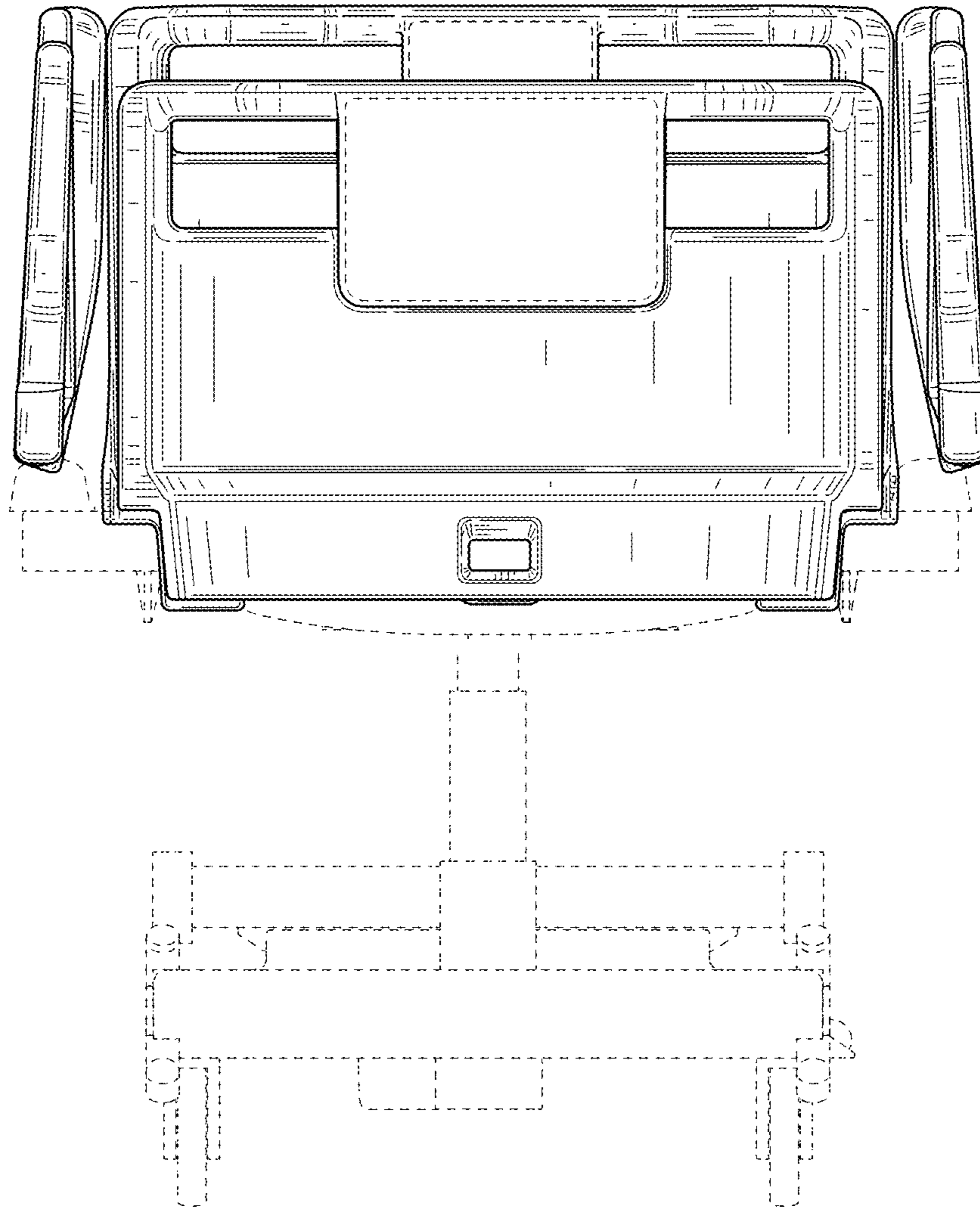


FIG. 2

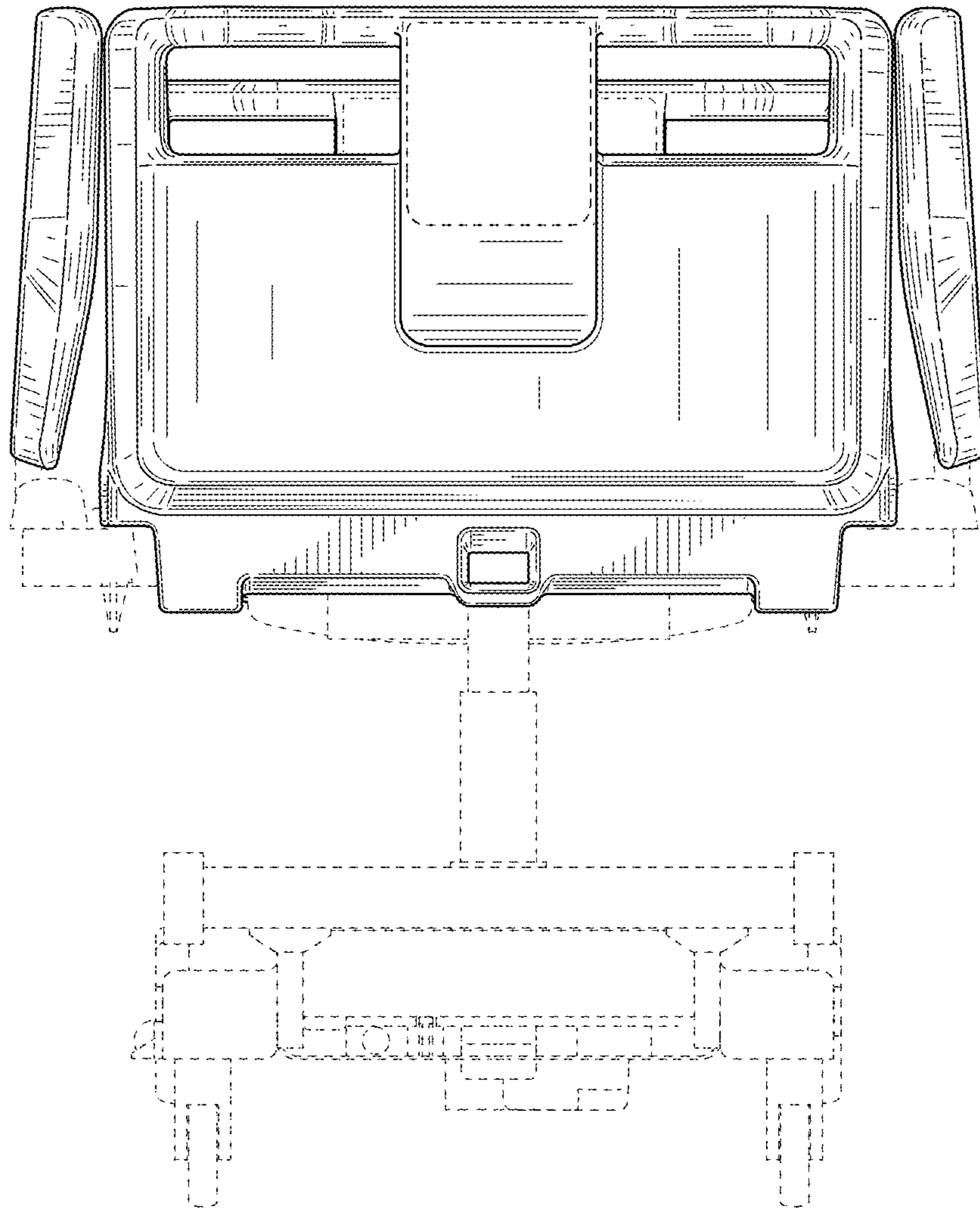


FIG. 3

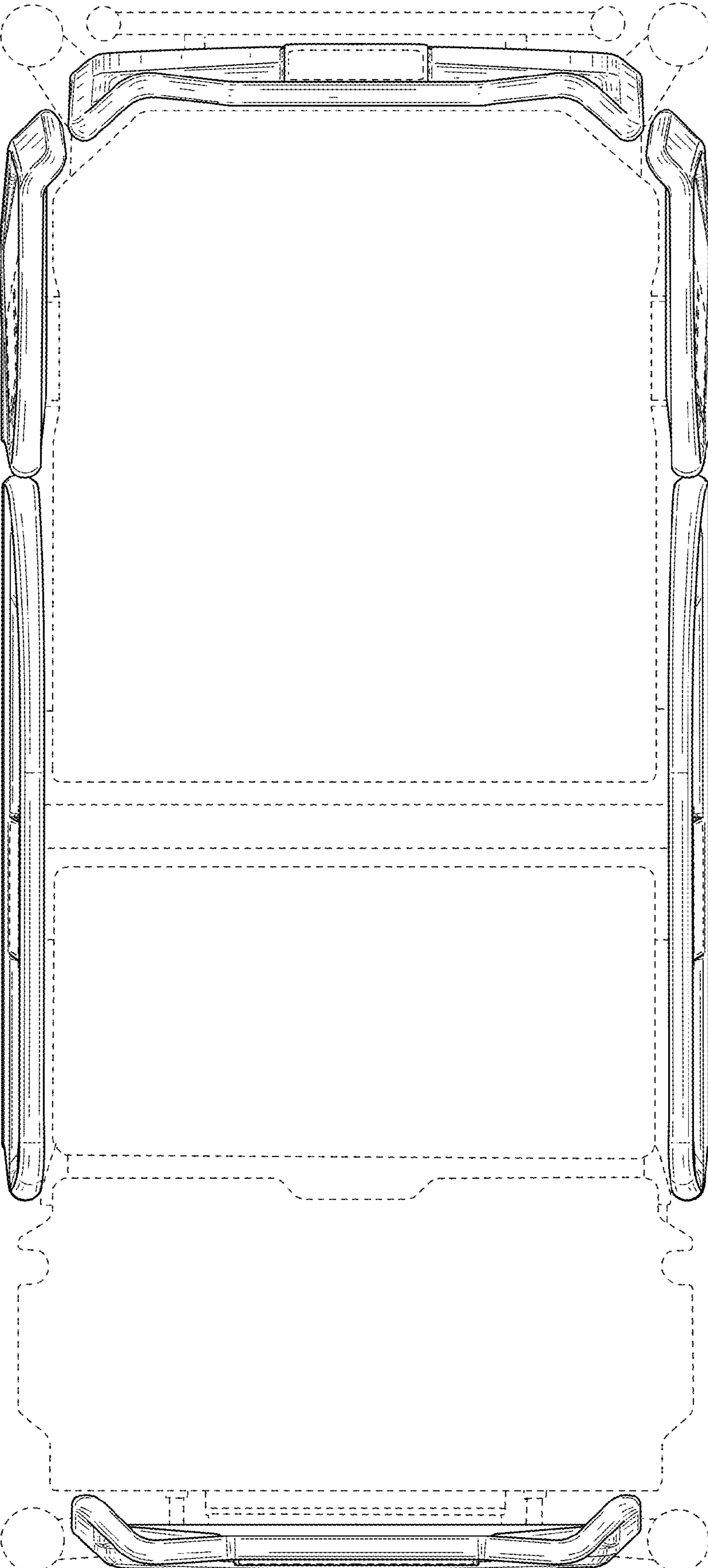


FIG. 4

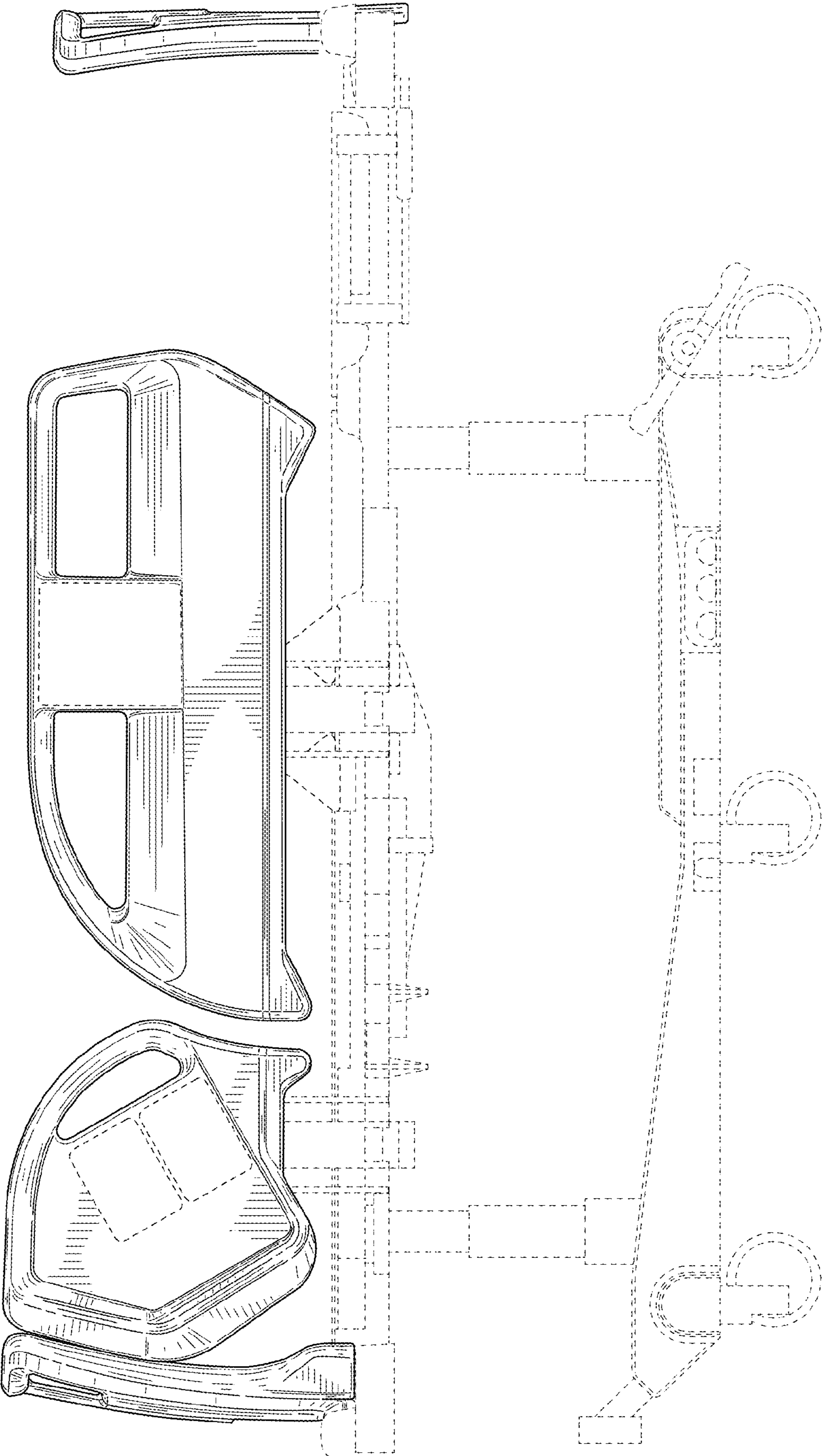


FIG. 5

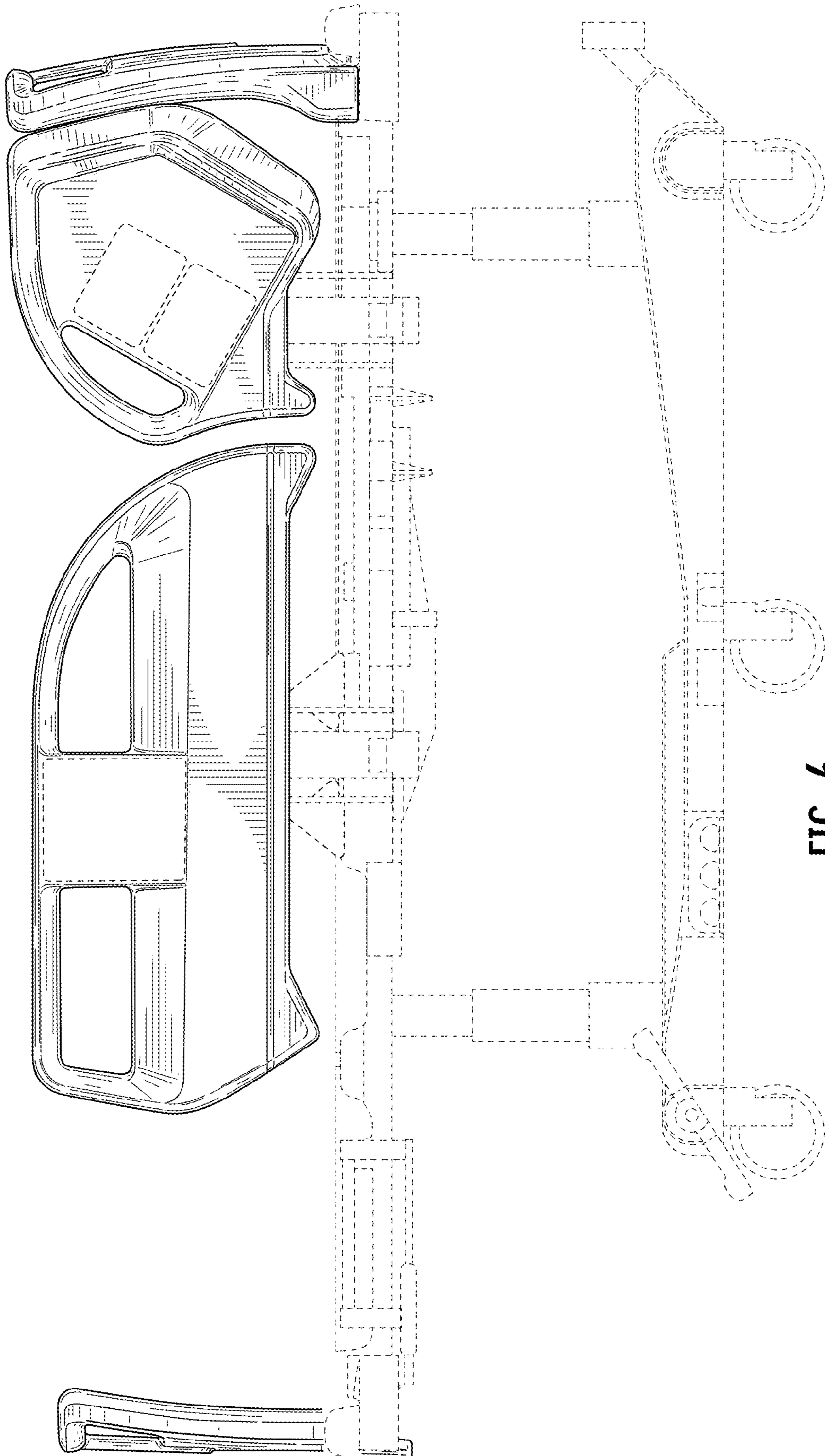


FIG. 6