



US0D1006451S

(12) **United States Design Patent** (10) **Patent No.:** **US D1,006,451 S**  
**Gong** (45) **Date of Patent:** **\*\* Dec. 5, 2023**

(54) **COMBINATION COMB AND COMB COVER**

(71) Applicant: **Shenzhen Jingrui Technology Co., Ltd.**, Shenzhen (CN)

(72) Inventor: **Zhen Gong**, Shenzhen (CN)

(\*\*) Term: **15 Years**

(21) Appl. No.: **29/778,547**

(22) Filed: **Apr. 14, 2021**

(30) **Foreign Application Priority Data**

Nov. 10, 2020 (CN) ..... 202030679561.5

(51) **LOC (14) Cl.** ..... **28-03**

(52) **U.S. Cl.**  
USPC ..... **D4/101**

(58) **Field of Classification Search**

USPC ..... D4/100, 102, 114, 116, 127, 128, 129,  
D4/130, 131, 132, 133, 134, 135, 136,  
D4/137, 138, 199; D30/158

CPC ..... A46B 7/06; A46B 9/023; A46B 2200/104  
See application file for complete search history.

(56) **References Cited**

**U.S. PATENT DOCUMENTS**

D101,591 S	*	10/1936	Reilly	.....	D4/127
D357,810 S	*	5/1995	Evans	.....	D4/114
D452,044 S	*	12/2001	Goetschi	.....	D28/7
D476,160 S	*	6/2003	Choi	.....	D4/133
D485,990 S	*	2/2004	Wallace	.....	D4/115
D547,067 S	*	7/2007	Choi	.....	D4/114
D595,964 S	*	7/2009	Choi	.....	D4/114
D600,025 S	*	9/2009	Hill	.....	D32/45
D601,806 S	*	10/2009	Choi	.....	D4/114
D601,807 S	*	10/2009	Choi	.....	D4/114
D919,299 S	*	5/2021	Jin	.....	D4/134

**FOREIGN PATENT DOCUMENTS**

GB	2043687	*	3/1995
JP	D1648188	*	12/2019

\* cited by examiner

*Primary Examiner* — Karen E Eldridge Powers

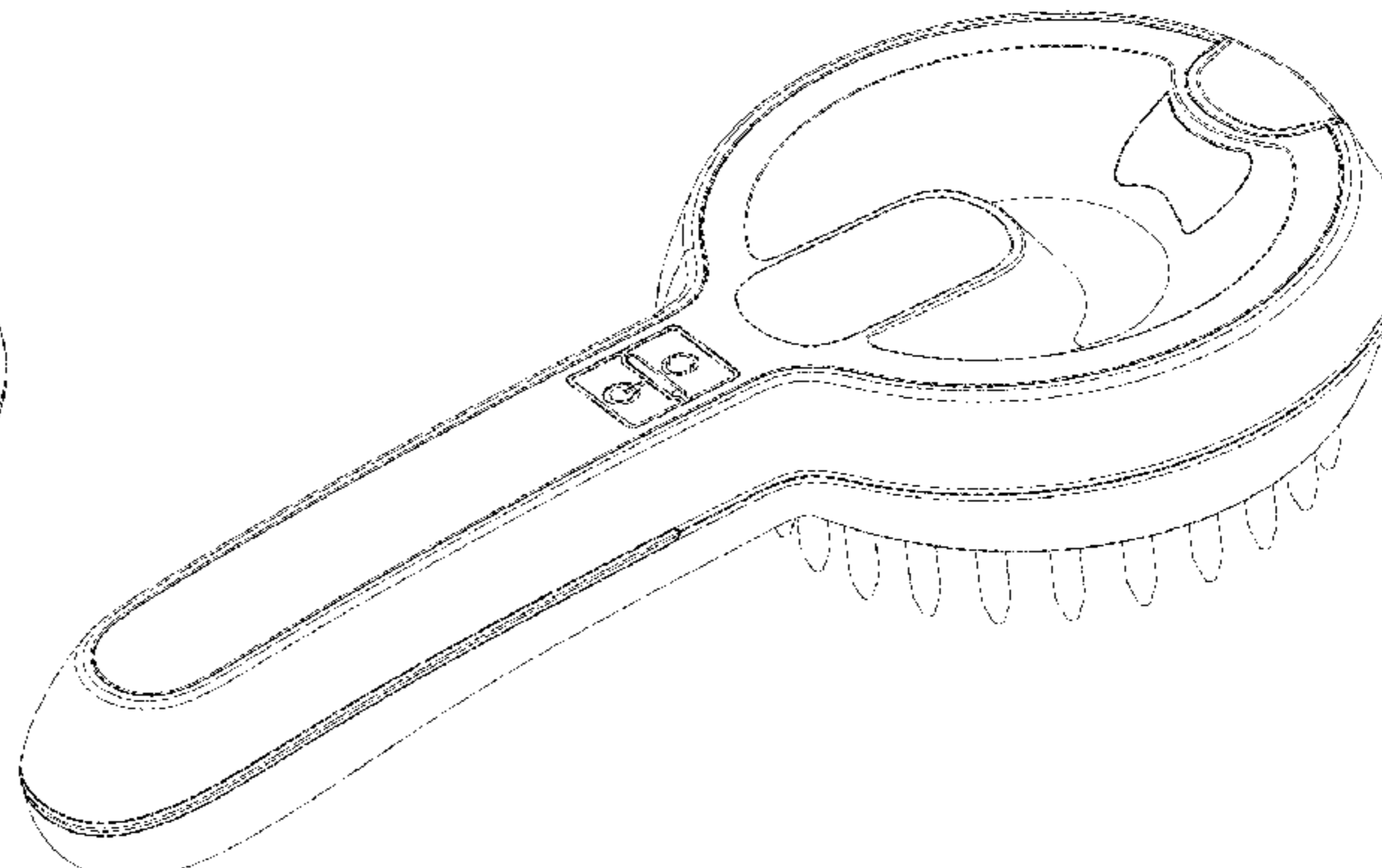
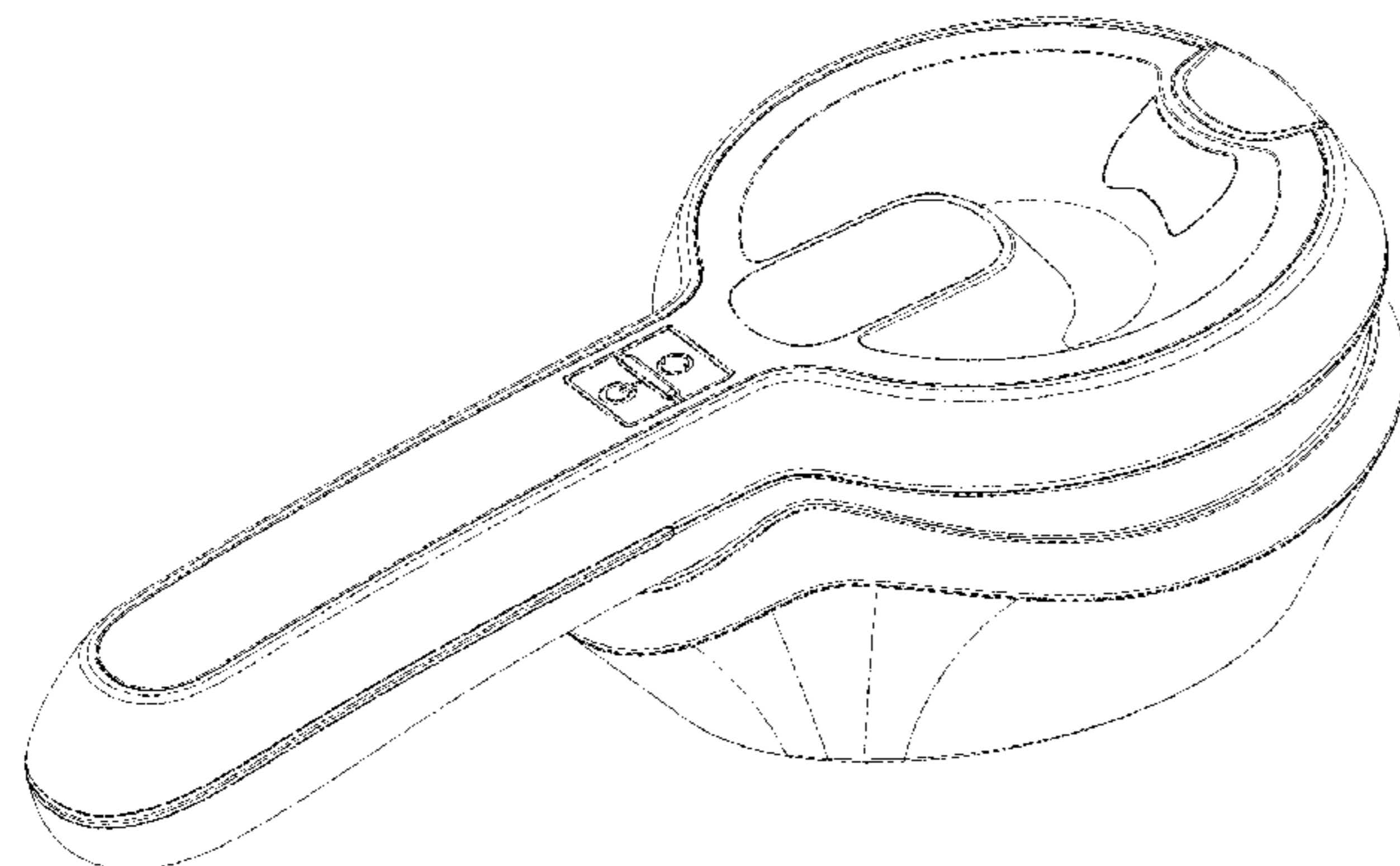
(57) **CLAIM**

The ornamental design for a combination comb and comb cover, as shown and described.

**DESCRIPTION**

FIG. 1 is a front elevational view of a combination comb and comb cover showing my new design with the comb body and a cover thereof assembled together;  
 FIG. 2 is a rear elevational view thereof;  
 FIG. 3 is a left side view thereof;  
 FIG. 4 is a right side view thereof;  
 FIG. 5 is an enlarged top plan view thereof;  
 FIG. 6 is an enlarged bottom plan view thereof;  
 FIG. 7 is a perspective view thereof;  
 FIG. 8 is another perspective view thereof;  
 FIG. 9 is a front elevational view of the comb body alone, the cover being omitted for the purpose of clearer illustration;  
 FIG. 10 is a rear elevational view of FIG. 9;  
 FIG. 11 is a left side view of FIG. 9;  
 FIG. 12 is a right side view of FIG. 9;  
 FIG. 13 is an enlarged top plan view of FIG. 9;  
 FIG. 14 is an enlarged bottom plan view of FIG. 9;  
 FIG. 15 is a perspective view of FIG. 9;  
 FIG. 16 is another perspective view of FIG. 9;  
 FIG. 17 is an enlarged front elevational view of the cover alone, the comb body being omitted for the purpose of clearer illustration;  
 FIG. 18 is an enlarged rear elevational view of FIG. 17;  
 FIG. 19 is an enlarged left side view of FIG. 17;  
 FIG. 20 is an enlarged right side view of FIG. 17;  
 FIG. 21 is an enlarged top plan view of FIG. 17;  
 FIG. 22 is an enlarged bottom plan view of FIG. 17;  
 FIG. 23 is an enlarged perspective view of FIG. 17; and,  
 FIG. 24 is another enlarged perspective view of FIG. 17.

**1 Claim, 24 Drawing Sheets**



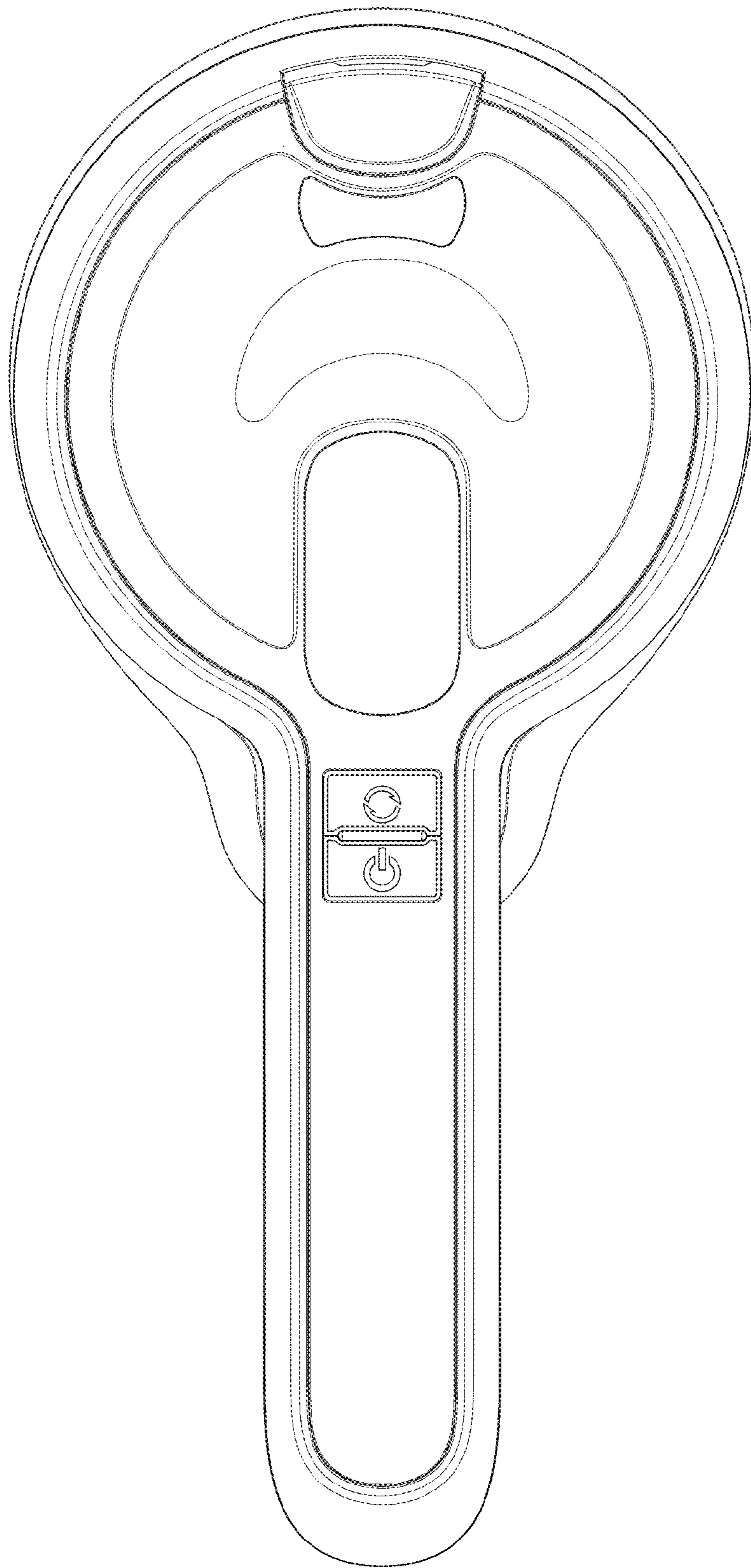


FIG. 1

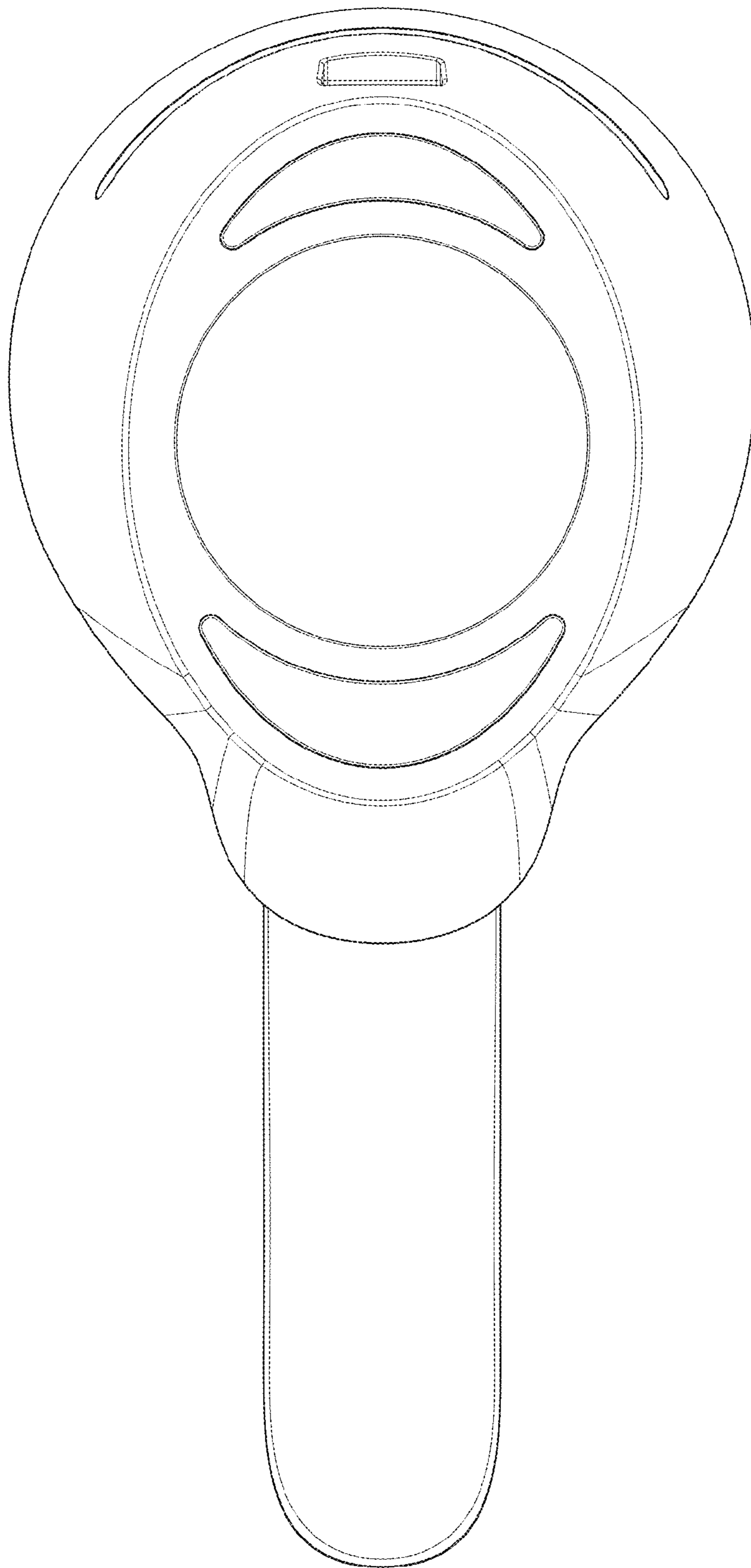


FIG. 2

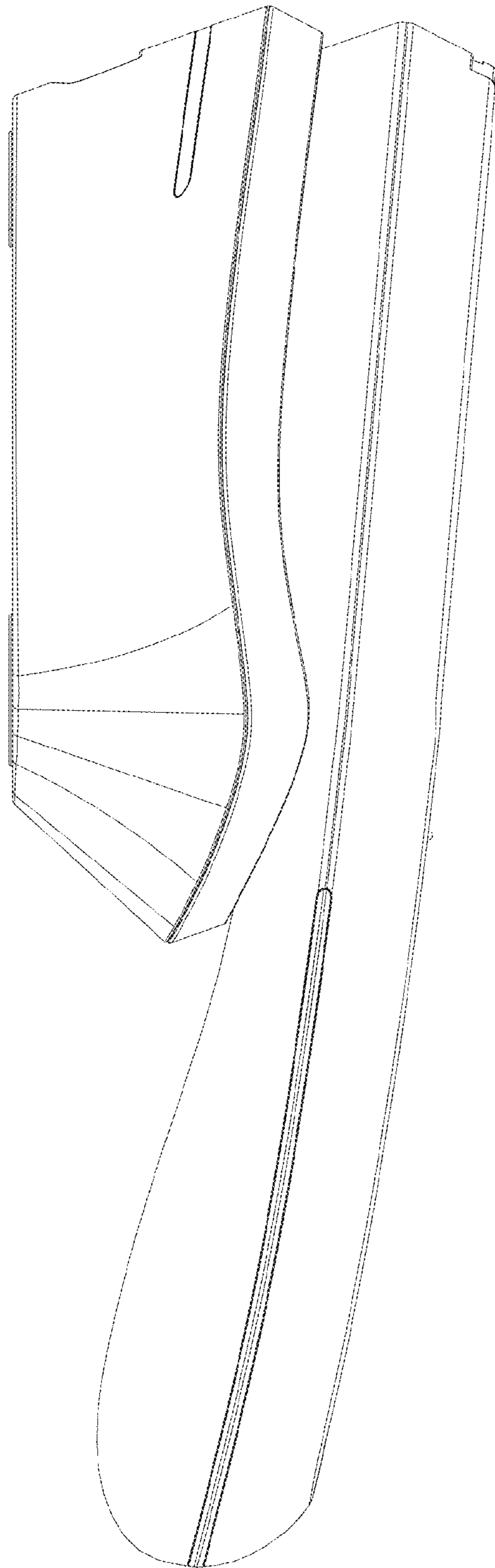


FIG. 3



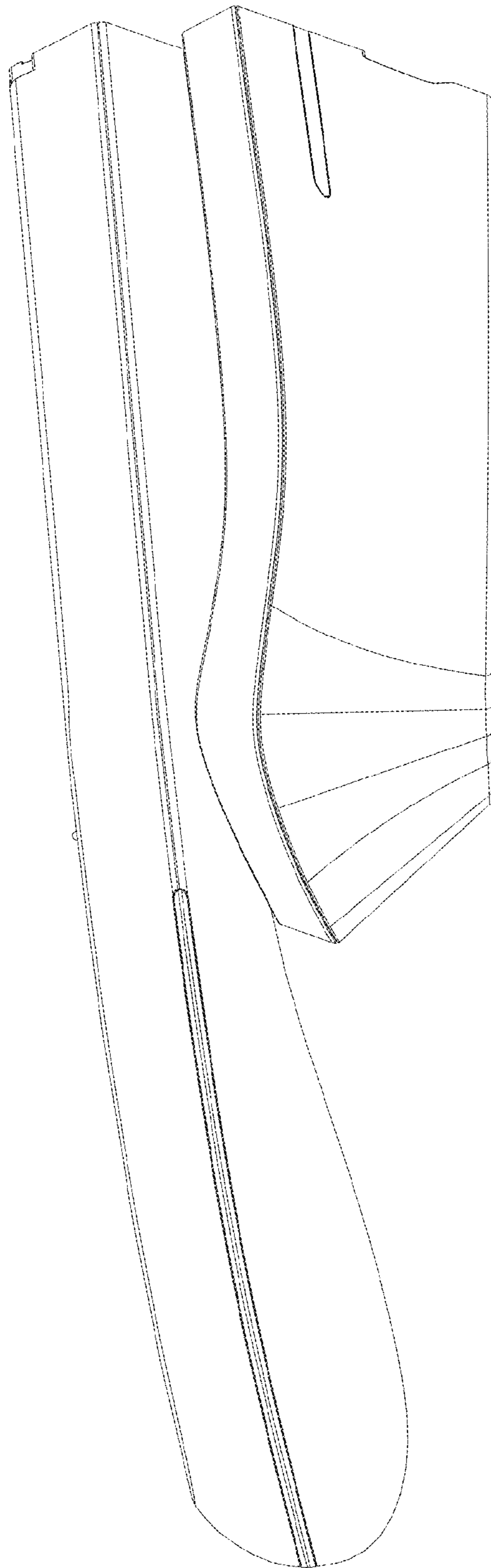


FIG. 4

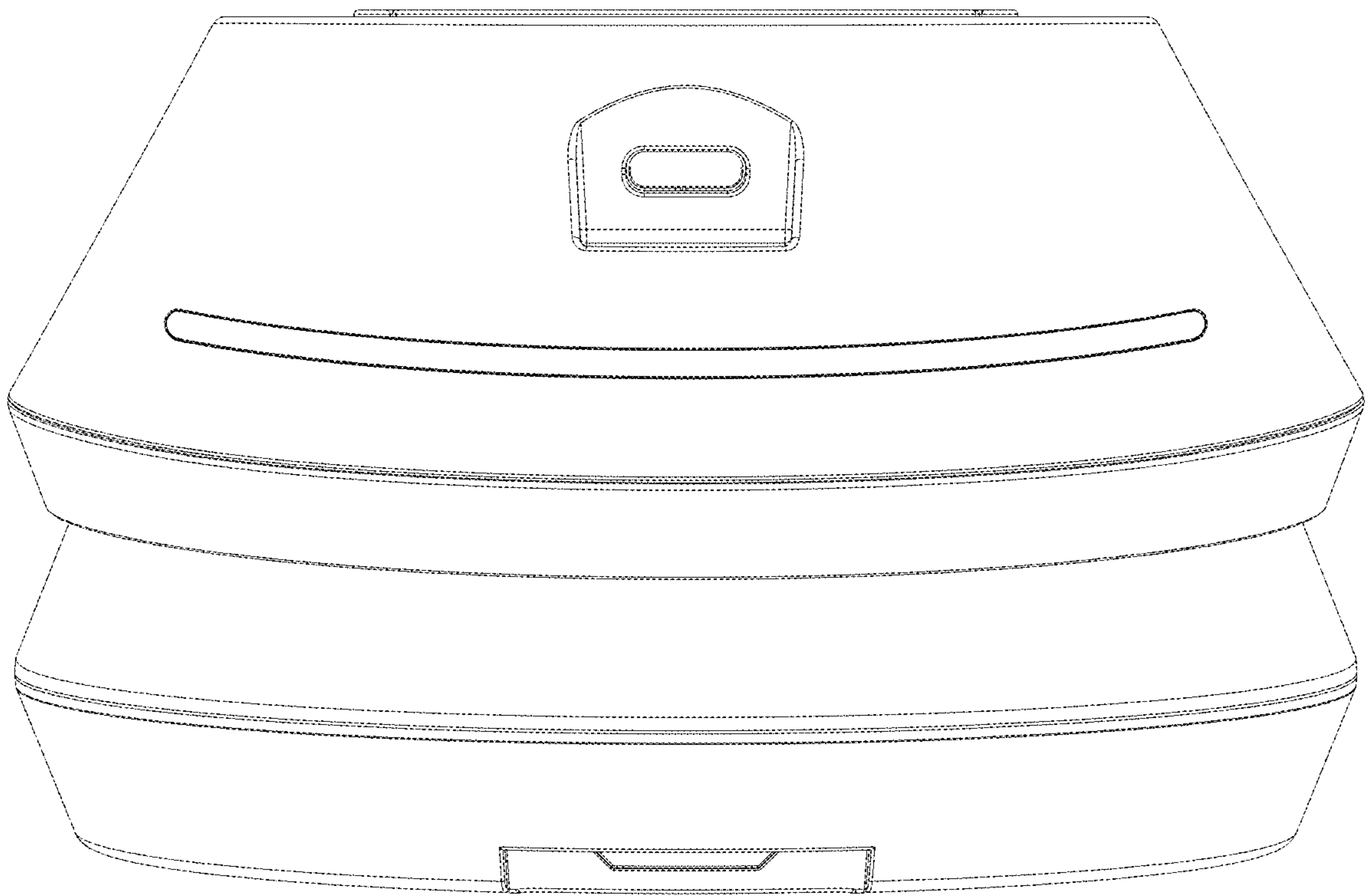


FIG. 5

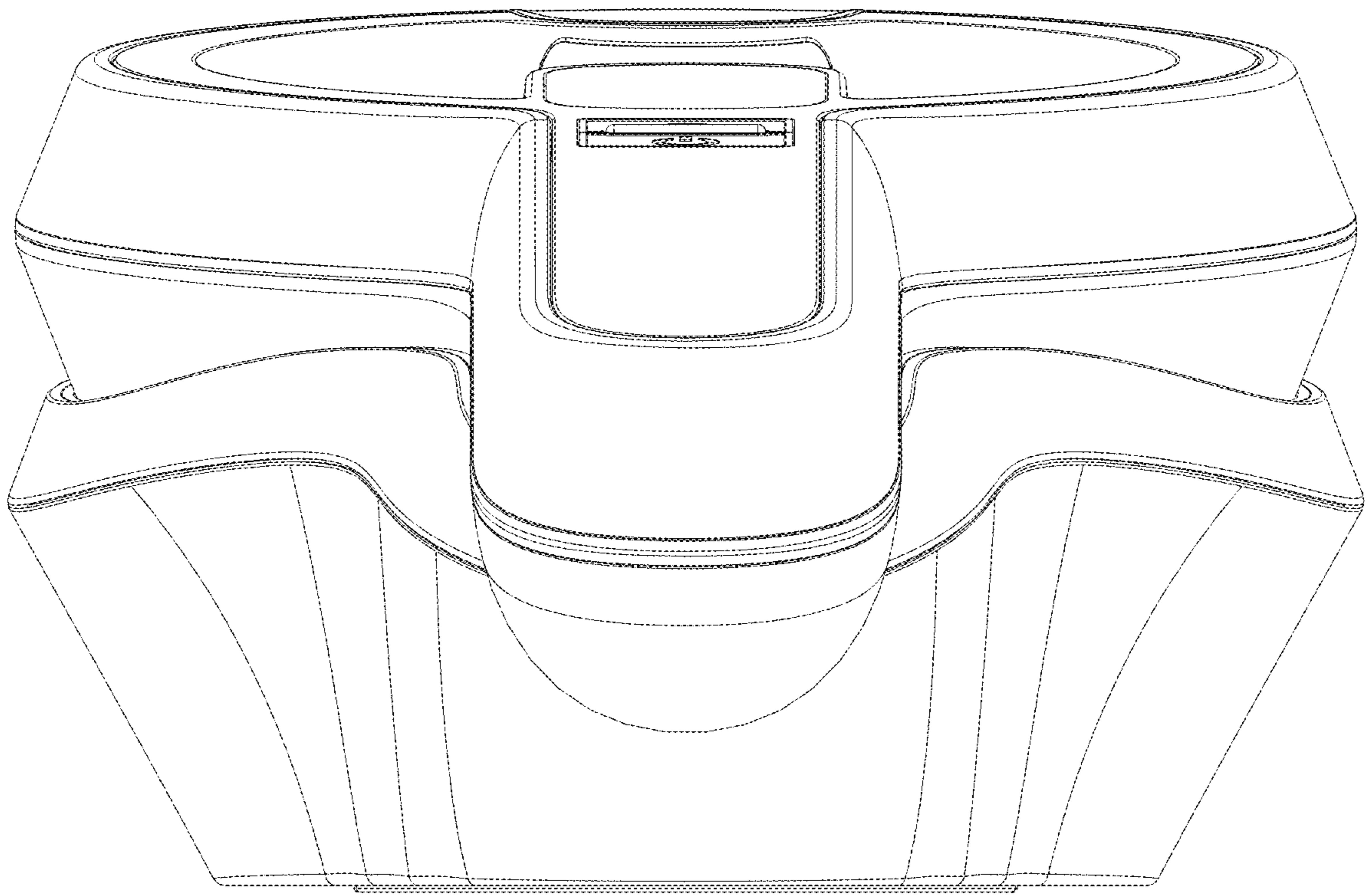


FIG. 6

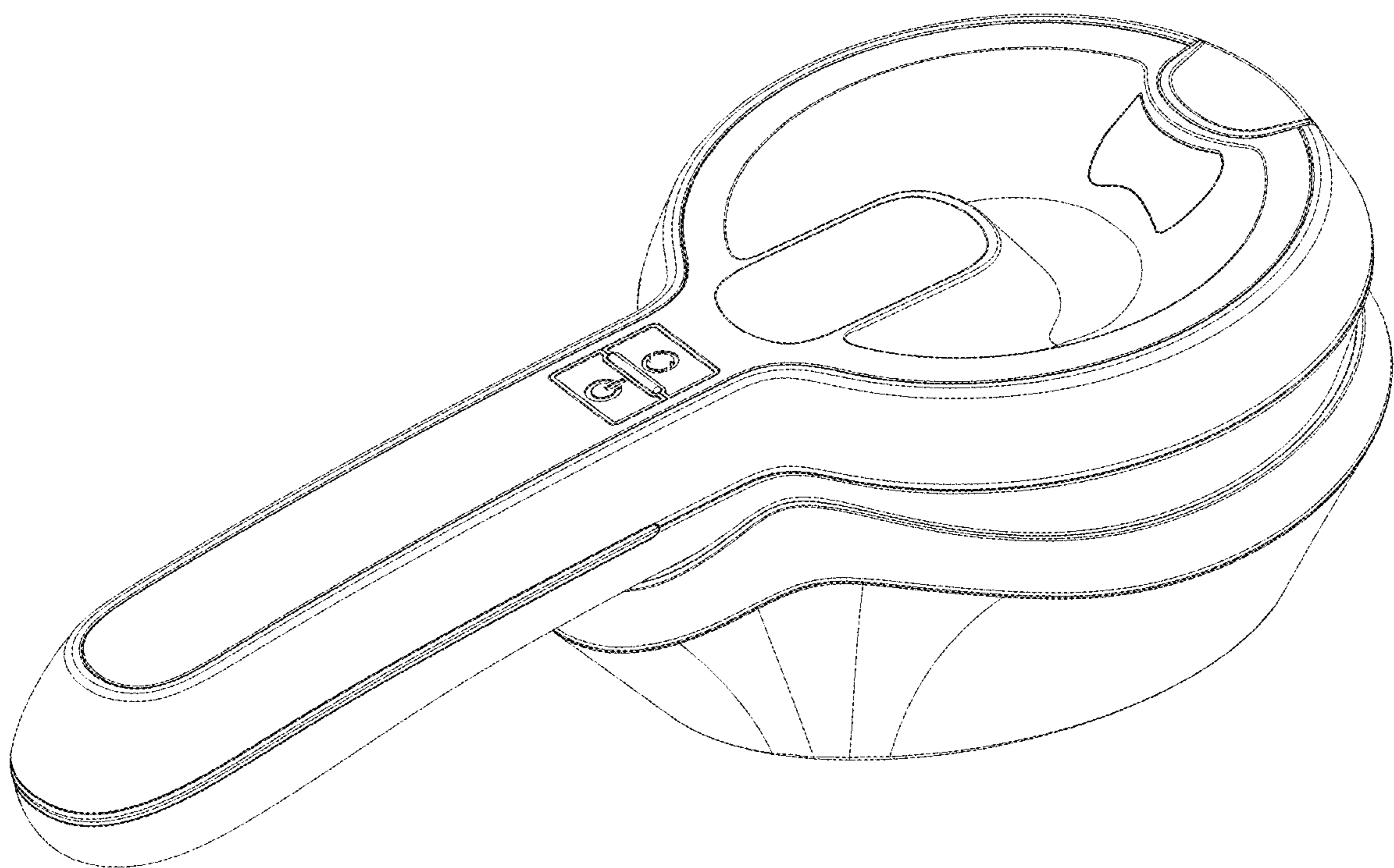


FIG. 7



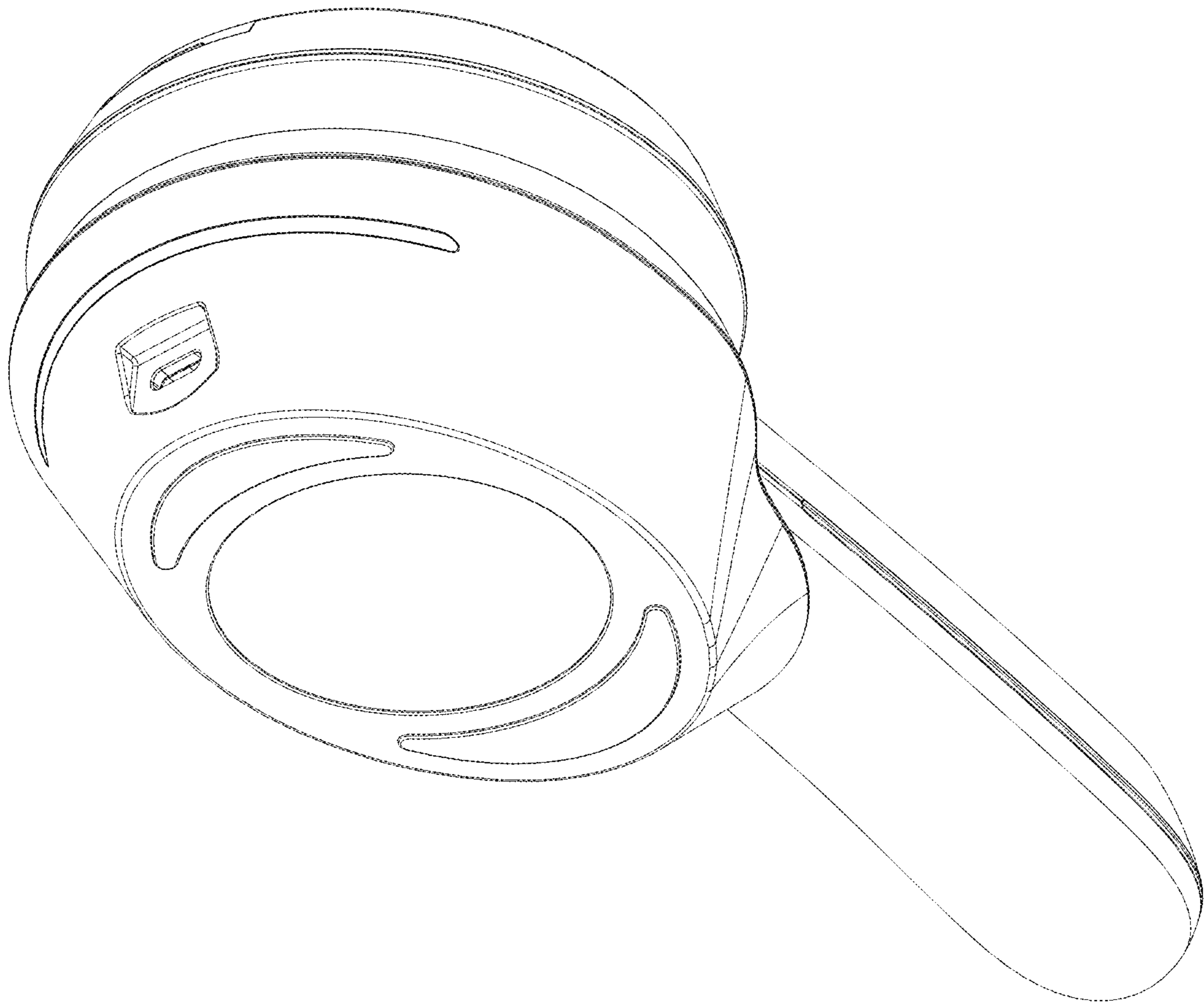


FIG. 8

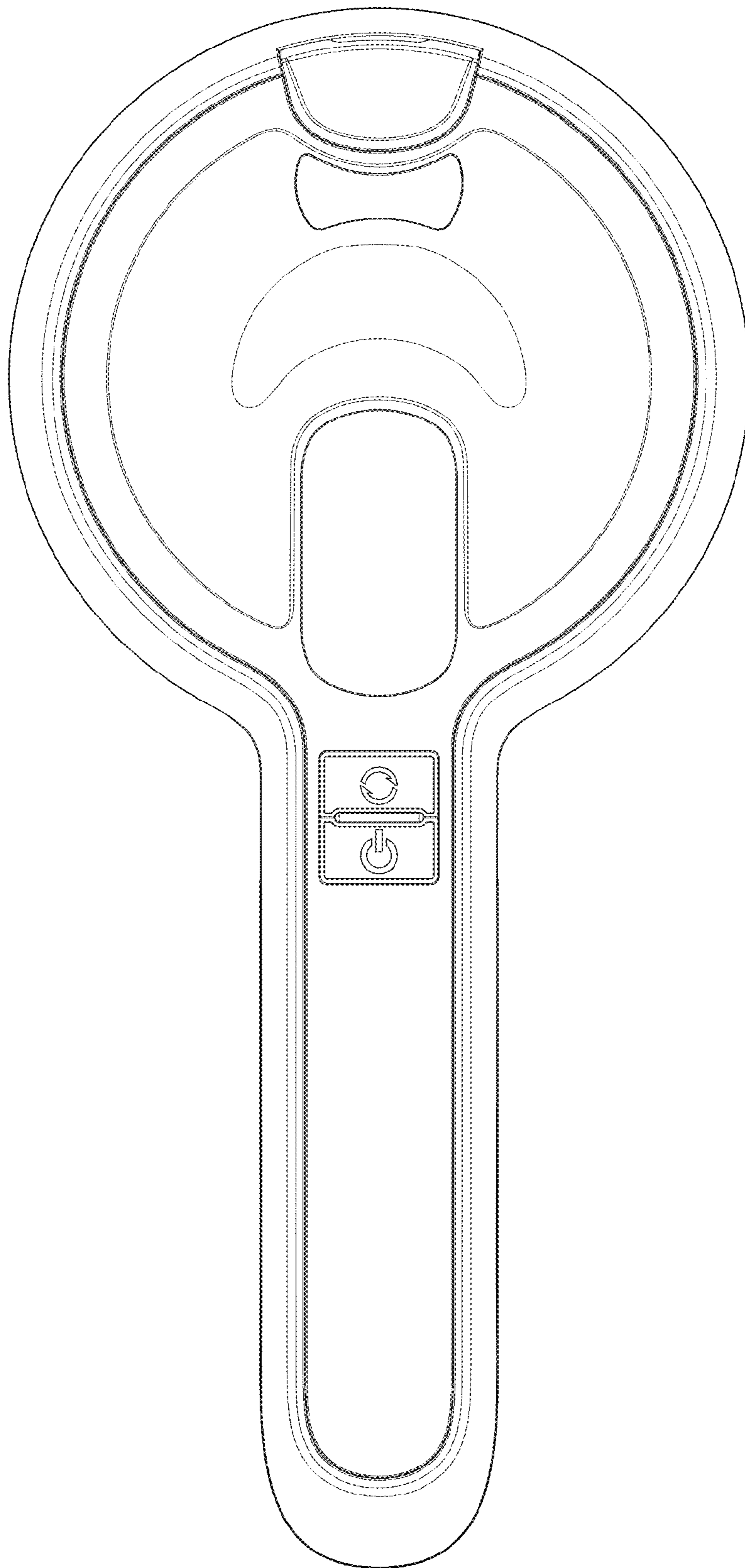


FIG. 9

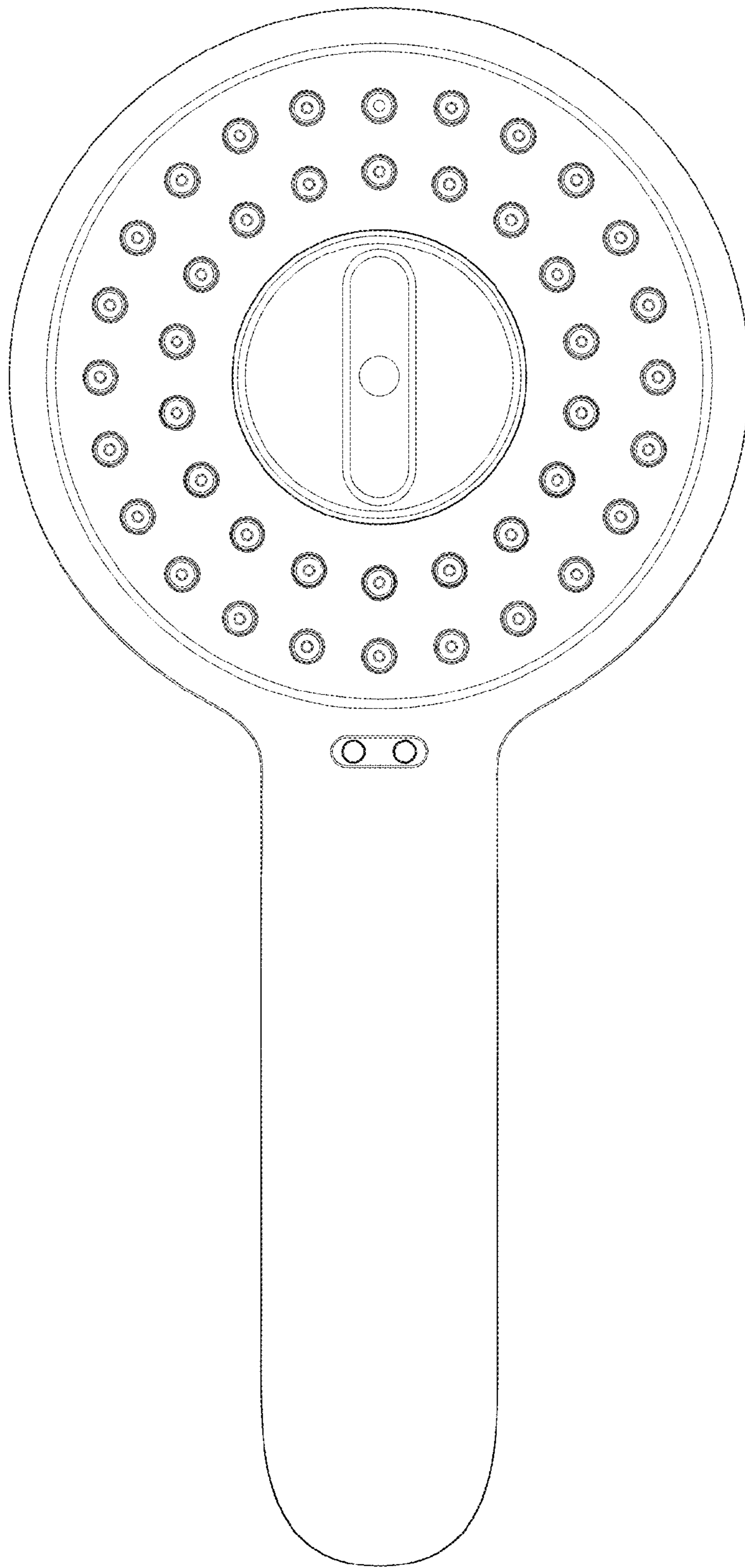


FIG. 10

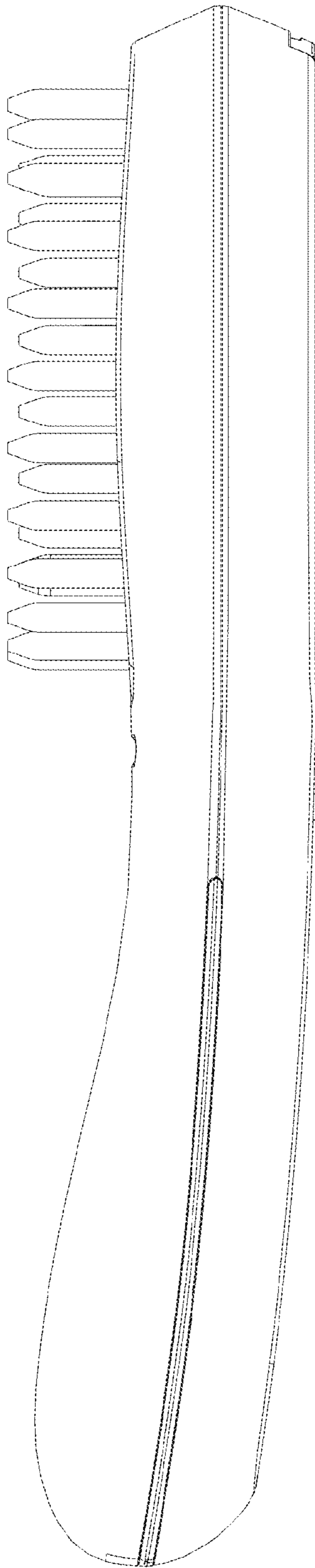


FIG. 11



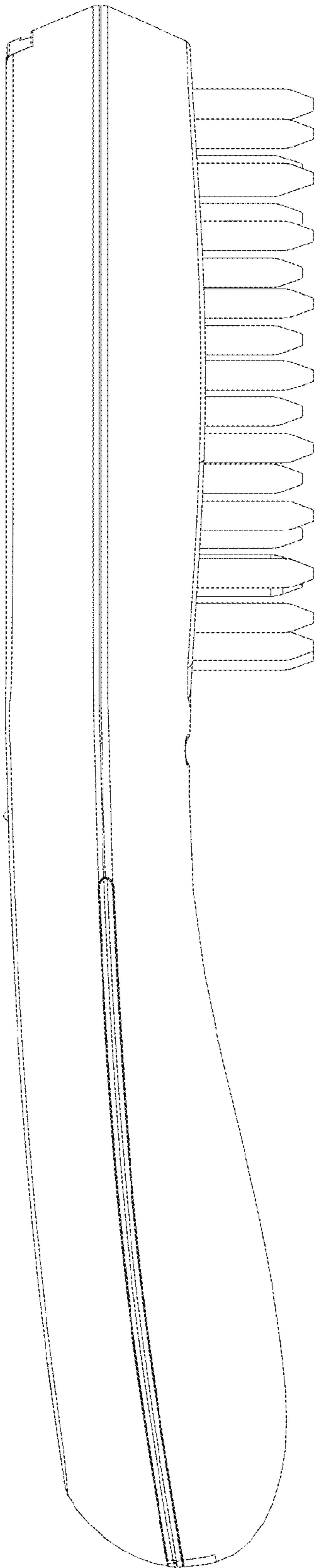


FIG. 12

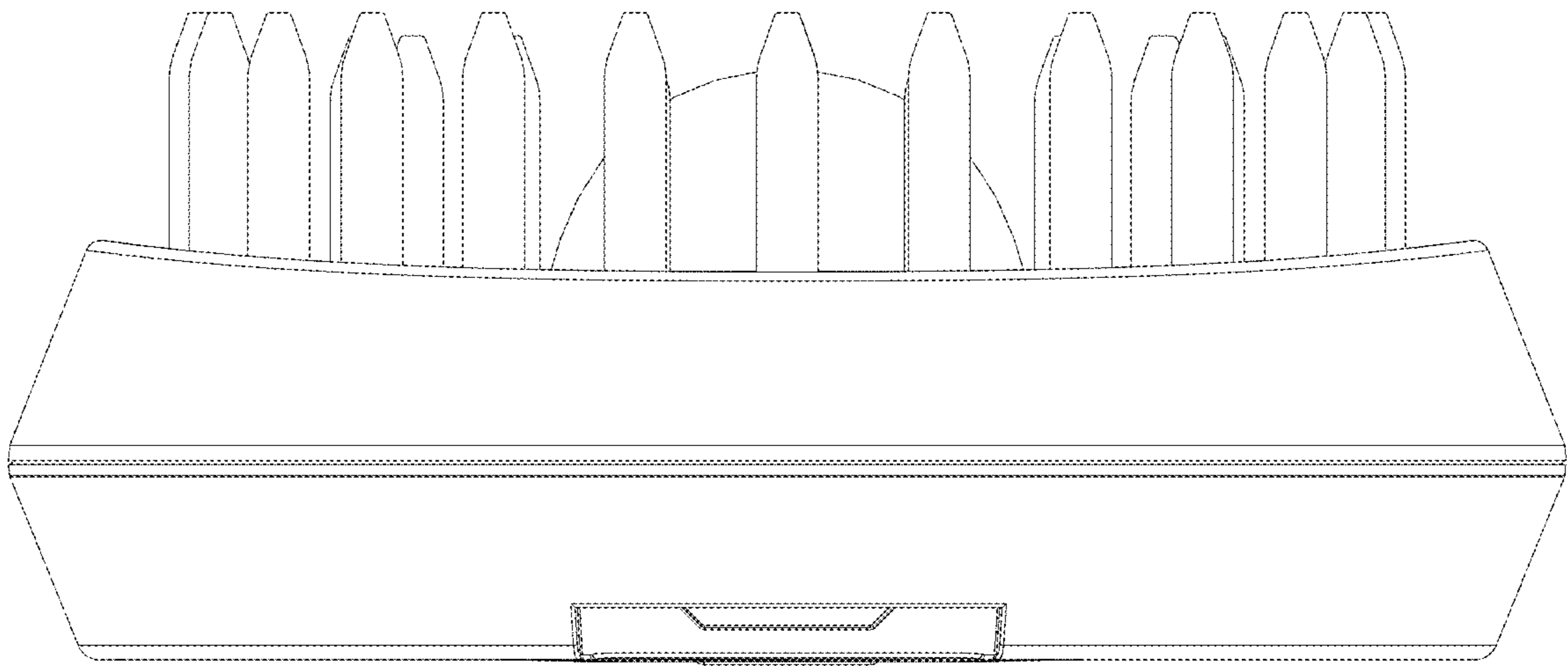


FIG. 13

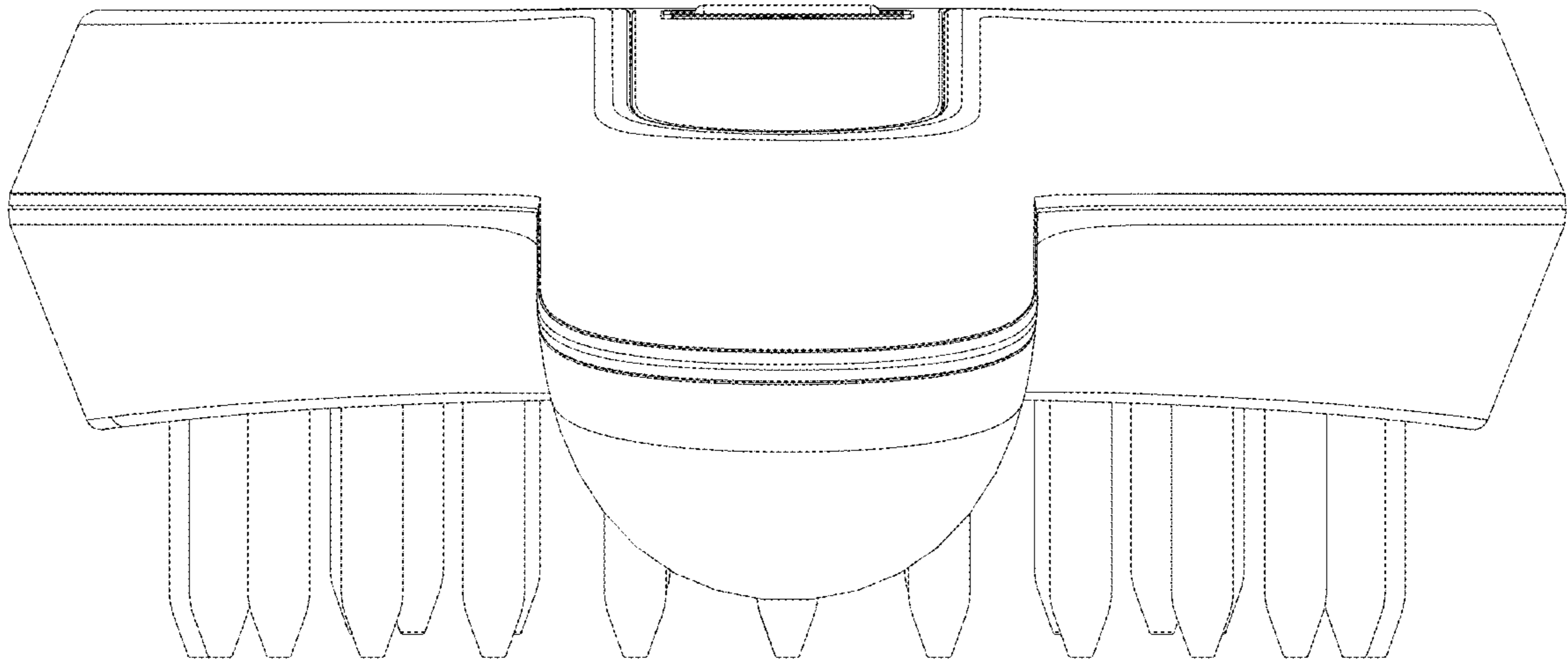


FIG. 14

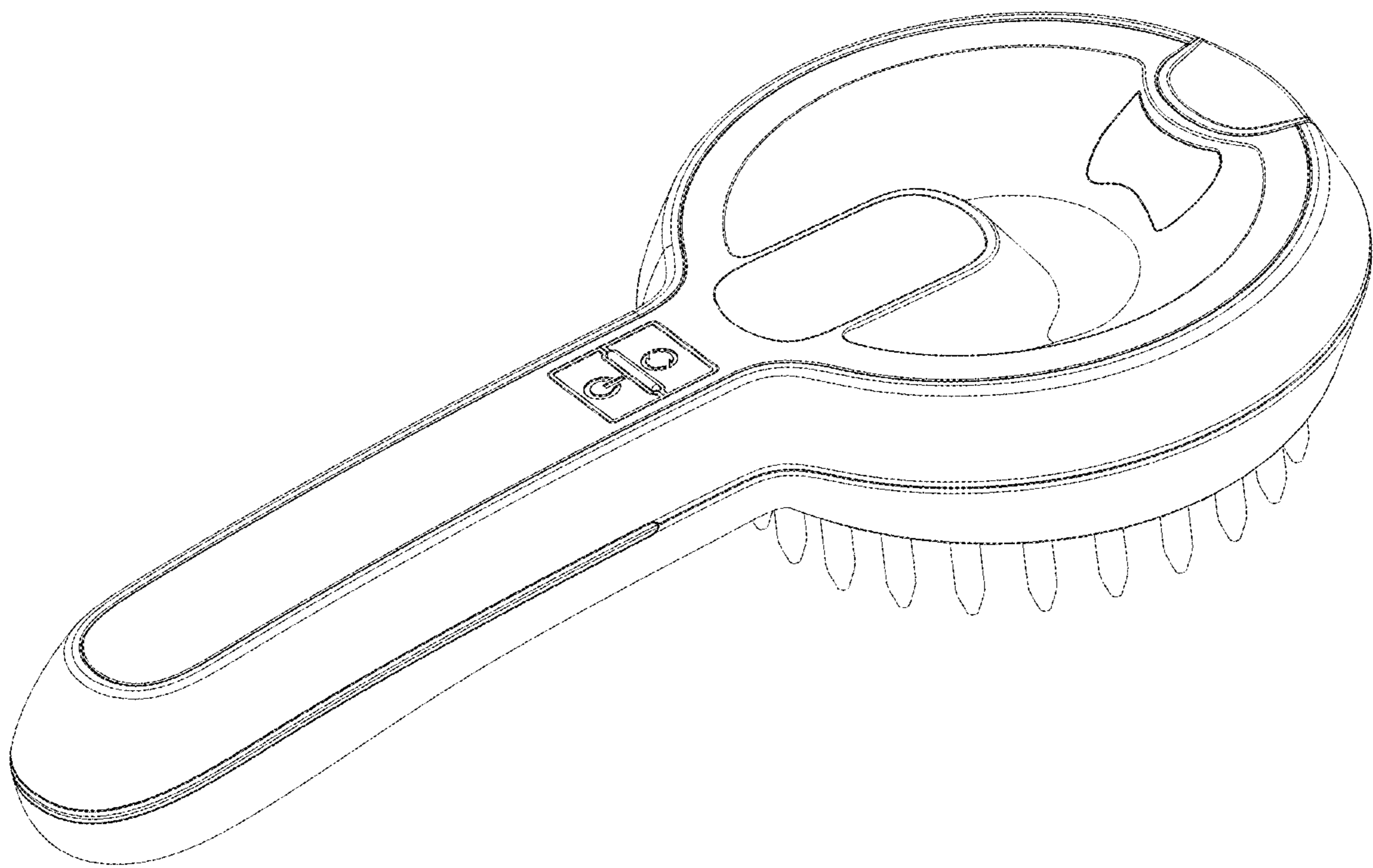


FIG. 15



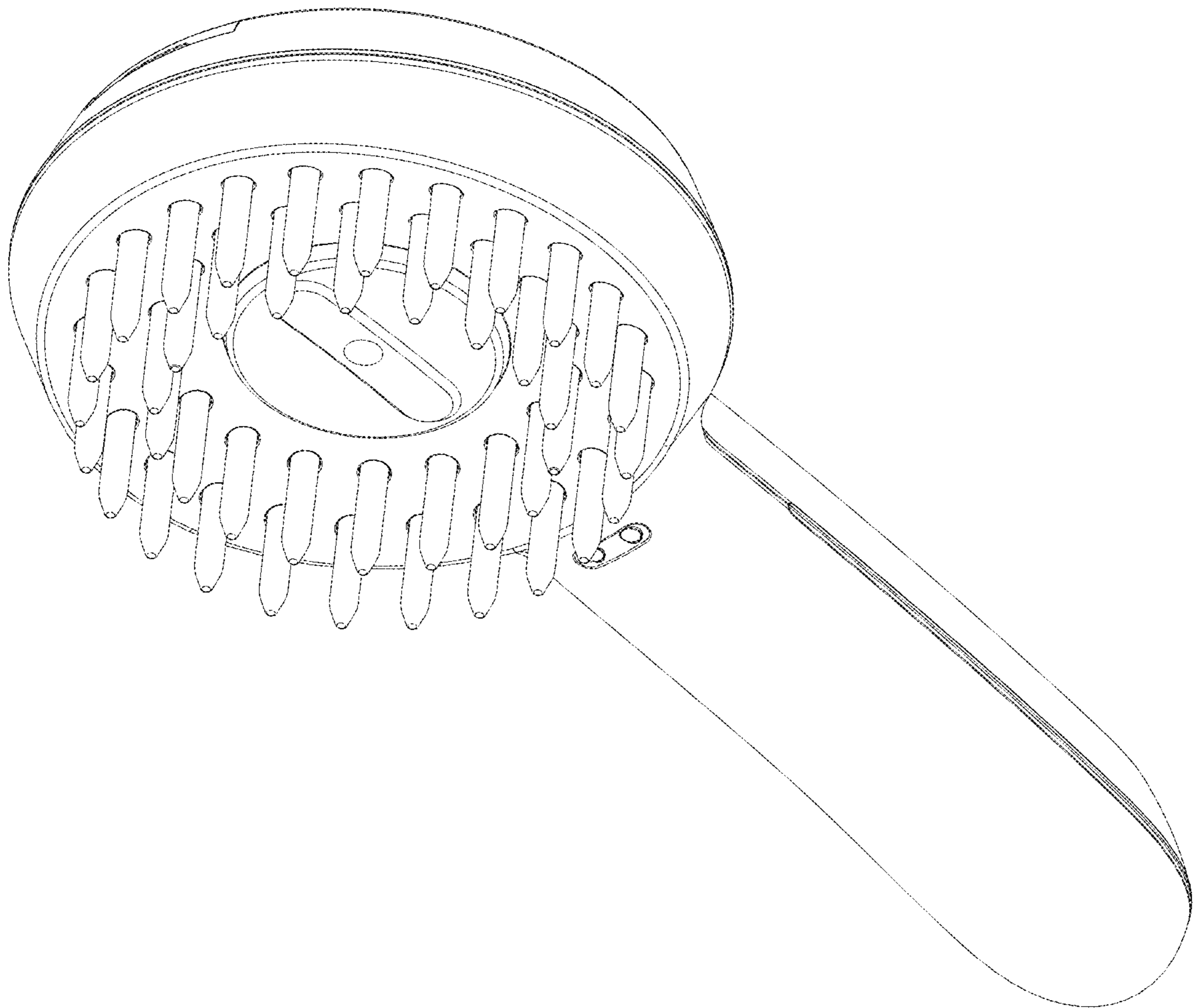


FIG. 16

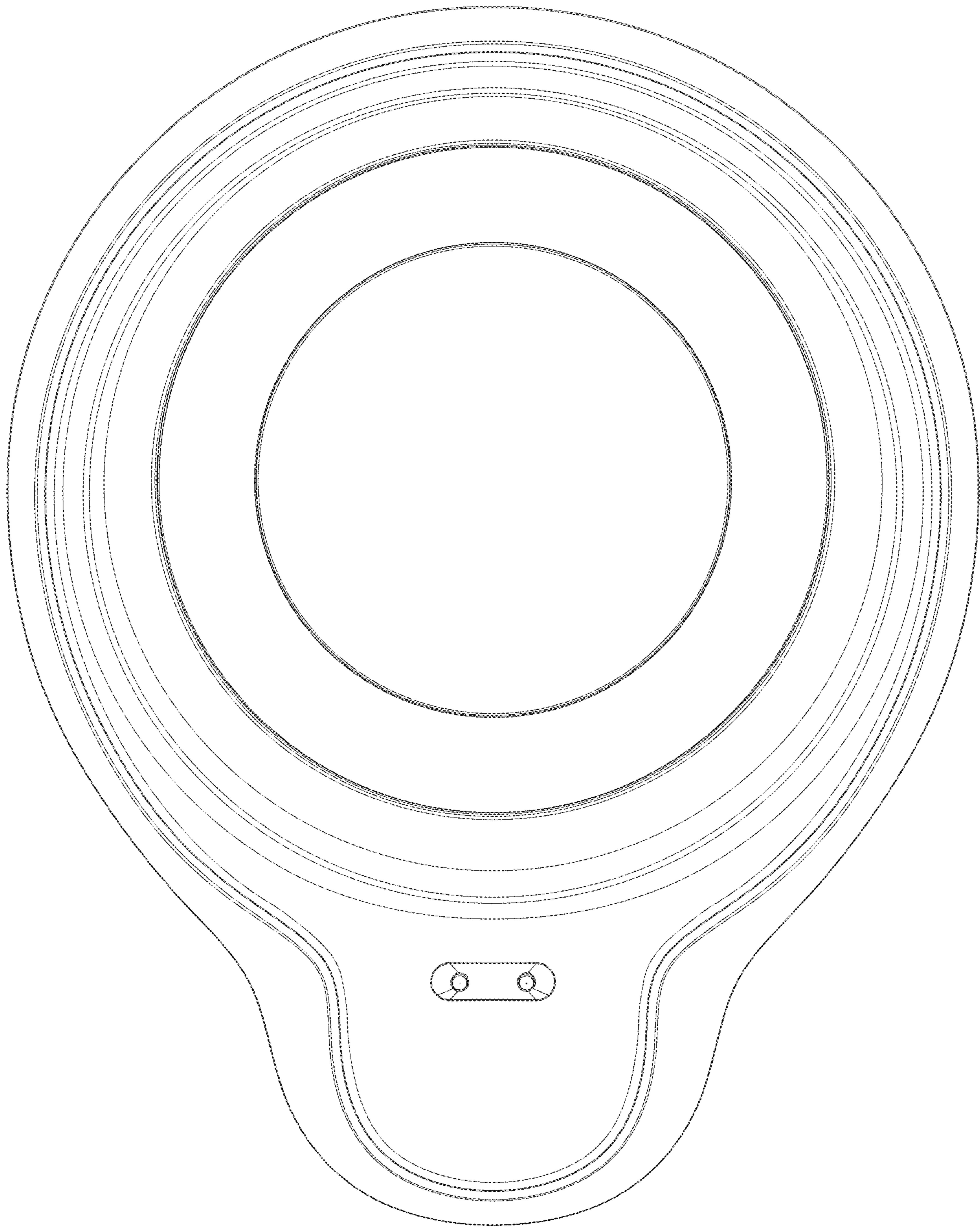


FIG. 17

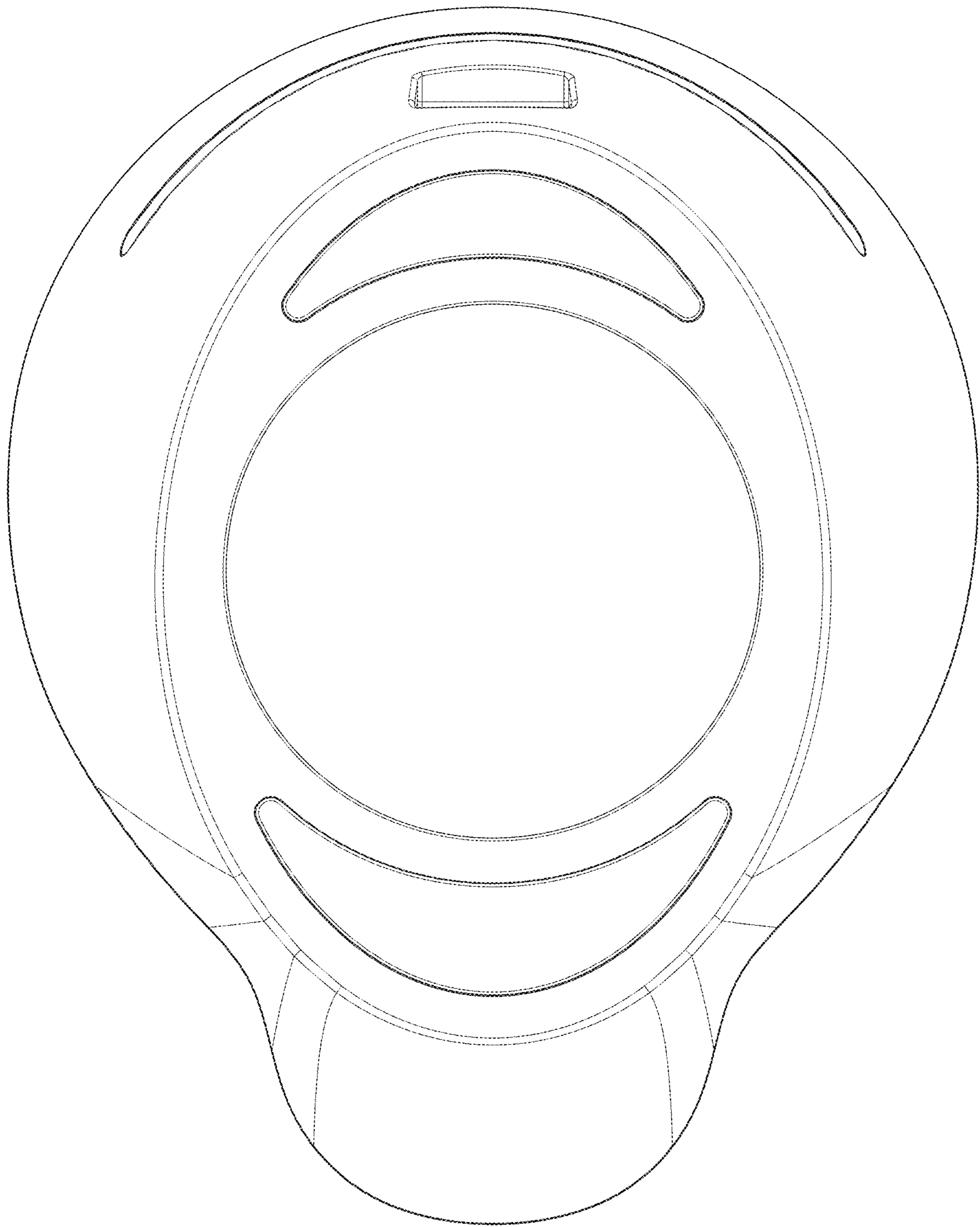


FIG. 18

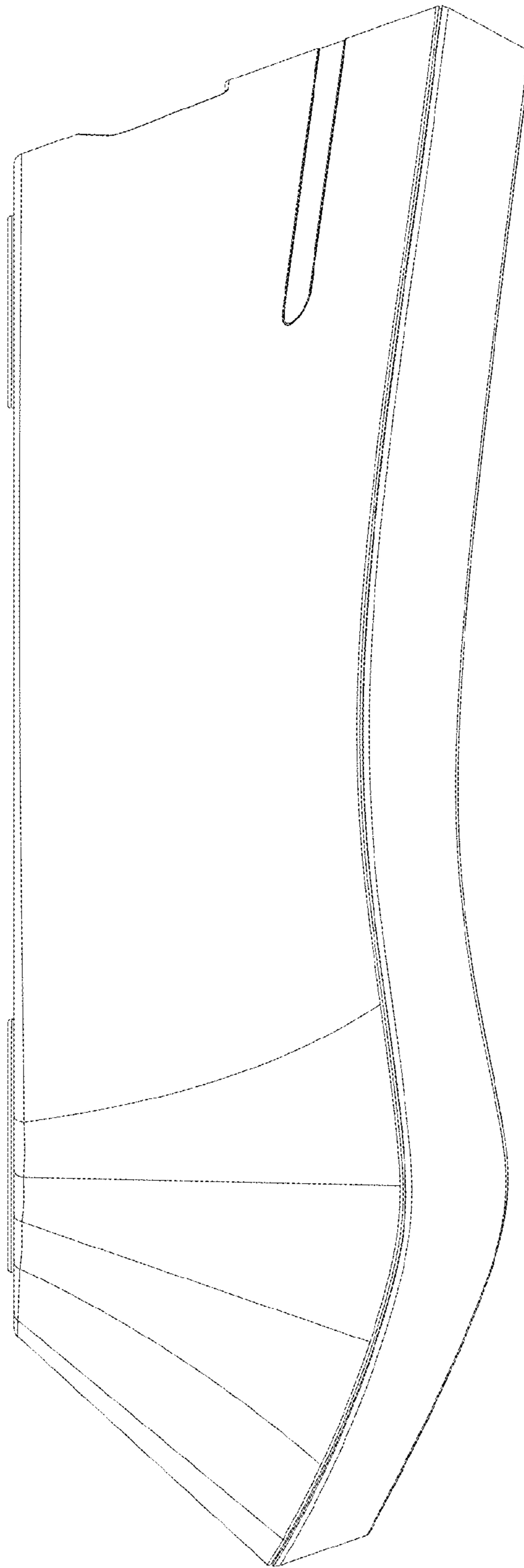


FIG. 19



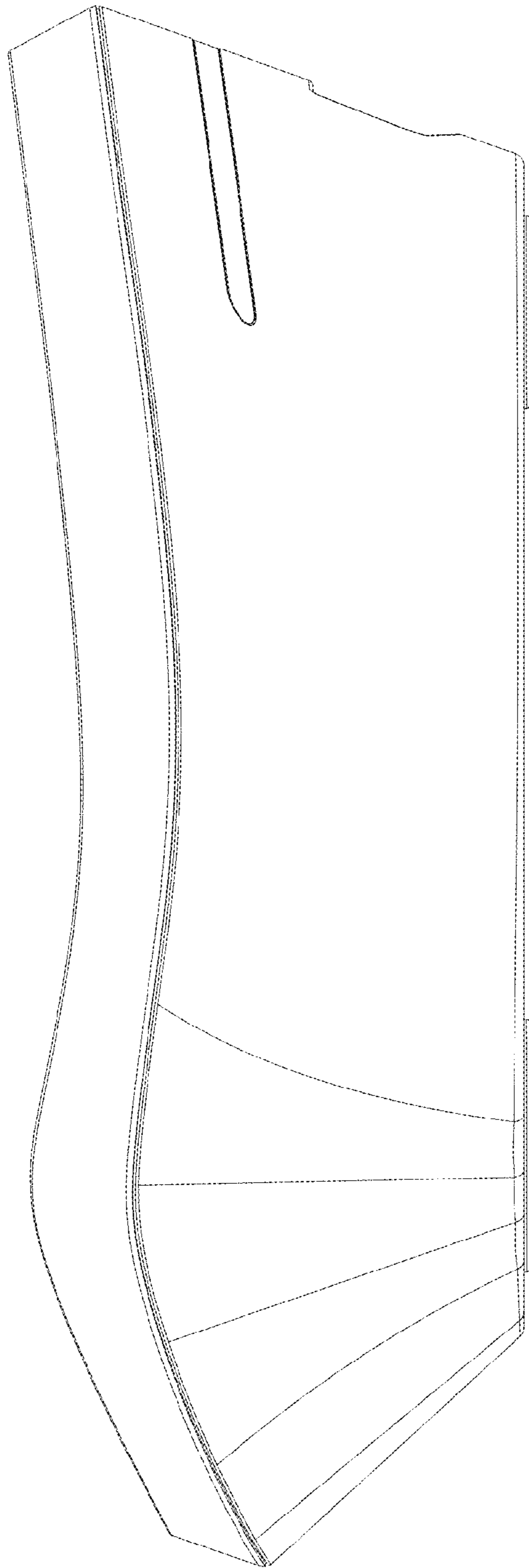


FIG. 20

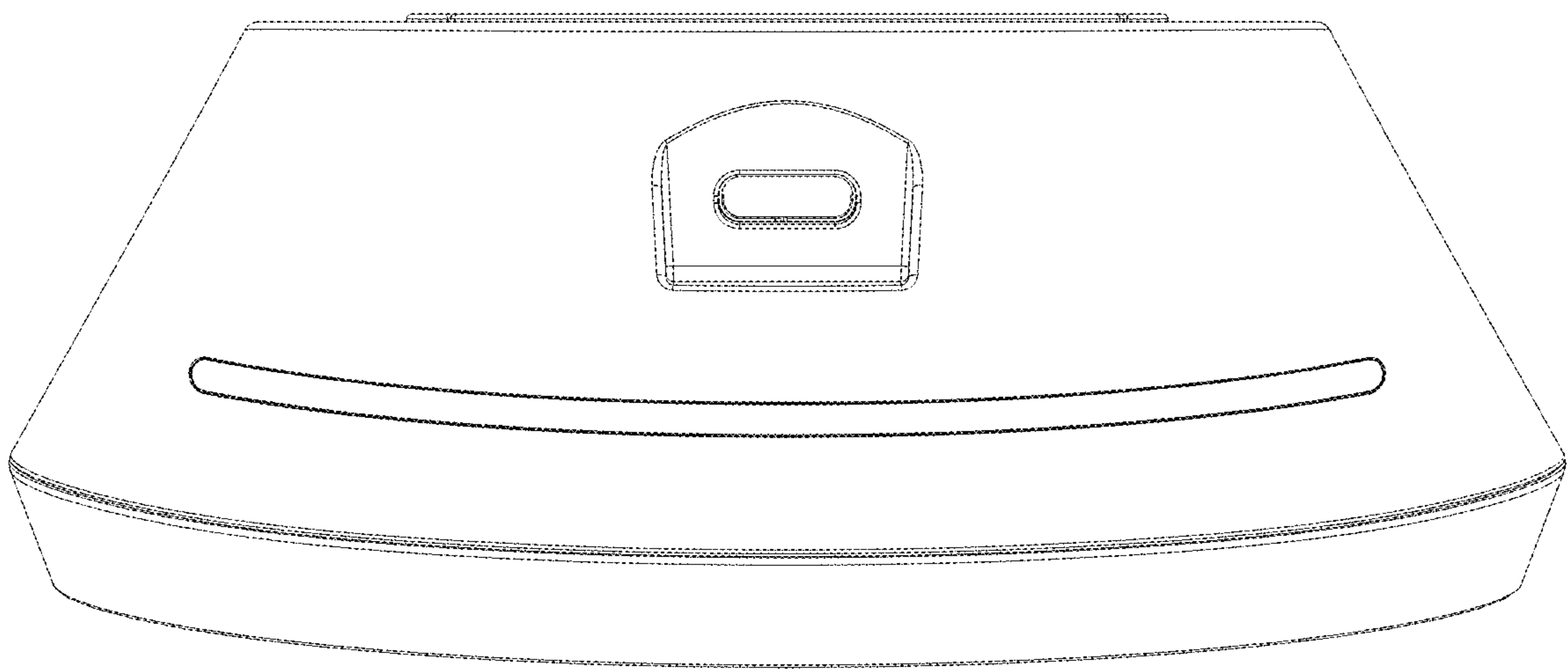


FIG. 21

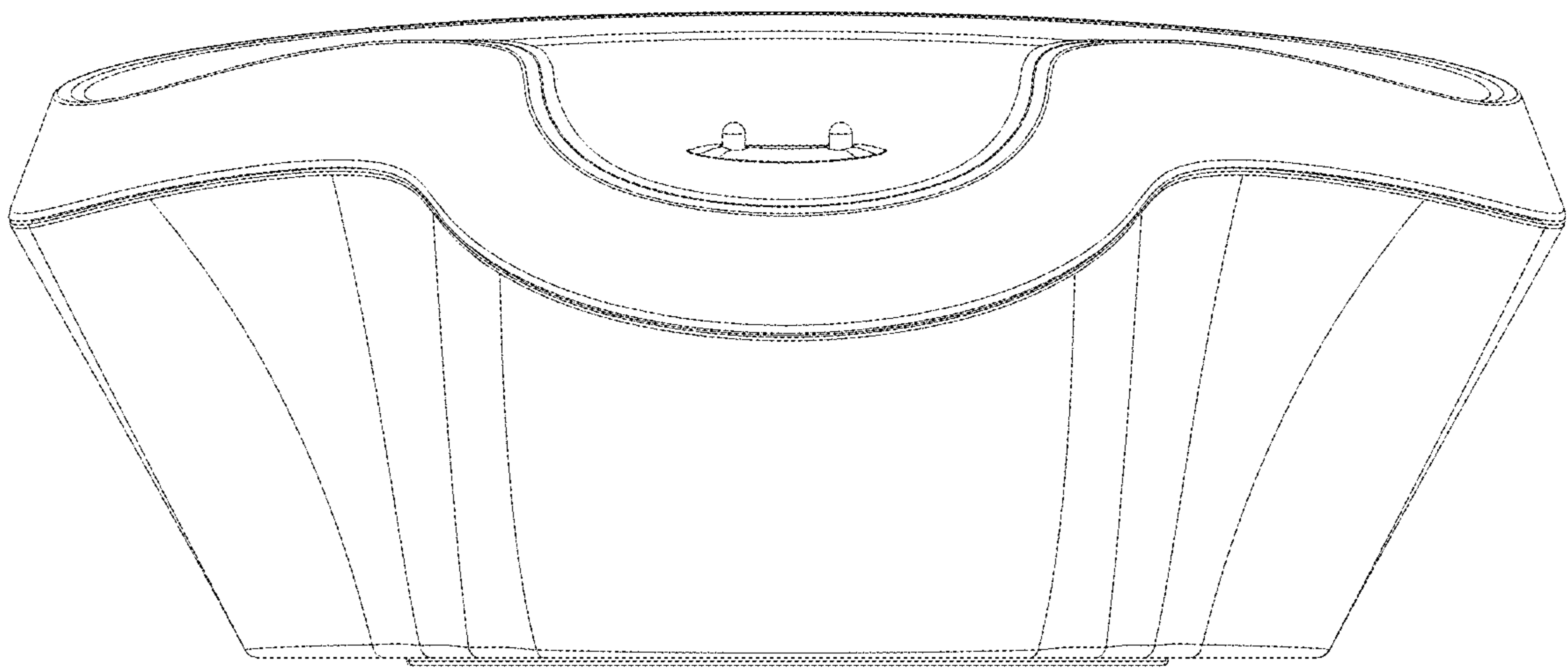


FIG. 22

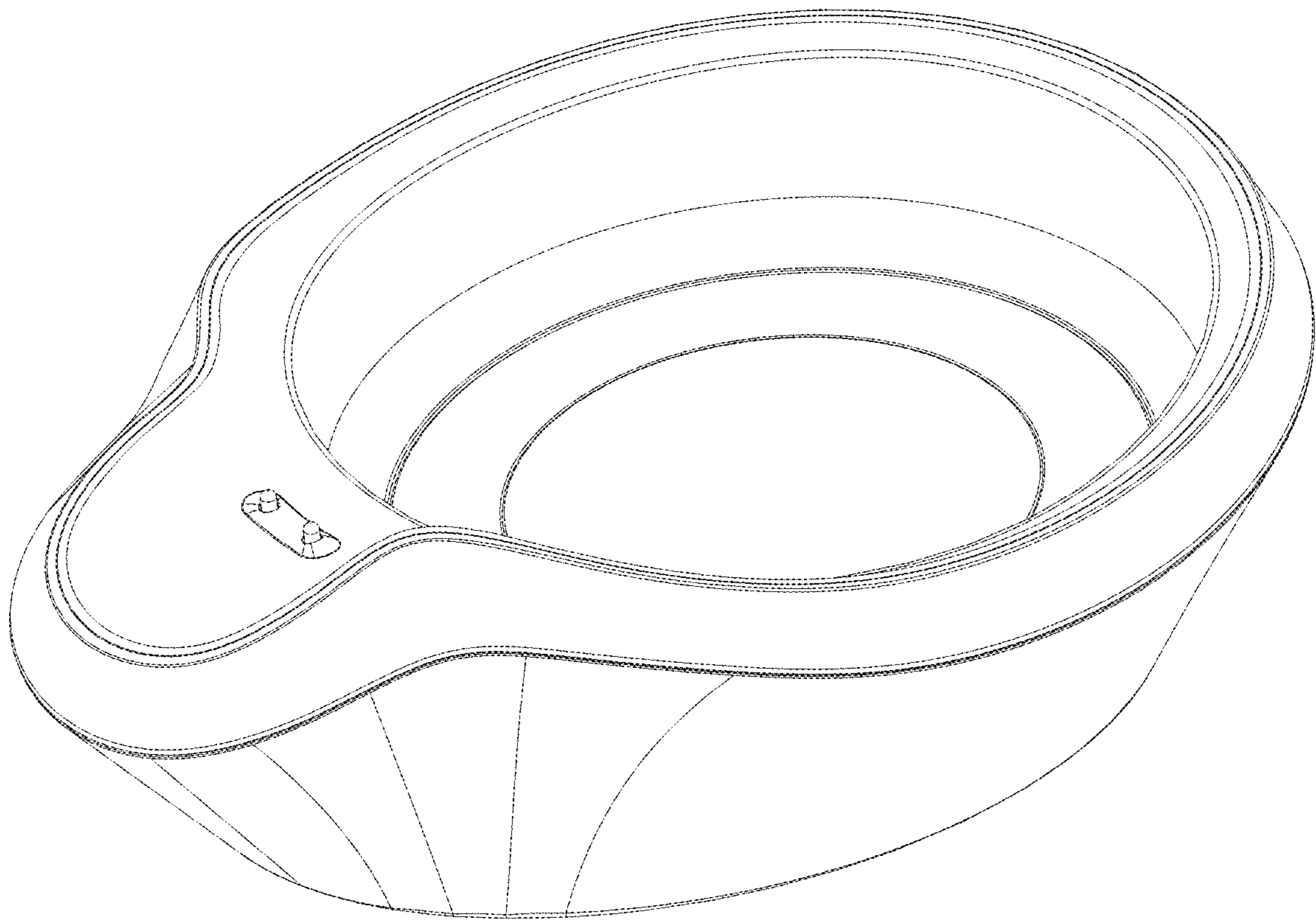


FIG. 23



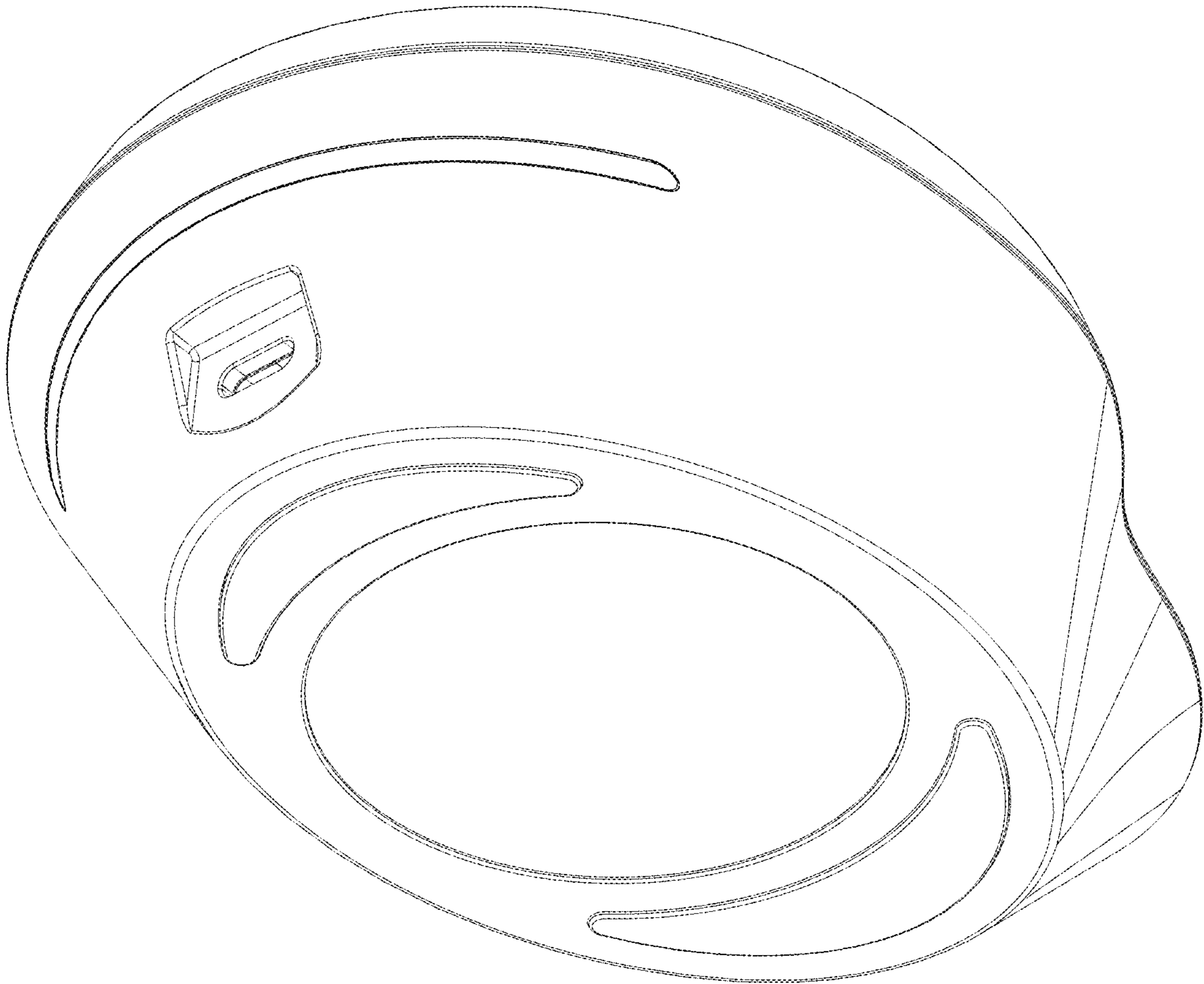


FIG. 24