



US0D1006443S

(12) **United States Design Patent** (10) **Patent No.: US D1,006,443 S**  
**Majure** (45) **Date of Patent: \*\* Dec. 5, 2023**

(54) **TIME OUT BOX FOR ELECTRONIC DEVICE**

11,495,072 B2 \* 11/2022 Majure ..... G07C 9/00896  
2007/0018791 A1 1/2007 Johnson  
2008/0191867 A1 8/2008 Markovich  
2017/0332757 A1 11/2017 Nash

(71) Applicant: **Nathan Addison Majure**, Denver, CO (US)

(72) Inventor: **Nathan Addison Majure**, Denver, CO (US)

(\*\*) Term: **15 Years**

(21) Appl. No.: **29/846,268**

(22) Filed: **Jul. 14, 2022**

OTHER PUBLICATIONS

Amazon, "Dedoot Unfinished Wooden Box with Hinged Lid . . . ", First on sale Mar. 24, 2019. (<https://www.amazon.com/Unfinished-Dedoot-Rectangle-Organizer-9-7x5-5x2-7/dp/B07QNPZHQLQ?th=1>) (Year: 2019).\*

Trova Official, "Go", First reviewed Aug. 25, 2022. (<https://trovaofficial.com/products/go-charcoal>) (Year: 2022).\*

Amazon.co.uk, "CigaMaTe Faraday Box . . . ", First on sale Nov. 28, 2020. (<https://www.amazon.co.uk/CigaMaTe-Faraday-Blocker-Blocking-Anti-Theft-black/dp/B08P87F8PJ>) (Year: 2020).\*

Scottie's Tech, Build your own stylish signal blocking smartphone box in ten minutes, Mar. 10, 2017, Retrieved from <https://scottiestech.info/2017/03/10/build-your-own-stylish-signal-blocking-smartphone-box-in-ten-minutes/>.

\* cited by examiner

Primary Examiner — April Rivas

**Related U.S. Application Data**

(63) Continuation of application No. 17/717,572, filed on Apr. 11, 2022, now Pat. No. 11,495,072.

(51) **LOC (14) Cl.** ..... **03-01**

(52) **U.S. Cl.**  
USPC ..... **D3/294**

(58) **Field of Classification Search**  
USPC ..... D3/273, 276, 278, 281, 283, 289, 293, D3/294, 303, 321, 323, 905, 271.4, 271.3  
CPC ..... B25H 3/02; A45C 3/004; A45C 13/002  
See application file for complete search history.

(57) **CLAIM**

The ornamental design for a time out box for electronic device, as shown and described.

(56) **References Cited**

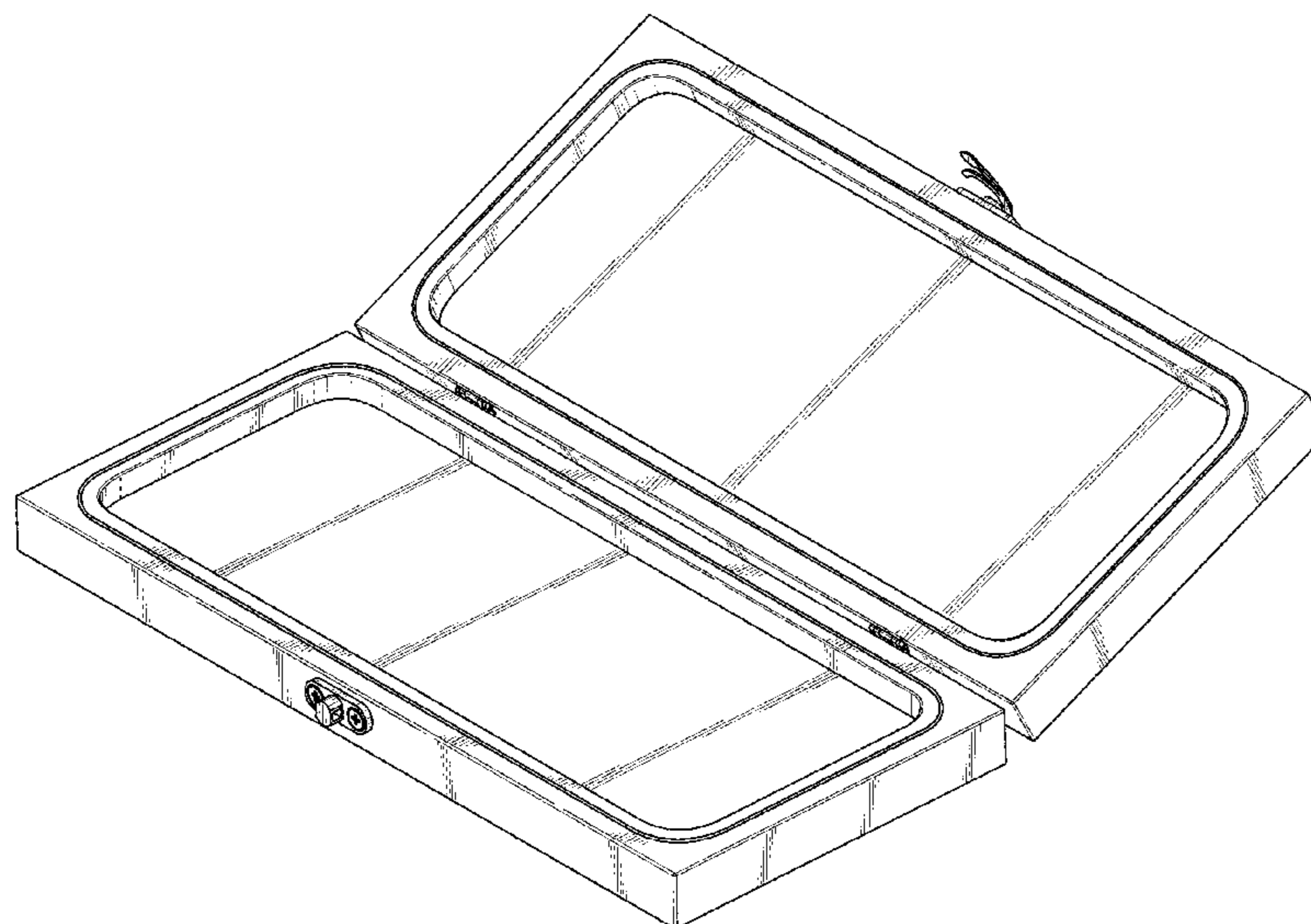
**DESCRIPTION**

**U.S. PATENT DOCUMENTS**

D418,978 S *	1/2000	Pennoyer, Jr. ....	D3/273
D429,070 S *	8/2000	Marshall .....	D28/83
D487,192 S *	3/2004	Farnham .....	D3/294
D548,969 S *	8/2007	Bramley .....	D3/294
D728,223 S *	5/2015	Setre Shens .....	D3/232
D729,515 S *	5/2015	Slimane .....	D3/242
D800,989 S *	10/2017	Lucido .....	D99/28
10,405,622 B2	9/2019	Nash	
D884,344 S *	5/2020	Jewett .....	D3/294
D912,401 S *	3/2021	Dowd .....	D3/294
10,937,001 B1 *	3/2021	Isgar .....	G07C 9/00912
D945,146 S *	3/2022	Qian .....	D3/203.2
D969,444 S *	11/2022	Rui .....	D99/28

FIG. 1 is a front-right-top perspective view of a time out box for electronic device, showing my new design;  
FIG. 2 is a rear-right-bottom perspective view thereof;  
FIG. 3 is a front-left-top perspective view thereof;  
FIG. 4 is a rear-left-bottom perspective view thereof;  
FIG. 5 is a front elevational view thereof;  
FIG. 6 is a rear elevational view thereof;  
FIG. 7 is a left elevational view thereof;  
FIG. 8 is a right elevational view thereof;  
FIG. 9 is a top plan view thereof; and,  
FIG. 10 is a bottom plan view thereof.

**1 Claim, 10 Drawing Sheets**



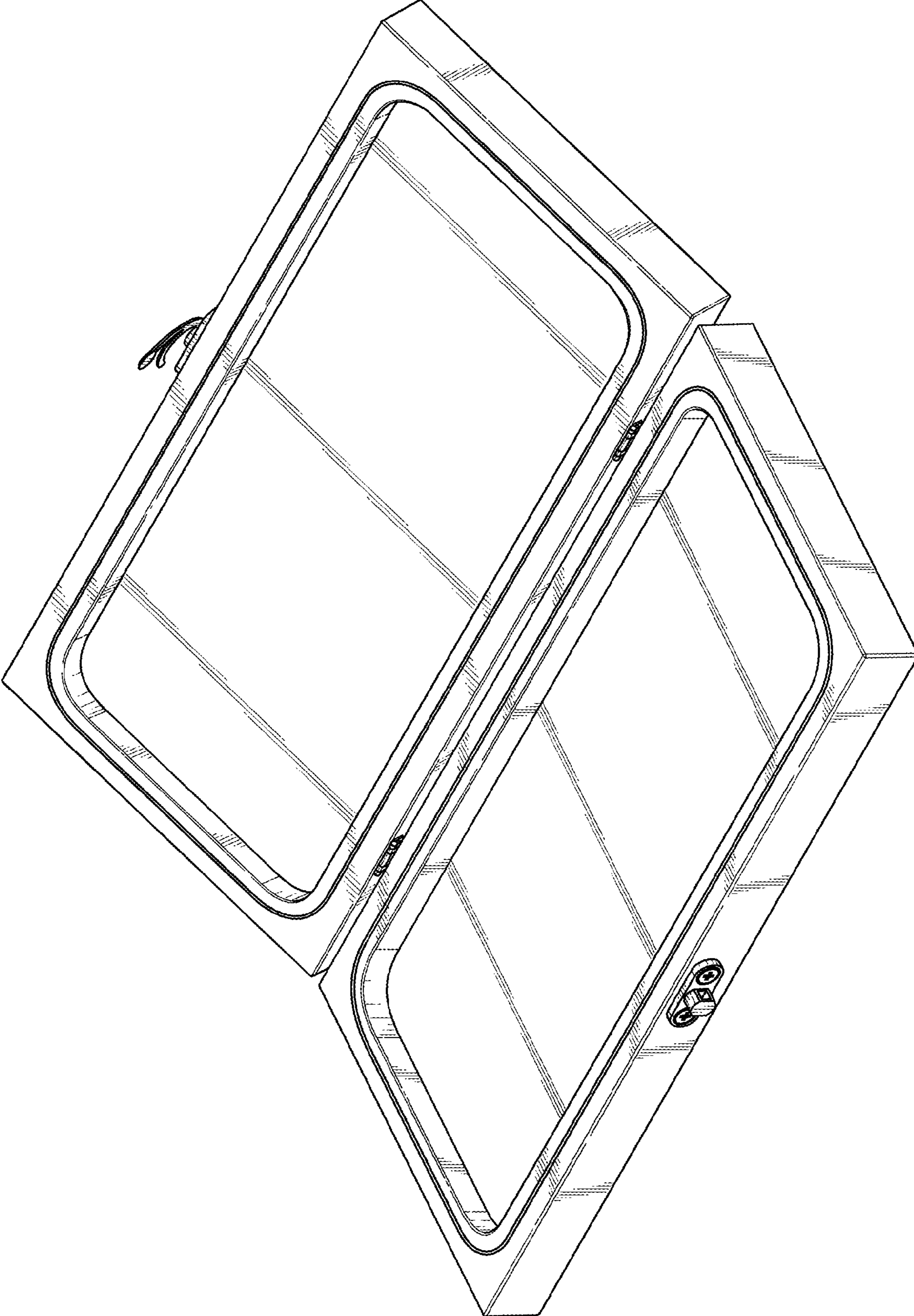


FIG. 1

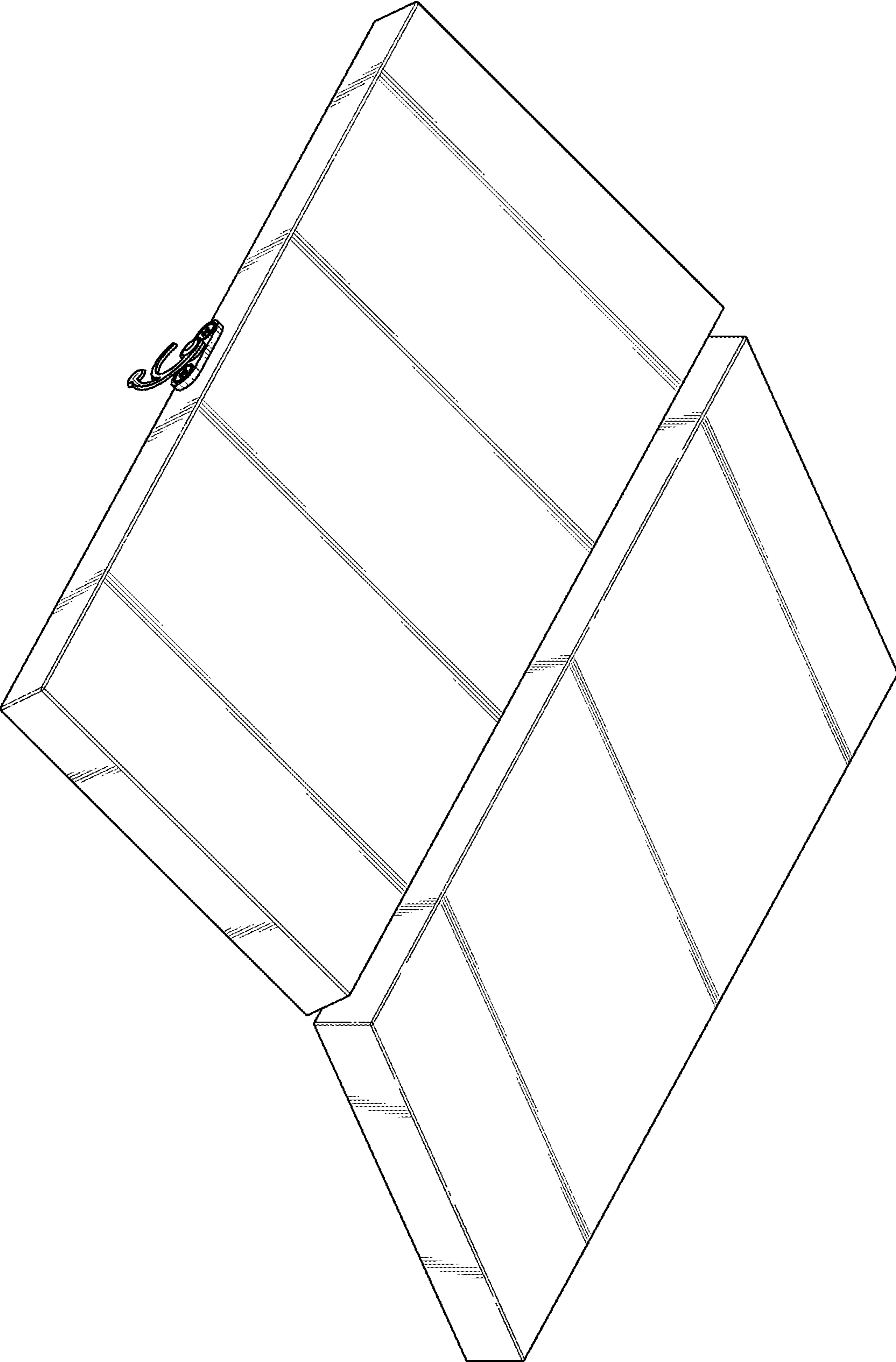


FIG. 2



FIG. 3

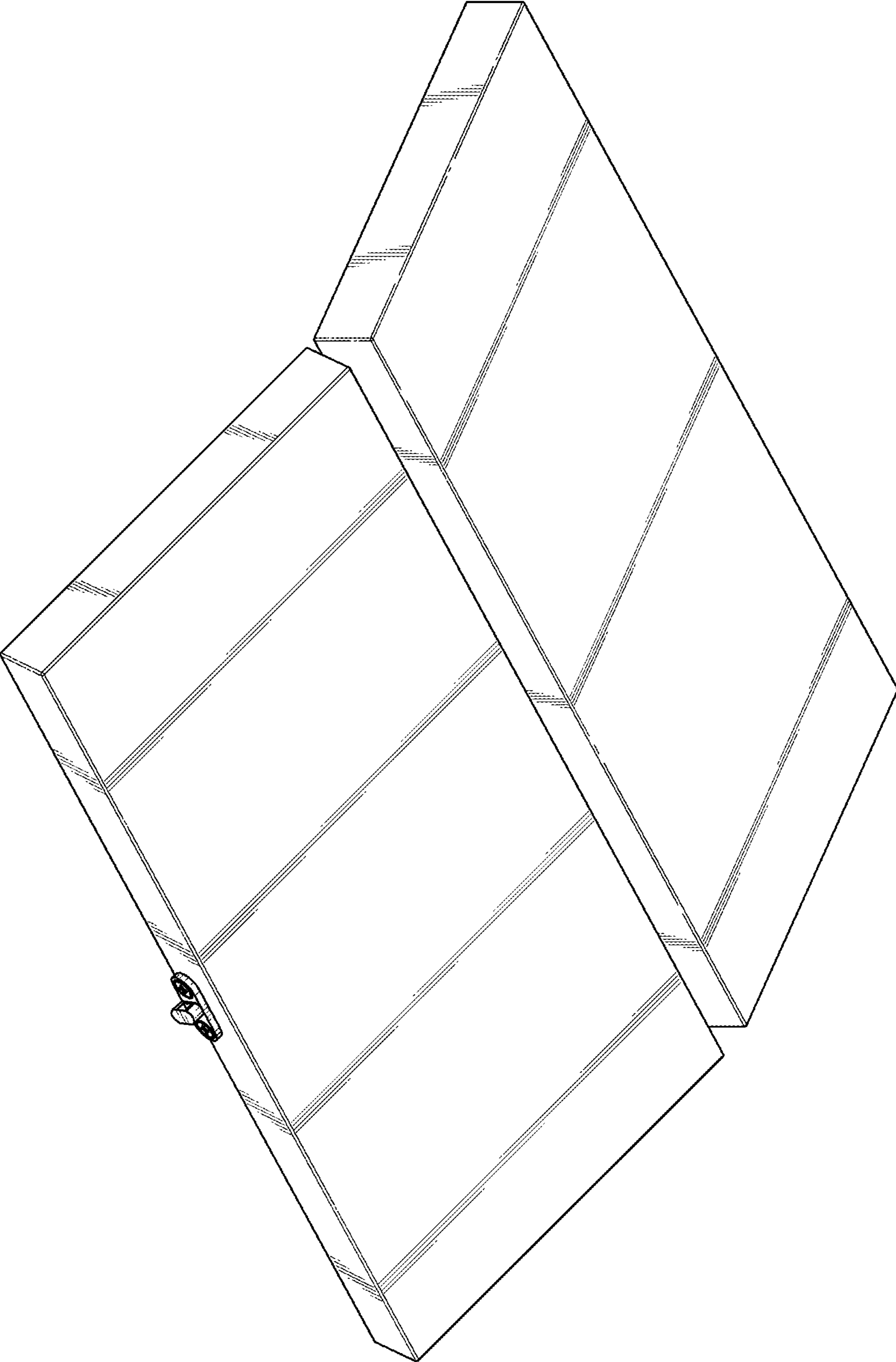


FIG. 4

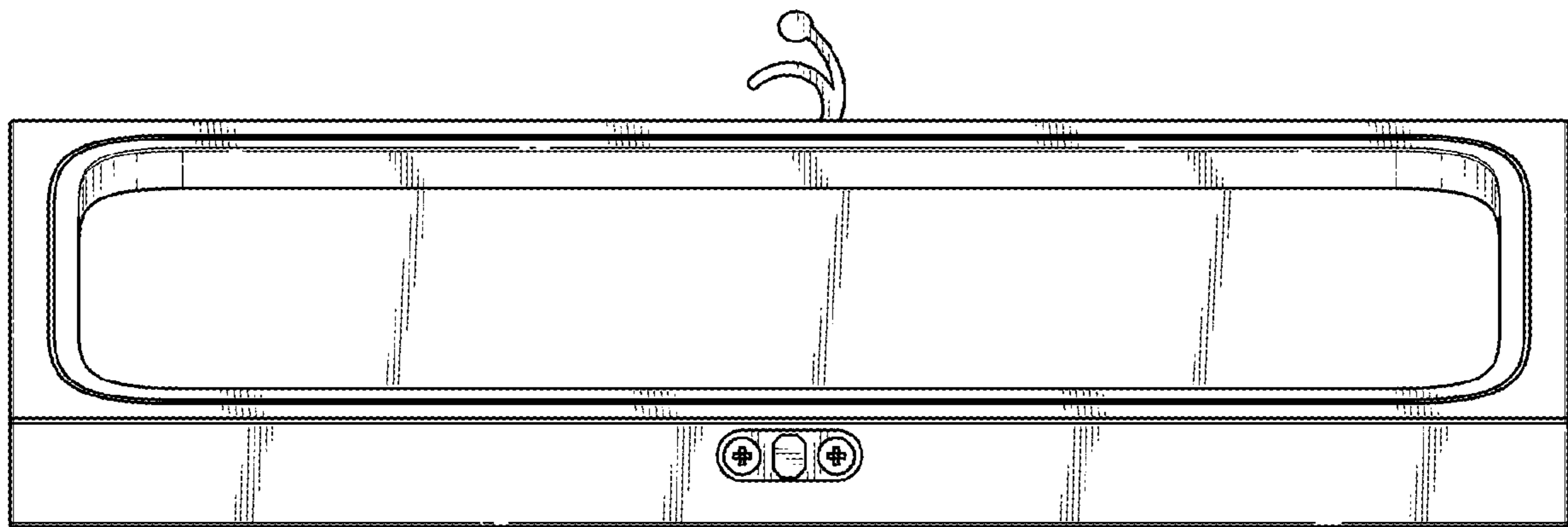


FIG. 5

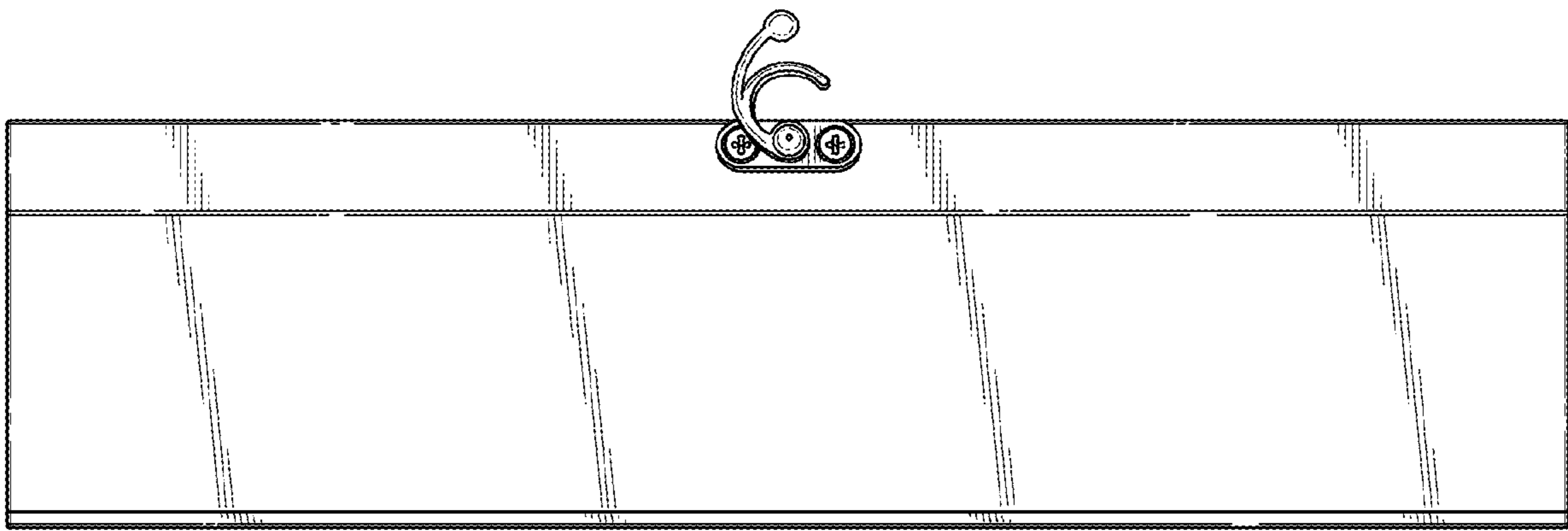


FIG. 6

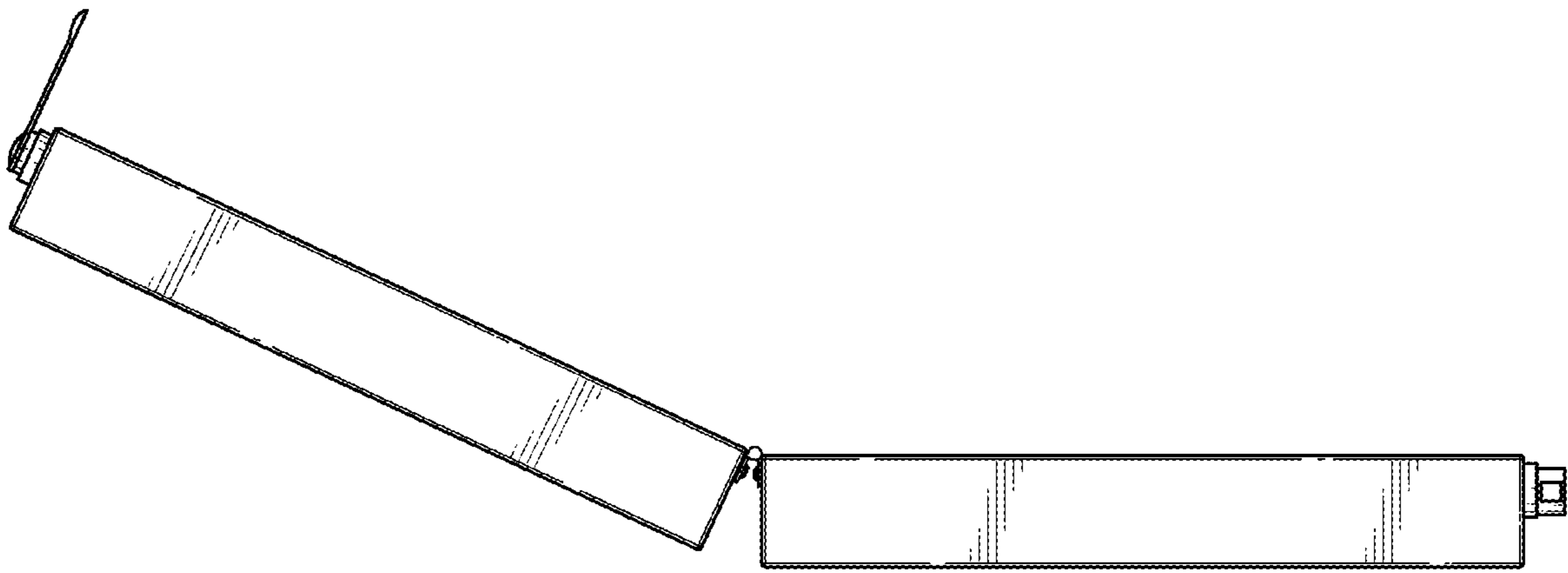


FIG. 7



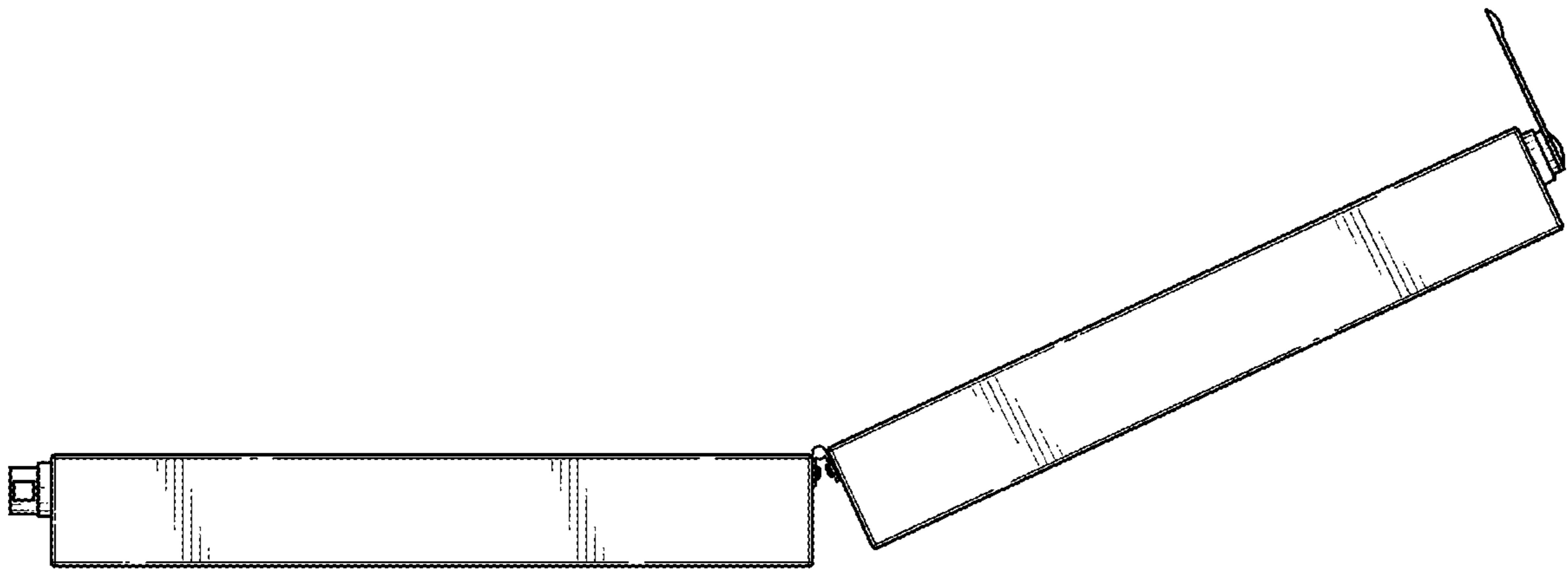


FIG. 8

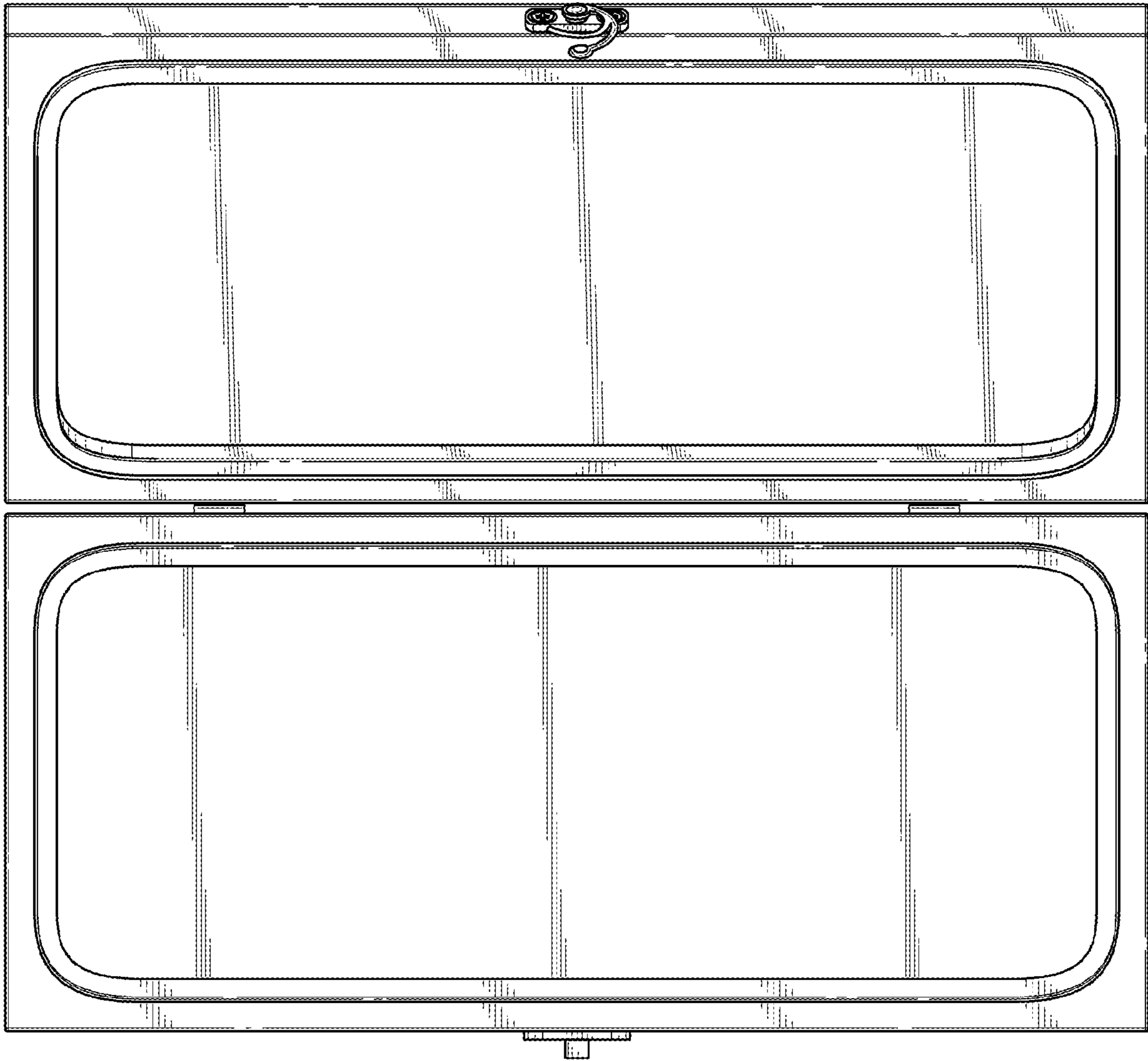


FIG. 9

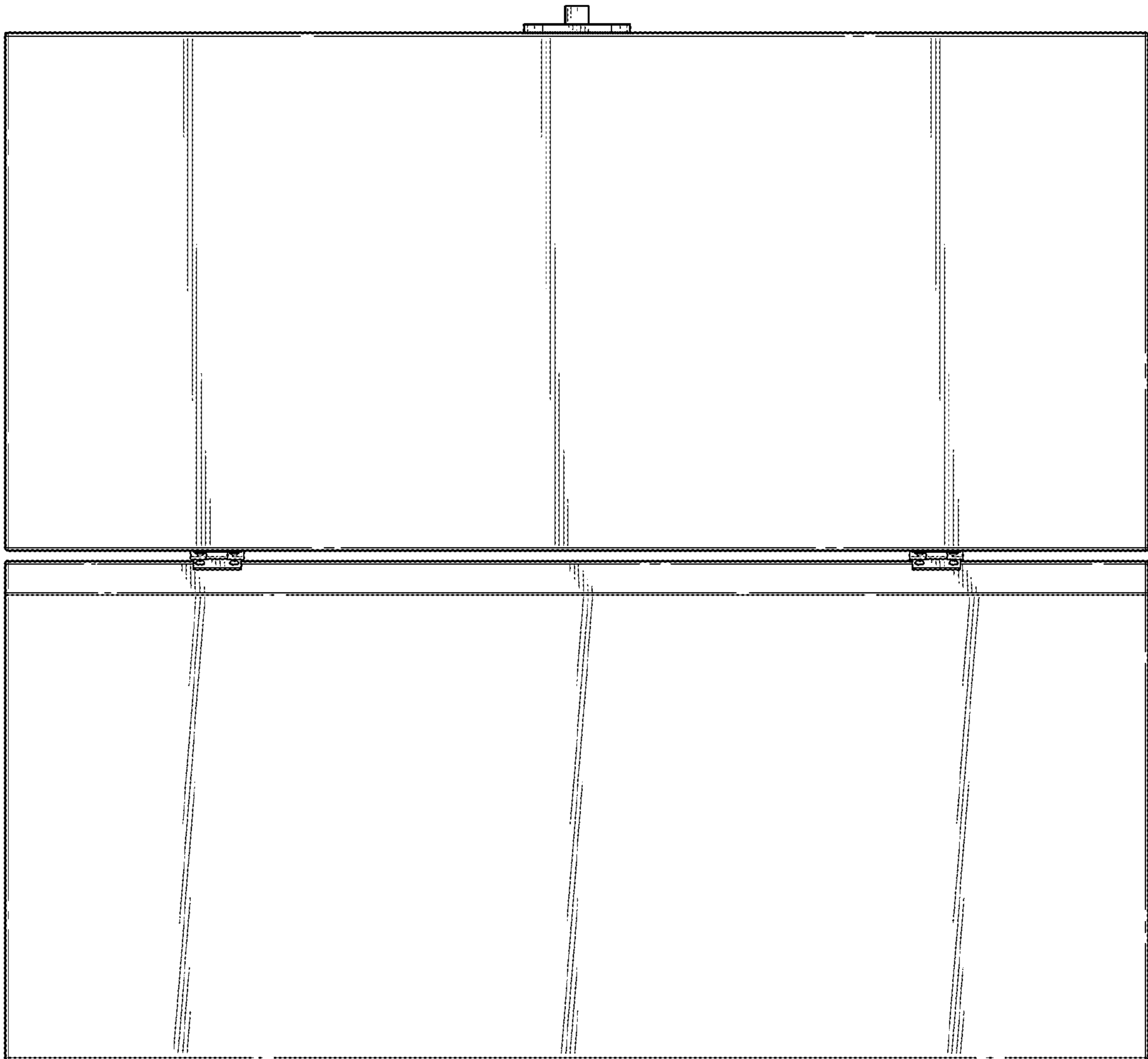


FIG. 10