



US0D1006422S

(12) **United States Design Patent** (10) **Patent No.:** **US D1,006,422 S**
Dente (45) **Date of Patent:** **** Dec. 5, 2023**

(54) **HEEL TRACTION DEVICE** 1,493,322 A 5/1924 Carter et al.
1,552,946 A 9/1925 Frederick
(71) Applicant: **Dentec Safety Specialists Inc.,** 1,564,307 A 12/1925 Antonio et al.
Newmarket (CA) 1,596,832 A 8/1926 Heinemann
(Continued)

(72) Inventor: **Claudio S. Dente,** Newmarket (CA)

(73) Assignee: **Dentec Safety Specialists Inc.,**
Newmarket (CA)

(**) Term: **15 Years**

(21) Appl. No.: **29/747,786**

(22) Filed: **Aug. 25, 2020**

(30) **Foreign Application Priority Data**

Jul. 27, 2020 (CA) CA 197134

(51) **LOC (14) Cl.** **02-04**

(52) **U.S. Cl.**
USPC **D2/962**

(58) **Field of Classification Search**
USPC D2/906, 908, 911, 914, 915, 943, 946,
D2/947, 951, 954, 959, 962, 968, 976,
D2/978

CPC A43C 15/00; A43C 15/04; A43C 15/06;
A43C 15/065; A43C 15/066; A43C
13/02; A43B 5/18; A43B 5/185; A43B
23/28

See application file for complete search history.

(56) **References Cited**

U.S. PATENT DOCUMENTS

183,949 A 10/1876 Loewenthal
1,117,019 A 11/1914 Foltz
1,195,866 A 8/1916 Stephan
1,275,917 A 8/1918 Herman
1,386,028 A 8/1921 Roe
1,437,376 A 11/1922 Young
1,458,497 A 6/1923 Perkins

FOREIGN PATENT DOCUMENTS

CA 1112865 A 11/1981
CA 2355803 A1 2/2002
(Continued)

OTHER PUBLICATIONS

Heel Traction Aid, PR, announced Dec. 17, 2012 [online], [site visited Aug. 17, 2022]. Available from internet, URL: <https://www.amazon.com/Due-North-HEELTRACTIONAID-Traction-Black/dp/B00APPWGQQ> (Year: 2012).*

(Continued)

Primary Examiner — Leanne Was-Englehart
Assistant Examiner — Yelizaveta Y Masalimova
(74) *Attorney, Agent, or Firm* — DORSEY & WHITNEY LLP

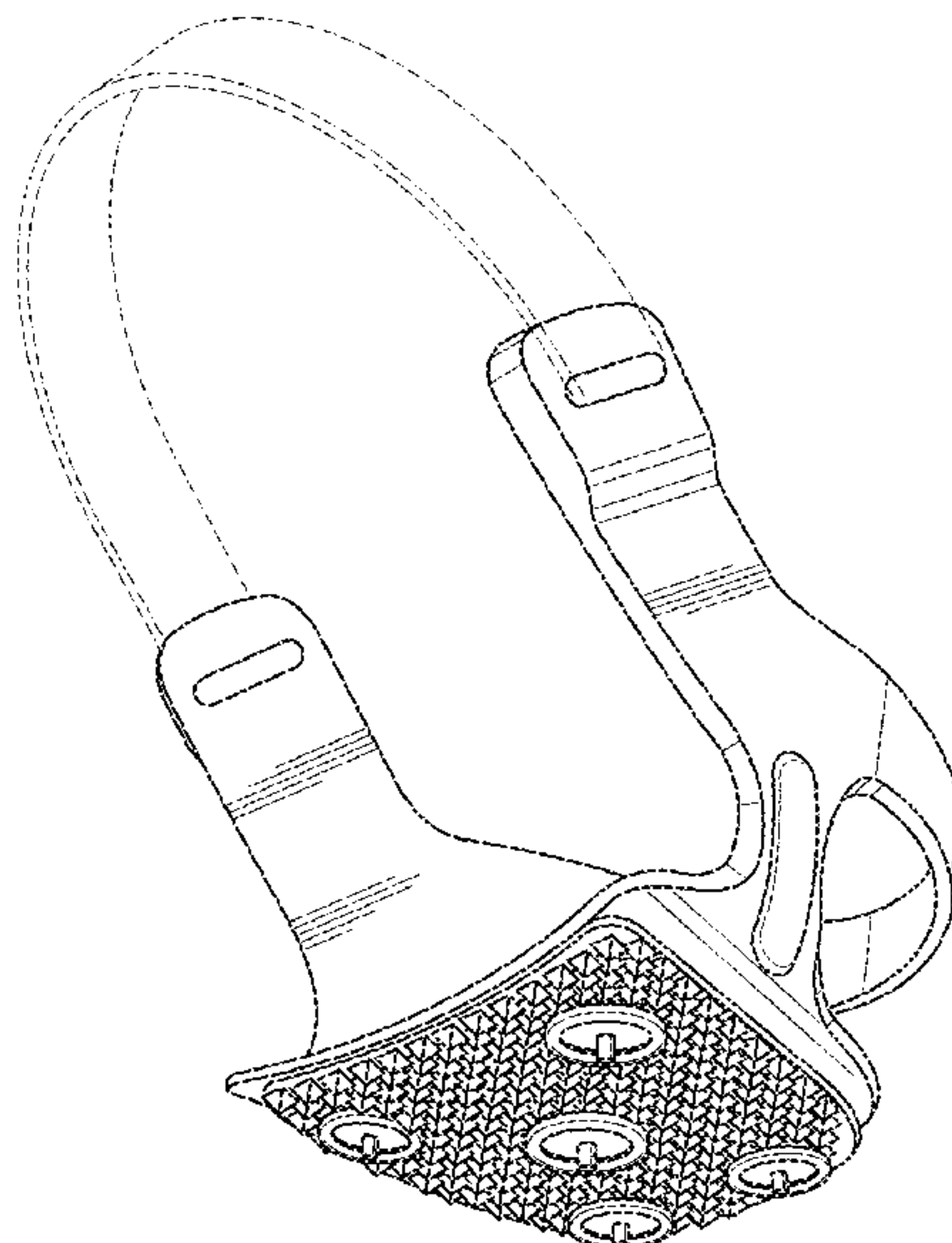
(57) **CLAIM**

The ornamental design for a heel traction device, as shown and described.

DESCRIPTION

FIG. 1 is a top perspective view of a heel traction device, according to a new design;
FIG. 2 is a bottom perspective view thereof;
FIG. 3 is a top plan view thereof;
FIG. 4 is a bottom plan view thereof;
FIG. 5 is a right elevational side view thereof;
FIG. 6 is a left elevational side view thereof;
FIG. 7 is a front elevational view thereof; and,
FIG. 8 is a rear elevational view thereof.
The broken lines in the drawings depict portions of the heel traction device that form no part of the claimed design.

1 Claim, 4 Drawing Sheets



(56)

References Cited

U.S. PATENT DOCUMENTS

1,757,919 A 5/1930 Ostrander
 1,869,988 A * 8/1932 Vellner A43C 15/04
 36/72 B
 2,128,134 A 8/1938 Nicola
 2,166,958 A 7/1939 Lawson
 2,170,691 A 8/1939 Mutter
 2,189,884 A 2/1940 Dow
 2,208,200 A 7/1940 Sloan
 2,296,660 A 9/1942 Bowman
 2,313,316 A * 3/1943 Block A43C 15/065
 36/62
 2,366,649 A 1/1945 Priess
 2,422,335 A 6/1947 Maurice
 2,636,175 A 4/1953 Hoffman
 2,658,289 A 11/1953 Schrieber
 2,668,373 A 2/1954 Russo
 2,836,428 A 5/1958 Hannes
 2,932,096 A 4/1960 Vincenzo
 3,021,617 A 2/1962 Koch
 3,095,657 A 7/1963 Fradette
 3,176,416 A 4/1965 Seegert
 3,214,850 A 11/1965 McNair
 3,229,389 A 1/1966 George
 3,616,552 A 11/1971 Kniffin et al.
 3,713,233 A 1/1973 Hunnicutt
 D242,090 S * 11/1976 Wilson D2/915
 4,005,533 A 2/1977 Anderson et al.
 4,116,462 A 9/1978 Buel
 4,299,037 A 11/1981 Carey
 D262,157 S 12/1981 Kinchen et al.
 4,461,100 A 7/1984 Minor et al.
 4,525,939 A * 7/1985 McNeil A43C 15/06
 36/114
 D287,660 S * 1/1987 Strickland D2/915
 4,662,082 A * 5/1987 Shabazz A43B 23/30
 36/72 B
 4,772,041 A 9/1988 Klosterman
 D313,111 S 12/1990 McKinstry
 D336,559 S 6/1993 Carmichael
 5,315,768 A 5/1994 Pacheco
 D352,381 S * 11/1994 Rose D2/915
 5,463,823 A 11/1995 Bell et al.
 5,485,687 A 1/1996 Rohde
 5,600,901 A 2/1997 Leonor
 5,689,901 A 11/1997 Bell et al.
 5,694,704 A 12/1997 Kasbrick
 5,813,143 A 9/1998 Bell et al.
 5,836,090 A 11/1998 Smith
 5,857,271 A 1/1999 Pallatin
 5,921,005 A 7/1999 Bell et al.
 5,926,979 A 7/1999 Borel
 5,967,531 A 10/1999 Sallet
 6,099,018 A 8/2000 Maravetz et al.
 6,154,982 A 12/2000 Bell et al.
 6,301,804 B1 10/2001 Battaglia
 6,742,286 B2 6/2004 Giovale
 6,775,927 B2 * 8/2004 Glicksman A43B 21/52
 36/72 B
 6,836,977 B2 1/2005 Larson et al.
 6,931,769 B2 8/2005 Mahoney et al.
 7,089,688 B2 8/2006 Giovale
 7,555,850 B2 7/2009 Park
 7,686,321 B2 3/2010 Cunningham et al.
 RE42,965 E 11/2011 Larson et al.
 D648,104 S * 11/2011 Bolden D2/915
 8,371,045 B2 2/2013 Tambay
 RE44,193 E 5/2013 Larson et al.
 9,161,593 B2 * 10/2015 Larson A43B 3/18
 D807,005 S 1/2018 Savio et al.
 D831,320 S 10/2018 Savio et al.
 D879,443 S 3/2020 Fridgen
 D928,490 S * 8/2021 Kang D2/962
 D964,718 S 9/2022 Savio
 11,439,204 B2 9/2022 Dente

11,464,277 B2 * 10/2022 Nachmani A43C 15/02
 D971,572 S * 12/2022 Nelson D2/962
 D976,552 S * 1/2023 Kang D2/962
 2003/0052473 A1 3/2003 Perkins et al.
 2003/0145489 A1 8/2003 Major
 2004/0035024 A1 2/2004 Kao
 2004/0045190 A1 3/2004 Washburn et al.
 2004/0049943 A1 3/2004 Glicksman
 2005/0022430 A1 2/2005 Terry
 2005/0198860 A1 9/2005 Larson et al.
 2007/0056187 A1 3/2007 Burgess
 2007/0113424 A1 5/2007 Bell
 2007/0163148 A1 7/2007 Laporte
 2008/0040947 A1 2/2008 Burgess
 2008/0263903 A1 10/2008 An
 2009/0049711 A1 2/2009 Finch
 2010/0088929 A1 4/2010 Comoli
 2011/0047829 A1 3/2011 Bell et al.
 2013/0042503 A1 2/2013 Larson et al.
 2016/0366982 A1 12/2016 Chaney et al.
 2017/0251765 A1 * 9/2017 Romeril A43C 15/068
 2020/0138147 A1 5/2020 Fogg et al.
 2021/0401125 A1 12/2021 Decaire
 2022/0031025 A1 2/2022 Dente
 2022/0031026 A1 * 2/2022 Dente A43C 15/167
 D2/962

FOREIGN PATENT DOCUMENTS

CA 2555916 A1 9/2005
 CA 2355803 C 10/2008
 CA 2555916 C 6/2009
 CA 169322 S 2/2017
 CA 169323 S 2/2017
 CA 2844620 C 9/2017
 CA 182847 S 9/2019
 CA 197133 S 5/2022
 CA 197134 * 5/2022
 CA 197134 S 5/2022
 DE 102008006267 B3 7/2009
 KR 100983316 B1 9/2010

OTHER PUBLICATIONS

STABILicers Heel Traction Cleats for Job Safety on Snow and Ice, announced Oct. 31, 2014 [online], [site visited Aug. 17, 2022]. Available from internet, URL: <https://www.amazon.com/STABILicers-STABIL-Traction-Steel-Cleat/dp/B00P1R969I/> (Year: 2014).*

Devisys Heel Traction Aid, announced Oct. 2, 2017 [online], [site visited Aug. 17, 2022]. Available from internet, URL: <https://www.amazon.com/Heel-Traction-Aid-Black-PR/dp/B00HY16NYA> (Year: 2017).*

ICETRED™ Heel Traction Devices, announced Sep. 1, 2021 [online], [site visited Aug. 17, 2022]. Available from internet, URL: https://www.youtube.com/watch?v=JNaZh1i0_SY&list=PLolZolfyI0KrmIVJIK4YYIdj2QZHv3hvH&t=4s (Year: 2021).*

Corrected Notice of Allowance for U.S. Appl. No. 17/389,617 dated Jan. 17, 2023.

Ex Parte Quayle Action for U.S. Appl. No. 29/747,779 dated Aug. 24, 2022.

Issue Notification for U.S. Appl. No. 17/230,703 dated Aug. 24, 2022.

Non-Final Office Action for U.S. Appl. No. 17/389,617 dated Sep. 16, 2022.

Notice of Allowance for U.S. Appl. No. 17/230,703 dated Mar. 24, 2022.

Notice of Allowance for U.S. Appl. No. 17/230,703 dated May 9, 2022.

Notice of Allowance for U.S. Appl. No. 17/389,617 dated Jan. 10, 2023.

Notice of Allowance for U.S. Appl. No. 29/747,779 dated Nov. 21, 2023.

Restriction Requirement for U.S. Appl. No. 17/389,617 dated Jun. 27, 2022.

(56)

References Cited

OTHER PUBLICATIONS

“Devisys Anti-Slip Devices”, <https://www.devisys.fi/language/en/en/> last accessed Apr. 25, 2022, 9 pages.

“Due North Qwik Grip Mid-Sole”, <https://www.amazon.com/Due-North-Qwik-Grip/dp/B0876VGMZK?th=1>, 2020, 8 pages.

“K1 Mid-Sole”, SureWerx <https://icecleats.surewerx.com/s/product/a0K3x00000vpXUdEAM/k1-midsole> last accessed Apr. 25, 2022, 3 pages.

“Rip Cleats”, <https://ripscleats.com/> last accessed Apr. 25, 2022, 4 pages.

* cited by examiner

Fig. 1

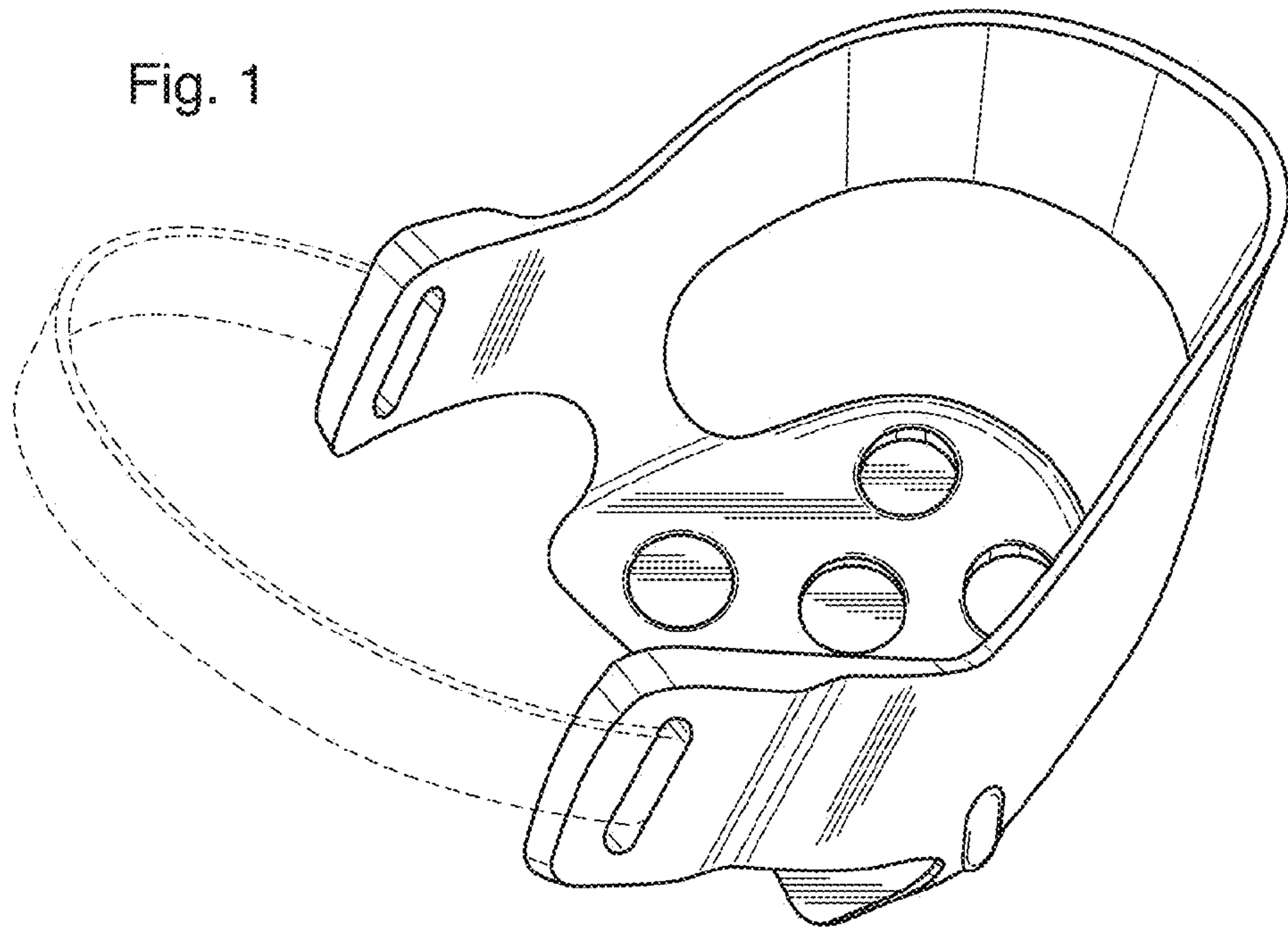
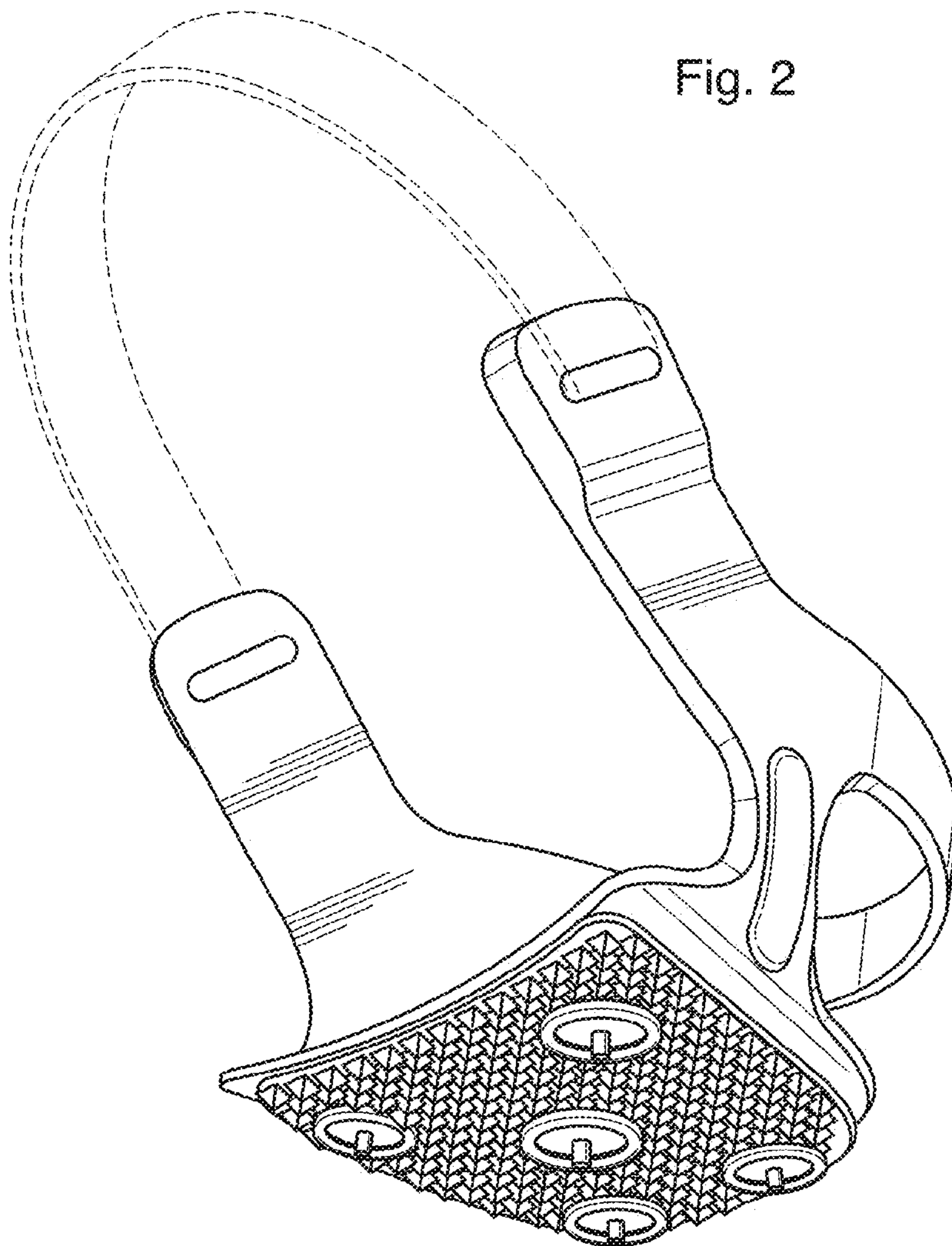


Fig. 2



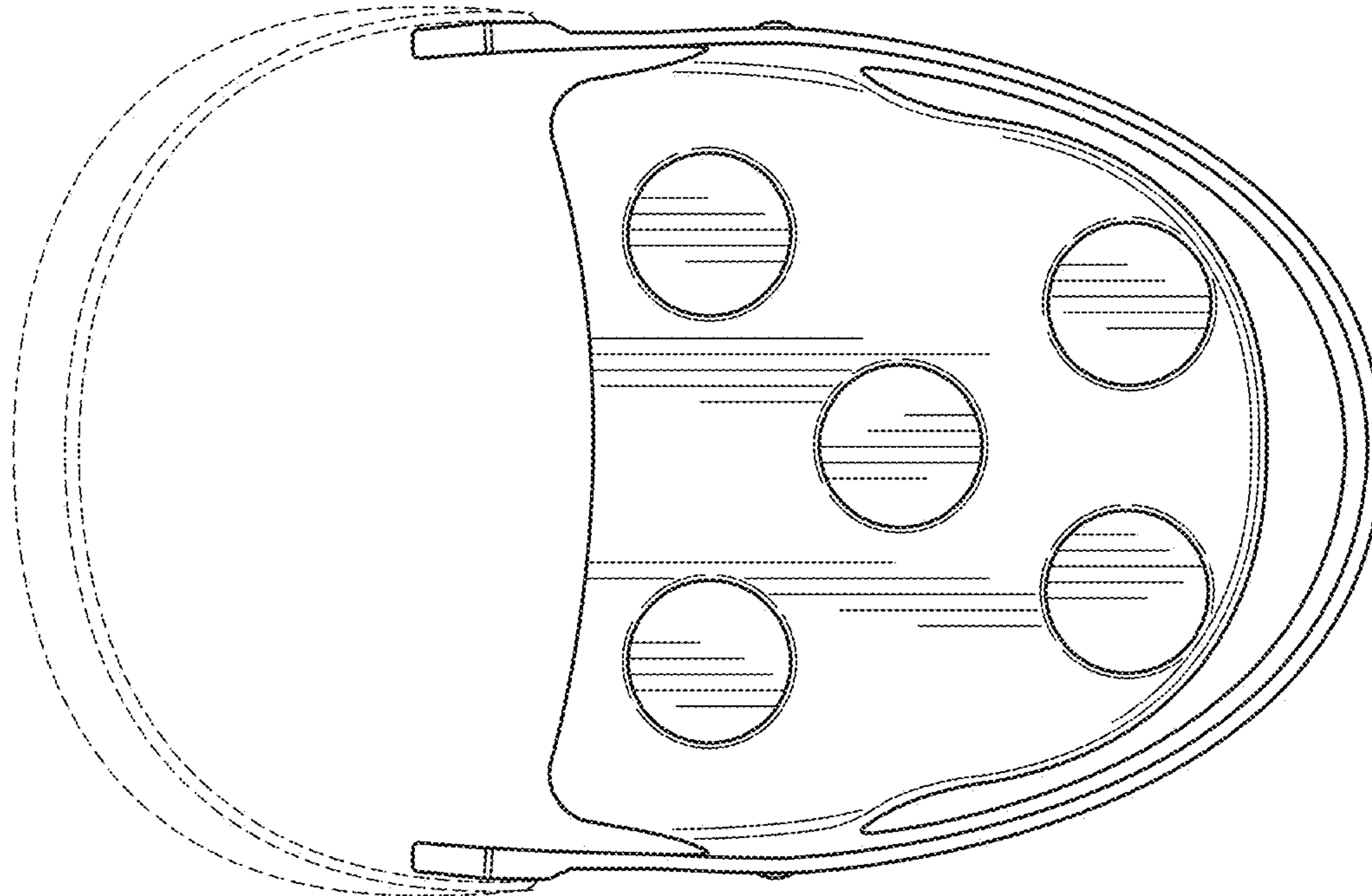


Fig. 3

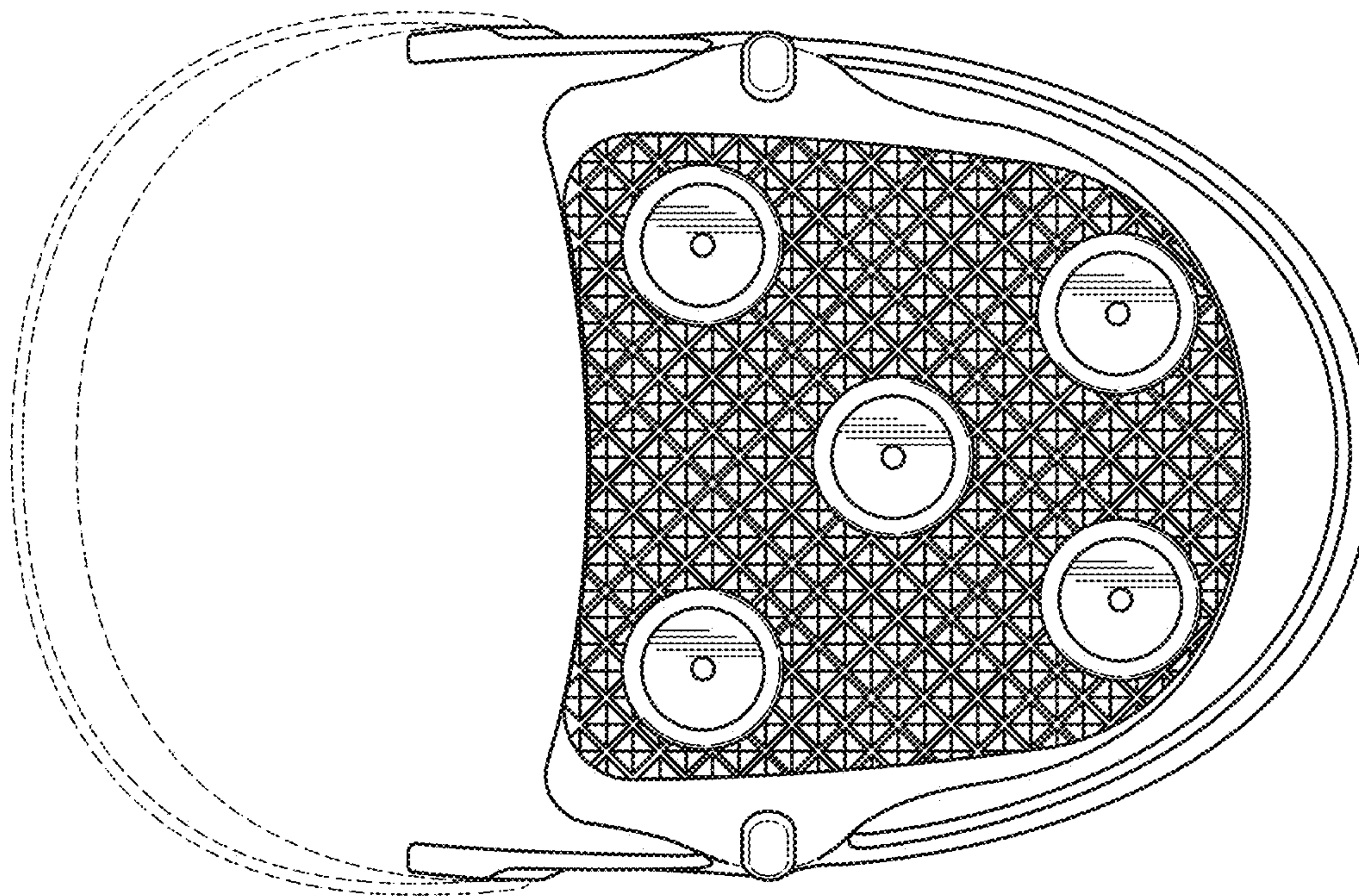


Fig. 4

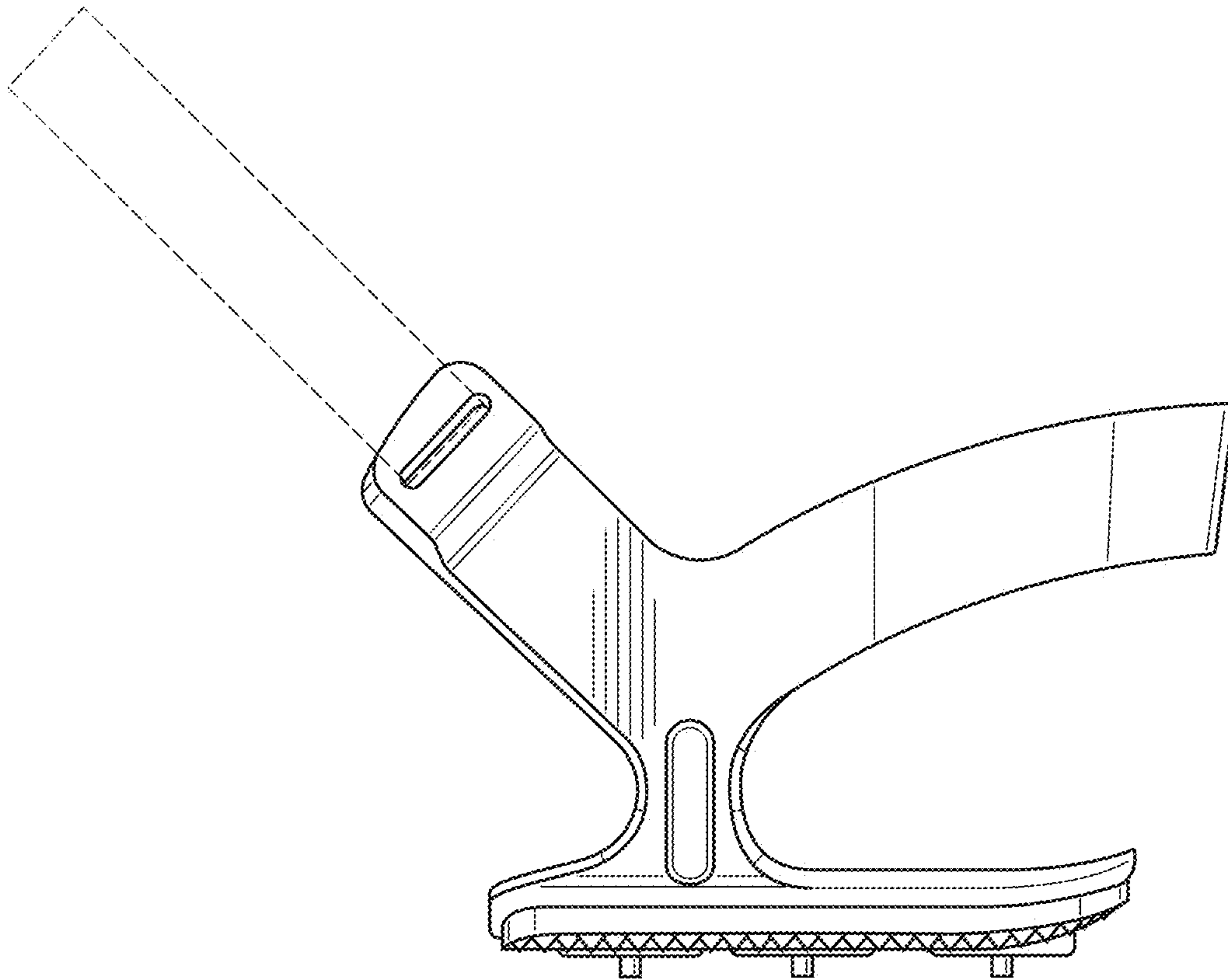


Fig. 5

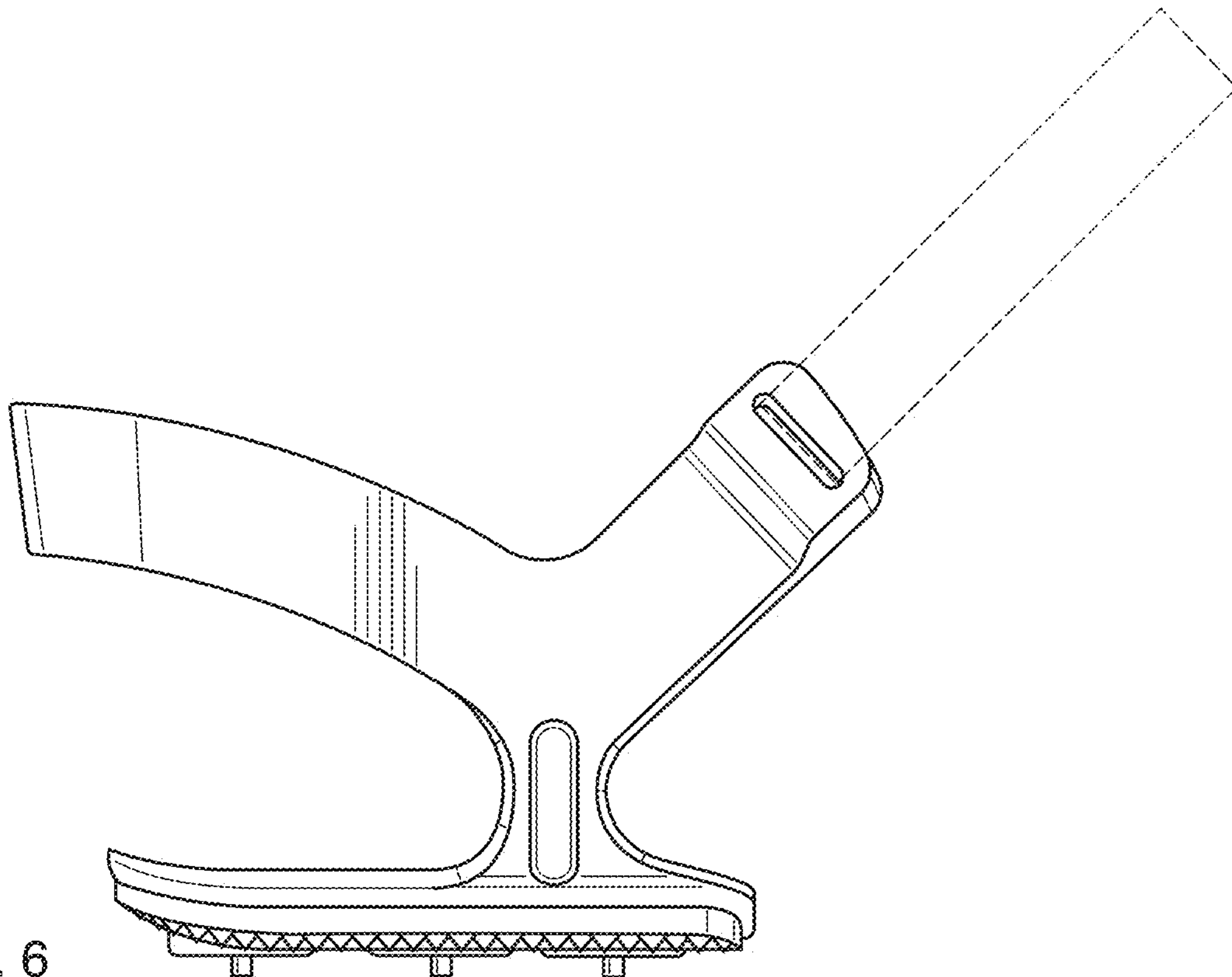


Fig. 6

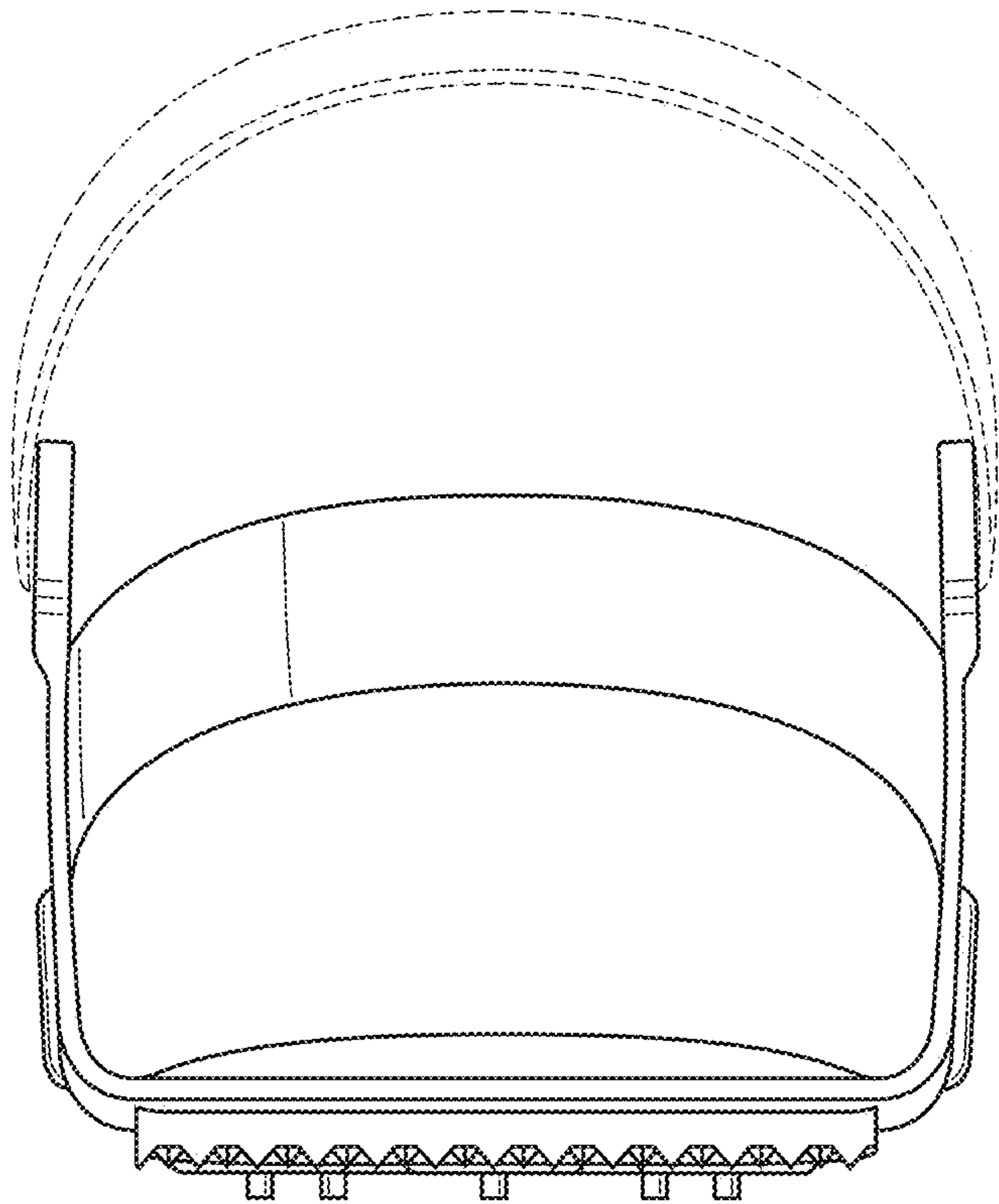


Fig. 7

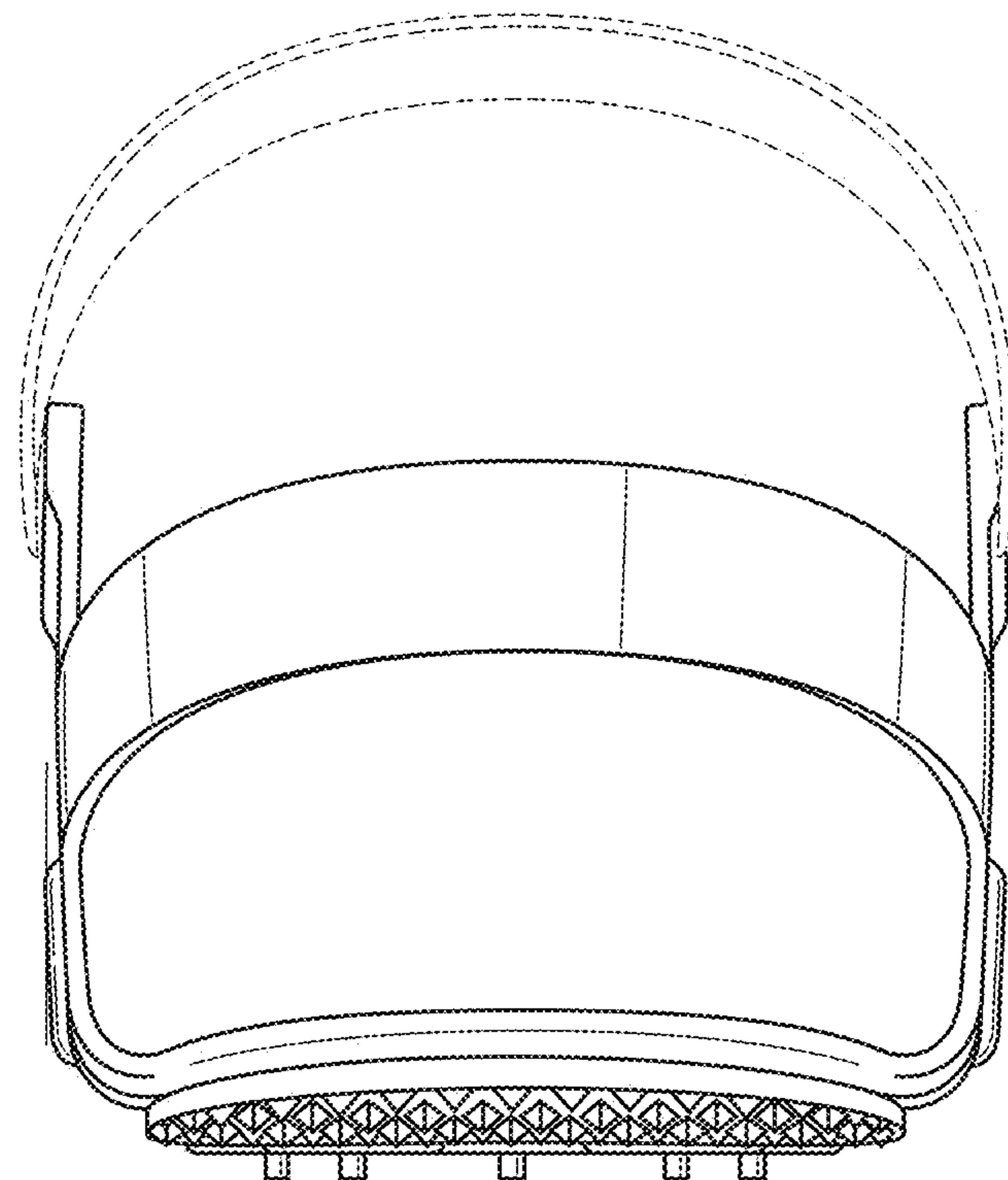


Fig. 8