



US0D1006421S

(12) **United States Design Patent** (10) **Patent No.:** **US D1,006,421 S**
Dente (45) **Date of Patent:** **** Dec. 5, 2023**

(54) **MID-SOLE TRACTION DEVICE**

FOREIGN PATENT DOCUMENTS

(71) Applicant: **Dentec Safety Specialists Inc.,**
Newmarket (CA)

CA 1112865 A 11/1981
CA 2355803 A1 2/2002

(Continued)

(72) Inventor: **Claudio S. Dente,** Newmarket (CA)

OTHER PUBLICATIONS

(73) Assignee: **Dentec Safety Specialists Inc.,**
Newmarket (CA)

Due North Qwik Grip Mid-Sole, announced Apr. 16, 2020 [online],
[site visited Aug. 18, 2022]. Available from internet, URL: <https://www.amazon.com/Due-North-Qwik-Grip/dp/B0876VGMZK?th=1>
(Year: 2020).*

(**) Term: **15 Years**

(Continued)

(21) Appl. No.: **29/747,779**

(22) Filed: **Aug. 25, 2020**

Primary Examiner — Leanne Was-Englehart

Assistant Examiner — Yelizaveta Y Masalimova

(30) **Foreign Application Priority Data**

Jul. 27, 2020 (CA) CA 197133

(74) *Attorney, Agent, or Firm* — DORSEY & WHITNEY
LLP

(51) **LOC (14) Cl.** **02-04**

(57) **CLAIM**

(52) **U.S. Cl.**

USPC **D2/962**

The ornamental design for a mid-sole traction device, as
shown and described.

(58) **Field of Classification Search**

USPC D2/906, 908, 911, 914, 915, 943, 946,
D2/947, 951, 954, 959, 962, 968, 976,
D2/978

DESCRIPTION

CPC A43C 15/00; A43C 15/02; A43C 15/04;
A43C 15/06; A43C 15/065; A43C
15/066; A43C 13/02; A43B 5/18; A43B
5/185; A43B 23/20; A43B 23/28

See application file for complete search history.

FIG. 1 is a top perspective view of a mid-sole traction
device, according to a first embodiment;
FIG. 2 is a bottom perspective view thereof;
FIG. 3 is a top plan view thereof;
FIG. 4 is a bottom plan view thereof;
FIG. 5 is a left elevational side view thereof;
FIG. 6 is a right elevational side view thereof;
FIG. 7 is a front elevational view thereof;
FIG. 8 is a rear elevational view thereof;
FIG. 9 is a top perspective view of a mid-sole traction
device, according a second embodiment; and,
FIG. 10 is a bottom perspective view thereof.

(56) **References Cited**

U.S. PATENT DOCUMENTS

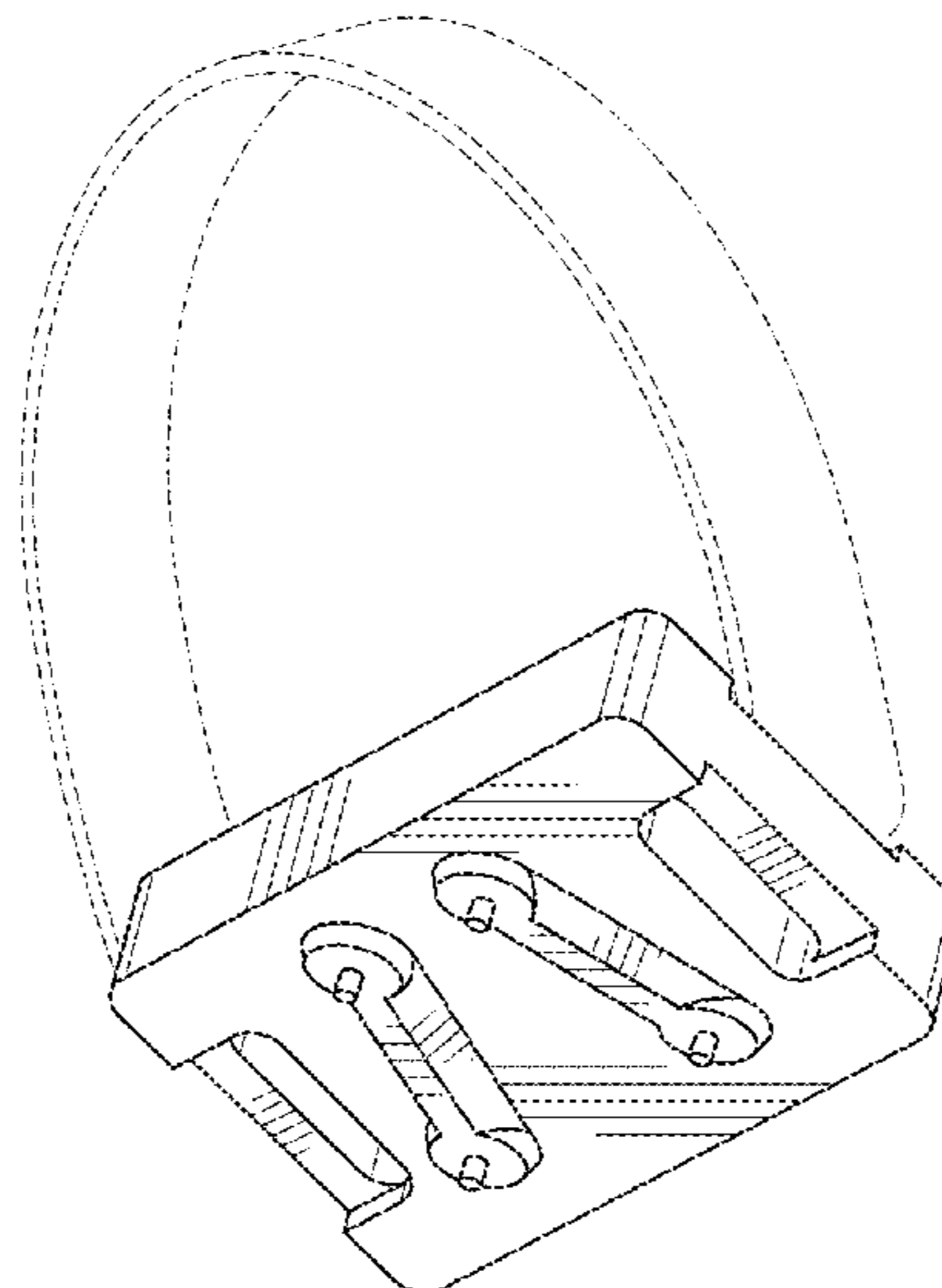
183,949 A 10/1876 Lowenthal
1,117,019 A 11/1914 Foltz
1,195,866 A 8/1916 Stephan
1,275,917 A * 8/1918 Herman A43C 15/063
D2/962

The broken lines in the drawings depict portions of the
mid-sole traction device that form no part of the claimed
design.

1,386,028 A 8/1921 Roe
1,437,376 A 11/1922 Young

(Continued)

1 Claim, 5 Drawing Sheets



(56)

References Cited

U.S. PATENT DOCUMENTS

1,458,497 A 6/1923 Perkins
 1,493,322 A 5/1924 Carter et al.
 1,552,946 A 9/1925 Frederick
 1,564,307 A 12/1925 Antonio et al.
 1,596,832 A 8/1926 Heinemann
 1,757,919 A 5/1930 Ostrander
 1,869,988 A 8/1932 Stephen
 2,128,134 A 8/1938 Nicola
 2,166,958 A 7/1939 Lawson
 2,170,691 A 8/1939 Mutter
 2,189,884 A 2/1940 Dow
 2,208,200 A * 7/1940 Sloan A43C 15/065
 36/62
 2,296,660 A * 9/1942 Bowman A43C 15/063
 36/62
 2,313,316 A 3/1943 Block
 2,366,649 A * 1/1945 Priess A43C 15/063
 36/62
 2,422,335 A 6/1947 Maurice
 2,636,175 A * 4/1953 Hoffman, Jr. A41D 27/136
 2/323
 2,658,289 A * 11/1953 Schrieber A43C 15/063
 36/7.7
 2,668,373 A 2/1954 Russo
 2,836,428 A 5/1958 Hannes
 2,932,096 A 4/1960 Vincenzo
 3,021,617 A 2/1962 Koch
 3,095,657 A 7/1963 Fradette
 3,176,416 A 4/1965 Seegert
 3,214,850 A 11/1965 McNair
 3,229,389 A 1/1966 George
 3,616,552 A 11/1971 Kniffin et al.
 3,713,233 A 1/1973 Hunnicutt
 D242,090 S 11/1976 Wilson
 4,005,533 A 2/1977 Anderson et al.
 4,116,462 A 9/1978 Buel
 4,299,037 A 11/1981 Carey
 D262,157 S * 12/1981 Kinchen A43C 15/063
 D2/962
 4,461,100 A 7/1984 Minor et al.
 4,525,939 A 7/1985 McNeil et al.
 D287,660 S 1/1987 Strickland
 4,662,082 A 5/1987 Shabazz
 4,772,041 A 9/1988 Klosterman
 D313,111 S 12/1990 McKinsty
 D336,559 S * 6/1993 Carmichael A43C 15/063
 D2/962
 5,315,768 A 5/1994 Pacheco
 D352,381 S 11/1994 Rose
 5,463,823 A 11/1995 Bell et al.
 5,485,687 A * 1/1996 Rohde A43C 15/02
 36/7.7
 5,600,901 A 2/1997 Leonor
 5,689,901 A 11/1997 Bell et al.
 5,694,704 A 12/1997 Kasbrick
 5,813,143 A 9/1998 Bell et al.
 5,836,090 A 11/1998 Smith
 5,857,271 A 1/1999 Pallatin
 5,921,005 A 7/1999 Bell et al.
 5,926,979 A 7/1999 Borel
 5,967,531 A 10/1999 Sallet
 6,099,018 A 8/2000 Maravetz et al.
 6,154,982 A 12/2000 Bell et al.
 6,301,804 B1 10/2001 Battaglia
 6,742,286 B2 6/2004 Giovale
 6,775,927 B2 8/2004 Glicksman
 6,836,977 B2 1/2005 Larson et al.
 6,931,769 B2 8/2005 Mahoney et al.
 7,089,688 B2 8/2006 Giovale
 7,555,850 B2 7/2009 Park
 7,686,321 B2 3/2010 Cunningham et al.
 RE42,965 E 11/2011 Larson et al.
 D648,104 S 11/2011 Bolden

8,371,045 B2 * 2/2013 Tambay A43C 15/063
 36/7.7
 RE44,193 E 5/2013 Larson et al.
 9,161,593 B2 10/2015 Larson et al.
 D807,005 S * 1/2018 Savio A43C 15/063
 D2/962
 D831,320 S * 10/2018 Savio A41D 27/136
 D2/962
 D879,443 S * 3/2020 Fridgen A43C 15/063
 D2/962
 D928,490 S 8/2021 Kang
 D964,718 S * 9/2022 Savio D2/962
 11,439,204 B2 * 9/2022 Dente A43C 15/02
 11,464,277 B2 10/2022 Nachmani
 D971,572 S * 12/2022 Nelson D2/962
 D976,552 S * 1/2023 Kang D2/962
 2003/0052473 A1 3/2003 Perkins et al.
 2003/0145489 A1 8/2003 Major
 2004/0035024 A1 2/2004 Kao
 2004/0045190 A1 3/2004 Washburn et al.
 2004/0049943 A1 3/2004 Glicksman
 2005/0022430 A1 2/2005 Terry
 2005/0198860 A1 9/2005 Larson et al.
 2007/0056187 A1 3/2007 Burgess
 2007/0113424 A1 5/2007 Bell
 2007/0163148 A1 7/2007 Laporte
 2008/0040947 A1 2/2008 Burgess
 2008/0263903 A1 10/2008 An
 2009/0049711 A1 2/2009 Finch
 2010/0088929 A1 4/2010 Comoli
 2011/0047829 A1 3/2011 Bell et al.
 2013/0042503 A1 2/2013 Larson et al.
 2016/0366982 A1 12/2016 Chaney et al.
 2017/0251765 A1 9/2017 Romeril
 2020/0138147 A1 * 5/2020 Fogg A43C 1/00
 2021/0401125 A1 * 12/2021 DeCaire A43C 15/063
 2022/0031025 A1 * 2/2022 Dente A43C 15/065
 2022/0031026 A1 2/2022 Dente

FOREIGN PATENT DOCUMENTS

CA 2555916 A1 9/2005
 CA 2355803 C 10/2008
 CA 2555916 C 6/2009
 CA 169322 S 2/2017
 CA 169323 S 2/2017
 CA 2844620 C 9/2017
 CA 182847 S 9/2019
 CA 197133 * 5/2022
 CA 197134 S 5/2022
 DE 102008006267 B3 7/2009
 KR 100983316 B1 9/2010

OTHER PUBLICATIONS

Corrected Notice of Allowance for U.S. Appl. No. 17/389,617 dated Jan. 17, 2023.
 Ex Parte Quayle Action for U.S. Appl. No. 29/747,786 dated Aug. 24, 2022.
 Issue Notification for U.S. Appl. No. 17/230,703 dated Aug. 24, 2022.
 Non-Final Office Action for U.S. Appl. No. 17/389,617 dated Sep. 16, 2022.
 Notice of Allowance for U.S. Appl. No. 17/230,703 dated Mar. 24, 2022.
 Notice of Allowance for U.S. Appl. No. 17/230,703 dated May 9, 2022.
 Notice of Allowance for U.S. Appl. No. 17/389,617 dated Jan. 10, 2023.
 Notice of Allowance for U.S. Appl. No. 29/747,786, filed Nov. 21, 2022.
 Restriction Requirement for U.S. Appl. No. 17/389,617 dated Jun. 27, 2022.
 "Devisys Anti-Slip Devices", <https://www.devisys.fi/language/en/> last accessed Apr. 25, 2022, 9 pages.

(56)

References Cited

OTHER PUBLICATIONS

“Devisys Heel Traction Aid, M, Black, PR”, <https://www.amazon.com/Heel-Traction-Aid-Black-PR/dp/B00HY16NYA>, 2017, 5 pages.

“Heel Traction Aid, PR”, <https://www.amazon.com/Due-North-HEELTRACTIONAID-Traction-Black/dp/B00APPWGQQ>, 2012, 6 pages.

“ICETRED Heel Traction Devices”, https://youtube.com/watch?v=JNaZh1i0_SY&list=PLolZolfyIOKrmIVJIK4YYldj2QZHv3hvH&t=4s, 2021, 3 pages.

“K1 Mid-Sole”, SureWerx <https://icecleats.surewerx.com/s/product/a0K3x00000vpXUdEAM/k1-midsole> last accessed Apr. 25, 2022, 3 pages.

“Rip Cleats”, <https://ripscleats.com/> last accessed Apr. 25, 2022, 4 pages.

“STABILicers Heel Traction Cleats for Job Safety on Snow and Ice”, <https://www.amazon.com/STABILicers-STABIL-Traction-Steel-Cleat/dp/B00P1R9691>, 2014, 10 pages.

* cited by examiner

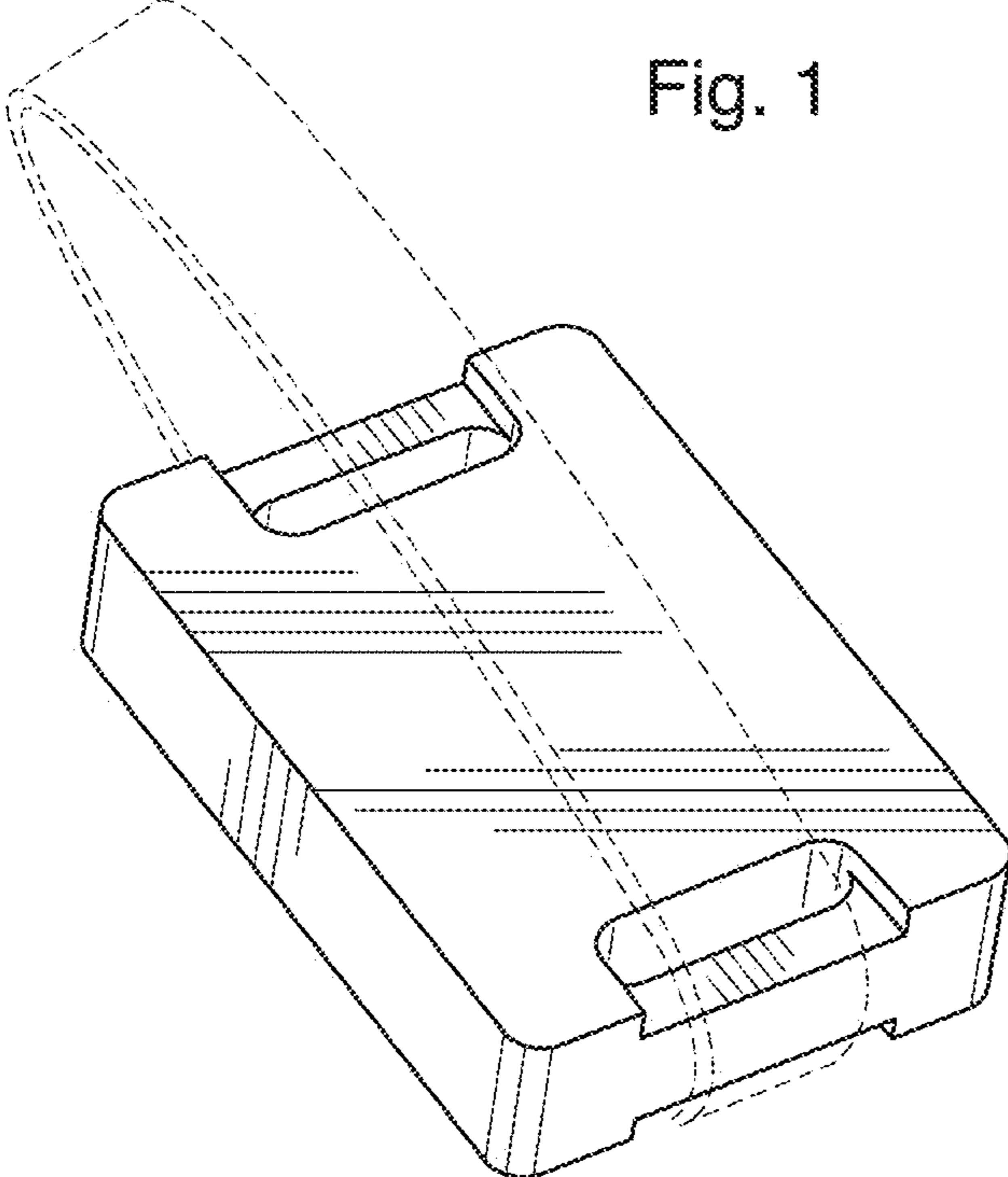


Fig. 1

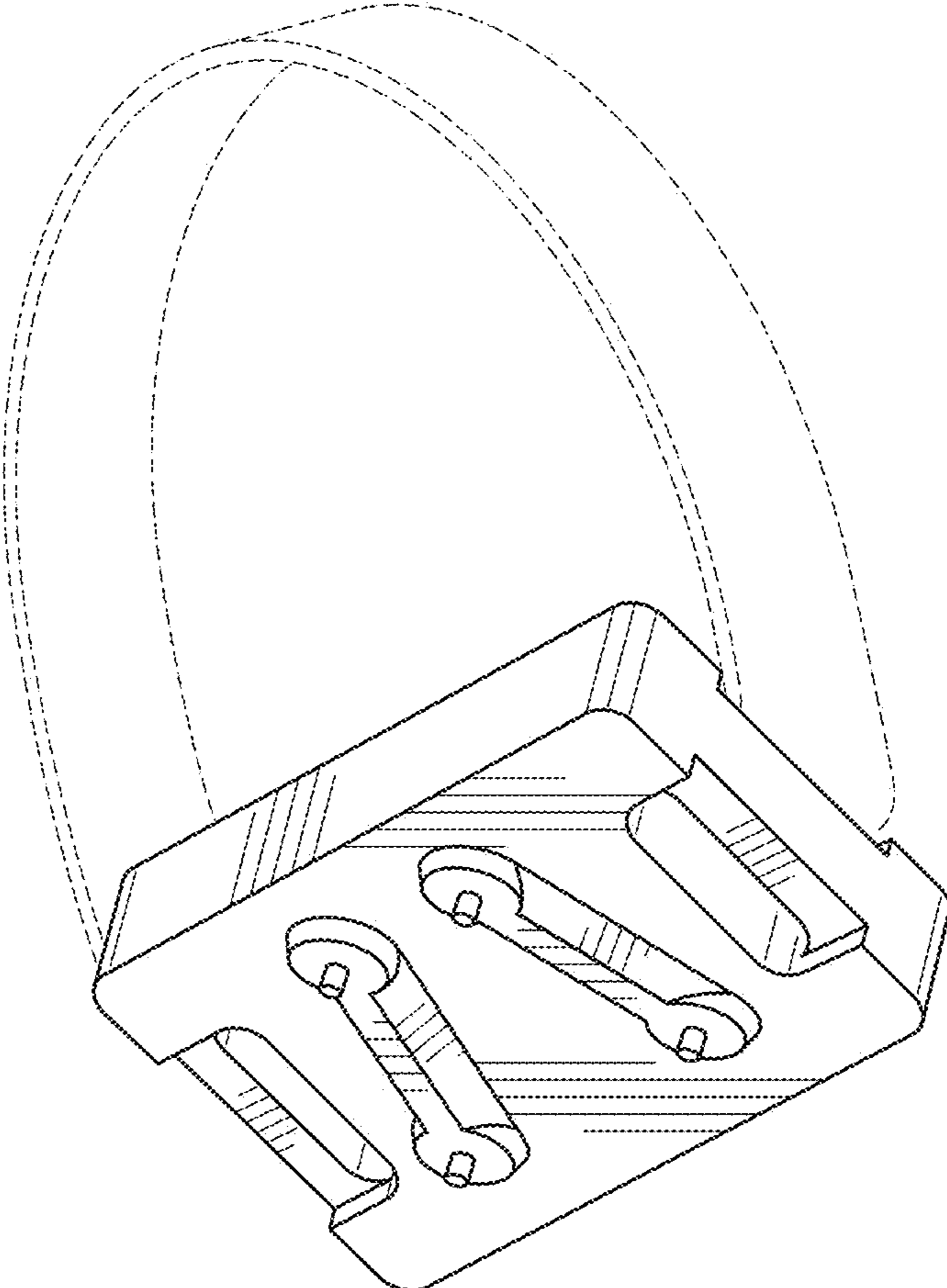


Fig. 2

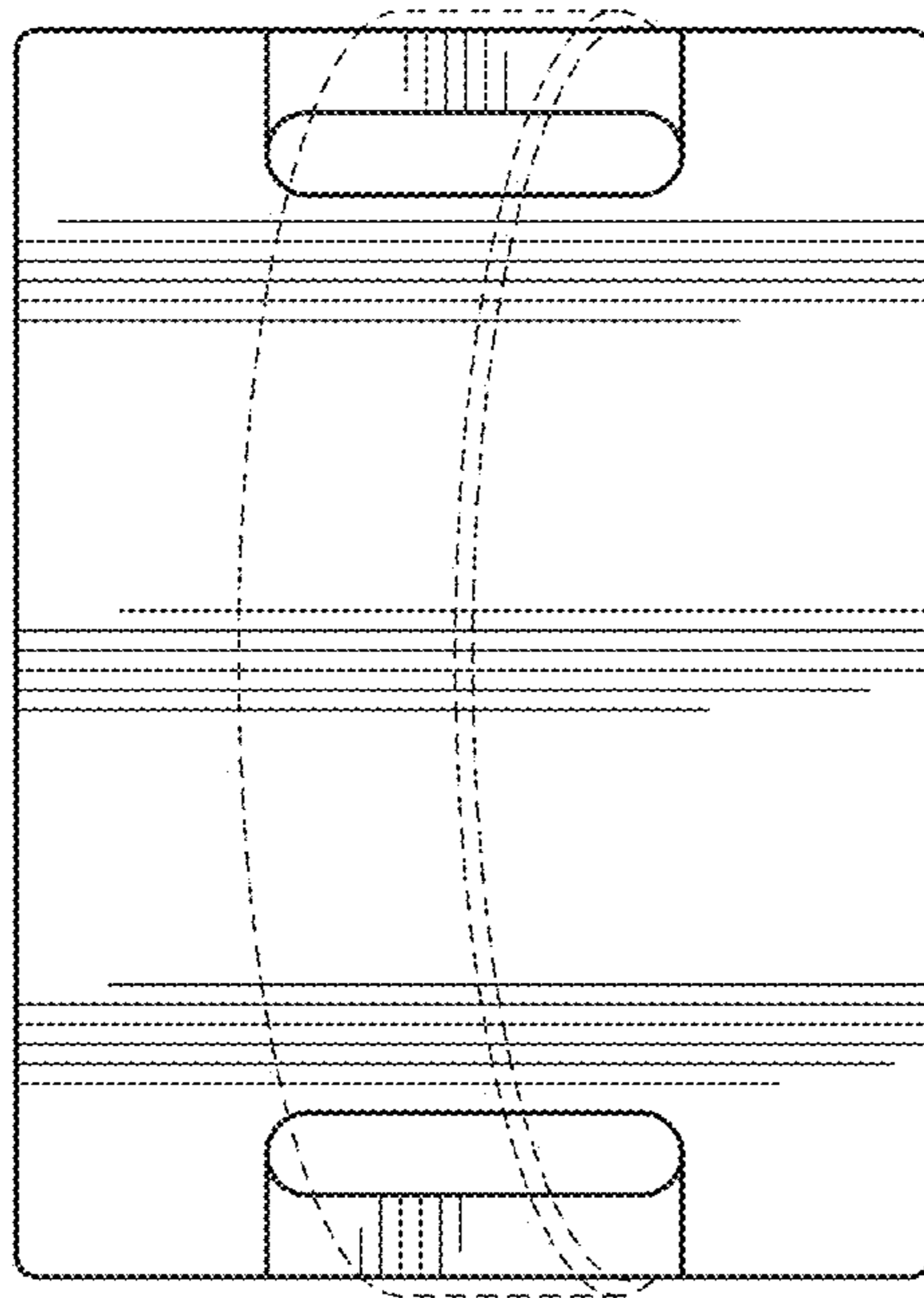


Fig. 3

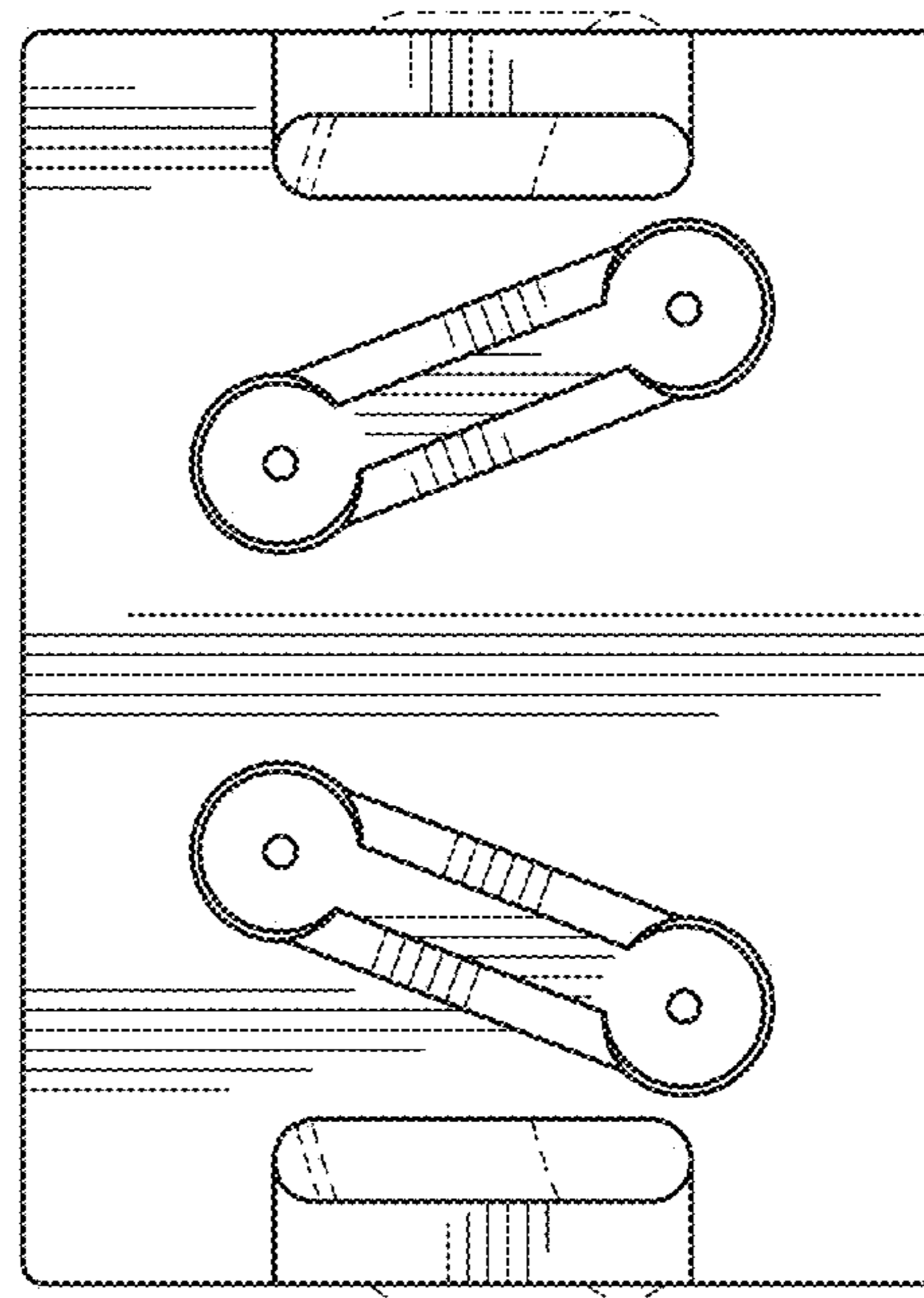


Fig. 4

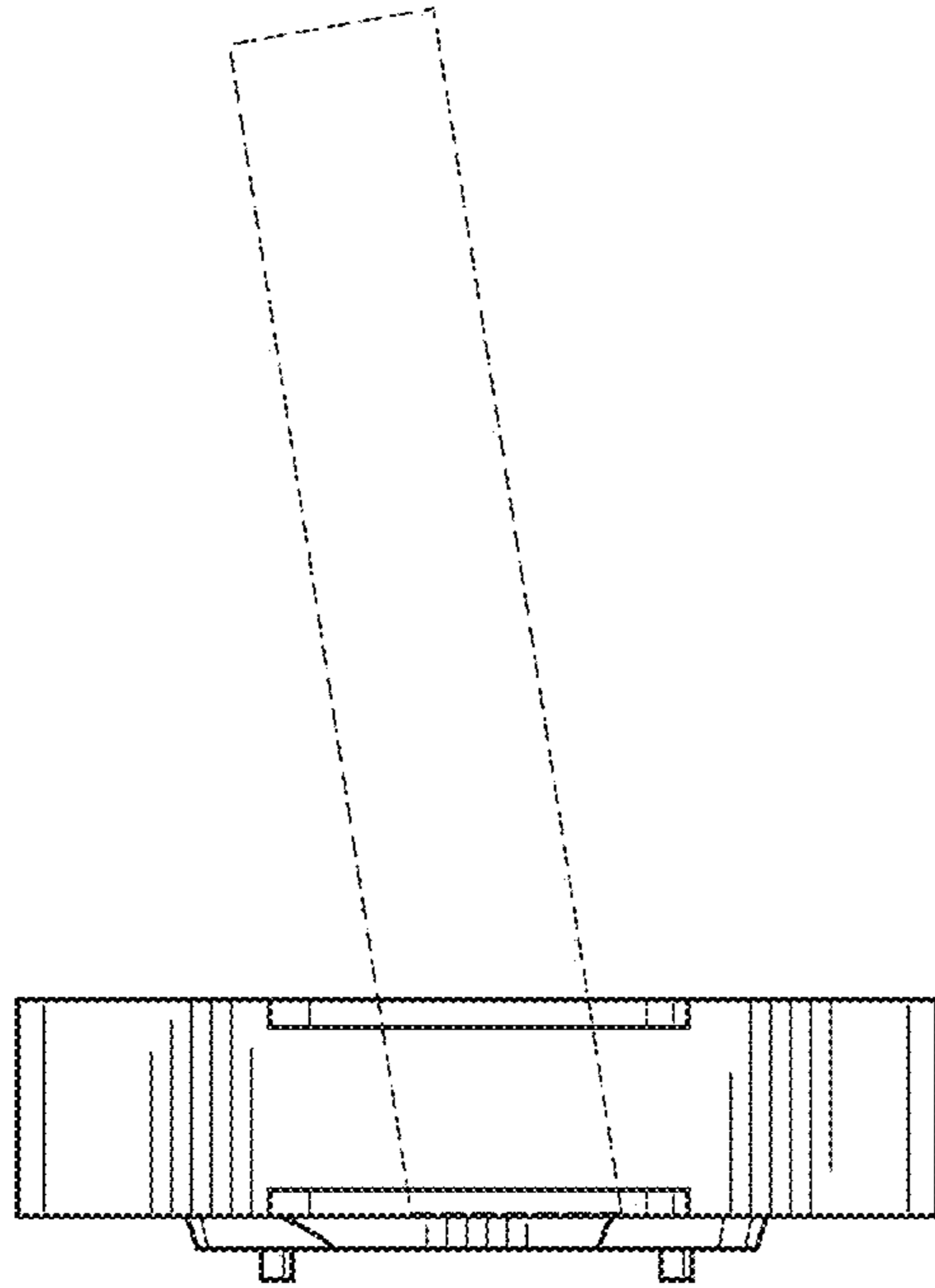


Fig. 5

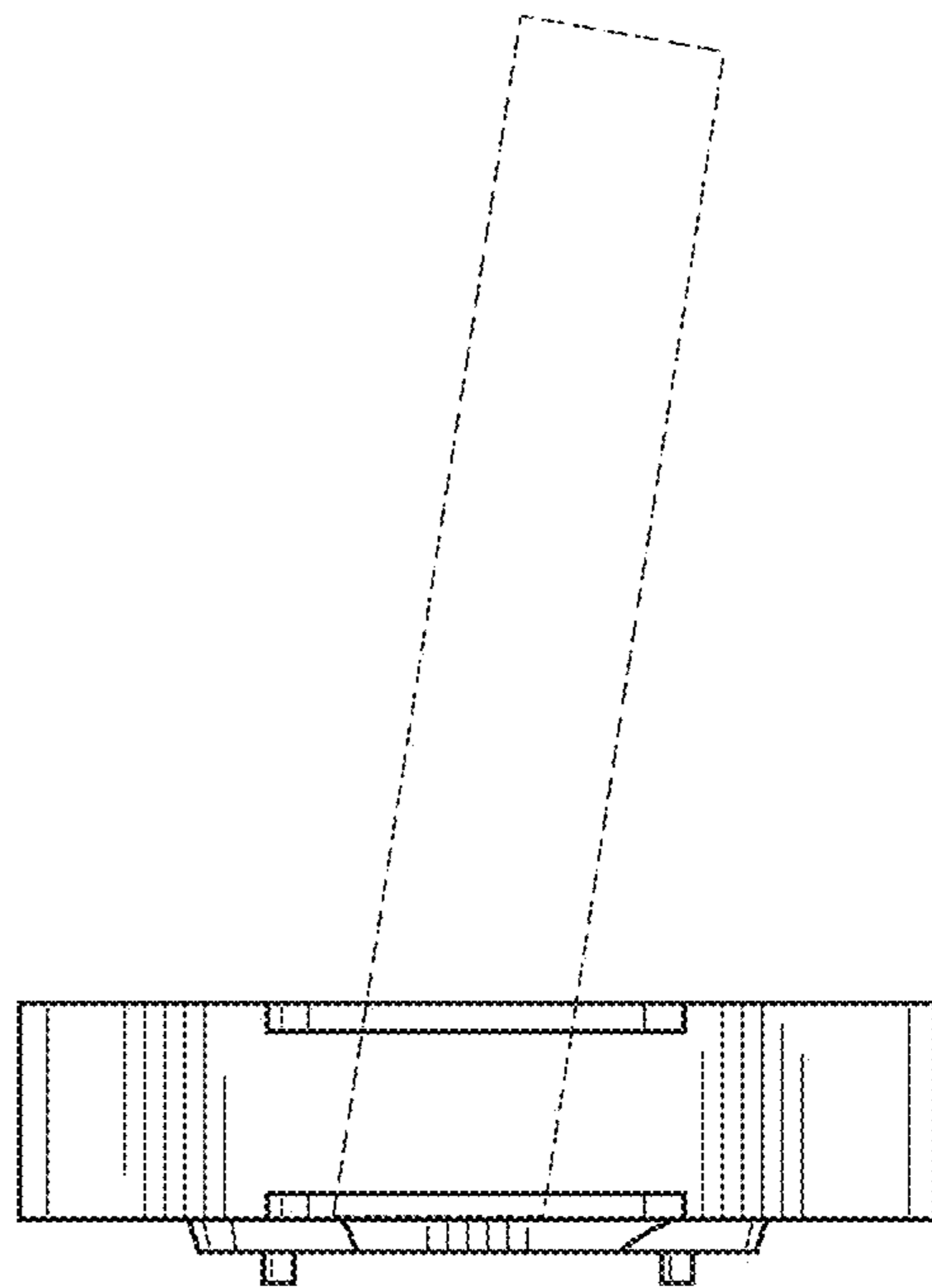


Fig. 6

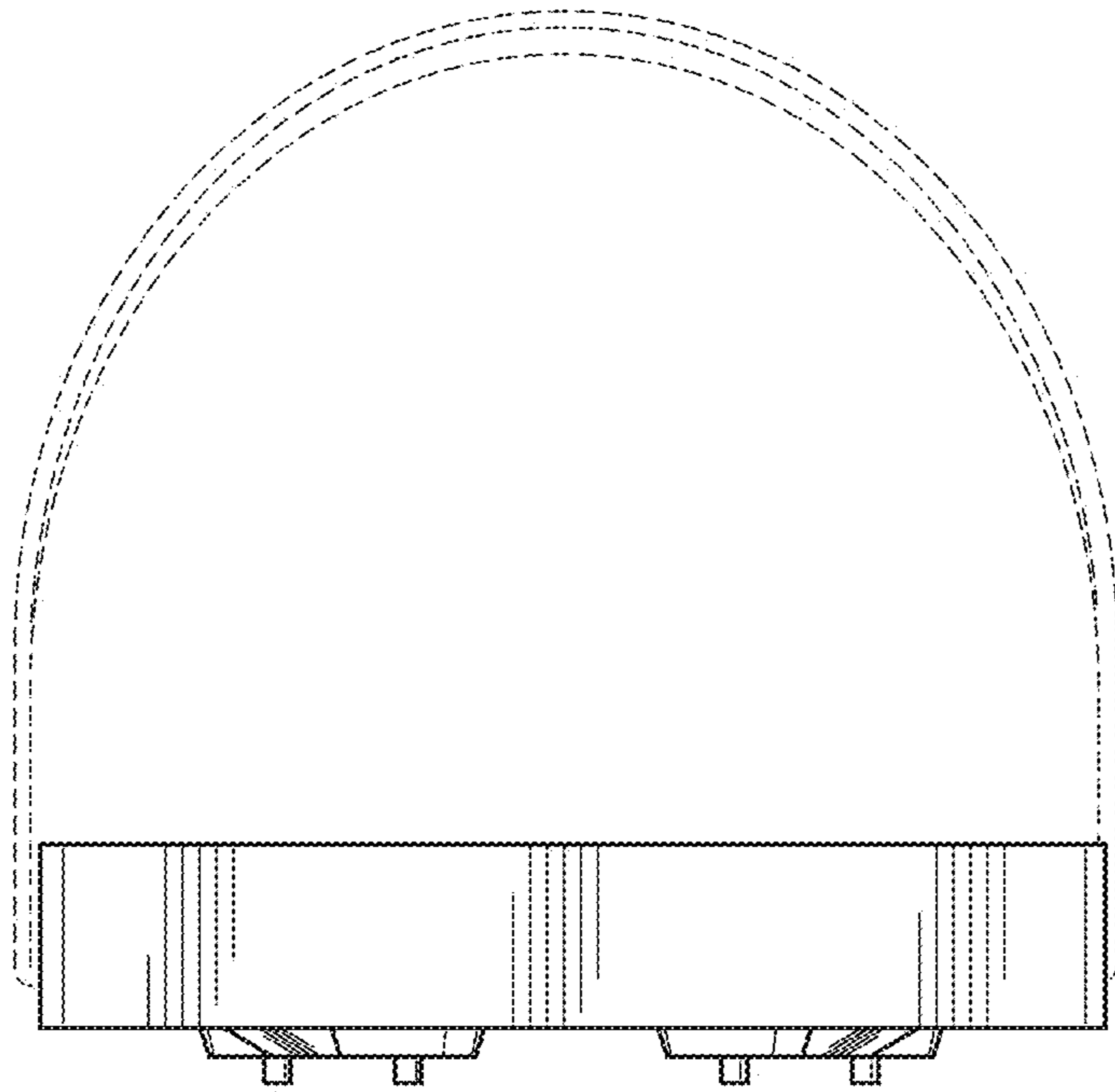


Fig. 7

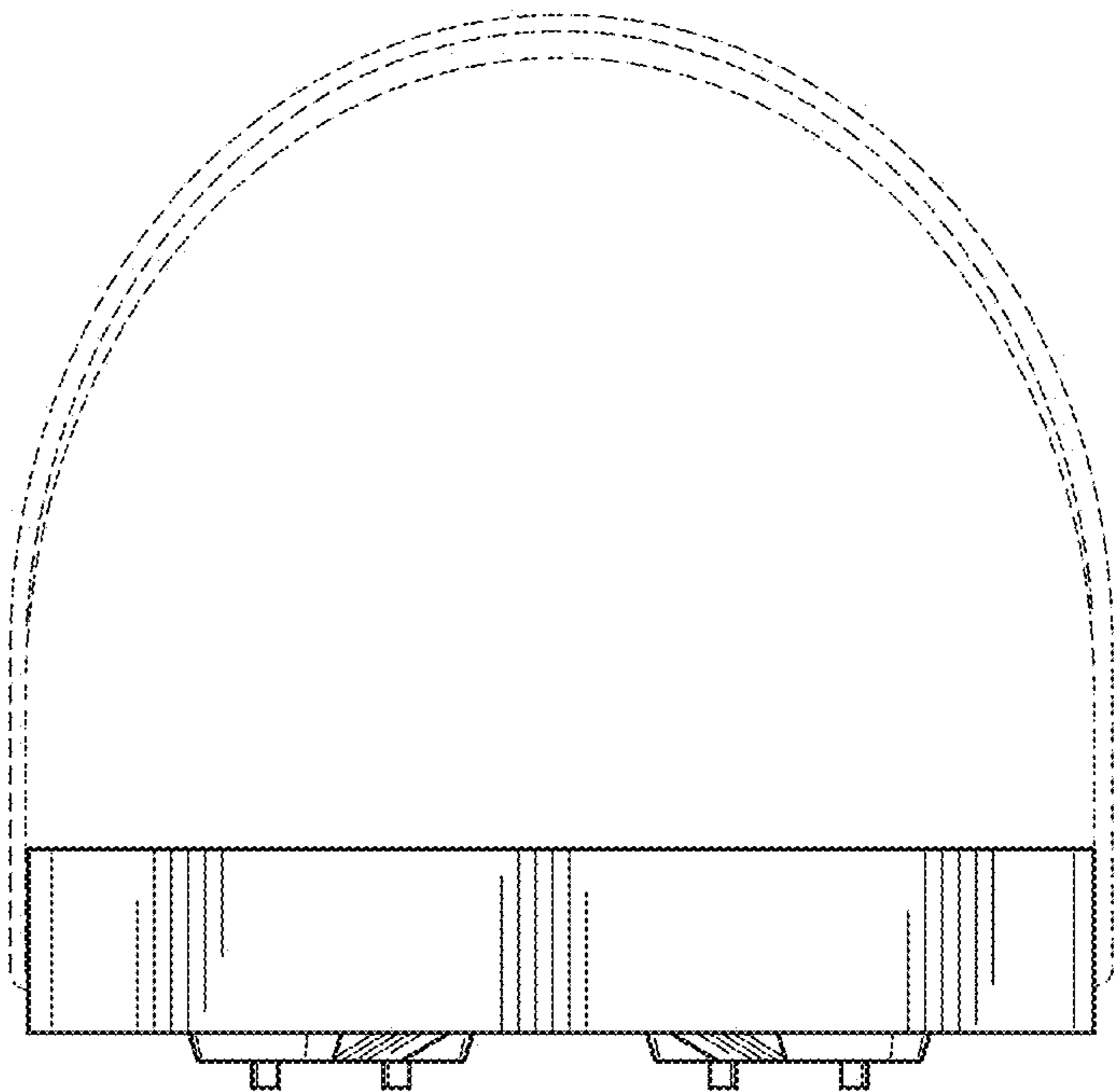


Fig. 8

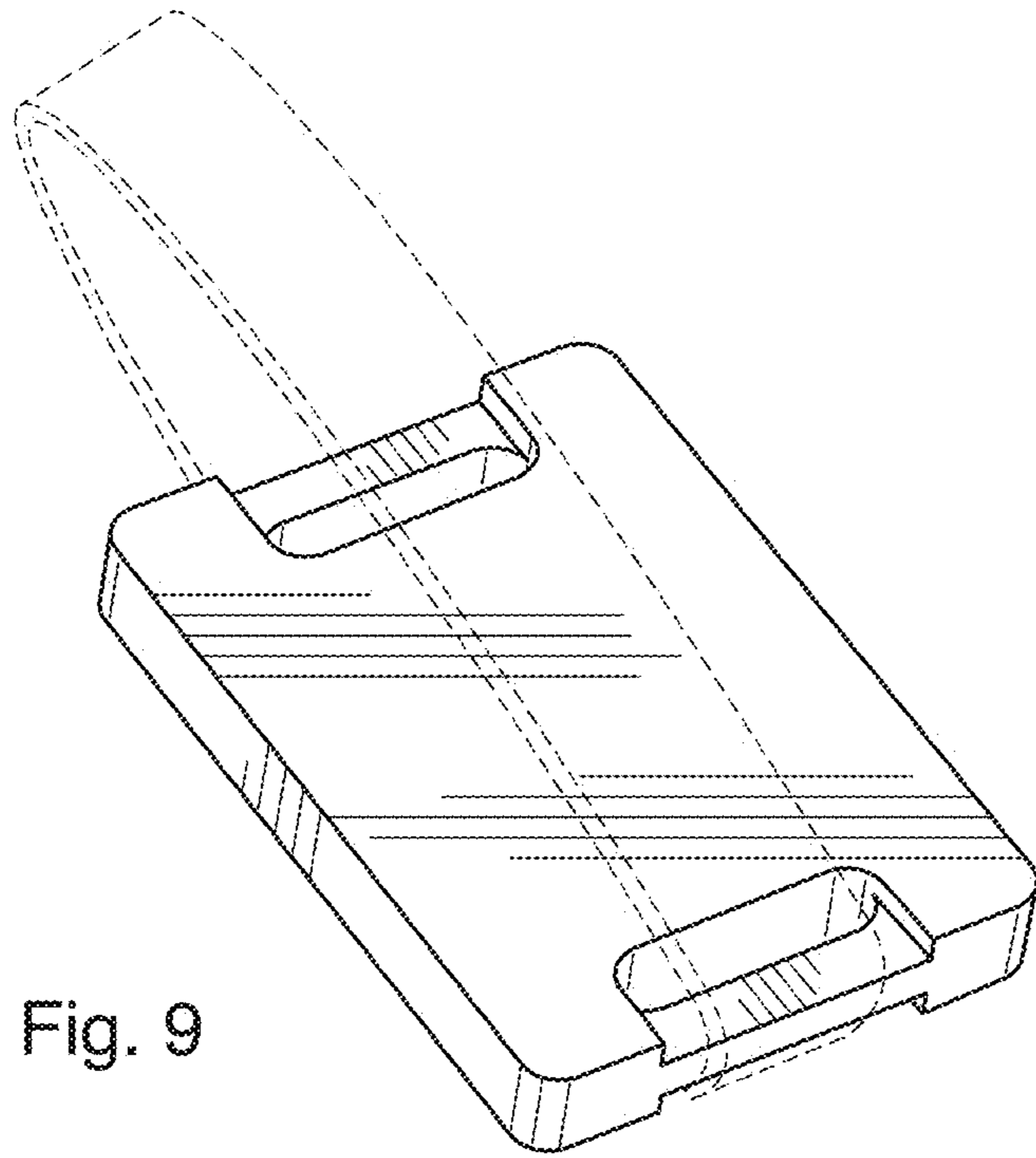


Fig. 9

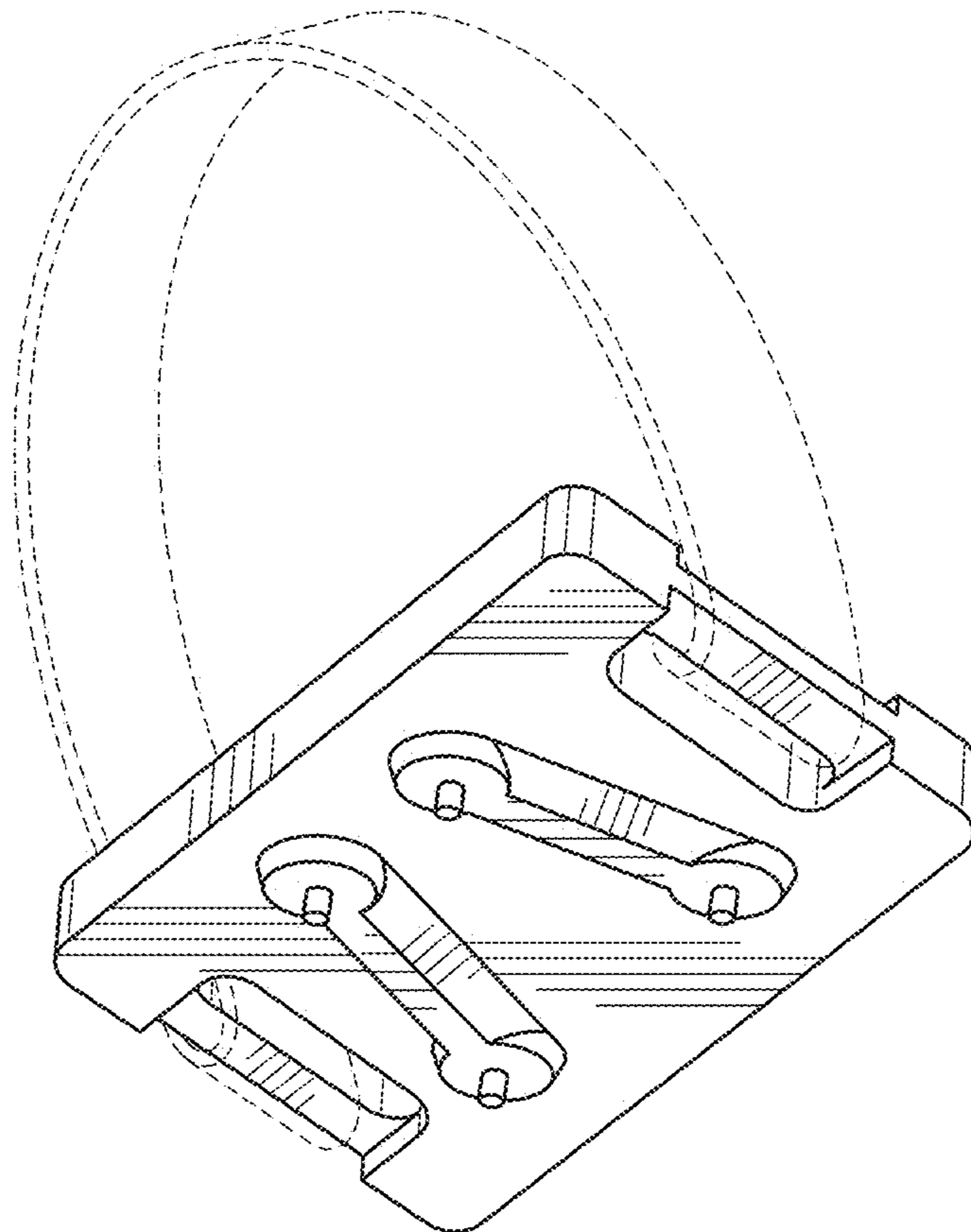


Fig. 10