



US0D1006282S

(12) **United States Design Patent** (10) **Patent No.:** **US D1,006,282 S**
Szuchmacher (45) **Date of Patent:** **** Nov. 28, 2023**

- (54) **LIGHT**
- (71) Applicant: **Mauricio Szuchmacher**, Coram, NY (US)
- (72) Inventor: **Mauricio Szuchmacher**, Coram, NY (US)
- (**) Term: **15 Years**
- (21) Appl. No.: **29/716,282**
- (22) Filed: **Dec. 9, 2019**

Related U.S. Application Data

- (63) Continuation-in-part of application No. 16/701,655, filed on Dec. 3, 2019, now Pat. No. 11,191,607.
- (51) **LOC (14) Cl.** **26-05**
- (52) **U.S. Cl.**
USPC **D26/62; D26/61**
- (58) **Field of Classification Search**
USPC D26/37, 43, 44, 60, 61, 62, 65, 72, 88, D26/113
CPC A61B 1/06; A61B 1/0623; A61B 1/0625; A61B 2017/00057; F21V 21/32; F21V 21/403; F21V 33/0064; F21V 33/0068; F21W 2131/20; F21W 2131/202; F21W 2131/205; F21W 2131/208
See application file for complete search history.

(56) **References Cited**

U.S. PATENT DOCUMENTS

- 4,597,030 A 6/1986 Brody et al.
- 5,101,333 A * 3/1992 Glassford F21S 6/003 362/396
- 5,353,786 A 10/1994 Wilk
- D366,948 S * 2/1996 Carbone B60Q 3/88 D26/43
- D379,542 S * 5/1997 Egashira F21V 14/06 D26/43

- D404,157 S * 1/1999 Carbone F21V 21/32 D26/43
- D498,321 S * 11/2004 Terry F21S 6/003 D26/62
- 6,874,908 B2 4/2005 Sharrah et al.
(Continued)

FOREIGN PATENT DOCUMENTS

CA 2465524 C 9/2007

OTHER PUBLICATIONS

Waldmann Lighting Compact Spot Light, Apr. 2, 2012, Amazon.com, site visited Jun. 14, 2023, url: <https://www.amazon.com/dp/B007QY6T4O> (Year: 2012).*

(Continued)

Primary Examiner — T Chase Nelson

Assistant Examiner — Rachel Wolfe

(57) **CLAIM**

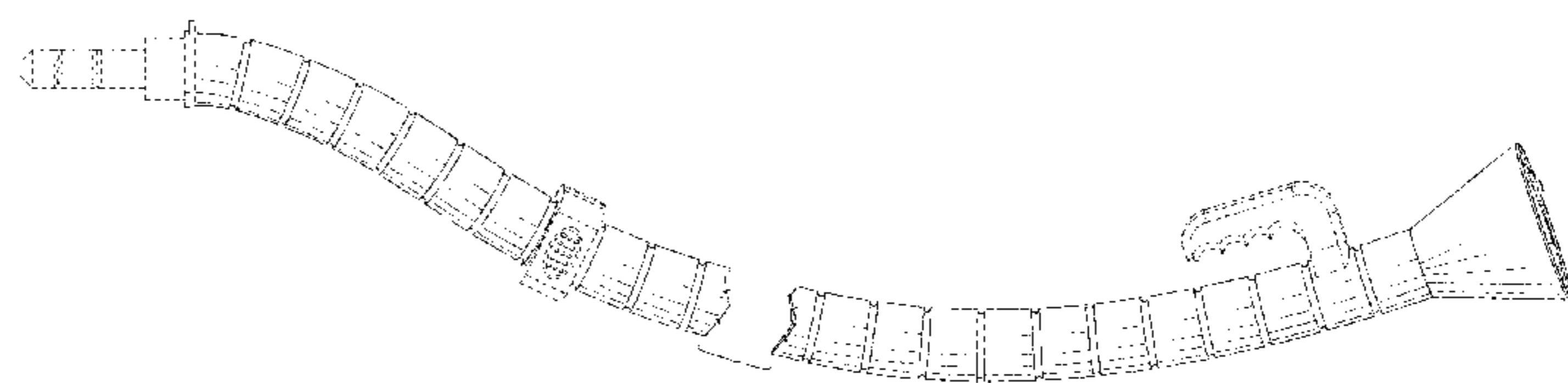
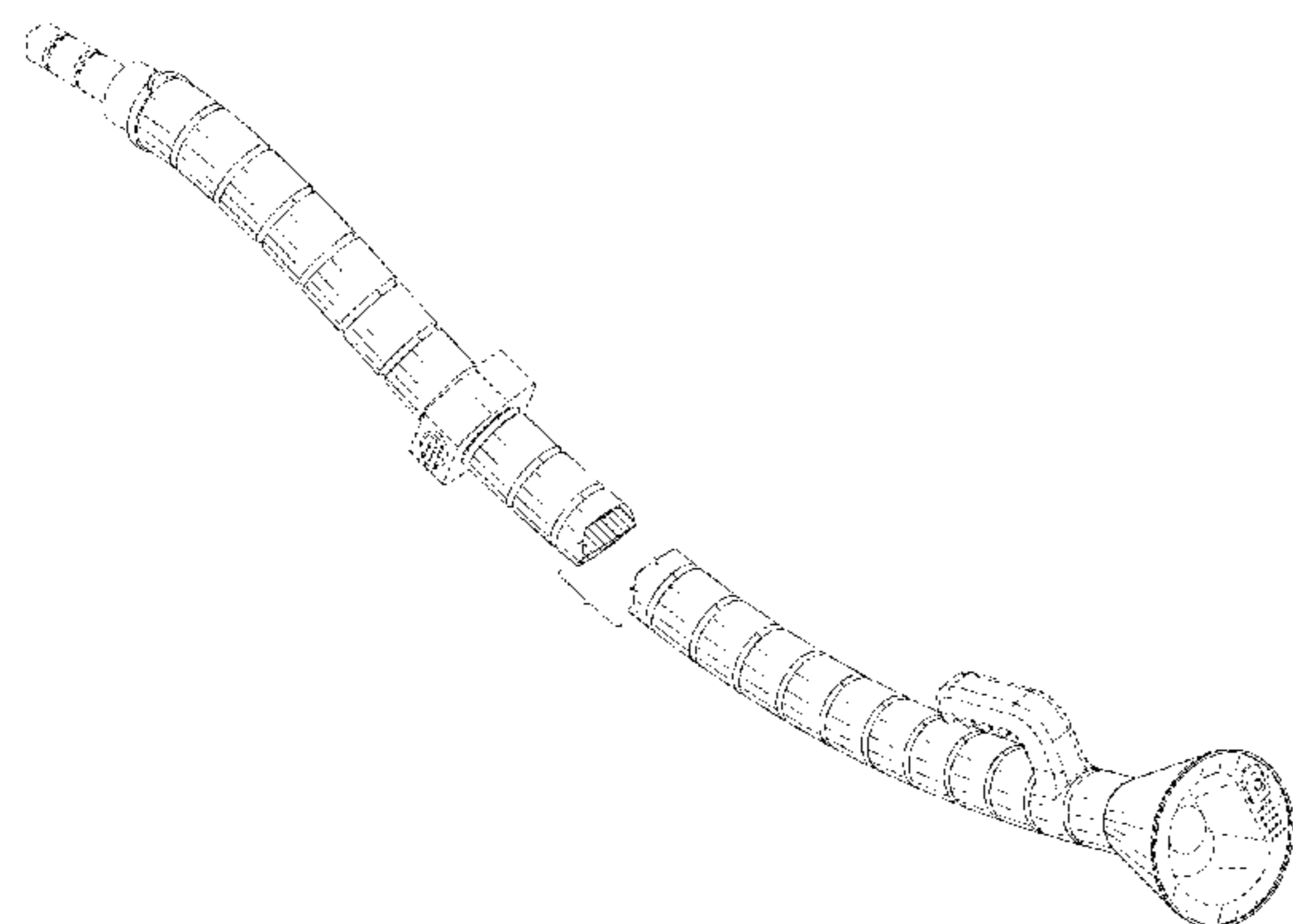
The ornamental design for a light, as shown and described.

DESCRIPTION

FIG. 1 is a front-top perspective view of a light showing my new design;
FIG. 2 is a front-bottom perspective view thereof;
FIG. 3 is a rear-top perspective view thereof;
FIG. 4 is a rear-bottom perspective view thereof;
FIG. 5 is a left elevational view thereof;
FIG. 6 is a right elevational view thereof;
FIG. 7 is an enlarged front elevational view thereof;
FIG. 8 is an enlarged rear elevational view thereof;
FIG. 9 is a top plan view thereof; and,
FIG. 10 is a bottom plan view thereof.

The broken lines show portions of the light that form no part of the claimed design. The claimed design shows symbolic breaks on the light body, and the appearance of any portion of the light between the break lines forms no part of the claimed design.

1 Claim, 10 Drawing Sheets



(56)

References Cited

U.S. PATENT DOCUMENTS

D586,528	S	2/2009	Lowry	
7,510,295	B2 *	3/2009	Shih	F21L 4/045 362/198
D621,537	S *	8/2010	Borovicka	D26/43
D632,413	S	2/2011	Teufel et al.	
9,587,792	B1	3/2017	Parsons	
9,937,936	B2	4/2018	Brooks	
D824,062	S *	7/2018	Qiu	D26/60
2001/0025905	A1 *	10/2001	Carpenter	A61B 90/50 248/231.71
2004/0090776	A1	5/2004	Yang	
2006/0012980	A1 *	1/2006	Mize	F21V 21/32 362/198
2006/0256561	A1 *	11/2006	Smith	F21V 21/32 362/267
2009/0303739	A1 *	12/2009	Garcia	B60Q 3/88 362/220
2010/0030033	A1	2/2010	Farley et al.	
2013/0201688	A1 *	8/2013	Glass	F21V 14/06 362/285
2014/0221754	A1	8/2014	Cabaud et al.	
2019/0199915	A1	6/2019	Coiseur	

OTHER PUBLICATIONS

Cole-Parmer Self-Supporting Dual-Light Pipe, Mar. 17, 2017, Amazon.com, site visited Jun. 14, 2023, url: <https://www.amazon.com/dp/B00NG2PVTE> (Year: 2017).*

Aries Outlets LED Surgical Medical Exam Light, Jun. 11, 2019, Amazon.com, site visited Jun. 14, 2023, url: <https://www.amazon.com/dp/B07SYPLWNZ/> (Year: 2019).*

* cited by examiner

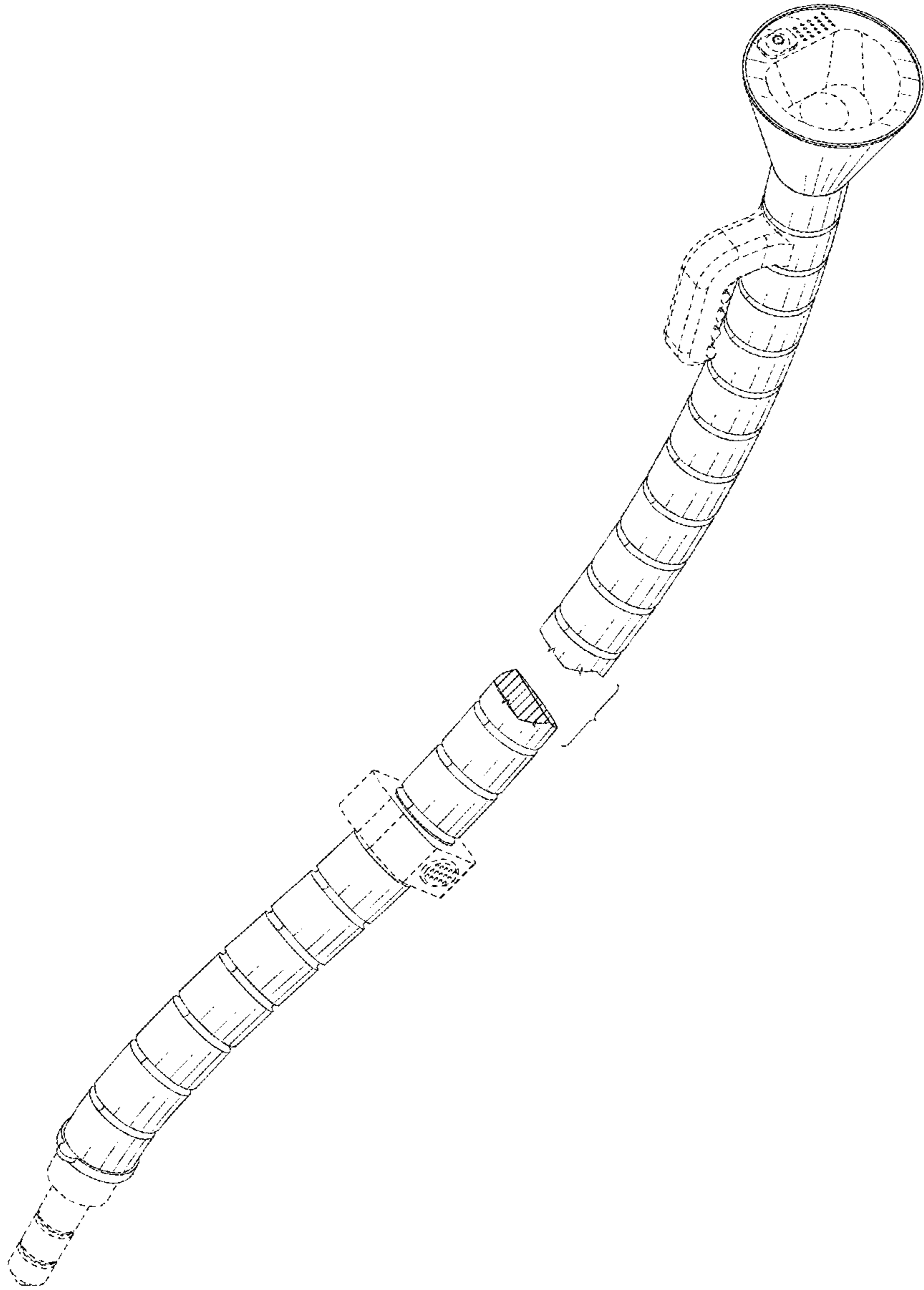


FIG. 1

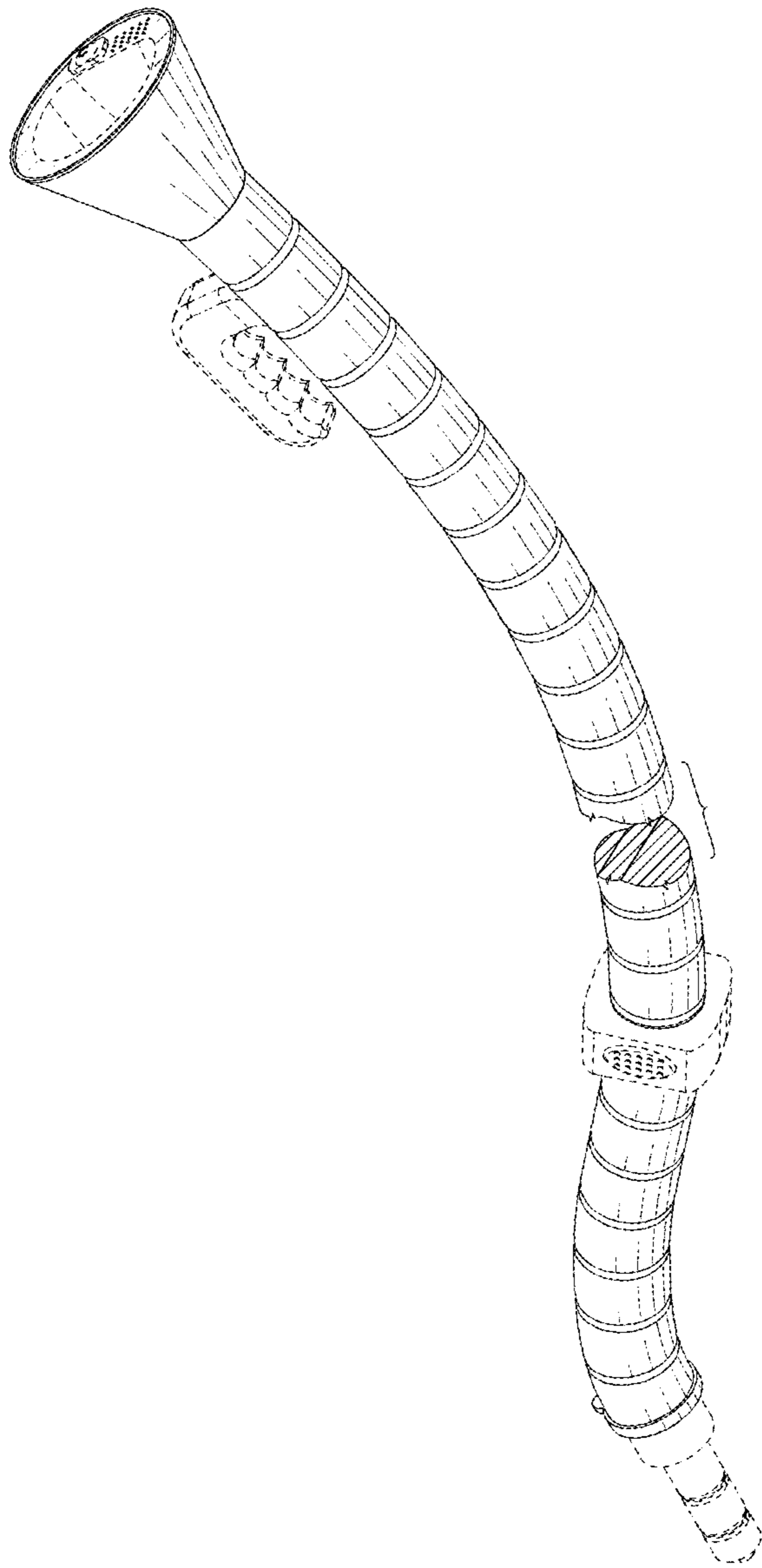


FIG. 2

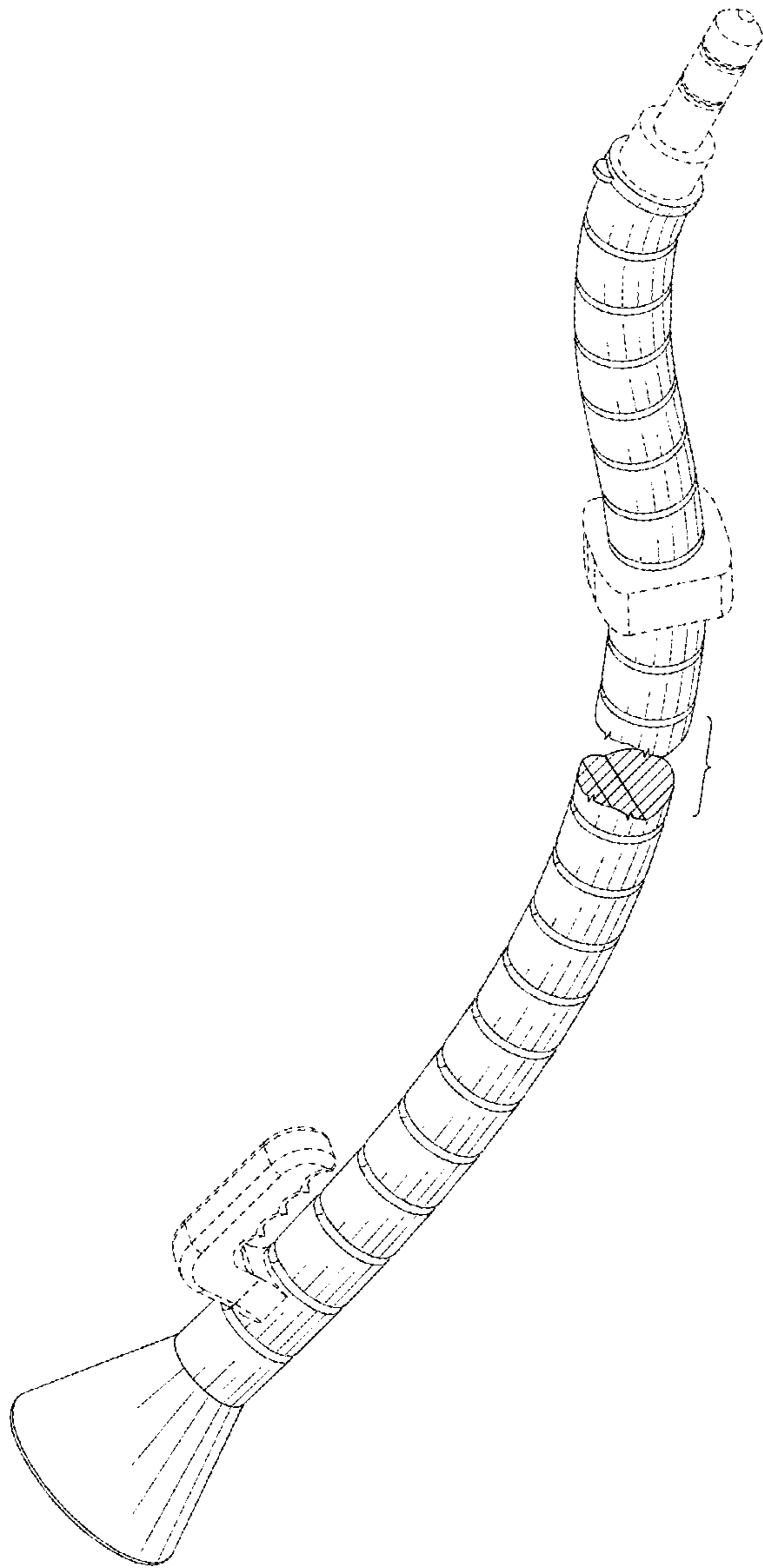


FIG. 3

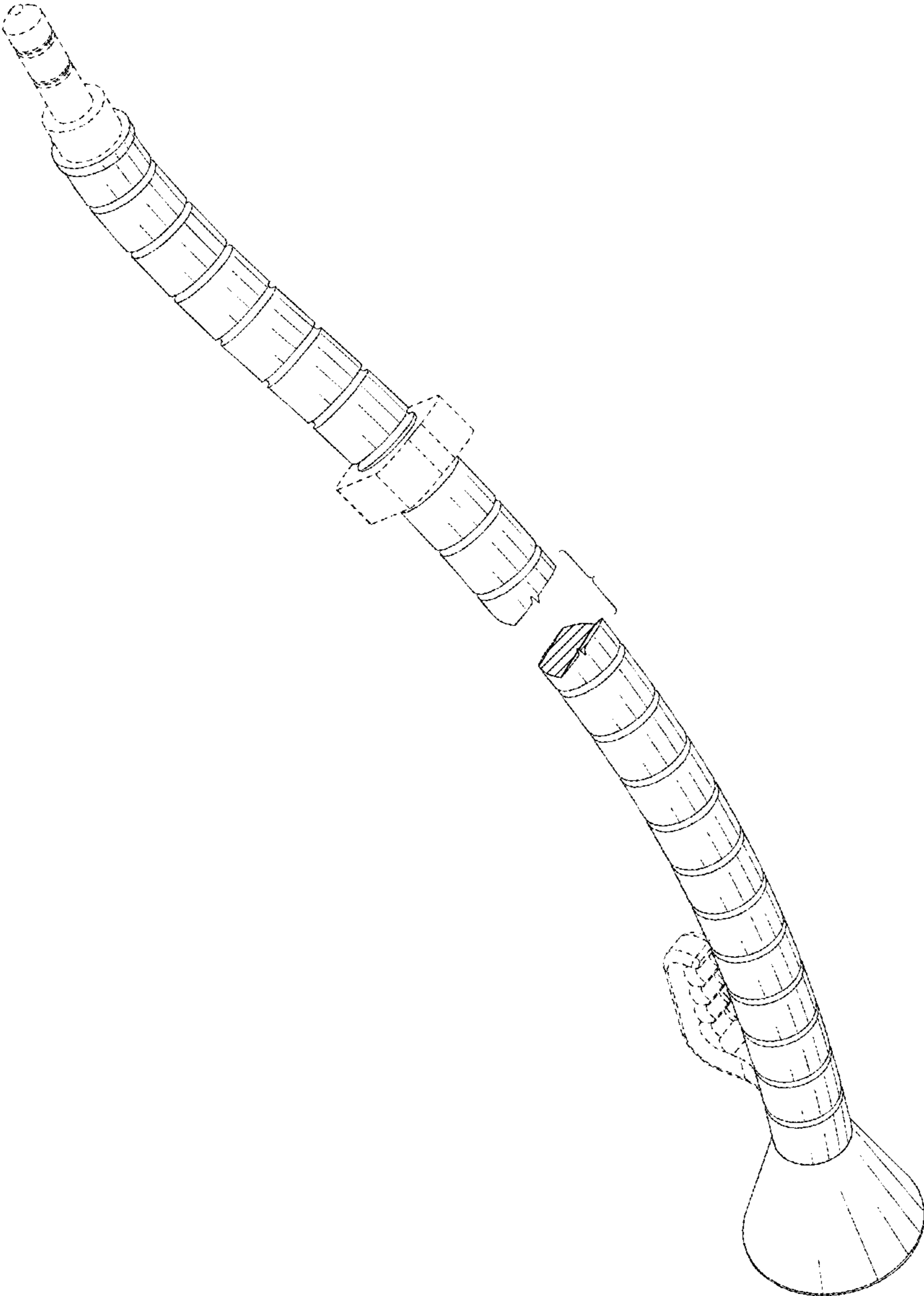


FIG. 4

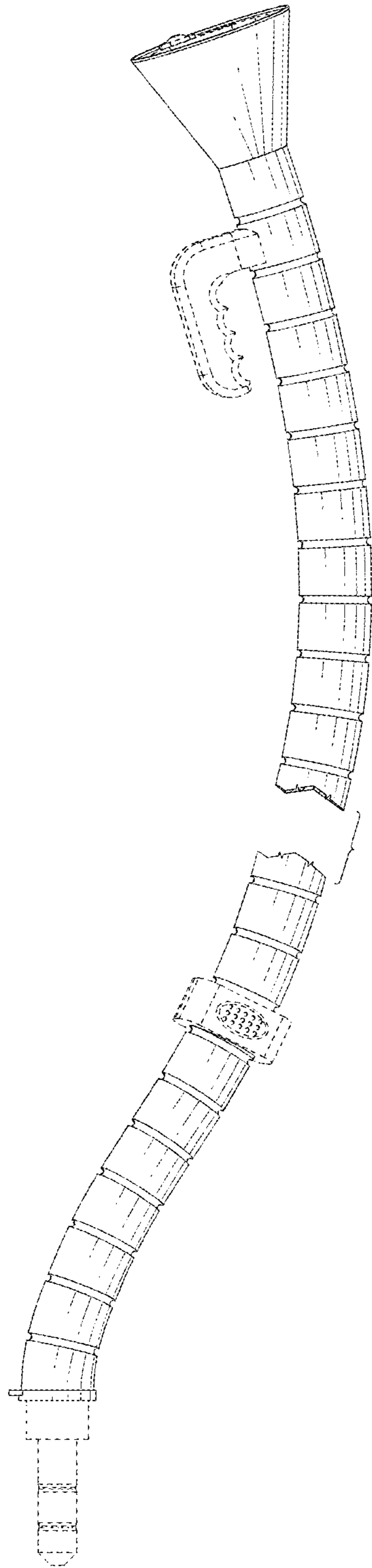


FIG. 5

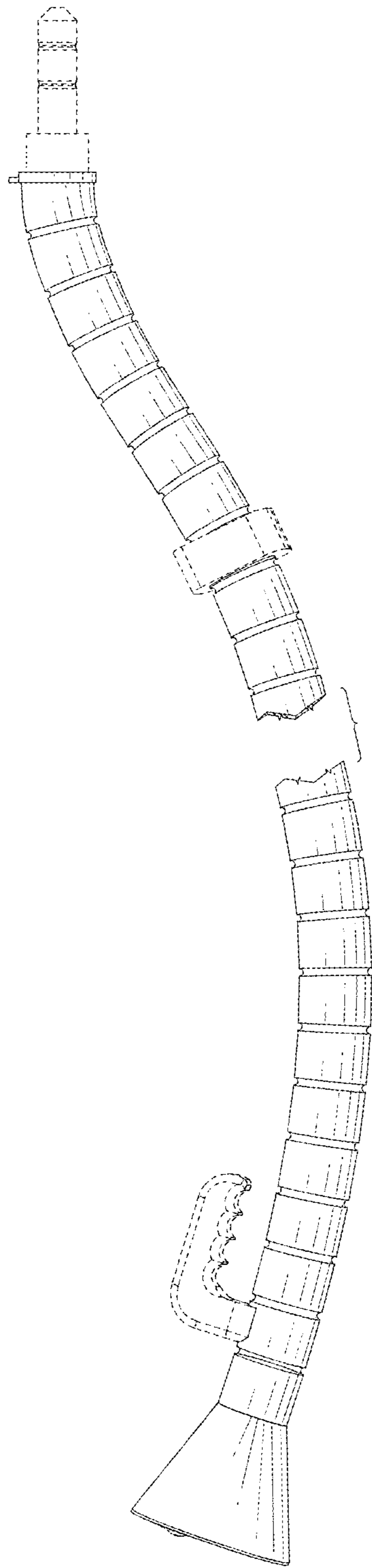


FIG. 6

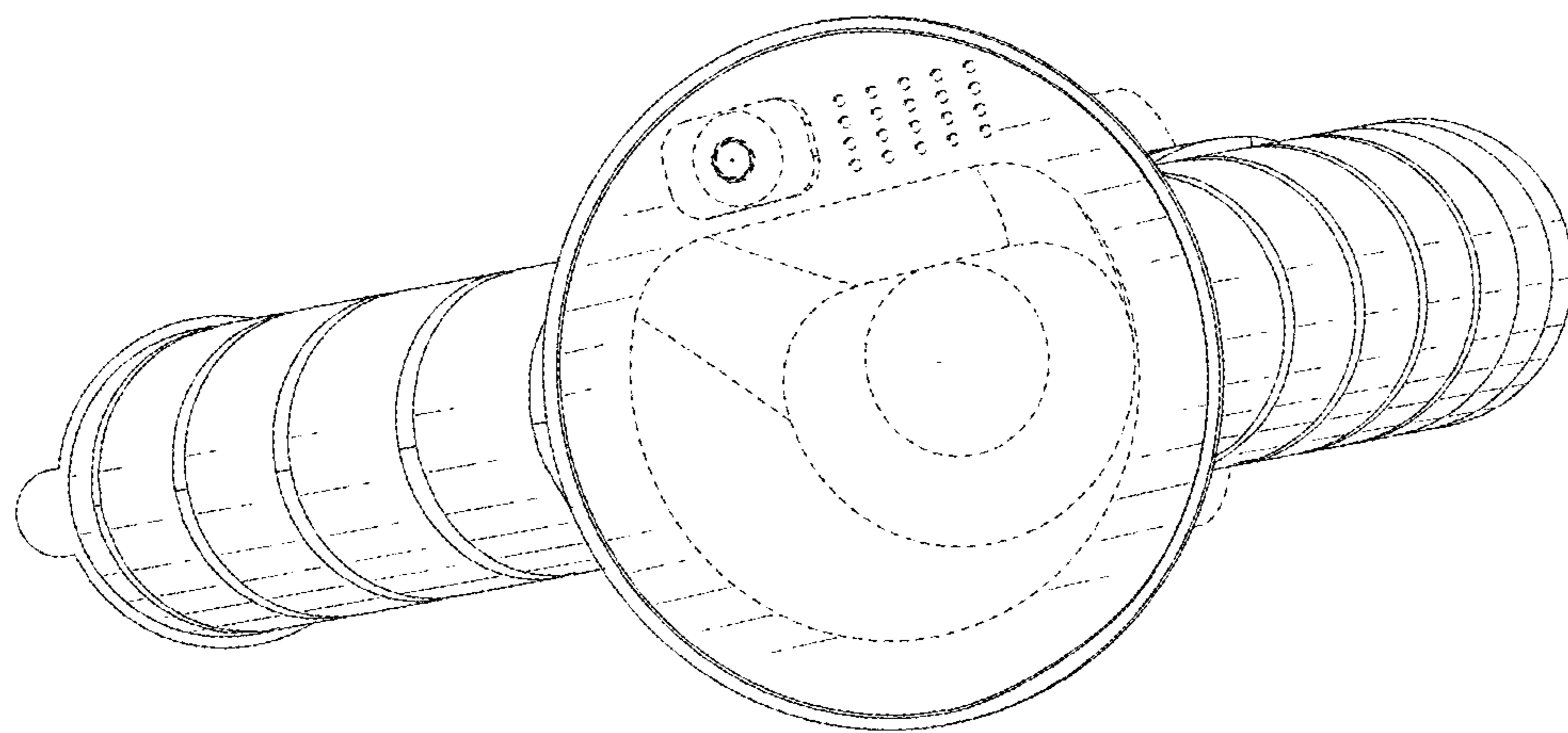


FIG. 7

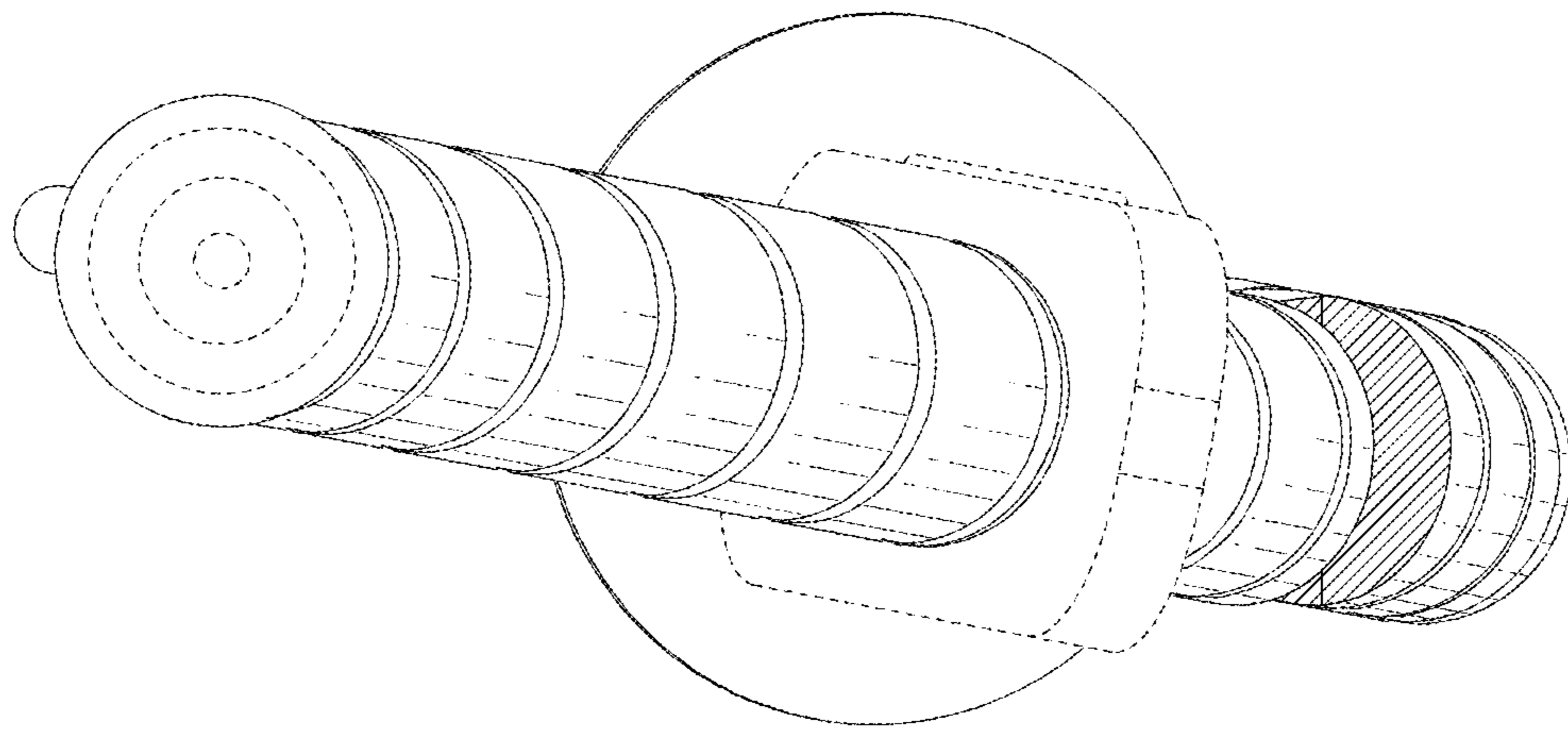


FIG. 8

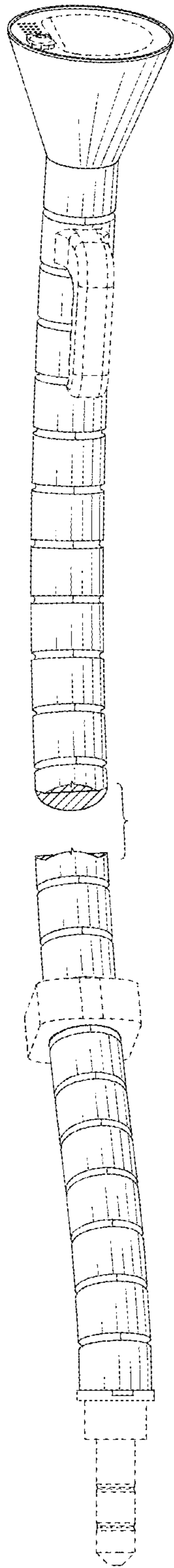


FIG. 9

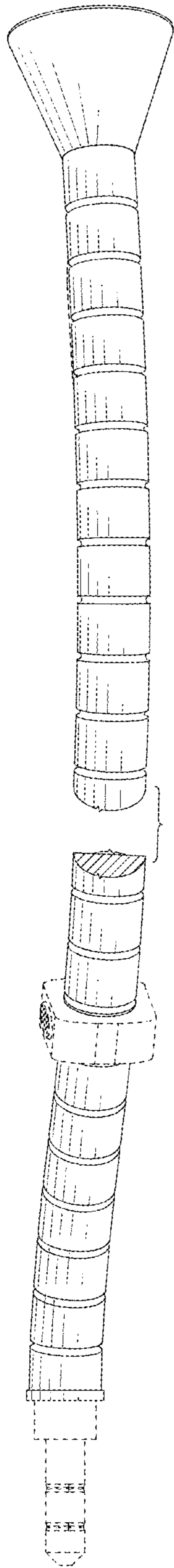


FIG. 10