



US0D1006165S

(12) **United States Design Patent** (10) **Patent No.:** **US D1,006,165 S**
Lei (45) **Date of Patent:** **** Nov. 28, 2023**

(54) **PUNCHING BAG**

(71) Applicant: **King Lei**, San Francisco, CA (US)

(72) Inventor: **King Lei**, San Francisco, CA (US)

(**) Term: **15 Years**

(21) Appl. No.: **29/716,288**

(22) Filed: **Dec. 9, 2019**

(51) **LOC (14) Cl.** **21-02**

(52) **U.S. Cl.**
USPC **D21/787**

(58) **Field of Classification Search**
USPC D21/788, 787, 798; D6/597; D11/158
CPC A63B 2244/102; A63B 2244/104; A63B
2244/106; A63B 69/00; A63B 69/20;
A63B 69/26; A63B 69/30; A63B 69/32;
A63B 69/34; A63B 69/201; A63B
69/322; A63B 69/0004

See application file for complete search history.

(56) **References Cited**

U.S. PATENT DOCUMENTS

D169,243 S *	4/1953	Doherty	482/86
4,103,889 A	8/1978	Lobur		
4,491,315 A	1/1985	Dye		
5,183,450 A	2/1993	Stelmach		
D377,201 S *	1/1997	Howard	A63B 71/023 D21/787
5,769,761 A *	6/1998	Zagata, Jr.	A63B 69/305 482/90
5,788,613 A *	8/1998	Grimaldi	A63B 69/222 473/441
6,808,477 B2	10/2004	Tudor		
6,872,171 B2	3/2005	Haselrig		
D709,976 S *	7/2014	Clauder	A63B 69/26 D21/787
8,771,152 B1	7/2014	Silverman		
9,211,465 B1 *	12/2015	Lambrinos	A63B 69/32
D918,324 S *	5/2021	Qubadi	D21/787
D924,347 S *	7/2021	Gray	A63B 69/222 D21/788
D954,884 S *	6/2022	Qubadi	D21/787

(Continued)

FOREIGN PATENT DOCUMENTS

CA 193639 * 1/2021
GB 6081766 * 1/2020

(Continued)

OTHER PUBLICATIONS

Punch King Punching Bag, available on Youtube.com, date posted Oct. 20, 2019, [site visited Mar. 30, 2023], URL: <https://www.youtube.com/watch?v=TCthj3o2BnY> (Year: 2019).*

(Continued)

Primary Examiner — Cary M Robinson
Assistant Examiner — Emily Anna Saunders

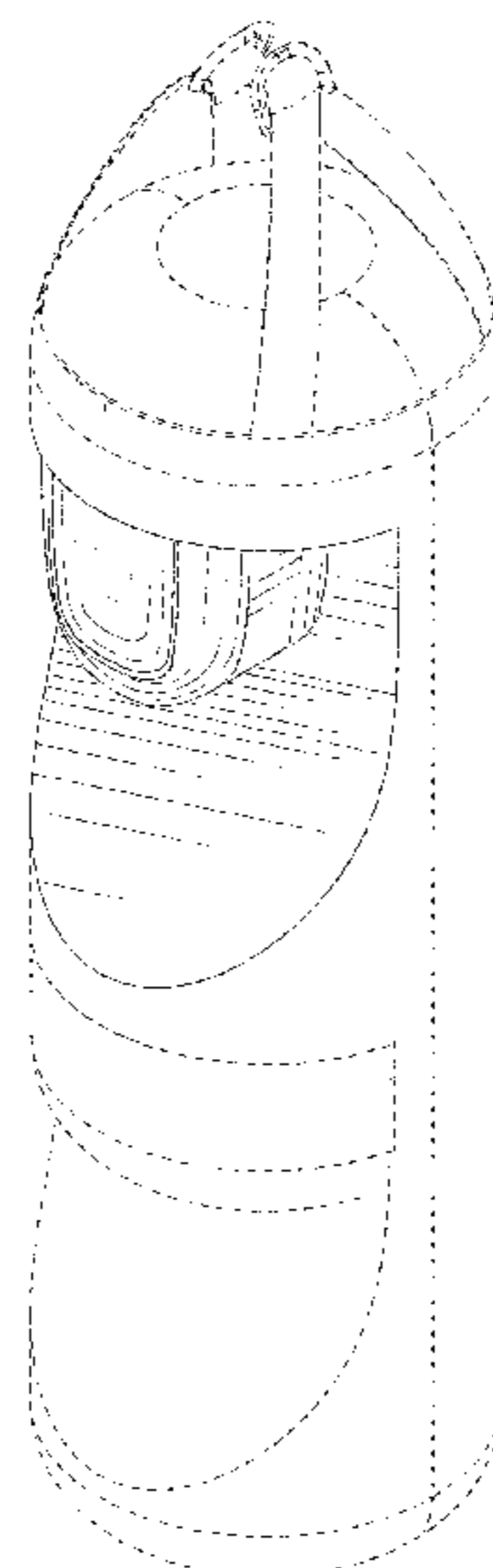
(57) **CLAIM**

The ornamental design for a punching bag, as shown and described.

DESCRIPTION

FIG. 1 is a front-right-top perspective view of the punching bag showing my new design;
FIG. 2 is a front-right-bottom perspective view thereof;
FIG. 3 is a front-left-top perspective view thereof;
FIG. 4 is a rear-left-top perspective view thereof;
FIG. 5 is a front elevational view thereof;
FIG. 6 is a rear elevational view thereof;
FIG. 7 is a left side elevational view of the punching bag, wherein the right side elevational view is a mirror image thereof;
FIG. 8 is a top plan view thereof; and,
FIG. 9 is a bottom plan view thereof.
The broken lines in the drawings illustrate portions of the punching bag that form no part of the claimed design.

1 Claim, 9 Drawing Sheets



(56)

References Cited

U.S. PATENT DOCUMENTS

11,406,886	B1 *	8/2022	Thomas	A63B 69/203
2010/0222184	A1	9/2010	Mannarino		
2018/0147470	A1	5/2018	Howard		
2020/0391091	A1 *	12/2020	Lei	A63B 69/26
2021/0178241	A1 *	6/2021	Jones	A63B 69/305
2022/0016509	A1 *	1/2022	Fazio	A63B 71/023

FOREIGN PATENT DOCUMENTS

GB	6081768	*	1/2020
GB	8206022000-1000	*	2/2020
TW	207973-0001	*	11/2020
WO	WO1994028981	A1	12/1994
WO	WO-D206022-001	*	2/2020

OTHER PUBLICATIONS

Punch King Punching Bag, available on Youtube.com, date posted Oct. 29, 2019, [site visited Mar. 30, 2023], URL: <https://www.youtube.com/watch?v=IzF4TDevapQ> (Year: 2019).*

Punch King Kickstarter Campaign, available on Kickstarter.com, funding started Nov. 18, 2019, [site visited Mar. 30, 2023], URL: <https://www.kickstarter.com/projects/punchking/punch-king-punching-bag> (Year: 2019).*

Punch King punching bag, available on Youtube.com, date posted Nov. 21, 2019, [site visited Mar. 30, 2023], URL: <https://www.youtube.com/watch?v=nLKIW5hRBNU> (Year: 2019).*

Angle Punch Bag, available on Facebook.com, date posted Sep. 20, 2020, [site visited Mar. 30, 2023], URL: <https://m.facebook.com/2337519239632963/photos/a.2613820288669522/3499426400108902/> (Year: 2020).*

ProLast Boxing Angle Punching Bag, available on Amazon.com, date first available Feb. 26, 2018, oldest customer review Sep. 19, 2018, [site visited Mar. 30, 2023], URL: <https://www.amazon.com/ProLast-Angle-Boxing-Heavy-Punching/dp/B07B47YBGB?th=1> (Year: 2018).*

Bowling Pin Bag, available on ringside.com, no date available, [site visited Mar. 30, 2023], URL: <https://www.ringside.com/fairtex-bowling-pin-heavy-bag-unfilled.html> (Year: 2023).*

* cited by examiner

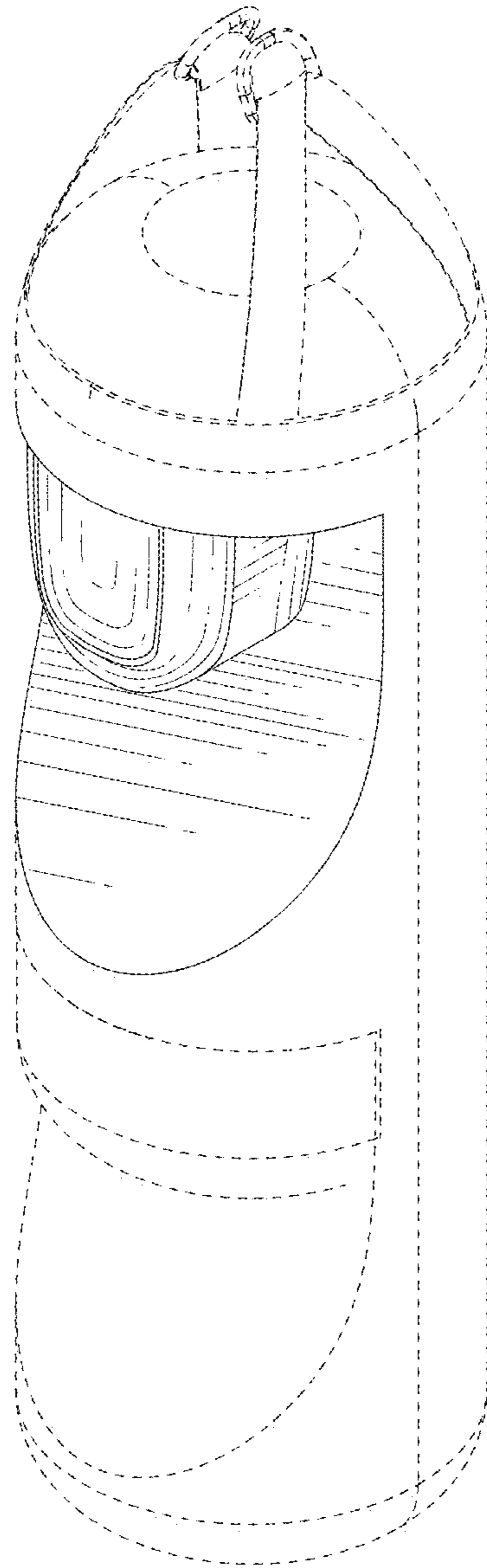


FIG. 1

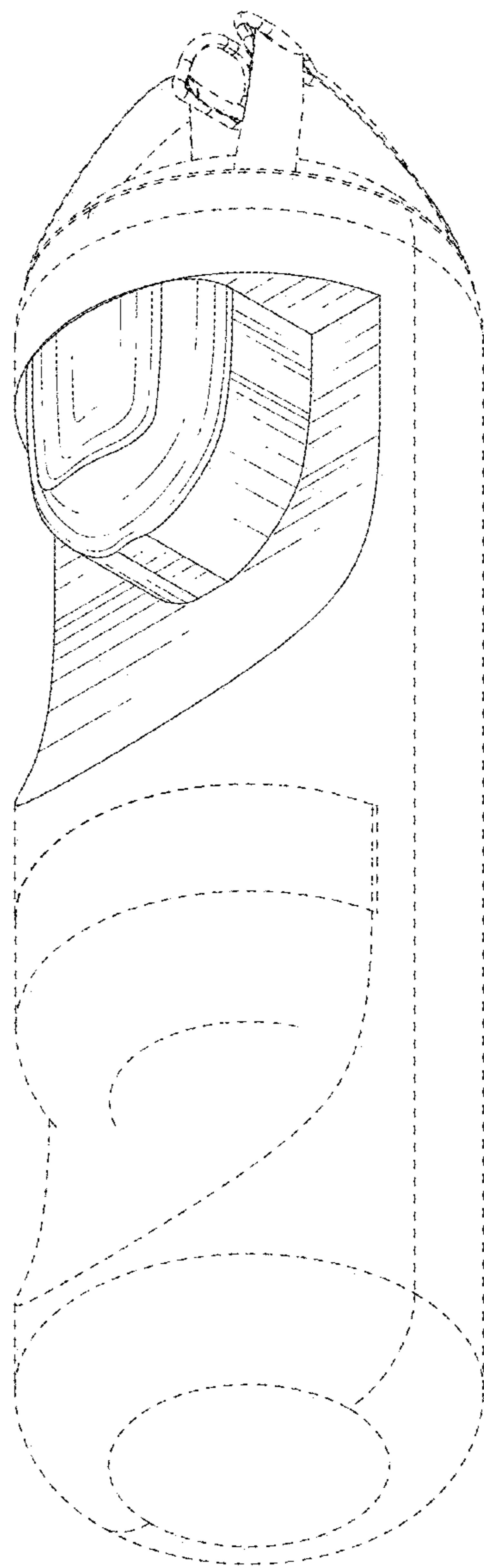


FIG. 2

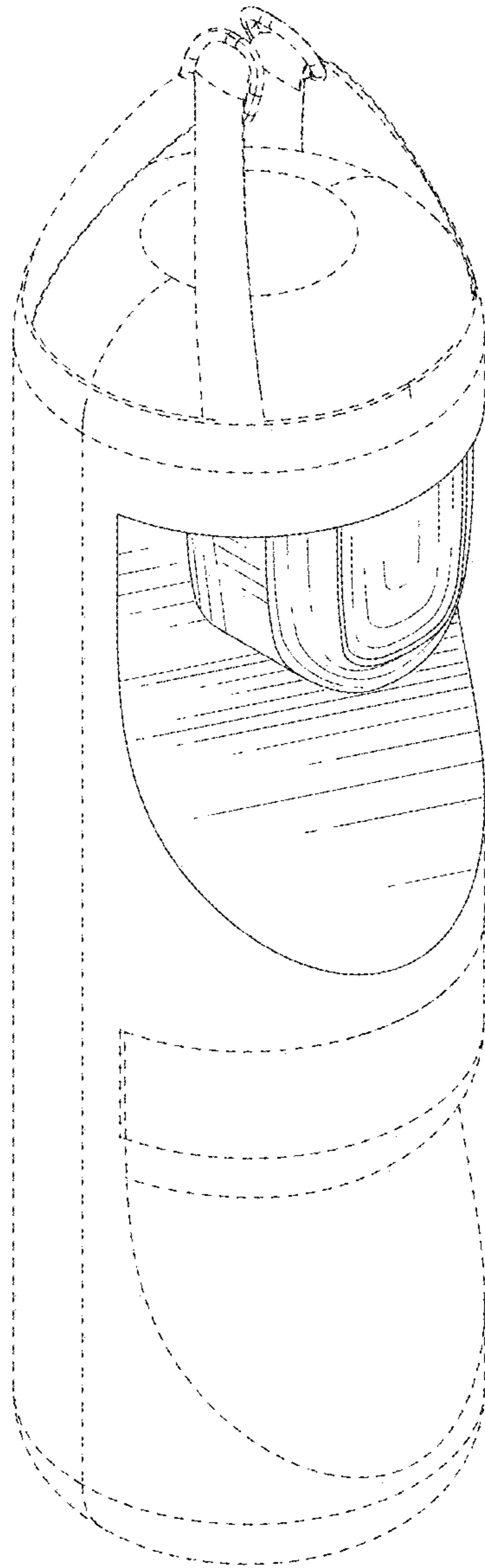


FIG. 3

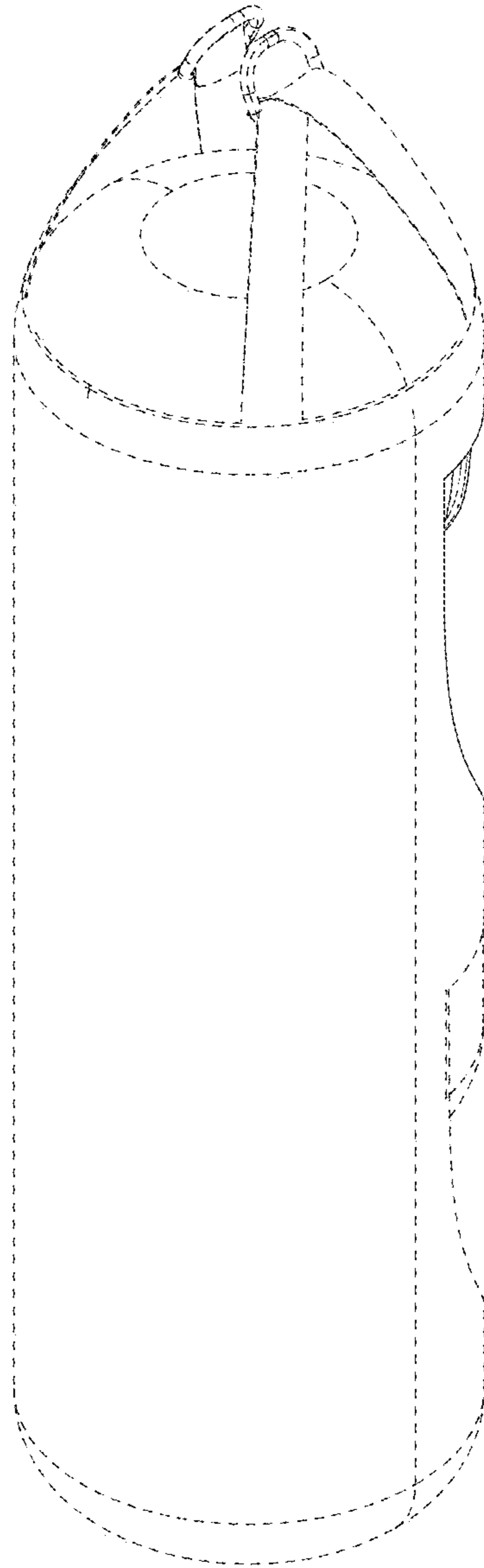


FIG. 4

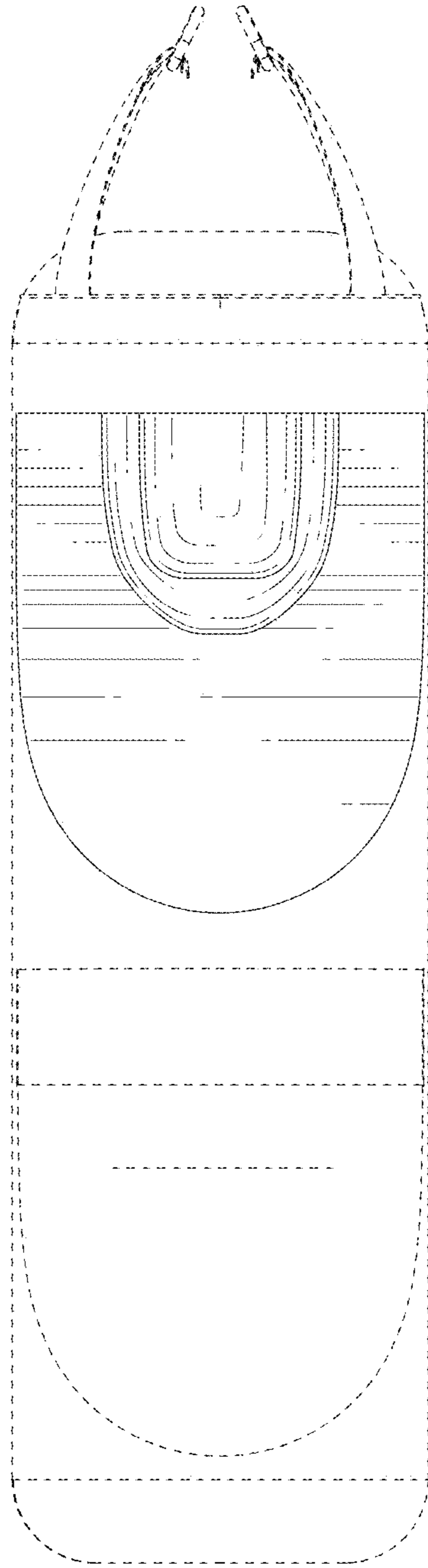


FIG. 5

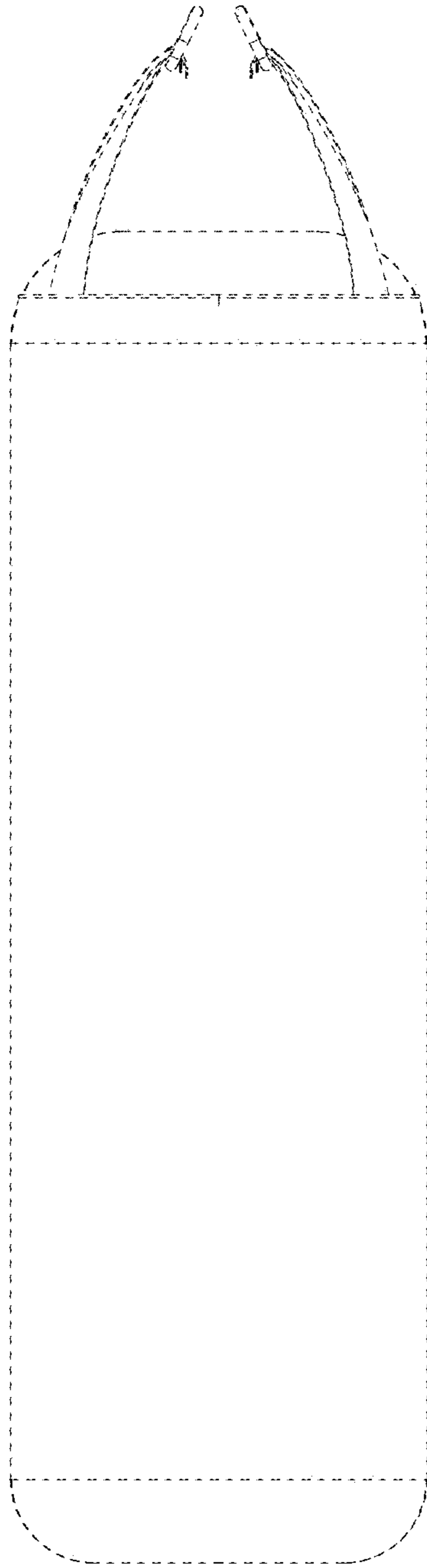


FIG. 6

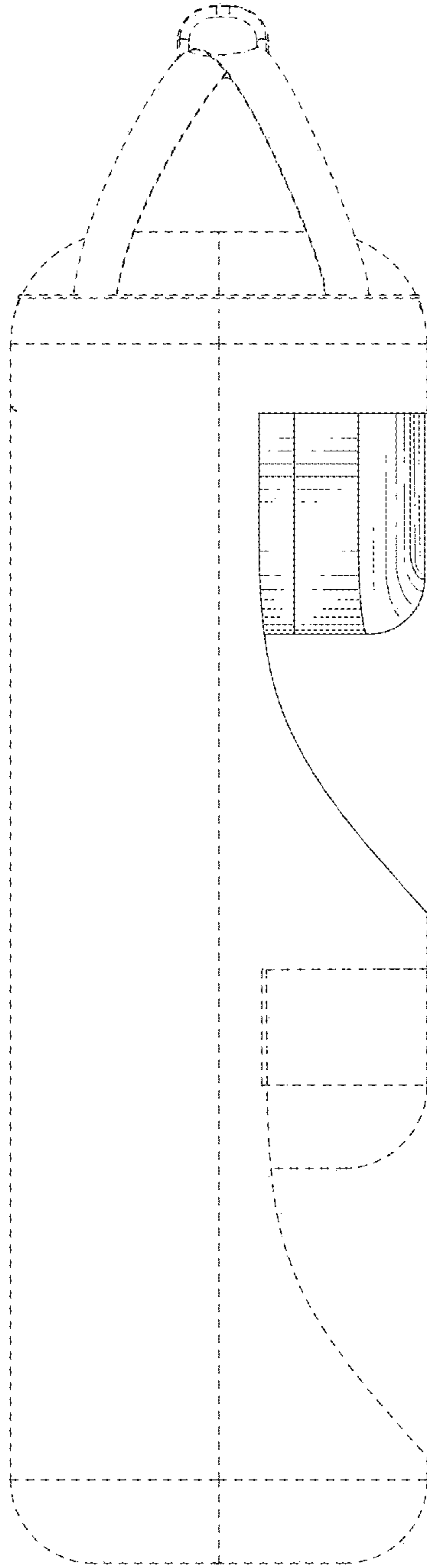


FIG. 7

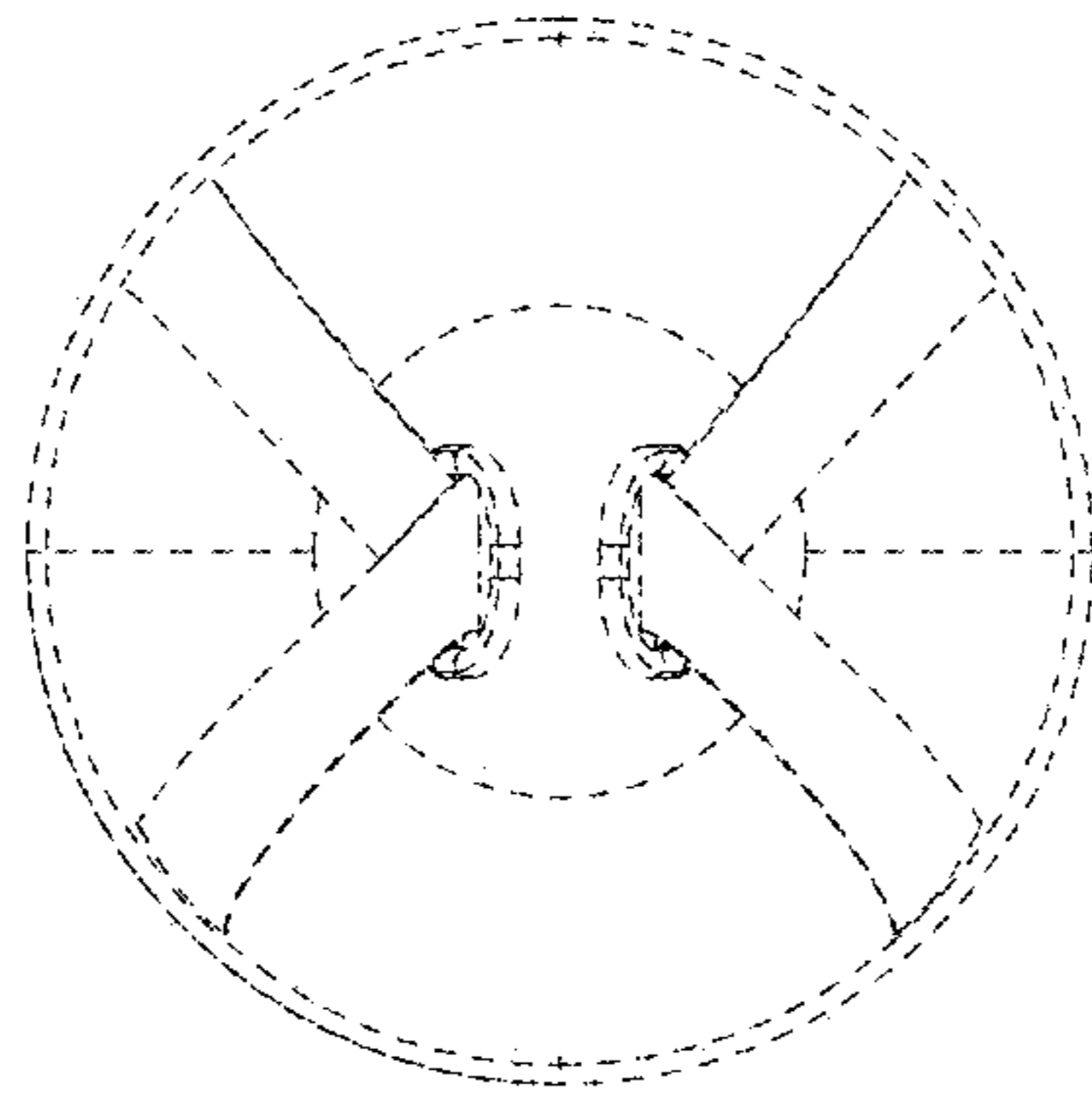


FIG. 8

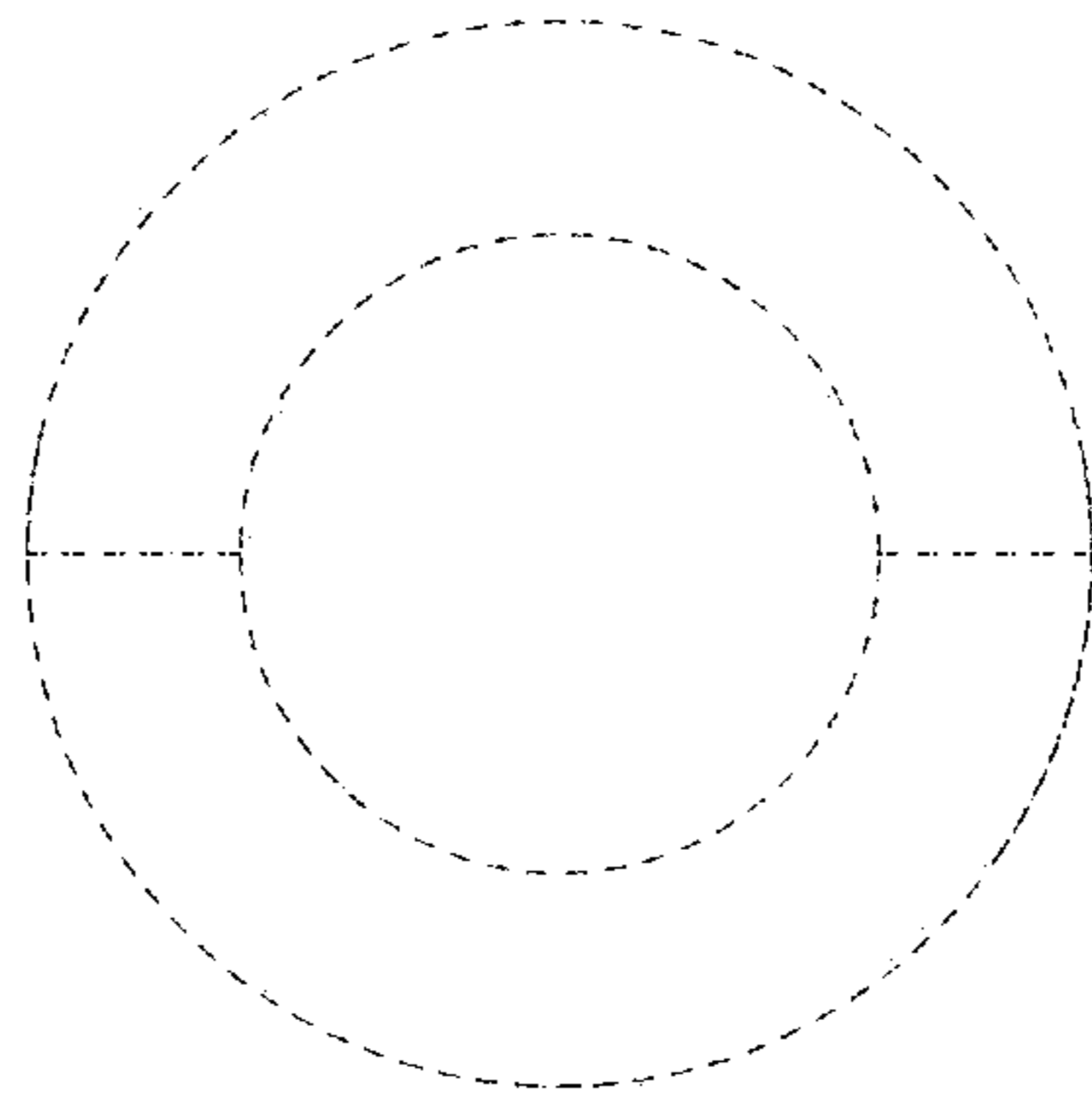


FIG. 9