



US0D1006109S

(12) **United States Design Patent** (10) **Patent No.:** **US D1,006,109 S**
Olson (45) **Date of Patent:** **** Nov. 28, 2023**

(54) **PORTABLE ADJUSTABLE BOOK STAND**

FOREIGN PATENT DOCUMENTS

(71) Applicant: **Lorin P. Olson**, Scotts Valley, CA (US)

CN 307913542 * 3/2023

(72) Inventor: **Lorin P. Olson**, Scotts Valley, CA (US)

OTHER PUBLICATIONS

(**) Term: **15 Years**

Zerotop Book Stands for Reading [online], [site visited Apr. 4, 2023]. Available from internet, URL: <https://www.amazon.co.uk/dp/B0BPRZFCVP/> (Year: 2022).*

(21) Appl. No.: **29/870,557**

(22) Filed: **Jan. 30, 2023**

Primary Examiner — Cynthia Ramirez
Assistant Examiner — Xavier Marti-Santos

Related U.S. Application Data

(63) Continuation-in-part of application No. 17/939,916, filed on Sep. 7, 2022, now Pat. No. 11,629,816.

(51) **LOC (14) Cl.** **19-02**

(52) **U.S. Cl.**

USPC **D19/91; D6/300**

(58) **Field of Classification Search**

USPC D6/300-303, 310-312, 641, 642, 675, D6/686; D14/447, 451, 452, 457; D19/65, 75, 86, 90, 91

CPC A47B 23/042; A47B 23/043; F16M 11/2021; F16M 11/38; F16M 2200/024; F16M 2200/028

See application file for complete search history.

(56) **References Cited**

U.S. PATENT DOCUMENTS

4,318,471	A	3/1982	Hutton	
D305,837	S *	2/1990	Bowman	D19/91
5,355,811	A	10/1994	Brewer	
D356,214	S *	3/1995	Lui	D6/300
D385,717	S *	11/1997	Howell	D19/91
5,810,316	A	9/1998	Eby	
6,290,228	B1	9/2001	Roberts et al.	
7,758,009	B1 *	7/2010	Chang	A47B 23/044 248/456
9,635,929	B1 *	5/2017	Wu	A47B 23/043

(Continued)

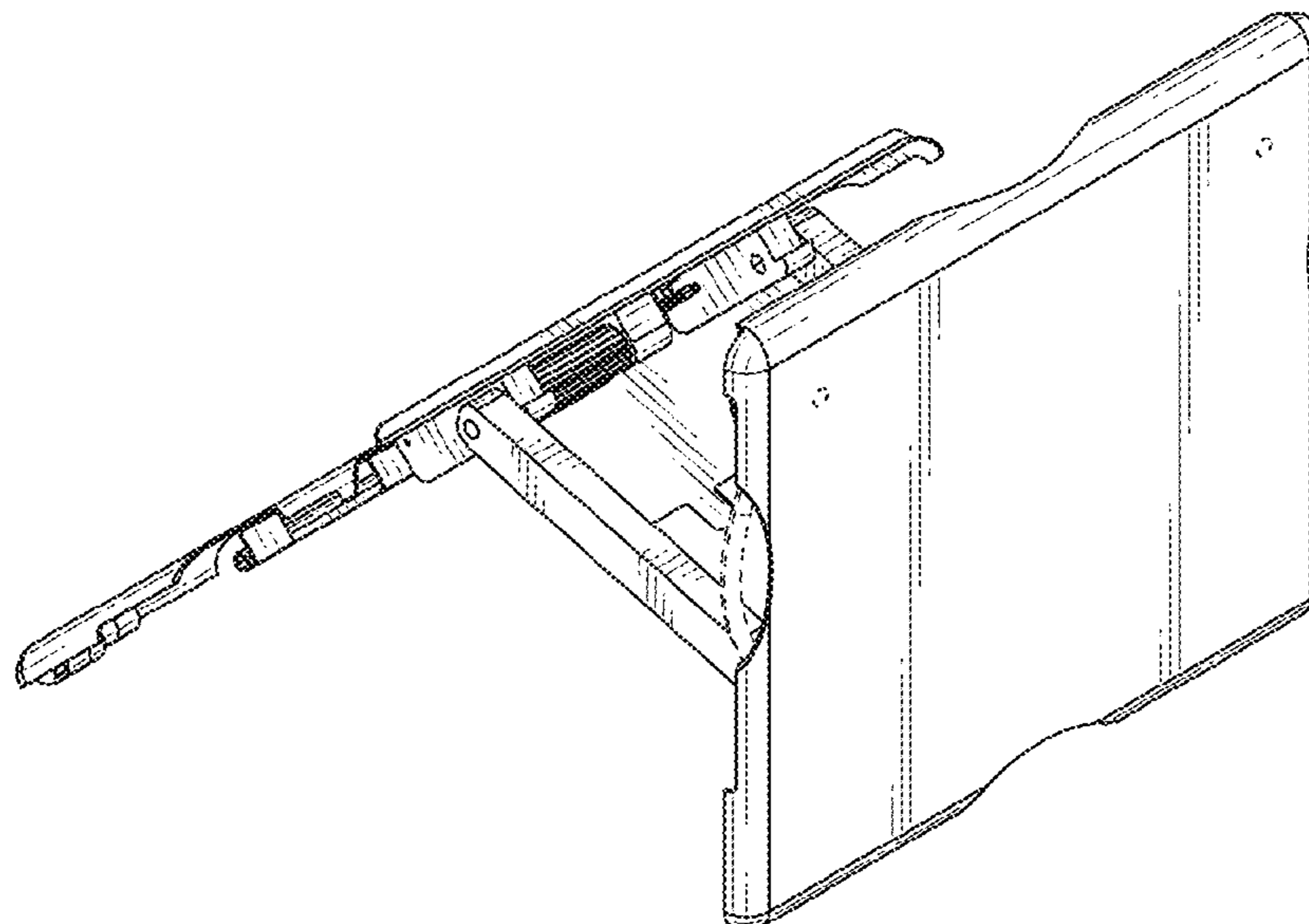
(57) **CLAIM**

The ornamental design for a portable adjustable book stand, as shown and described.

DESCRIPTION

FIG. 1 is a top front perspective view of a portable adjustable book stand showing my new design in an open position; FIG. 2 is a top front perspective view thereof; FIG. 3 is a bottom front perspective view thereof; FIG. 4 is a bottom front perspective view thereof; FIG. 5 is a top rear perspective view thereof; FIG. 6 is a top rear perspective view thereof; FIG. 7 is a bottom rear perspective view thereof; FIG. 8 is a bottom rear perspective view thereof; FIG. 9 is a front elevational view thereof; FIG. 10 is a rear elevational view thereof; FIG. 11 is a top plan view thereof; FIG. 12 is a bottom plan view thereof; FIG. 13 is a right elevational view thereof; FIG. 14 is a left elevational view thereof; FIG. 15 is a top front perspective view of the portable adjustable book stand in a closed position; and, FIG. 16 is a bottom rear perspective view of thereof. The broken lines in the figures are for the purpose of illustrating portions of the portable adjustable book stand, which form no part of the claimed design.

1 Claim, 16 Drawing Sheets



(56)

References Cited

U.S. PATENT DOCUMENTS

D878,461	S *	3/2020	Jung	D19/91
D895,985	S *	9/2020	Shi	D19/91
D940,147	S *	1/2022	Yang	D14/447
11,297,941	B1 *	4/2022	Hadar	A47B 23/043
2013/0009023	A1 *	1/2013	Chen	H01Q 3/04 248/125.8
2014/0252181	A1 *	9/2014	Mau	E05D 3/12 248/125.1
2021/0307187	A1 *	9/2021	Pan	F16M 11/26

* cited by examiner

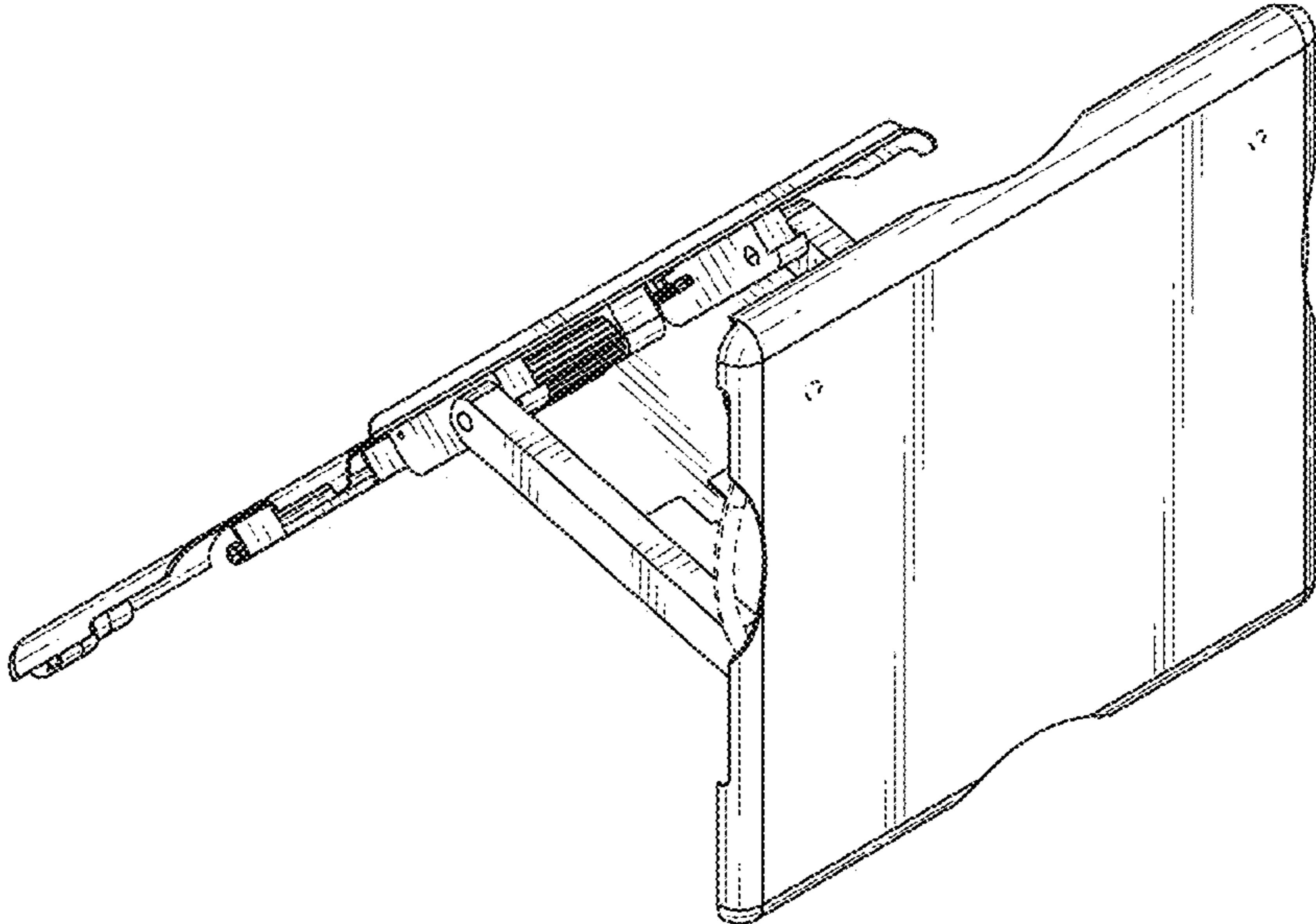


FIG. 1

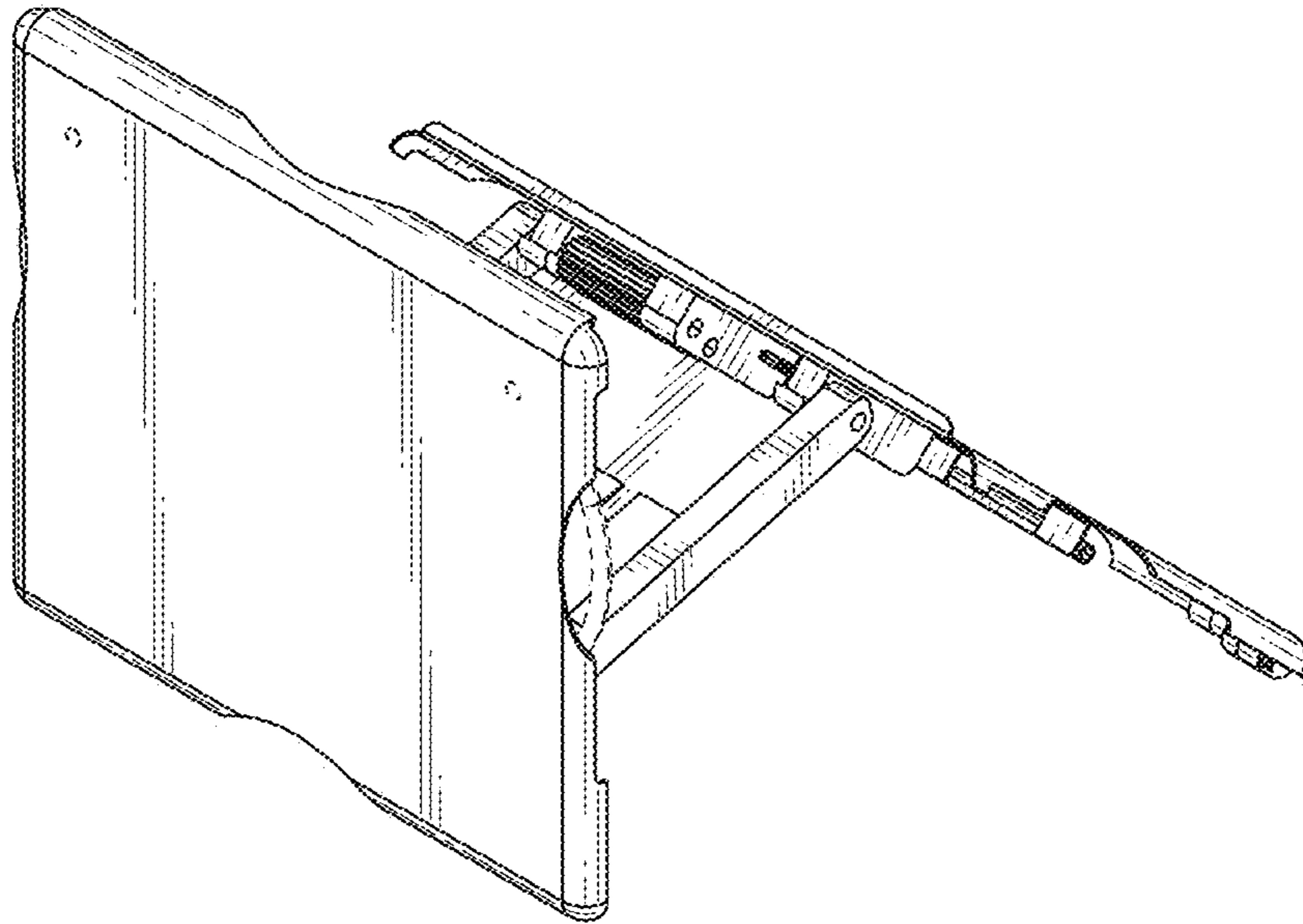


FIG. 2

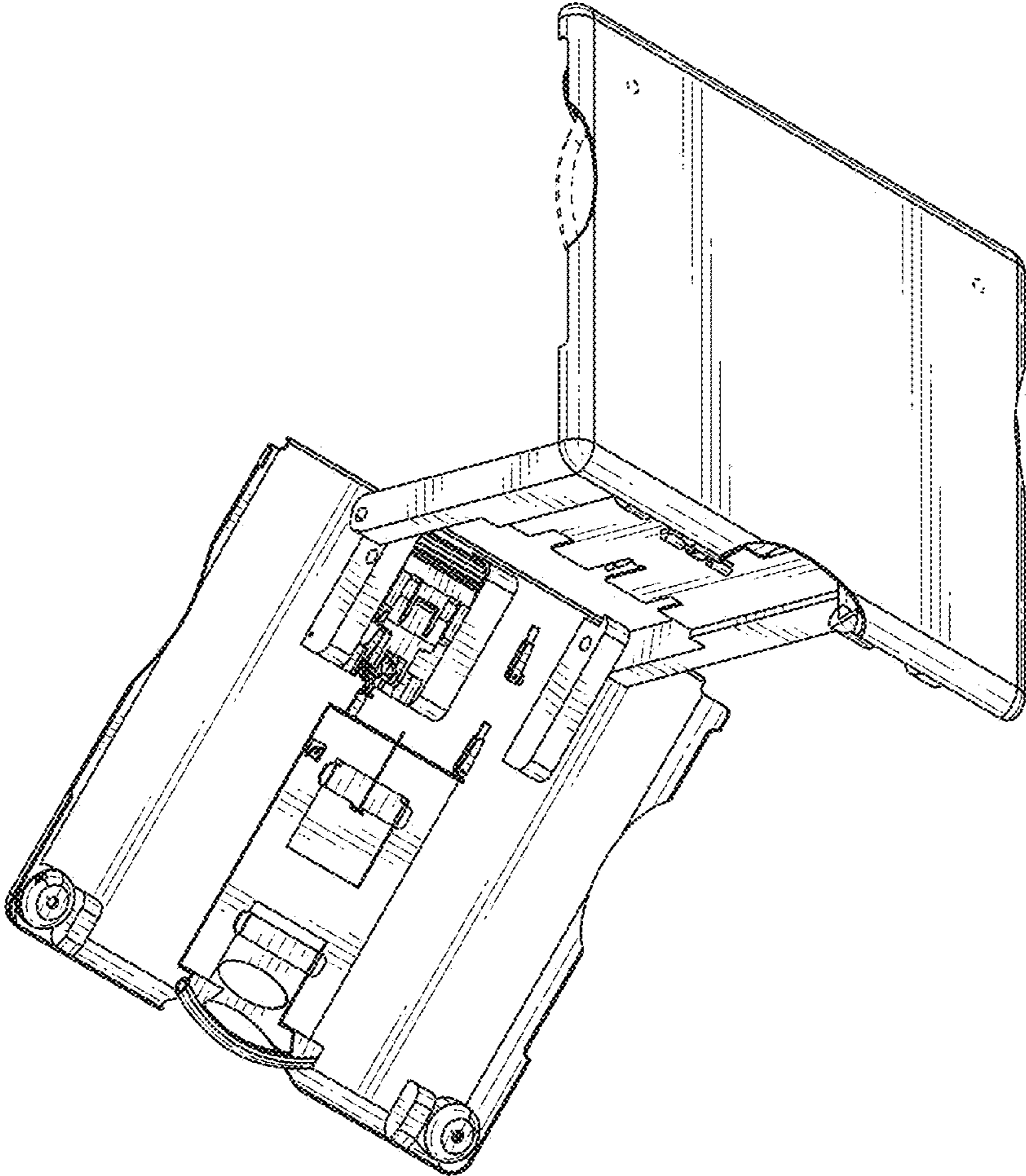


FIG. 3

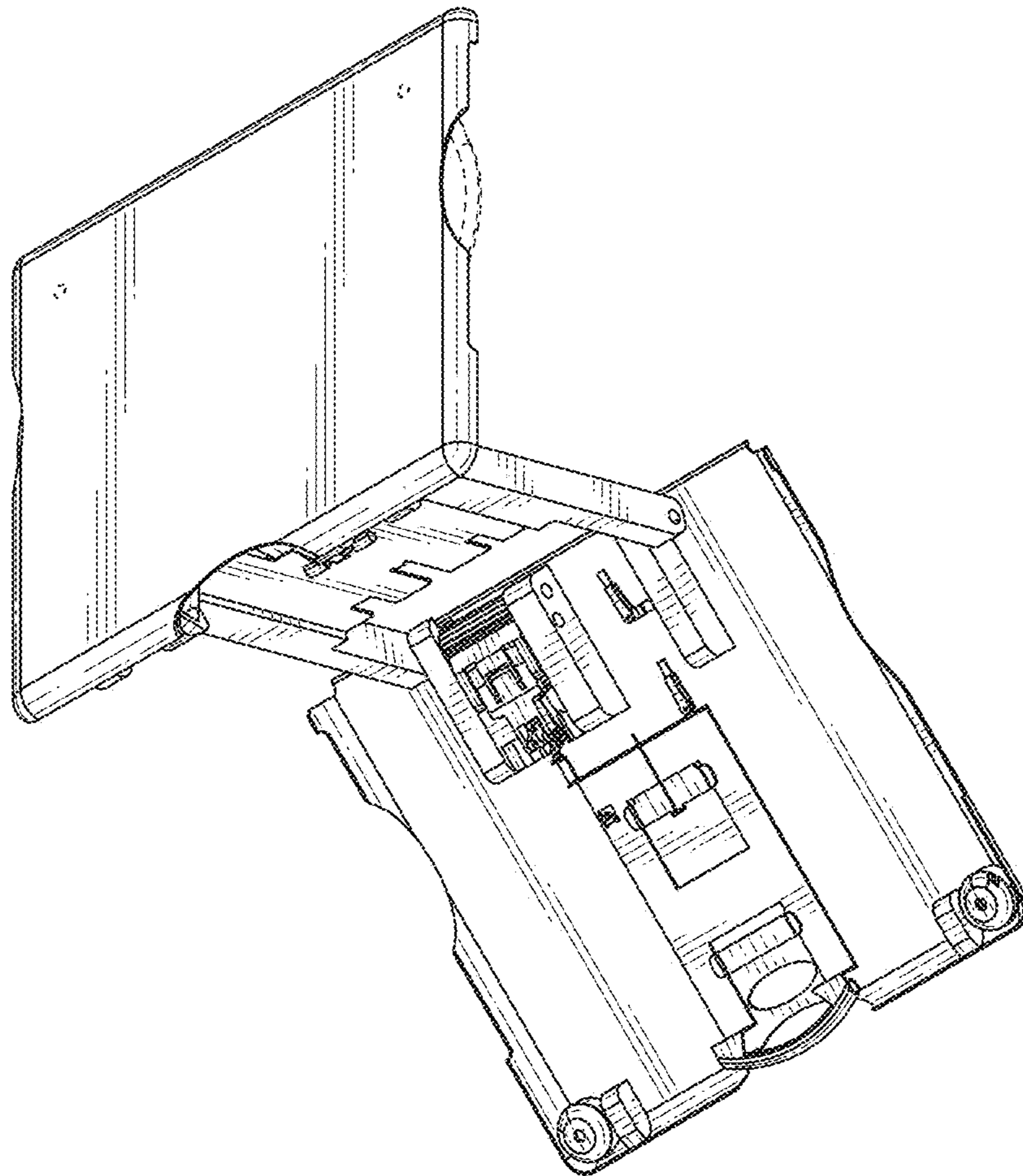


FIG. 4

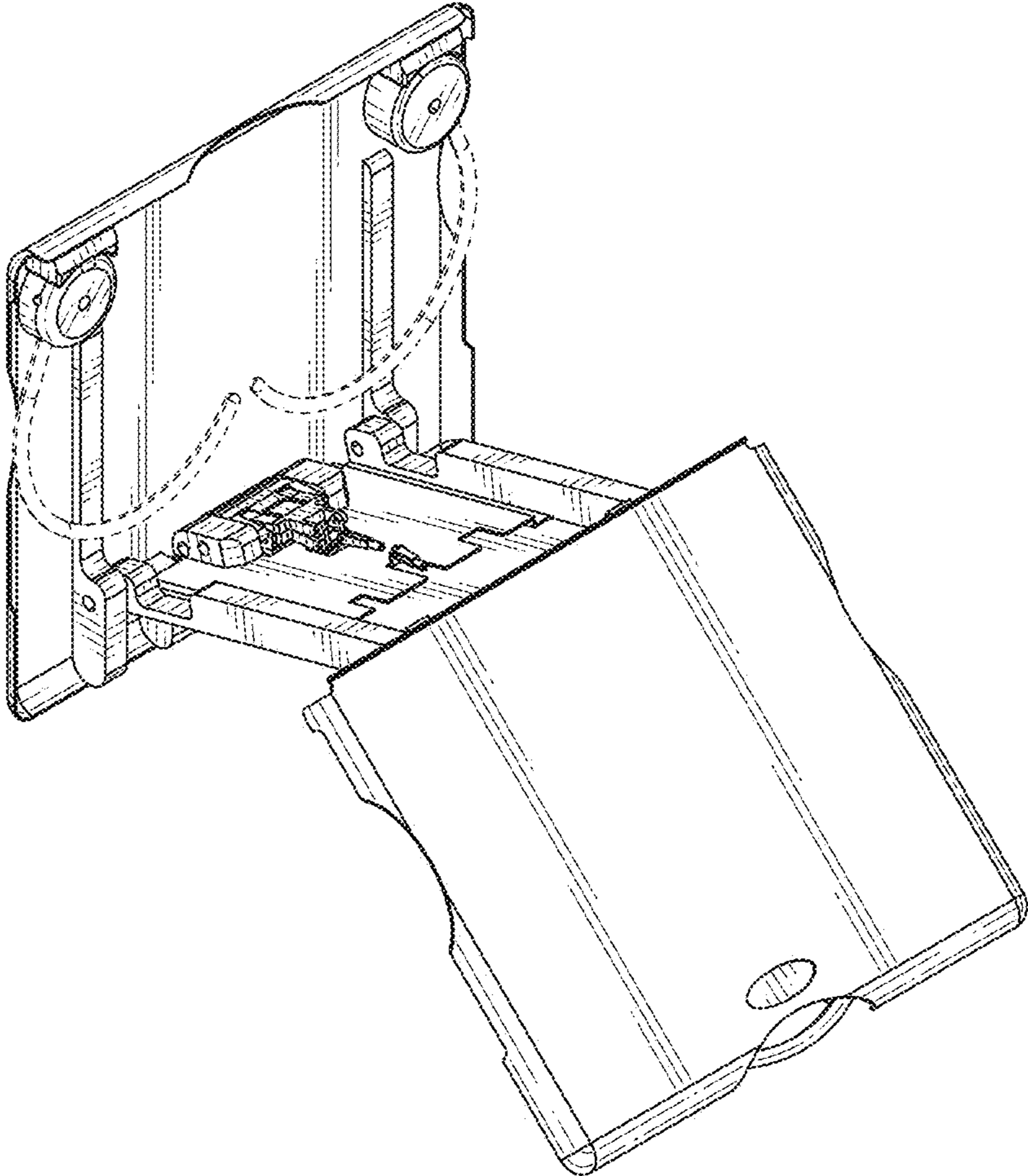


FIG. 5

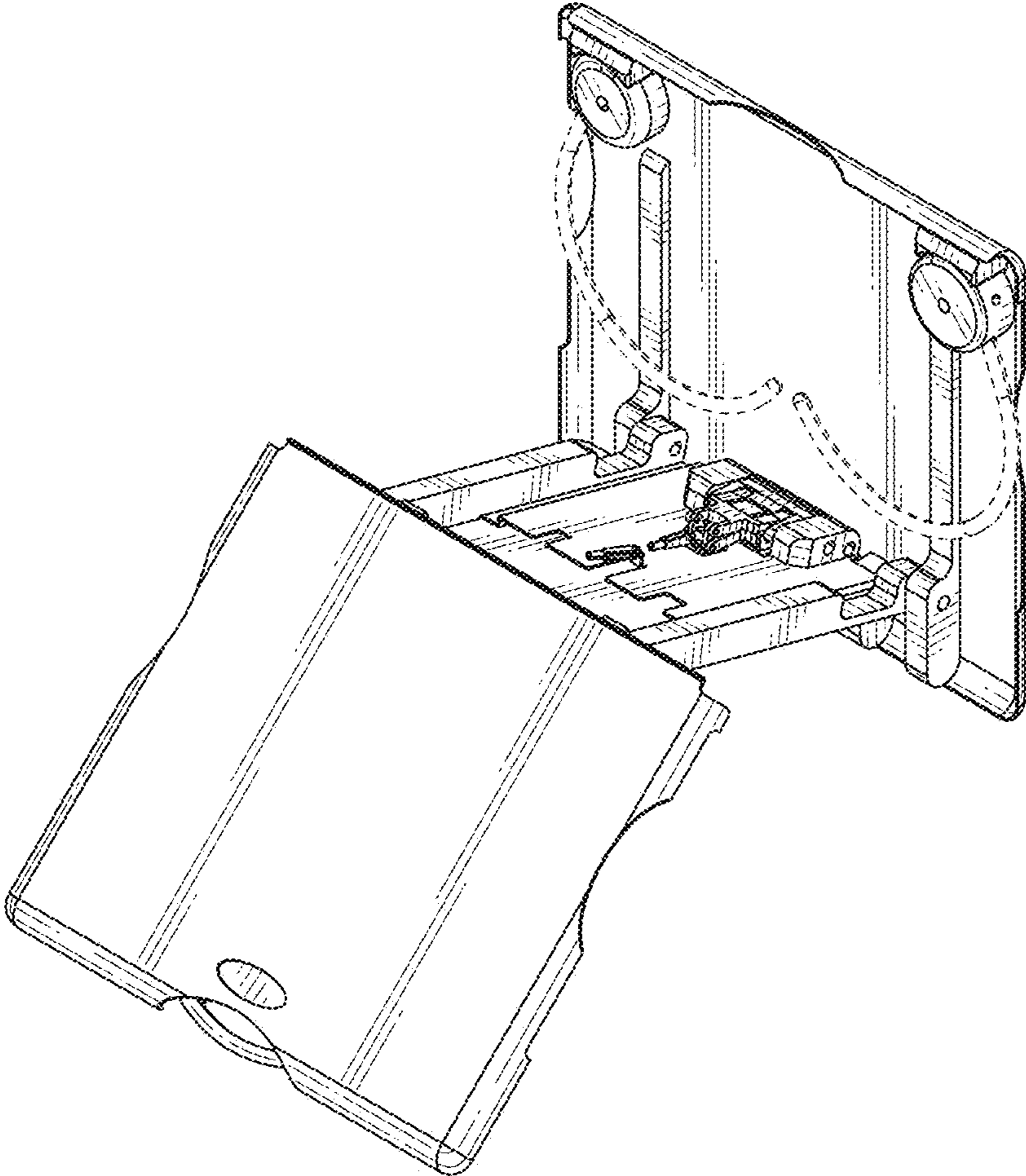


FIG. 6

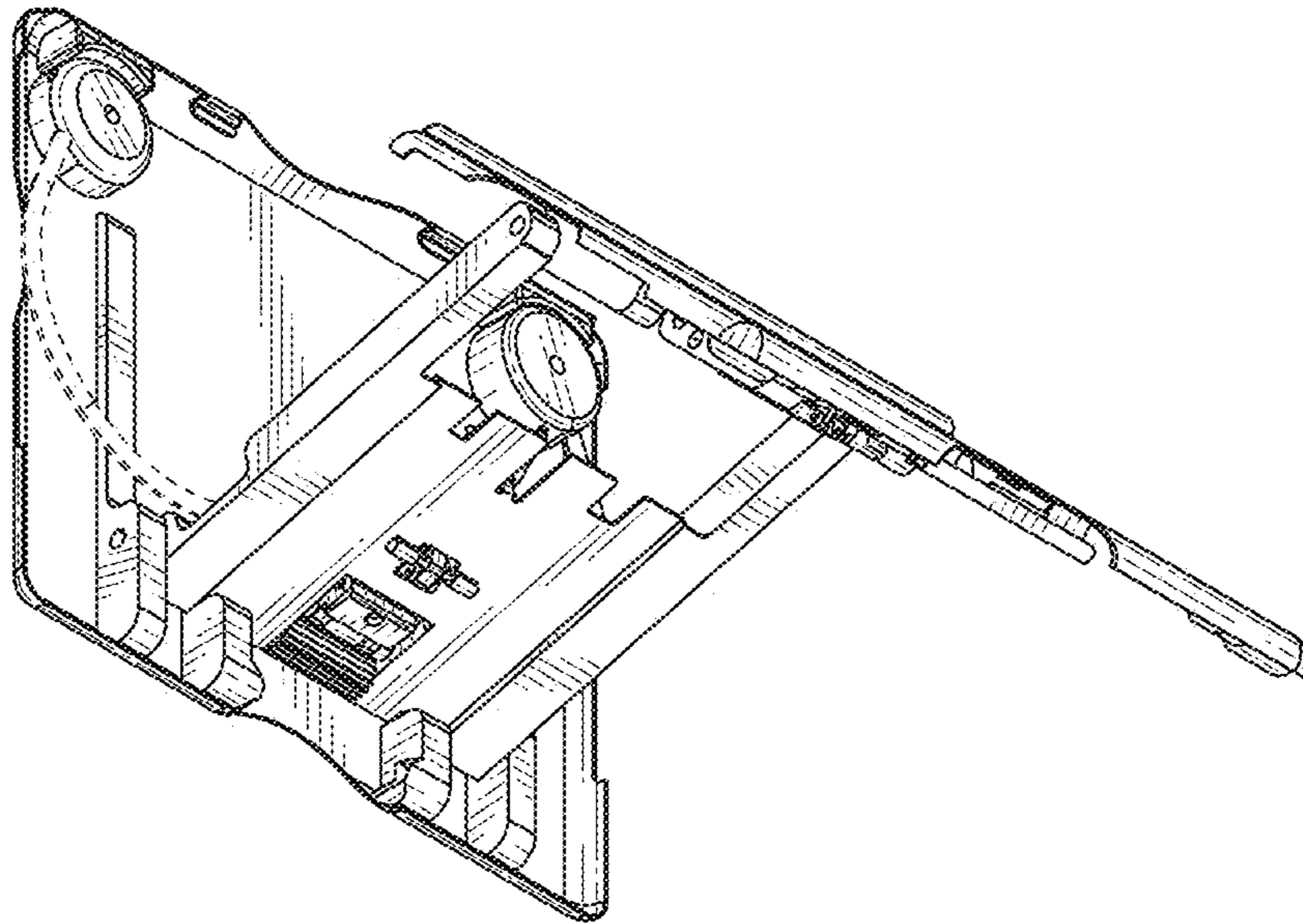


FIG. 7

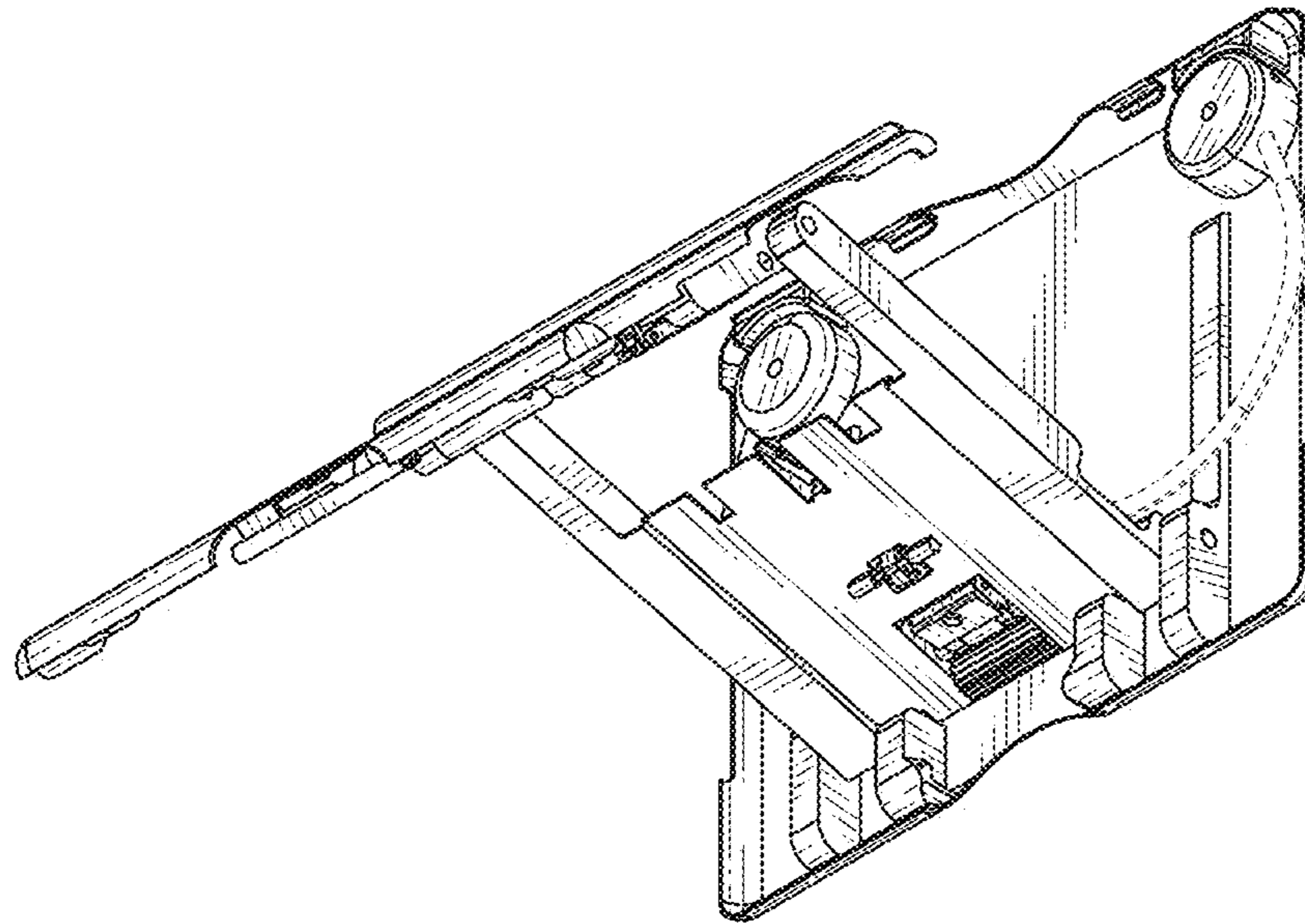


FIG. 8

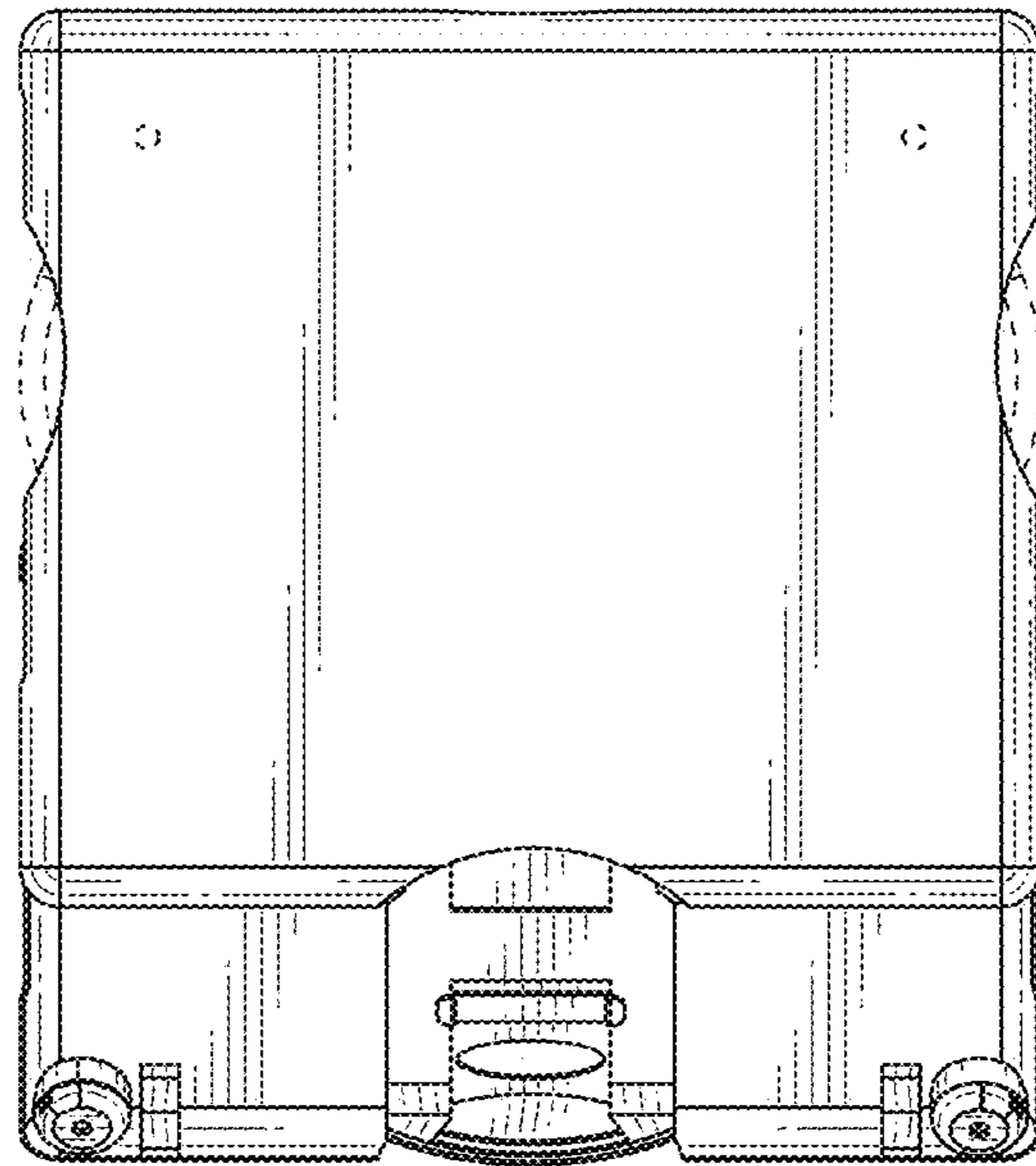


FIG. 9

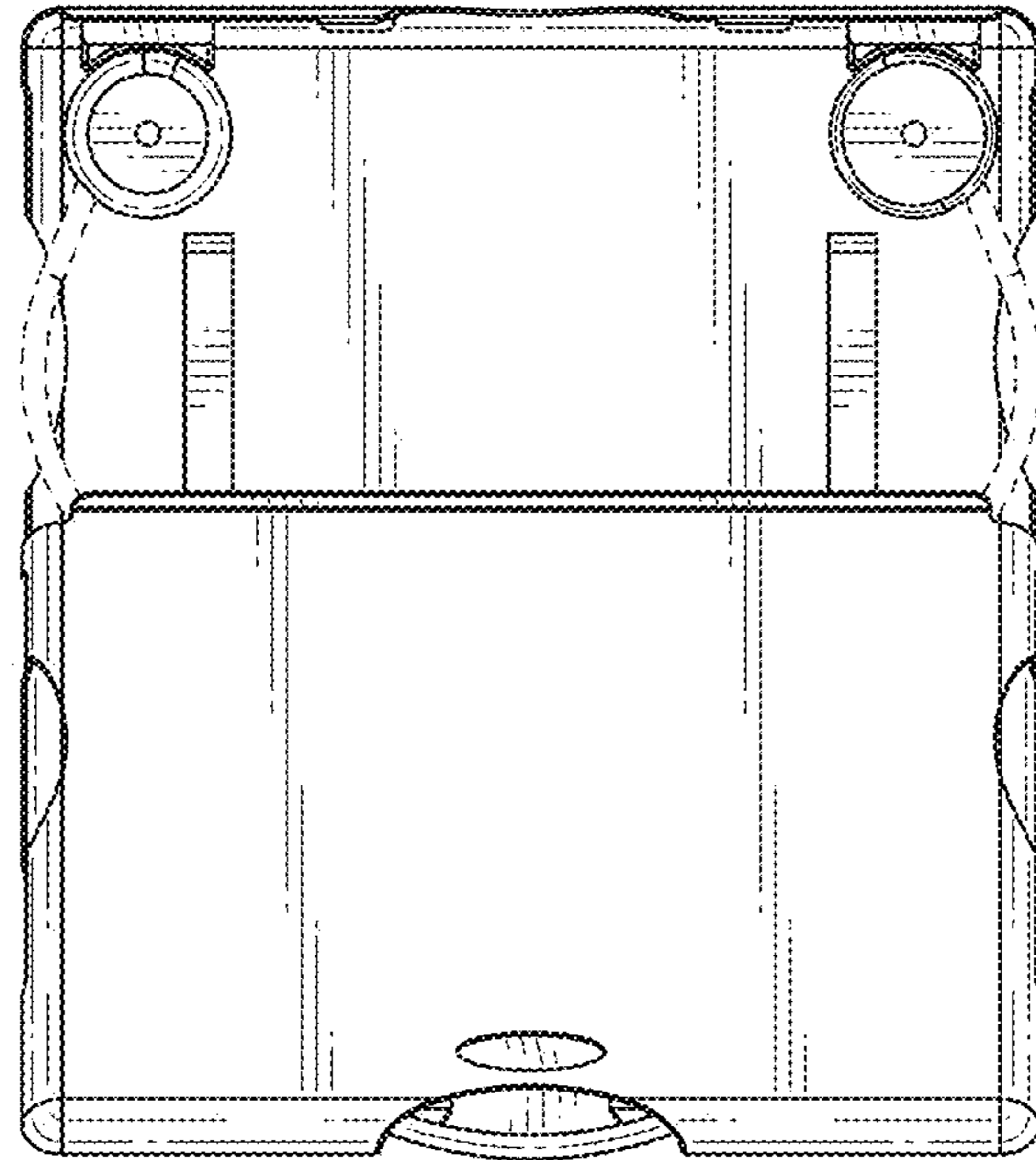


FIG. 10

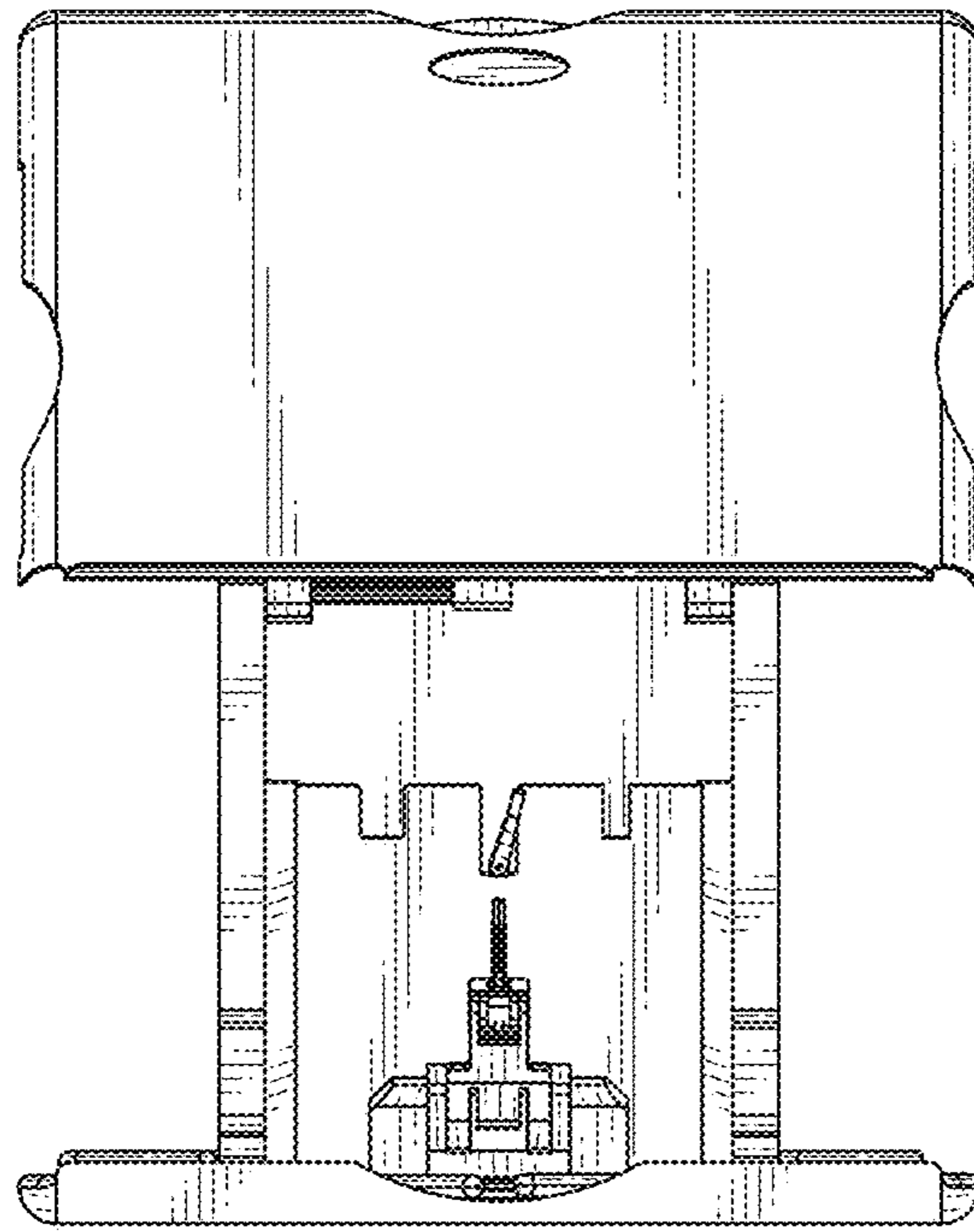


FIG. 11

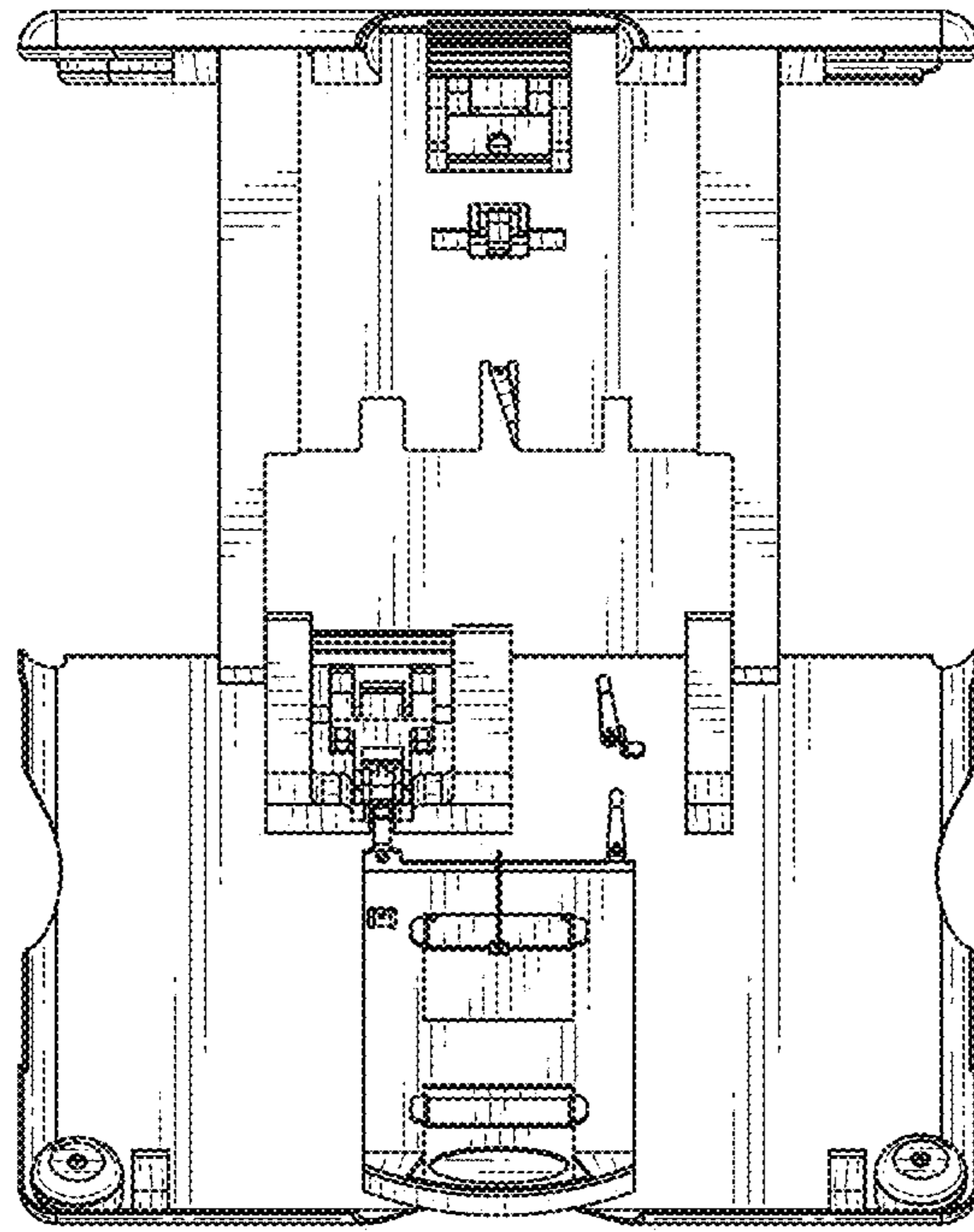


FIG. 12

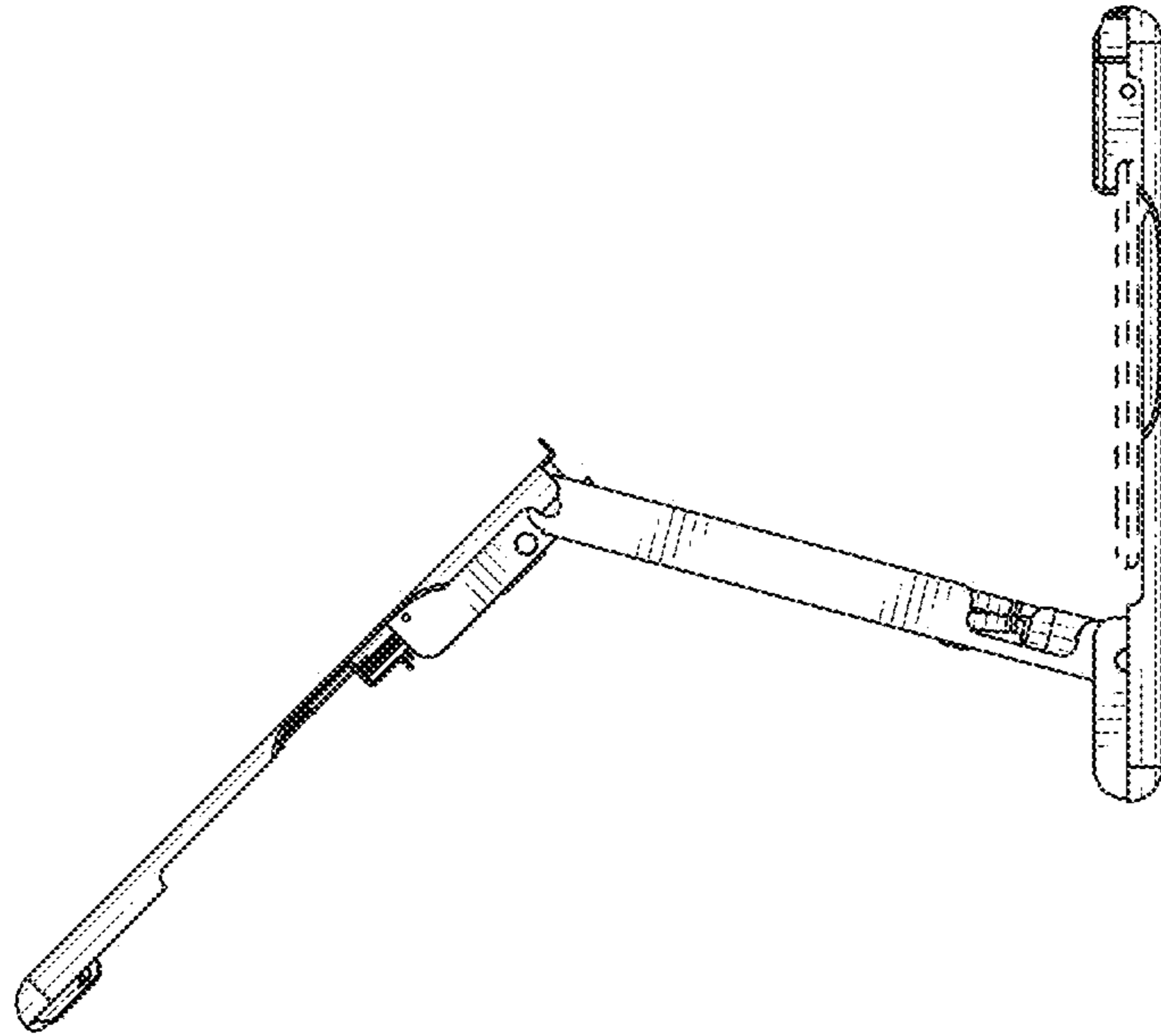


FIG. 13

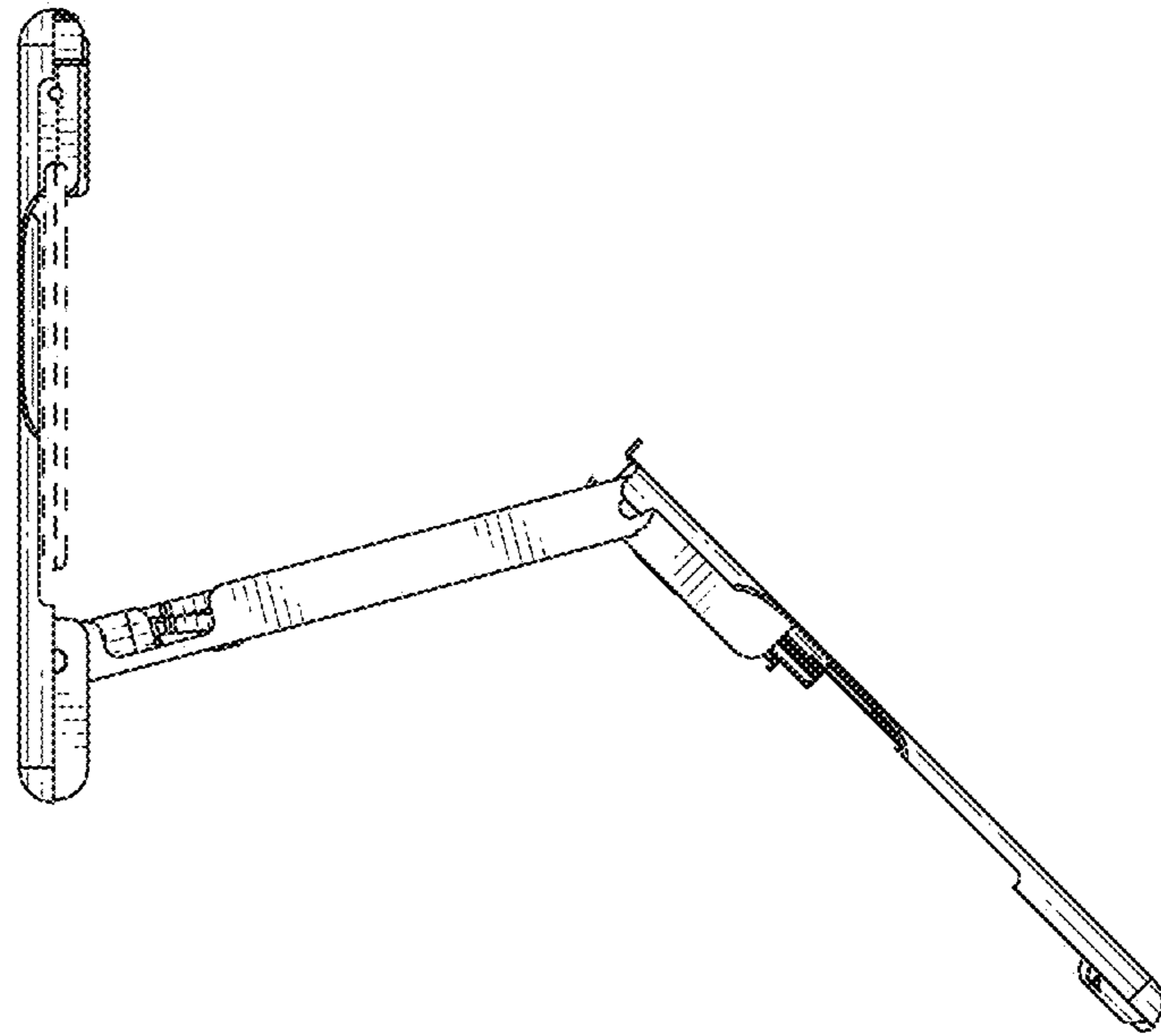


FIG. 14

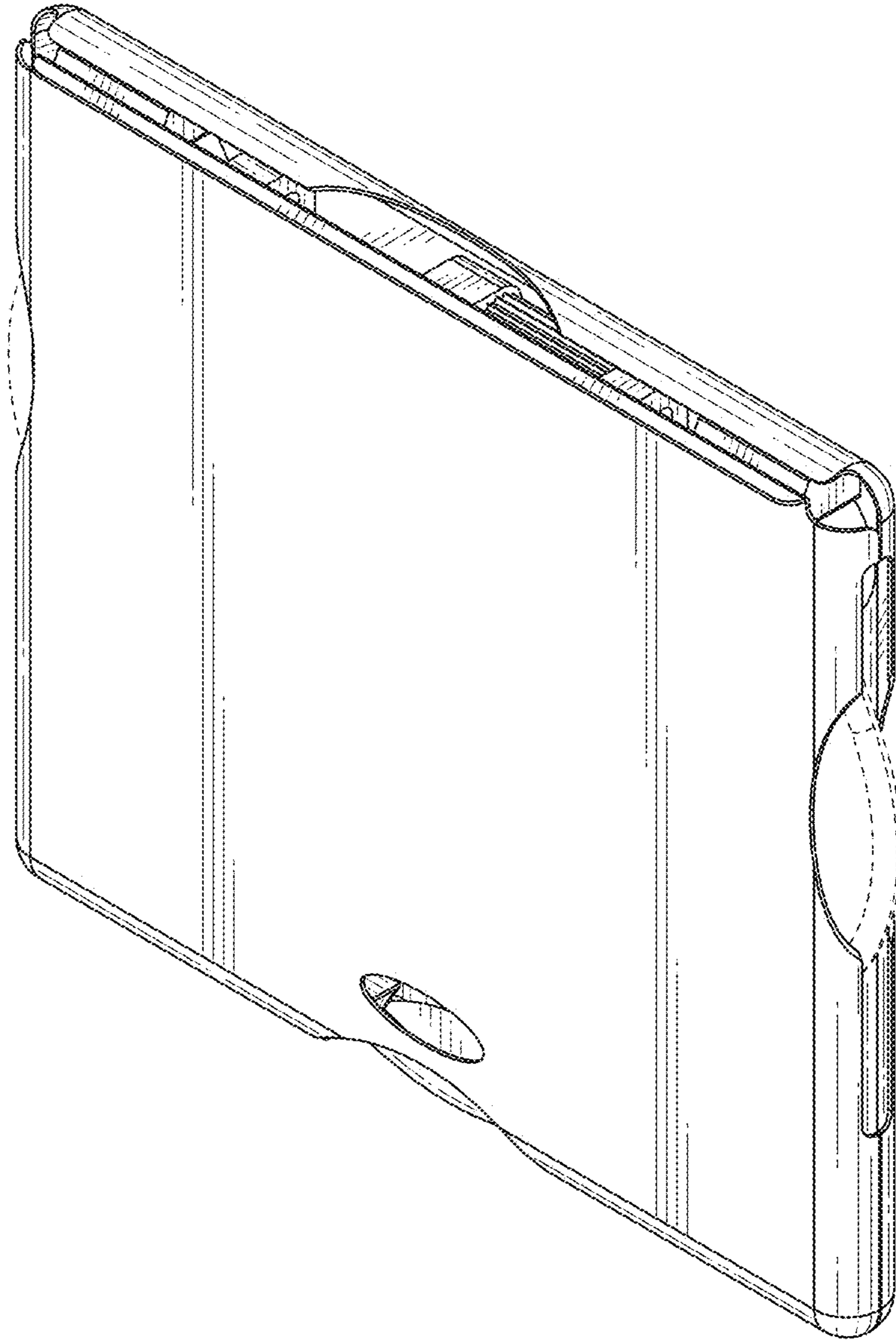


FIG. 15

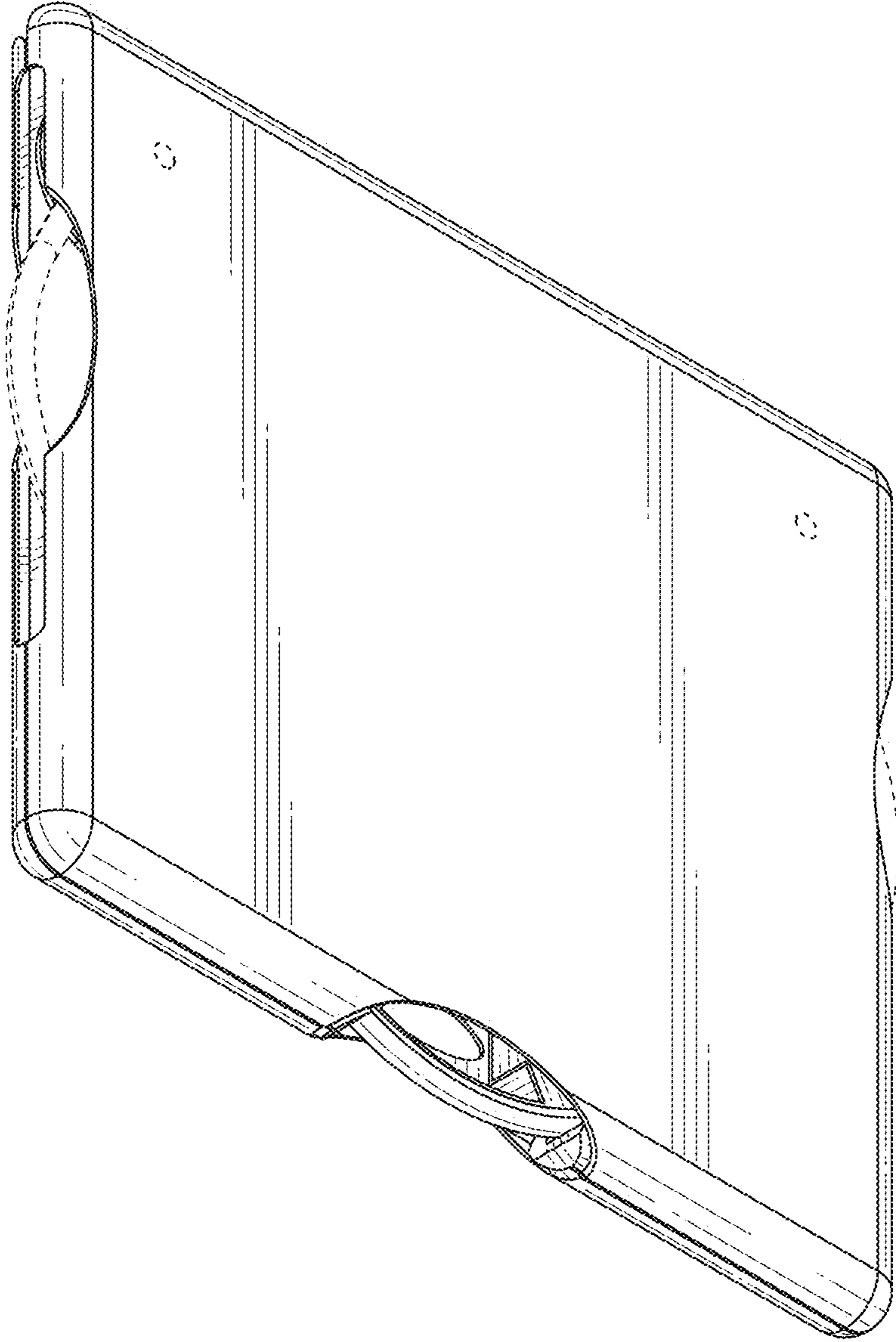


FIG. 16