



US0D1006089S

(12) **United States Design Patent**
Kim et al.

(10) **Patent No.:** **US D1,006,089 S**

(45) **Date of Patent:** **** Nov. 28, 2023**

(54) **SIGHT GLASS**

(71) Applicant: **ESSEN TECH CO., LTD.**, Gunsan-si (KR)

(72) Inventors: **Sung Bum Kim**, Siheung-si (KR); **Ha Yeong Seong**, Siheung-si (KR); **Jung Hoon Choi**, Incheon (KR)

(73) Assignee: **ESSEN TECH CO., LTD.**, Gunsan-si (KR)

(**) Term: **15 Years**

(21) Appl. No.: **29/808,927**

(22) Filed: **Sep. 24, 2021**

(30) **Foreign Application Priority Data**

Aug. 6, 2021 (KR) 30-2021-0037552

(51) **LOC (14) Cl.** **23-07**

(52) **U.S. Cl.**
USPC **D23/259**

(58) **Field of Classification Search**
USPC D23/213, 230, 233, 245, 249, 259,
D23/262–266; D24/112, 127, 129;
D13/133, 154, 156
CPC F16L 37/091; F16L 41/021; F16L 13/142;
F16L 37/00; F16L 37/008; F16L 39/005;
F16L 39/02; F16L 41/005; F16L 41/007;
F16L 37/127; F16L 37/16; F16L 37/06;
F16L 37/12; F16L 37/092; F16L 37/0925;
F16L 37/0927; F16L 37/146; F16L
37/148; F16L 37/252; F16L 37/04; F16L
33/01; F16L 33/23; F16L 33/28
See application file for complete search history.

(56) **References Cited**

U.S. PATENT DOCUMENTS

D481,109 S * 10/2003 Dole D23/263
D481,110 S * 10/2003 Snyder, Sr. D23/263

D516,686 S * 3/2006 Wilk, Jr. D23/262
D517,176 S * 3/2006 Wilk, Jr. D23/262
D574,067 S * 7/2008 Pampinella D23/262

(Continued)

FOREIGN PATENT DOCUMENTS

CN 202230641612.4 * 1/2023
CN 202230724225.7 * 4/2023
CN D2023-00172 * 4/2023

OTHER PUBLICATIONS

1 in. Tee Pipe Fittings Push to Connect PEX Copper, CPVC Brass (5-Pack), review date: Mar. 23, 2019, site visited Apr. 20, 2023; <https://www.homedepot.com/p/The-Plumber-s-Choice-1-in-Tee-Pipe-Fittings-Push-to-Connect-PEX-Copper-CPVC-Brass-5-Pack-15UPET/308971080> (Year: 2019).*

(Continued)

Primary Examiner — Karen S Acker
Assistant Examiner — Andrea Marie McKay
(74) *Attorney, Agent, or Firm* — Rabin & Berdo, P.C.

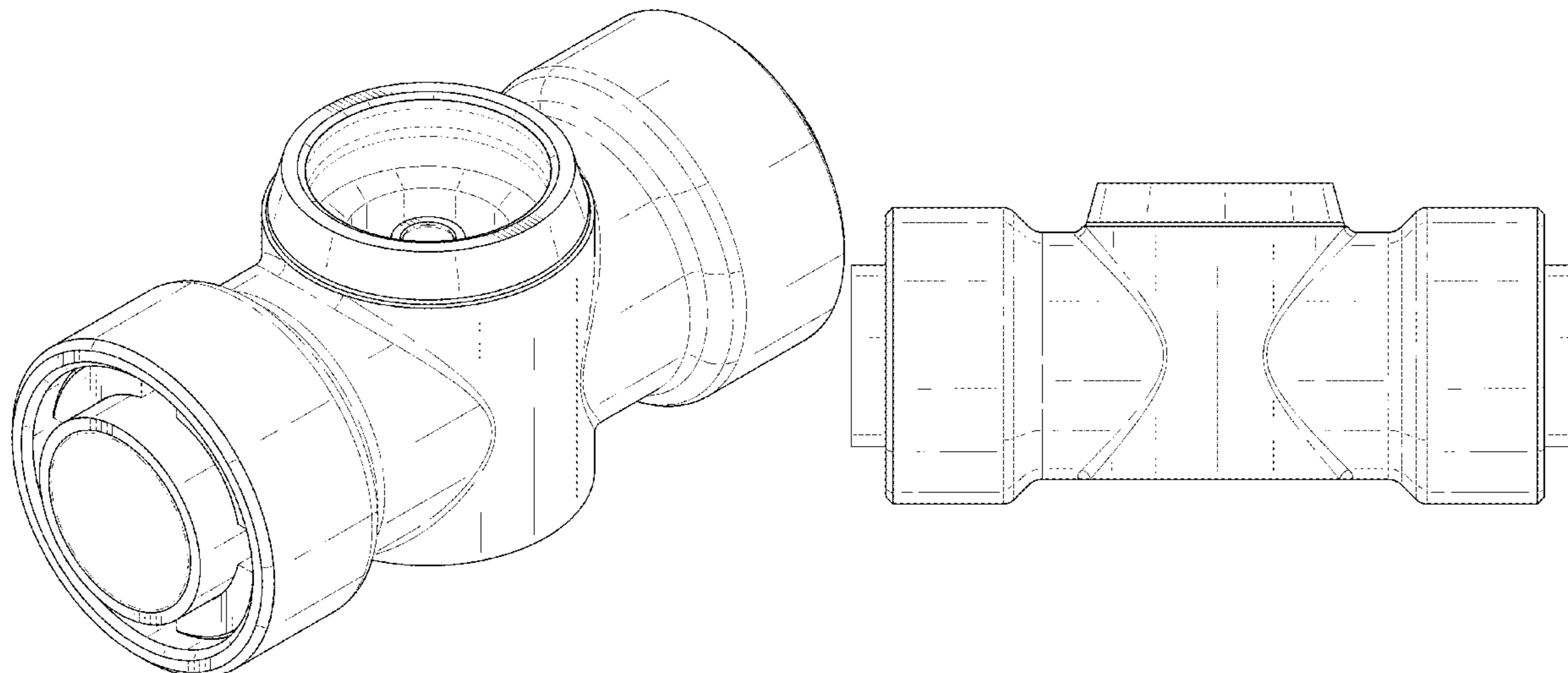
(57) **CLAIM**

The ornamental design for a sight glass, as shown and described.

DESCRIPTION

FIG. 1 is a perspective view of a sight glass showing my new design;
FIG. 2 is a front view thereof;
FIG. 3 is a rear view thereof;
FIG. 4 is a left side view thereof;
FIG. 5 is a right side view thereof;
FIG. 6 is a top view thereof; and,
FIG. 7 is a bottom view thereof.
The broken lines shown depict portions of the sight glass that form no part of the claim.
The dot dash dot broken lines depict the boundaries of the claim and form no part thereof.

1 Claim, 6 Drawing Sheets



(56)

References Cited

U.S. PATENT DOCUMENTS

D676,942 S *	2/2013	Kluss	D23/262
D722,141 S *	2/2015	Luke	D23/263
D743,511 S *	11/2015	Bednarz	D23/263
D746,954 S *	1/2016	Gledhill	D23/259
D755,940 S *	5/2016	Schulze	D23/266
D905,832 S *	12/2020	Gray	D23/262
D914,165 S *	3/2021	Ji Ho	D23/259
D924,375 S *	7/2021	Decaria	D23/262
D930,802 S *	9/2021	Huang	D23/363
D959,617 S *	8/2022	Meng	D23/262

OTHER PUBLICATIONS

SharkBite Pressure Gauge with 1" Tee, review date: Apr. 20, 2021;
site visited Apr. 20, 2023; <https://www.supplyhouse.com/Cash-Acme-22774-Sharkbite-Pressure-Gauge-with-1-Tee> (Year: 2021).*

* cited by examiner

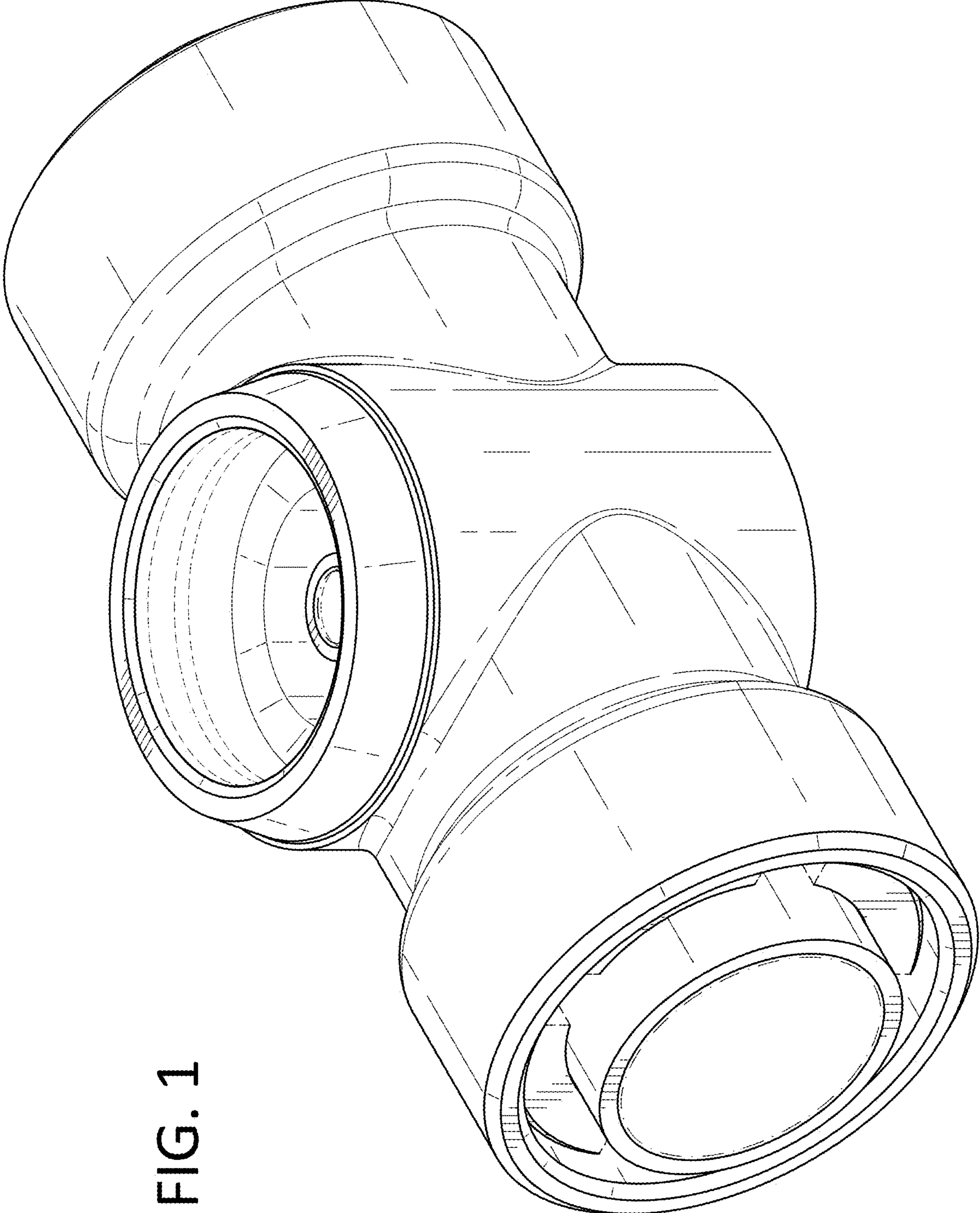


FIG. 1

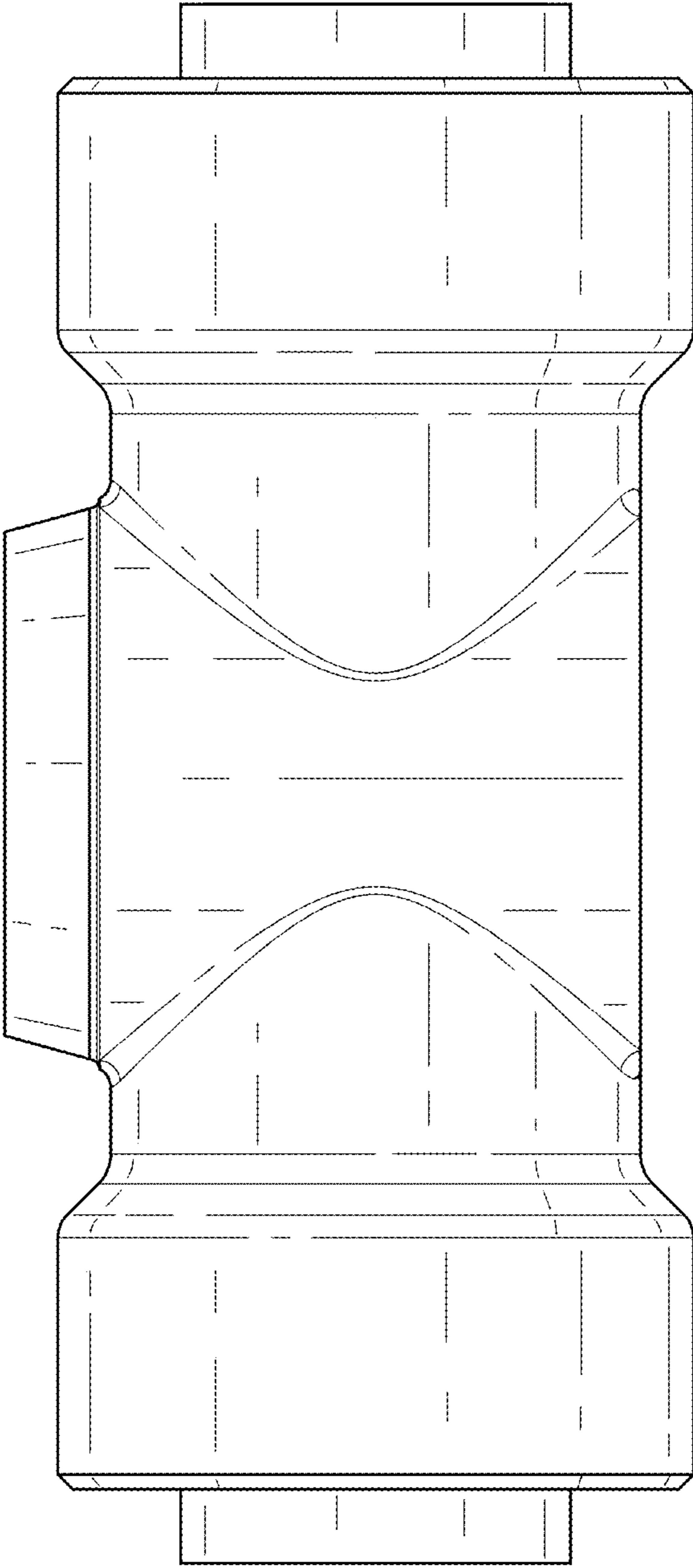


FIG. 2

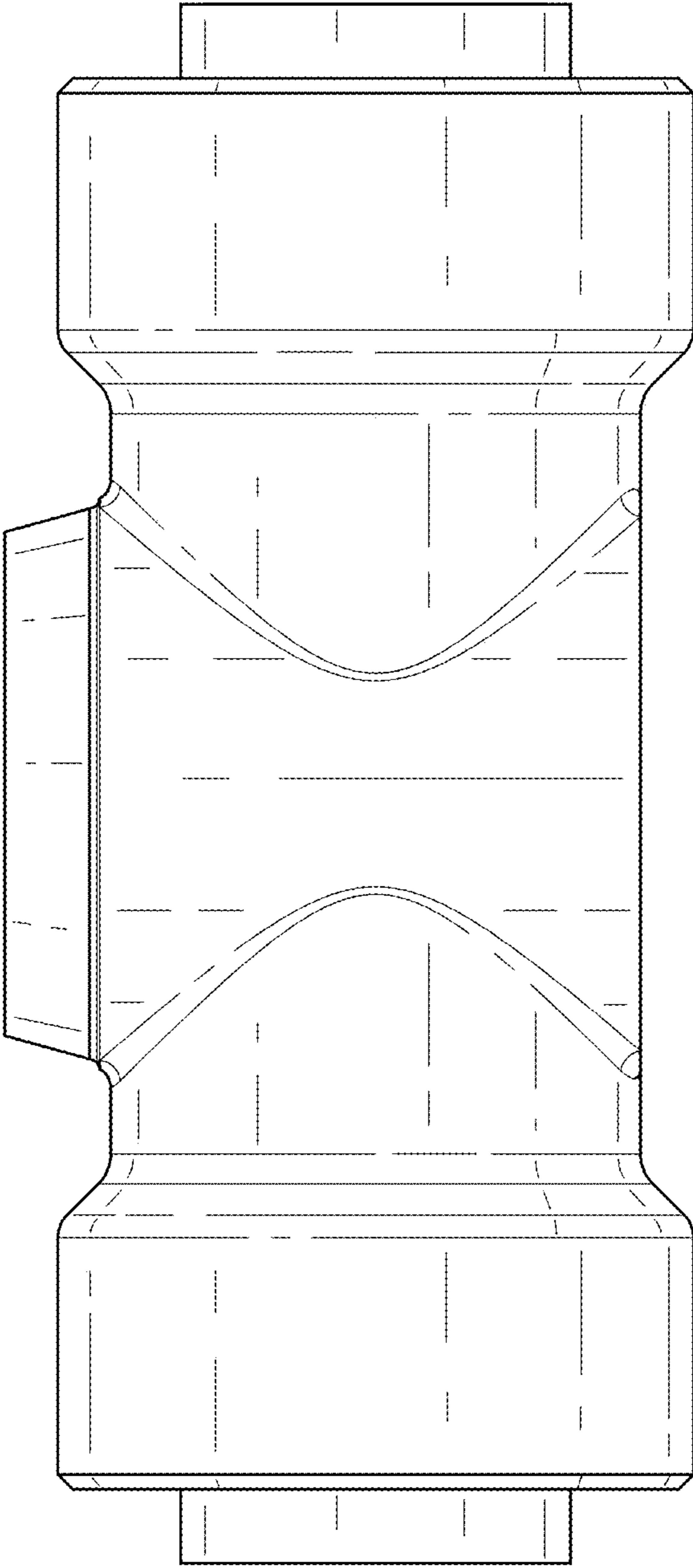


FIG. 3

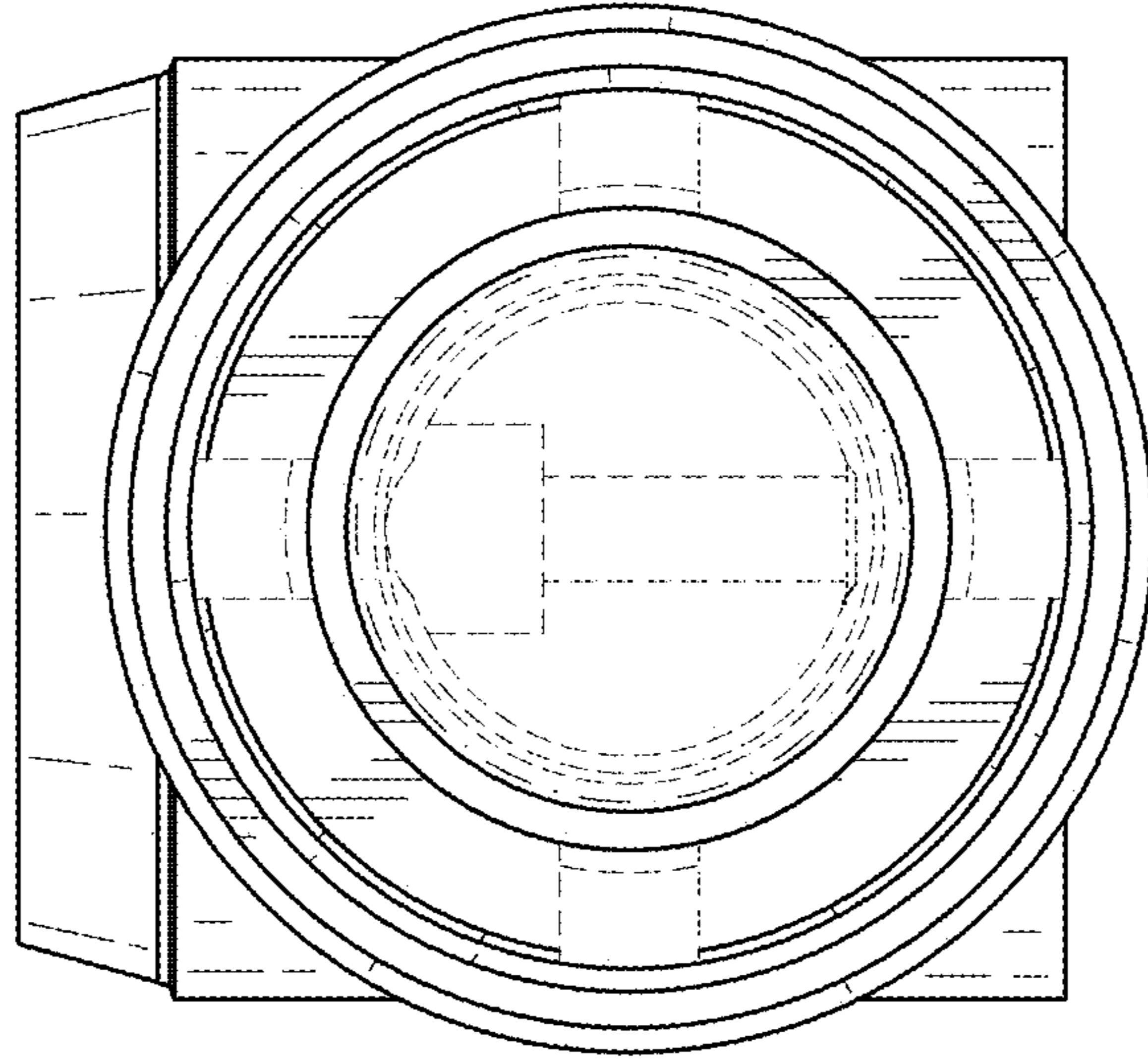


FIG. 5

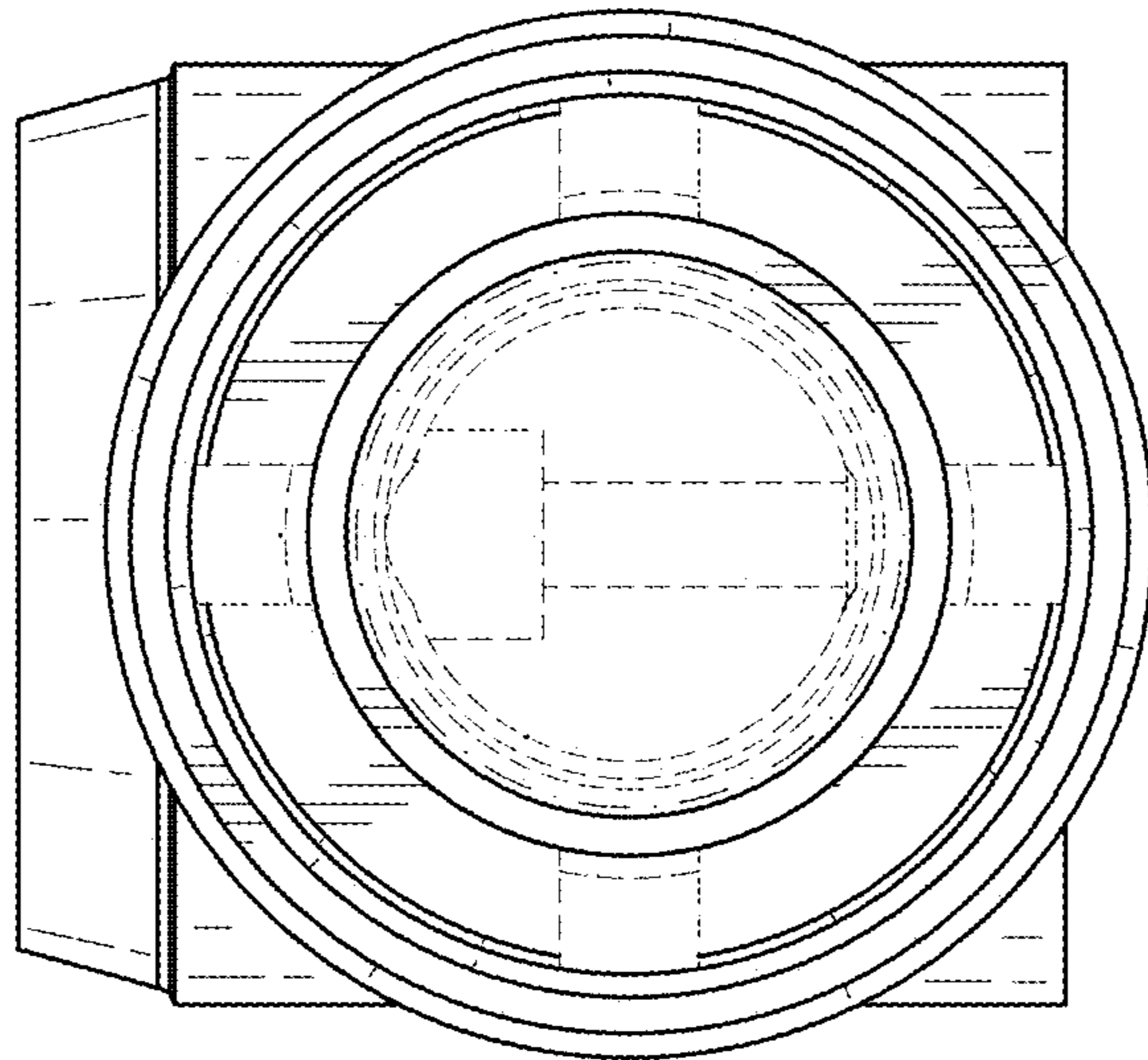


FIG. 4

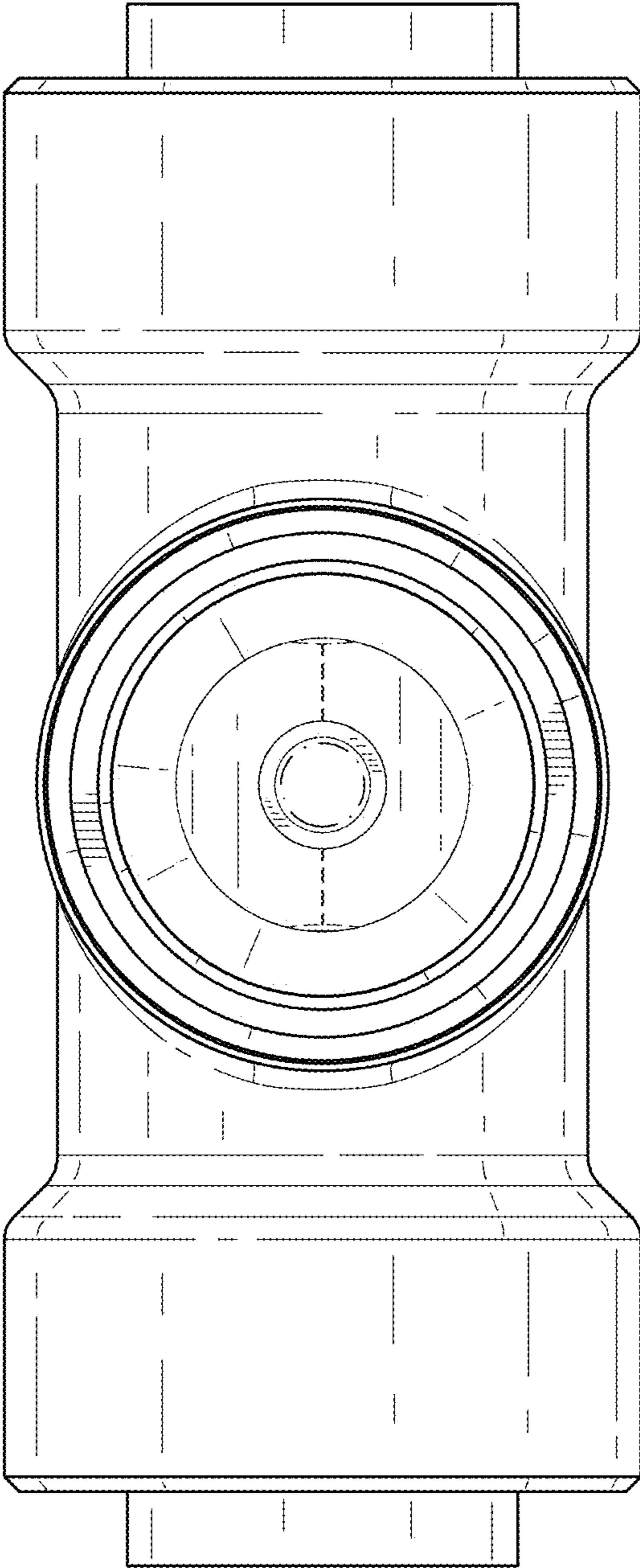


FIG. 6

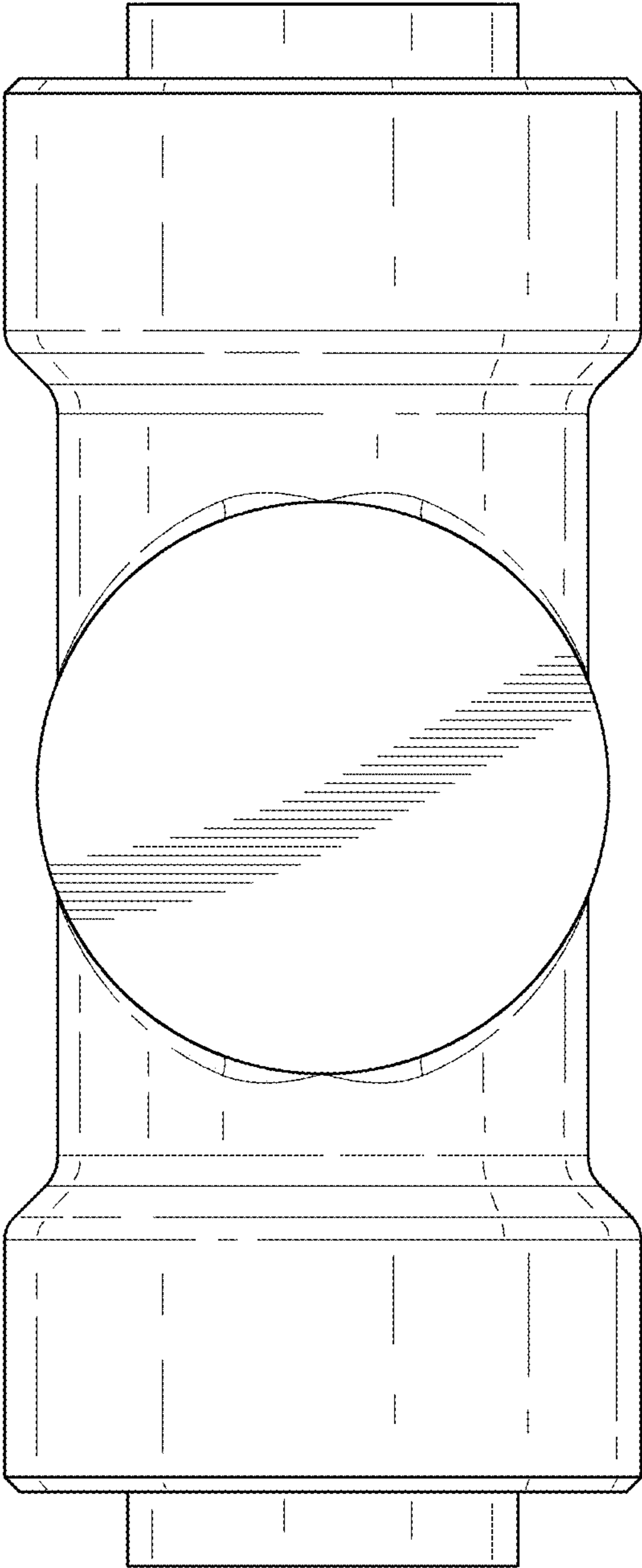


FIG. 7