



US0D1006069S

(12) **United States Design Patent**
Blakey

(10) **Patent No.:** **US D1,006,069 S**

(45) **Date of Patent:** **** Nov. 28, 2023**

(54) **SIX-SECTION ICE TRAY**
(71) Applicant: **Occam Ventures LLC**, Hingham, MA (US)
(72) Inventor: **James Blakey**, Hingham, MA (US)

D906,379 S * 12/2020 Sendowski D15/90
D946,064 S * 3/2022 Zheng D15/90
D948,943 S * 4/2022 Mayer D9/761
D951,307 S * 5/2022 Wu D15/90
D954,766 S * 6/2022 Olegovich D15/89
2023/0235937 A1 * 7/2023 Blakey F25C 1/246
62/347

(73) Assignee: **Occam Ventures LLC**, Hingham, MA (US)

* cited by examiner

(**) Term: **15 Years**

Primary Examiner — Khawaja Anwar

(21) Appl. No.: **29/876,345**

(57) **CLAIM**

The ornamental design for a six-section ice tray, as shown and described.

(22) Filed: **May 19, 2023**

DESCRIPTION

(51) **LOC (14) Cl.** **15-07**

(52) **U.S. Cl.**
USPC **D15/90**

(58) **Field of Classification Search**
USPC D7/672; D15/79-91
CPC F02M 37/04; F02M 37/14; F04B 53/92;
F04B 1/005; F04D 13/06; F04D 29/22;
F04D 29/046; F04D 29/2266
See application file for complete search history.

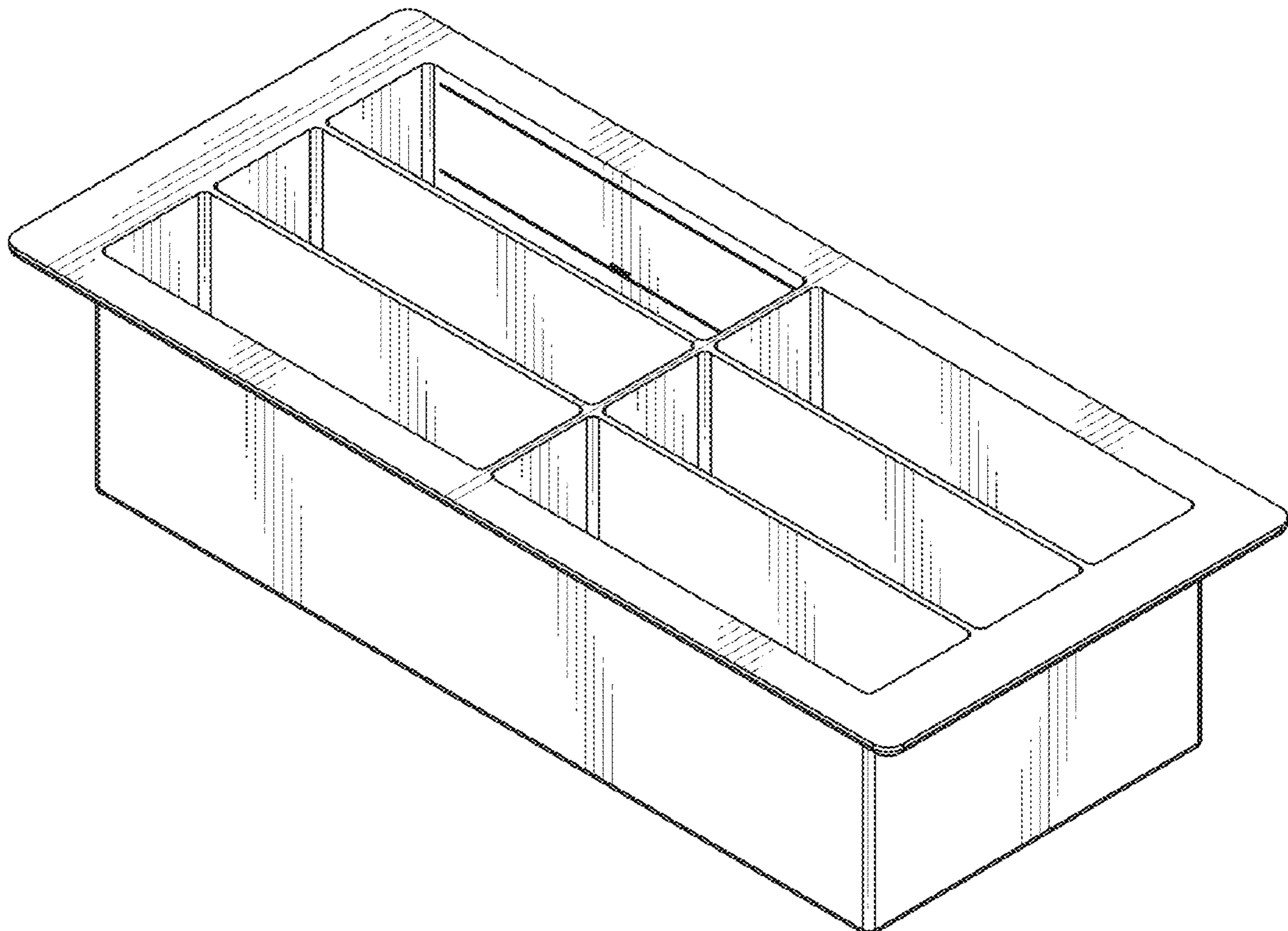
FIG. 1 is a top front right perspective view of a six-section ice tray showing my new design;
FIG. 2 is a bottom rear left perspective view thereof;
FIG. 3 is a front elevational view thereof;
FIG. 4 is a rear elevational view thereof;
FIG. 5 is a right elevational view thereof;
FIG. 6 is a left elevational view thereof;
FIG. 7 is a top plan view thereof;
FIG. 8 is a bottom plan view thereof;
FIG. 9 is a cross sectional view taken along line 9-9 in FIG. 4; and,
FIG. 10 is close up view taken within circle 10-10 in FIG. 9.

(56) **References Cited**

U.S. PATENT DOCUMENTS

10,154,646 B2 * 12/2018 Clark A01J 19/00
D887,460 S * 6/2020 Sendowski D15/90

1 Claim, 10 Drawing Sheets



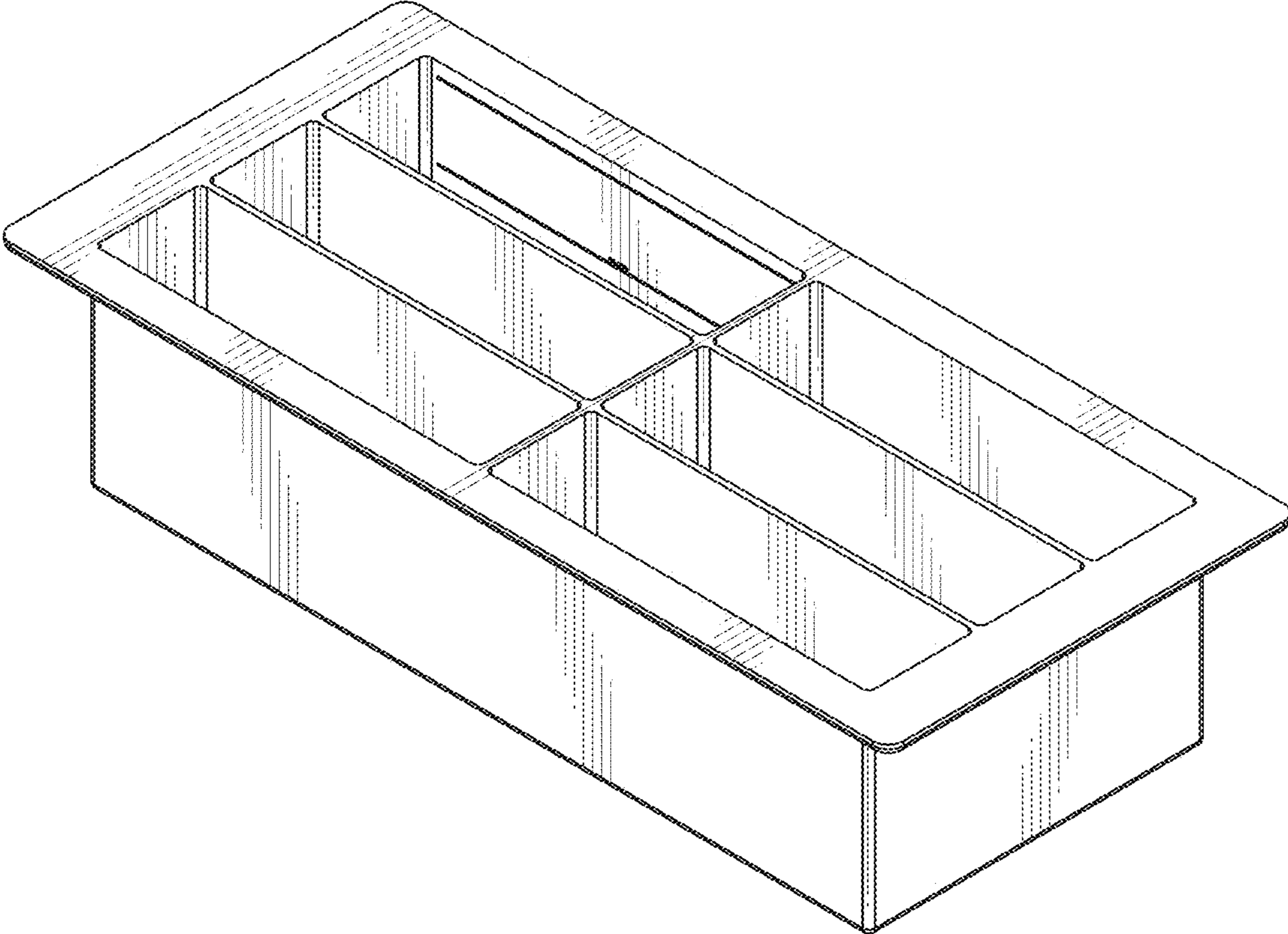


FIG. 1

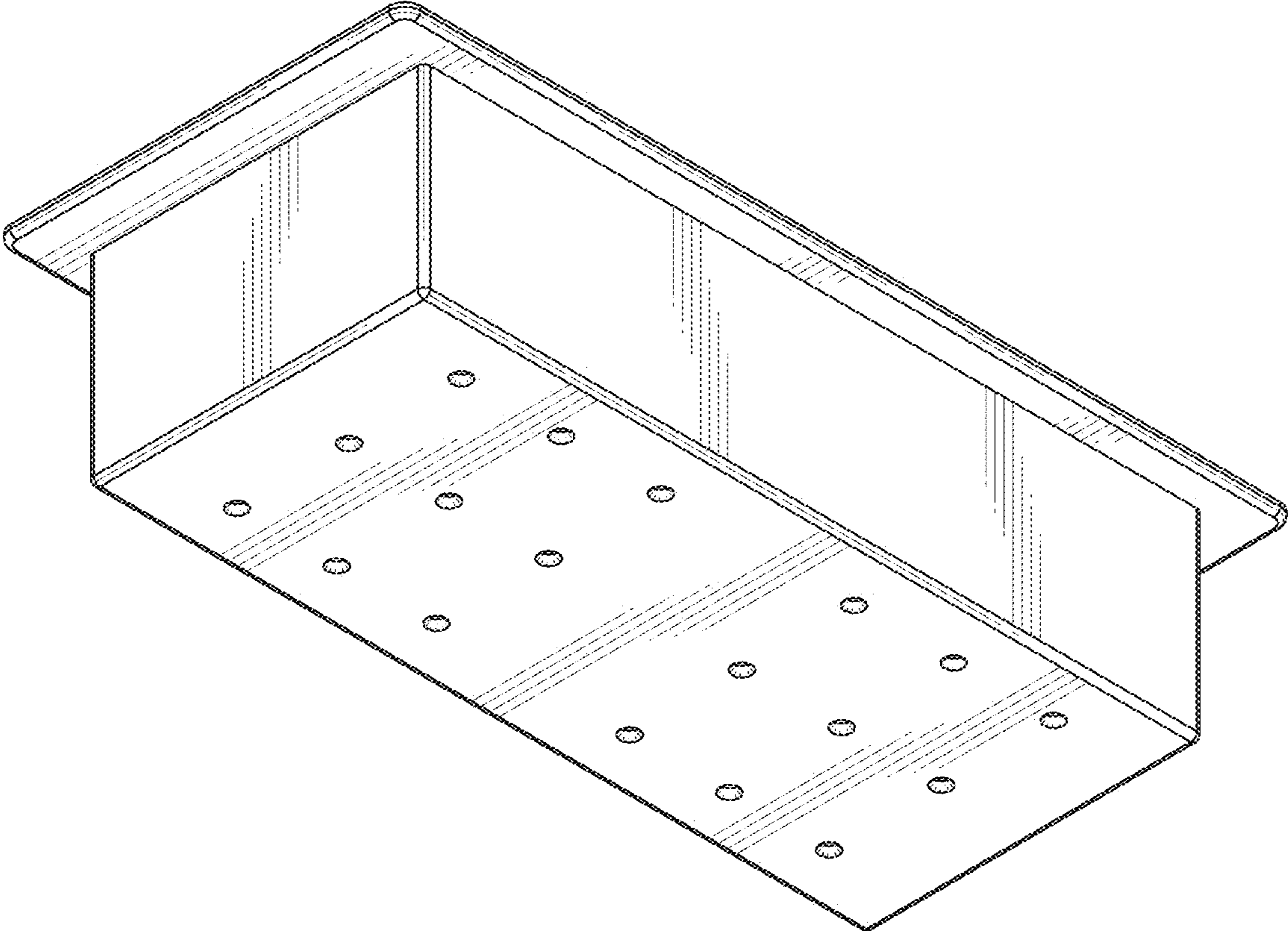


FIG. 2

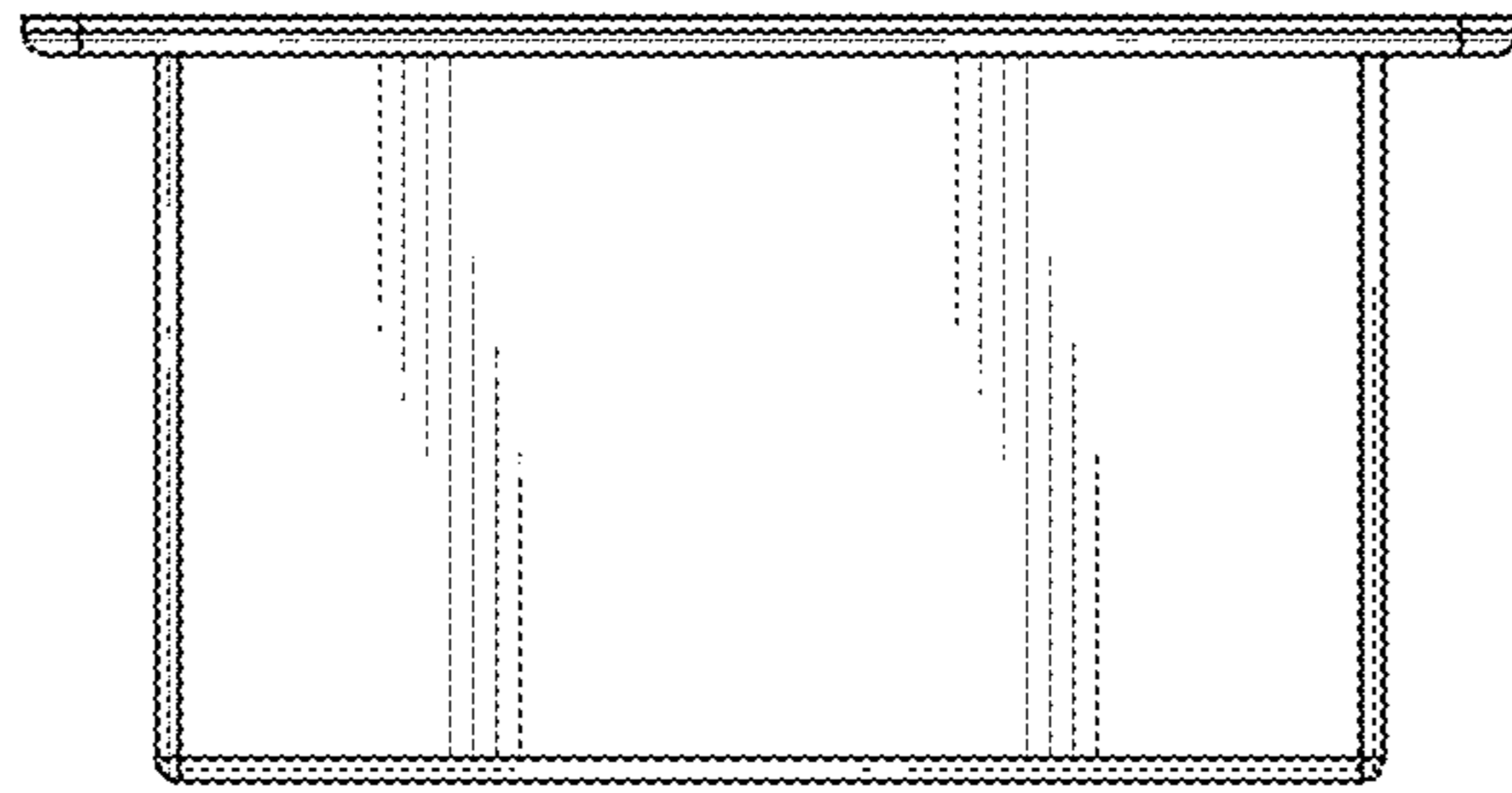


FIG. 3

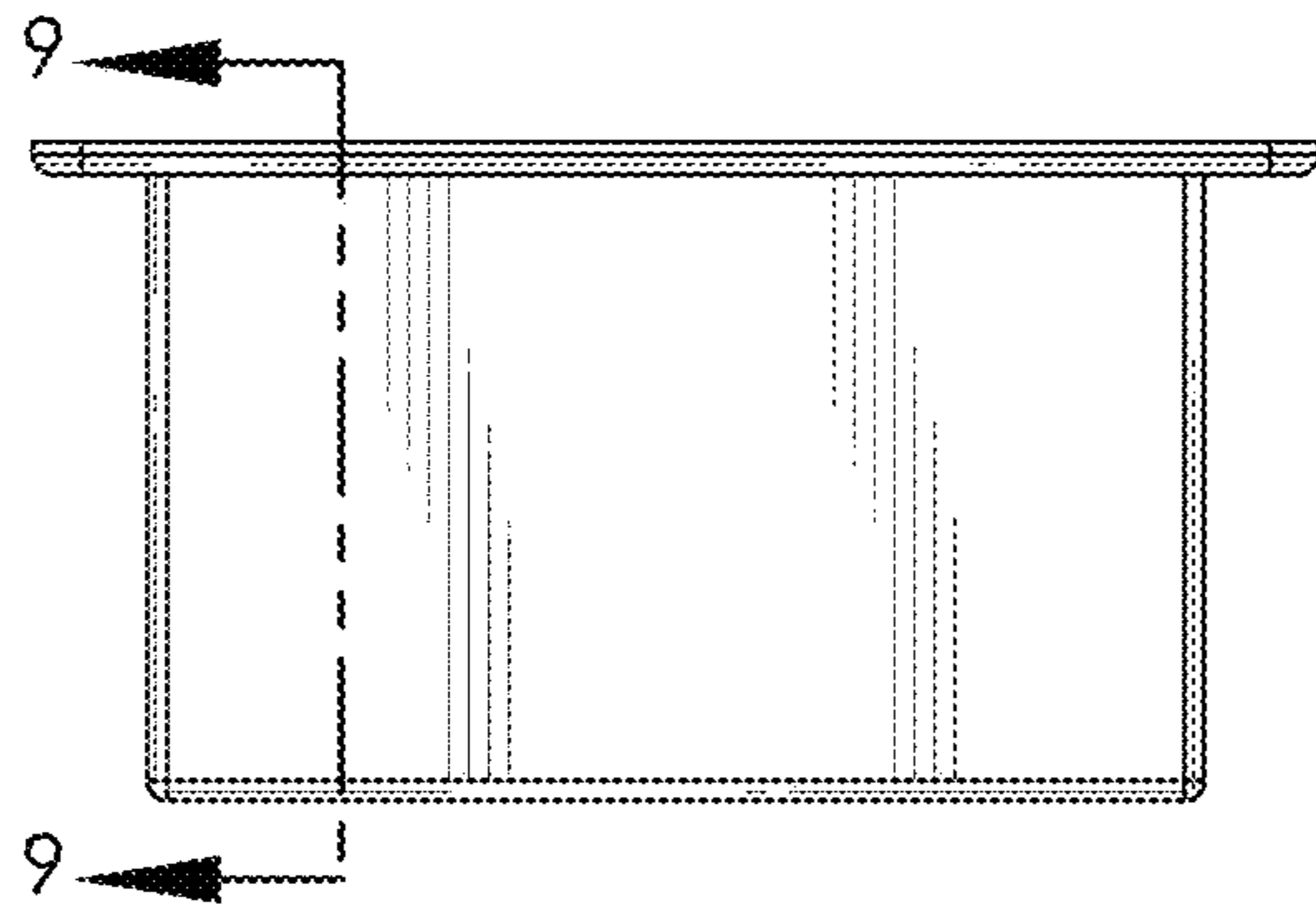


FIG. 4

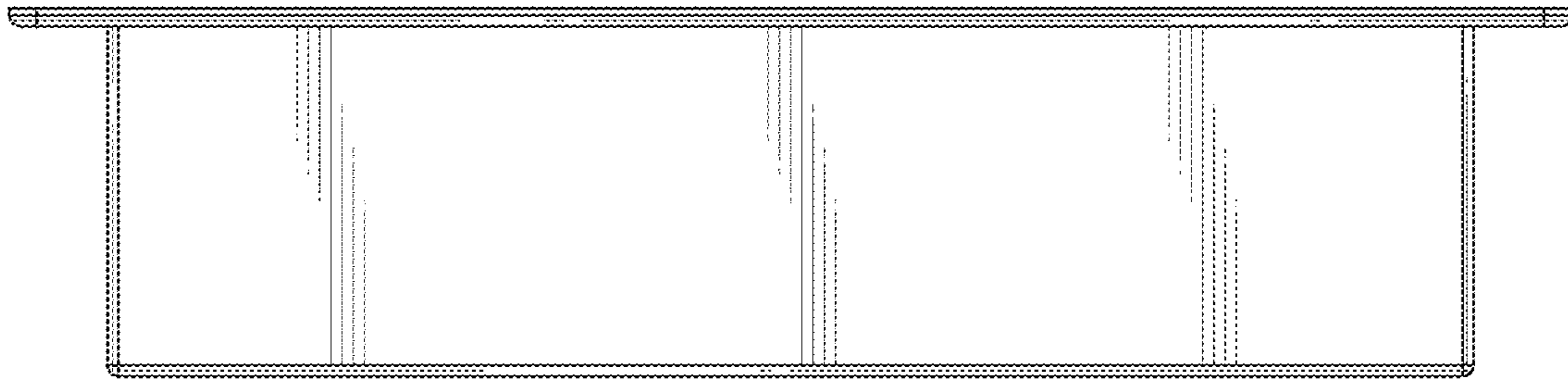


FIG. 5

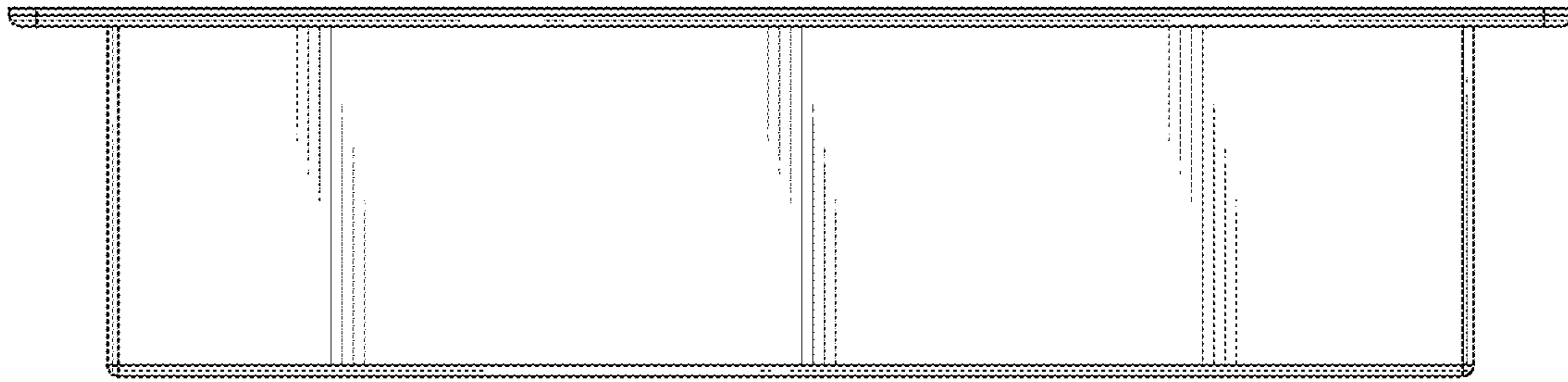


FIG. 6

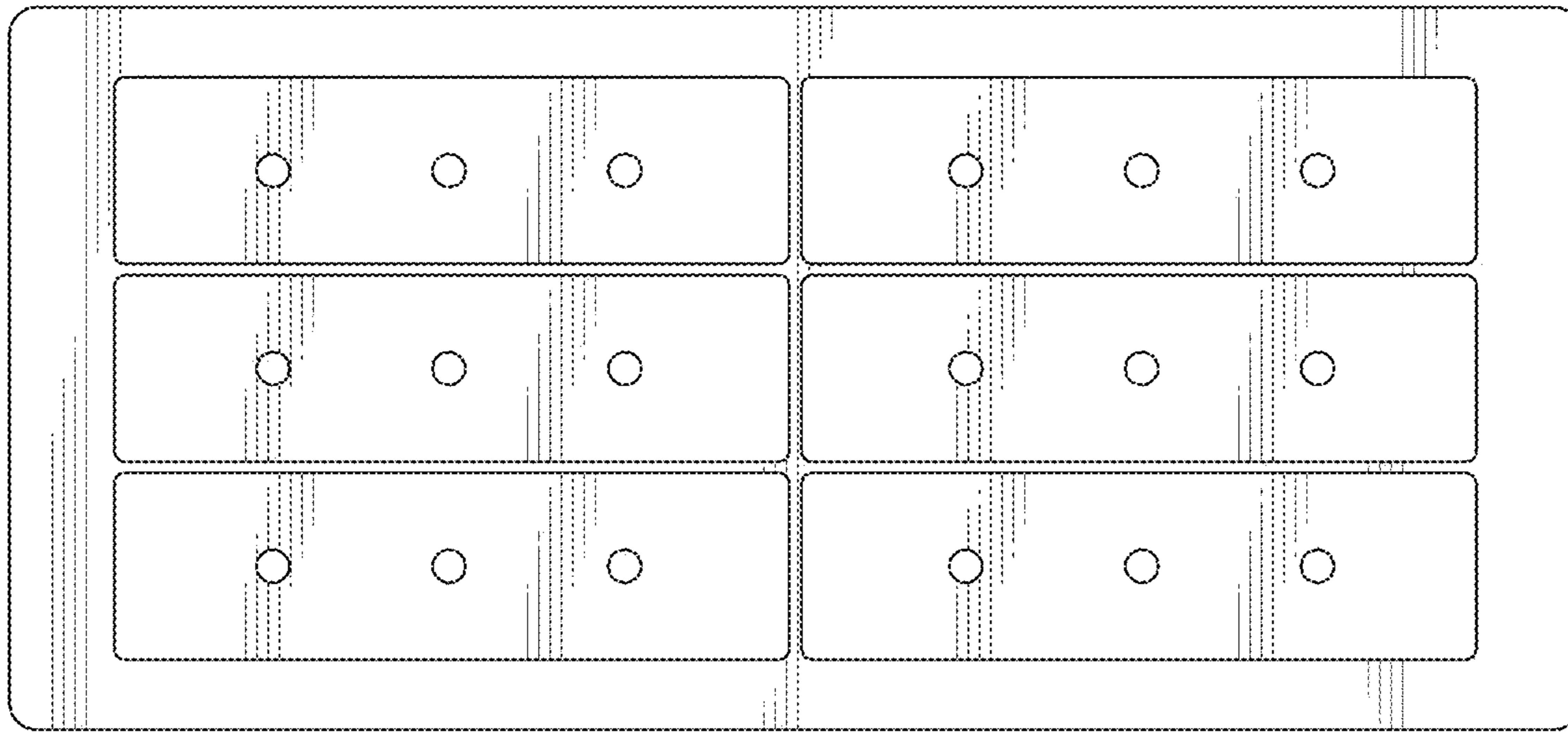


FIG. 7

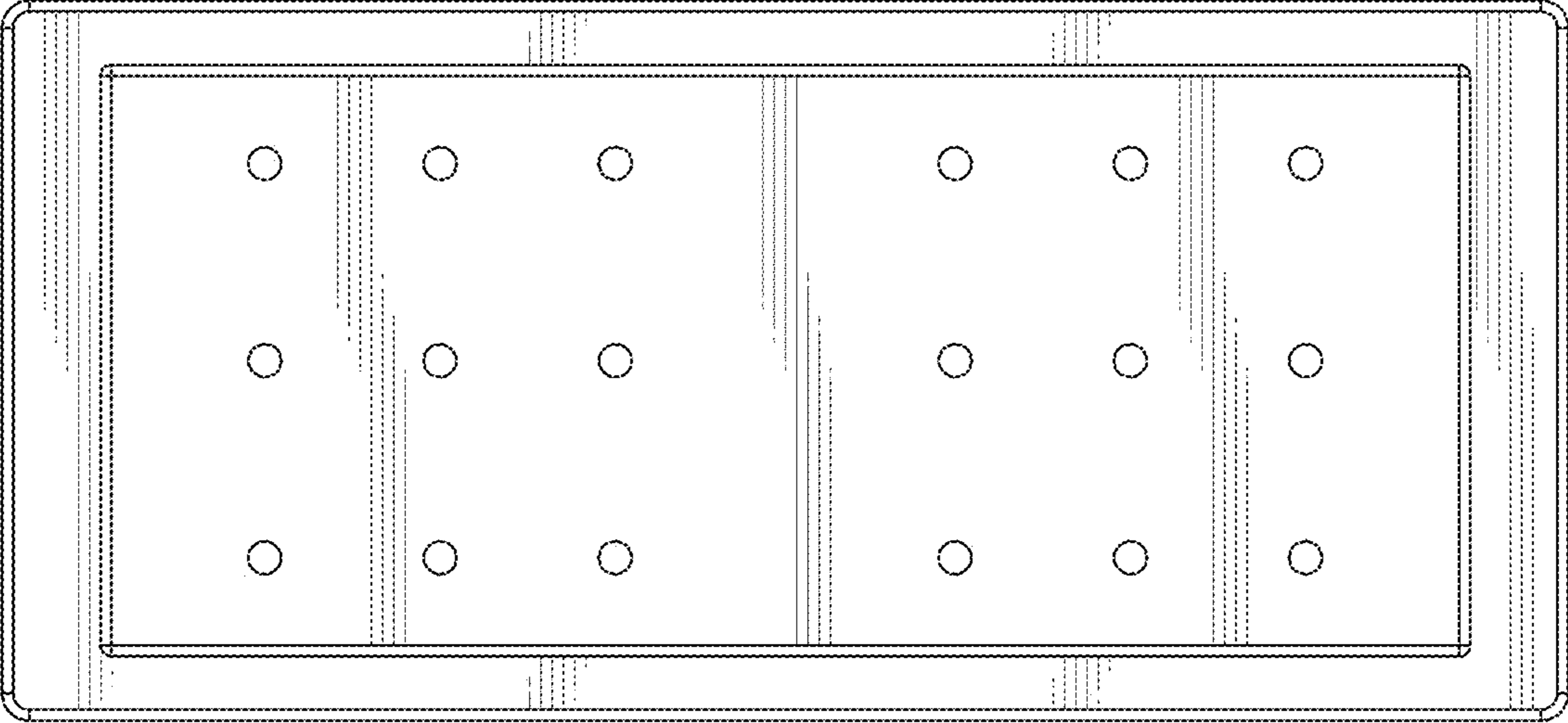


FIG. 8

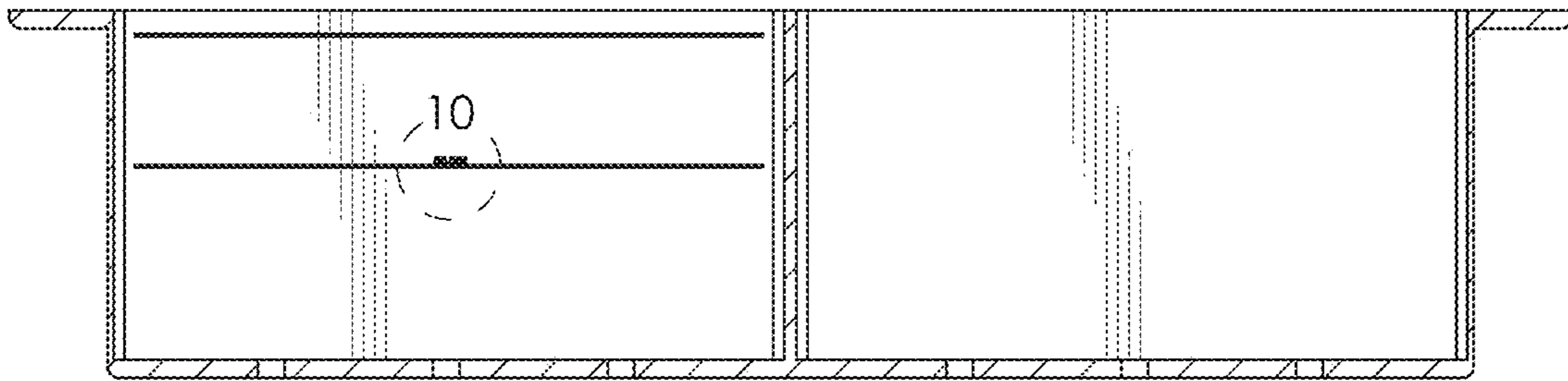


FIG. 9

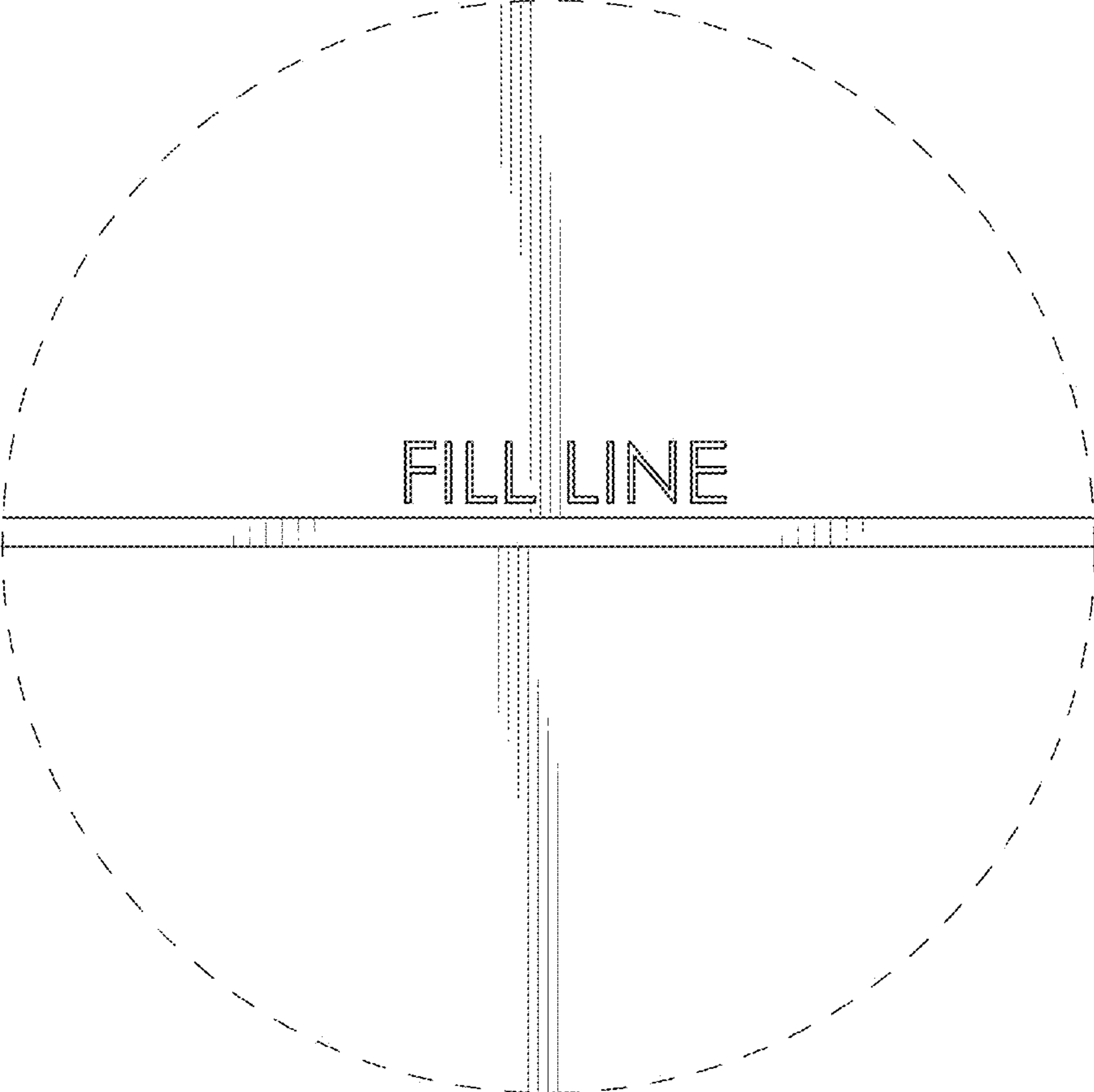


FIG. 10