



US0D1005862S

(12) **United States Design Patent** (10) **Patent No.:** **US D1,005,862 S**  
**Santiago** (45) **Date of Patent:** **\*\* Nov. 28, 2023**

(54) **ELECTRONIC OBJECT LOCATING DEVICE**

(71) Applicant: **Gabriel Santiago**, Huntsville, AL (US)

(72) Inventor: **Gabriel Santiago**, Huntsville, AL (US)

(\*\*) Term: **15 Years**

(21) Appl. No.: **29/843,641**

(22) Filed: **Jun. 22, 2022**

(51) **LOC (14) Cl.** ..... **10-04**

(52) **U.S. Cl.**  
USPC ..... **D10/70**

(58) **Field of Classification Search**  
USPC ..... D10/47, 49, 65, 70, 75, 80, 97-99, 103,  
D10/106.6; D14/435

CPC ..... G01S 5/14; G01S 19/51; G01S 5/0009;  
H04W 4/029; H04W 4/02

See application file for complete search history.

(56) **References Cited**

**U.S. PATENT DOCUMENTS**

- D307,871 S \* 5/1990 Ciccone, III ..... D10/70
- 7,005,985 B1 2/2006 Steeves
- 7,305,631 B1 \* 12/2007 Bort ..... G06F 1/1622  
715/864
- D566,592 S \* 4/2008 Nelson ..... D10/103
- D606,037 S \* 12/2009 Christopher ..... D14/138 AD
- 7,671,577 B2 \* 3/2010 Skultety-Betz ..... G01V 3/08  
324/67
- 7,821,391 B2 10/2010 Gupta
- D626,952 S \* 11/2010 Ding ..... D14/242
- 7,994,918 B2 8/2011 Lai
- D682,718 S \* 5/2013 Azuma ..... D10/70
- D701,779 S \* 4/2014 Bremenkamp ..... D10/70
- 8,717,165 B2 5/2014 Gernandt
- D729,643 S \* 5/2015 Browning ..... D10/65
- D743,824 S \* 11/2015 Lumme ..... D10/70
- 9,311,586 B2 4/2016 Robinette
- 9,392,404 B2 7/2016 Daoura

- D763,209 S \* 8/2016 Park ..... D14/125
- 9,439,599 B2 \* 9/2016 Thompson ..... G16H 40/67
- D787,066 S \* 5/2017 Kim ..... D10/97
- 9,665,913 B2 5/2017 Loutit
- D788,603 S \* 6/2017 Liu ..... D10/49
- D807,318 S \* 1/2018 Folkmann ..... D14/149
- D812,229 S \* 3/2018 Al-Siddiq ..... D24/167
- D826,916 S \* 8/2018 Cho ..... D14/240
- D831,657 S \* 10/2018 Shim ..... D14/363
- D842,139 S \* 3/2019 Fischer ..... D10/65
- 10,490,905 B2 \* 11/2019 Izadian ..... H01Q 21/0087
- D890,002 S \* 7/2020 Cound ..... D10/70
- D896,106 S \* 9/2020 Gong ..... D10/56
- D896,764 S \* 9/2020 Gutierrez ..... D13/162
- D902,201 S \* 11/2020 Henne ..... D10/65
- D915,229 S \* 4/2021 King ..... D10/70
- D917,472 S \* 4/2021 Kwon ..... D14/363
- D918,998 S \* 5/2021 Zhang ..... D18/4.6
- D932,016 S \* 9/2021 Lam ..... D24/167
- 11,304,030 B2 4/2022 Evans
- D960,015 S \* 8/2022 McManigal ..... D10/106.6
- D969,129 S \* 11/2022 Kayama ..... D14/356

(Continued)

*Primary Examiner* — George D. Kirschbaum

*Assistant Examiner* — Antoinette Martine Suiter

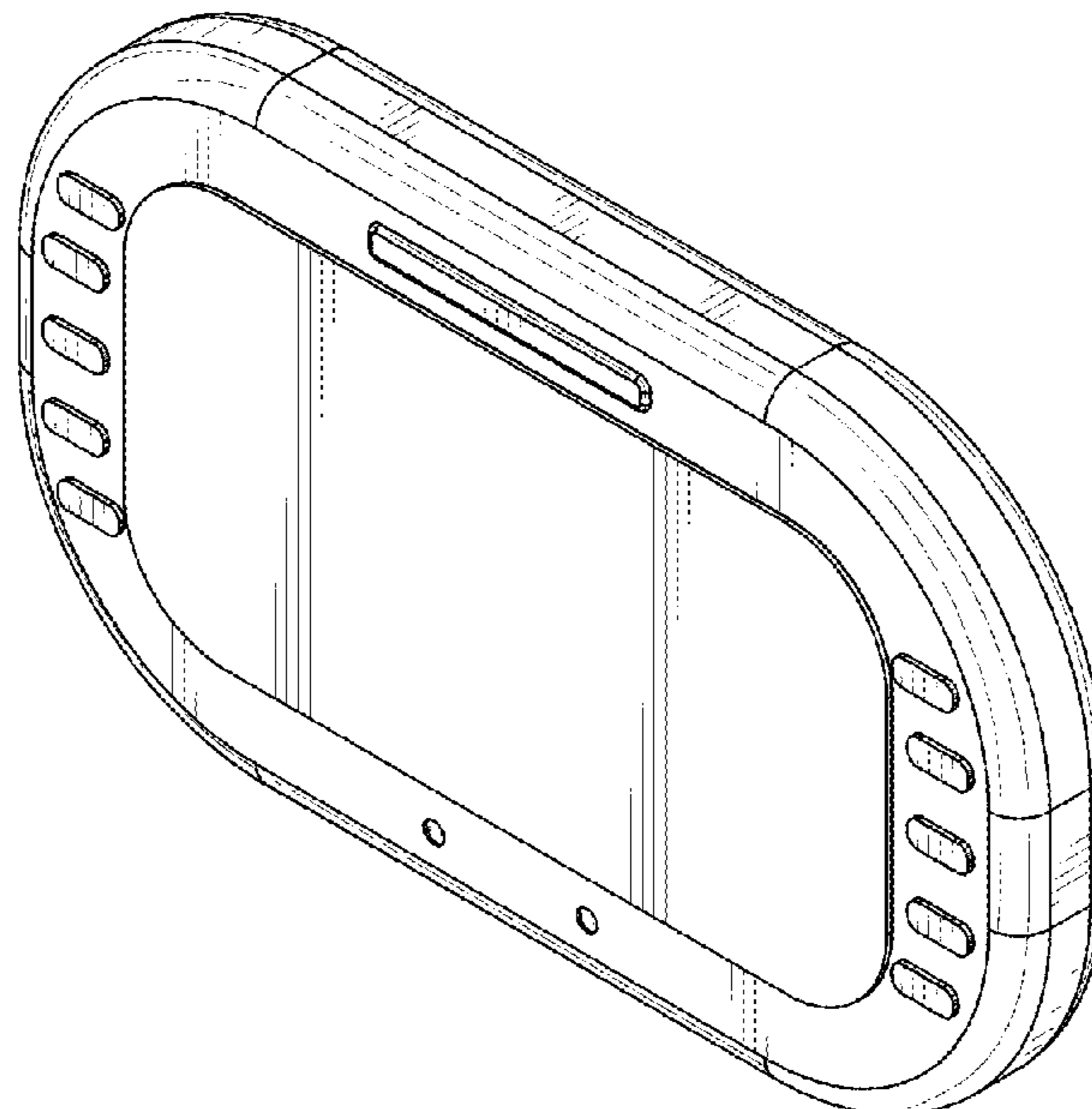
(57) **CLAIM**

The ornamental design for an electronic object locating device, as shown and described.

**DESCRIPTION**

FIG. 1 is a top front perspective view of an electronic object locating device showing my new design;  
FIG. 2 is a bottom rear perspective view thereof;  
FIG. 3 is a front elevational view thereof;  
FIG. 4 is a rear elevational view thereof;  
FIG. 5 is a right elevational view thereof;  
FIG. 6 is a left elevational view thereof;  
FIG. 7 is a top plan view thereof; and,  
FIG. 8 is a bottom plan view thereof.

**1 Claim, 8 Drawing Sheets**



(56)

**References Cited**

U.S. PATENT DOCUMENTS

11,510,035 B2 \* 11/2022 Craig ..... A61B 5/1121  
2014/0073262 A1 3/2014 Gutierrez  
2017/0137987 A1 \* 5/2017 Xu ..... D06F 39/10

\* cited by examiner

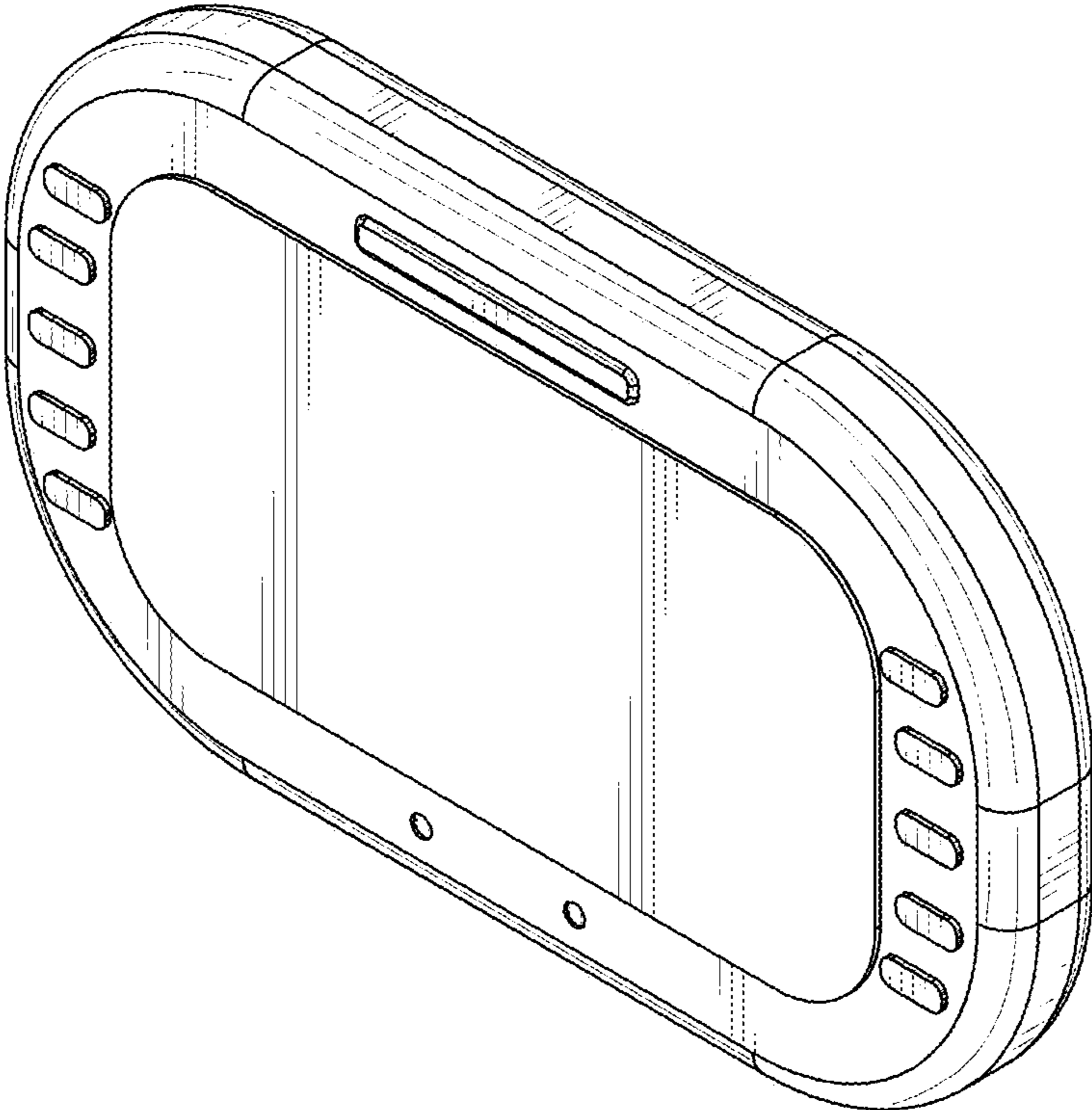


FIG. 1

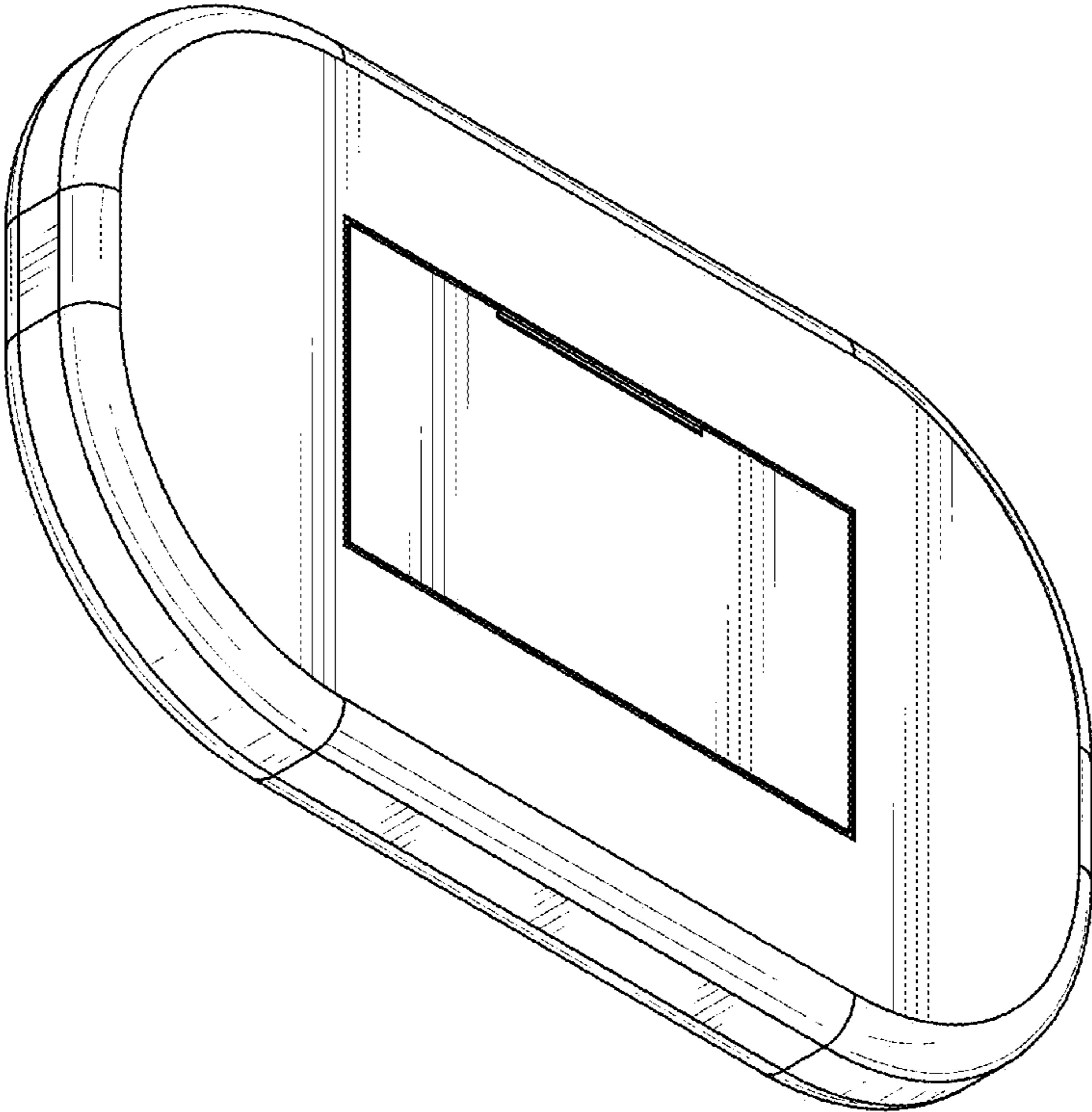


FIG. 2

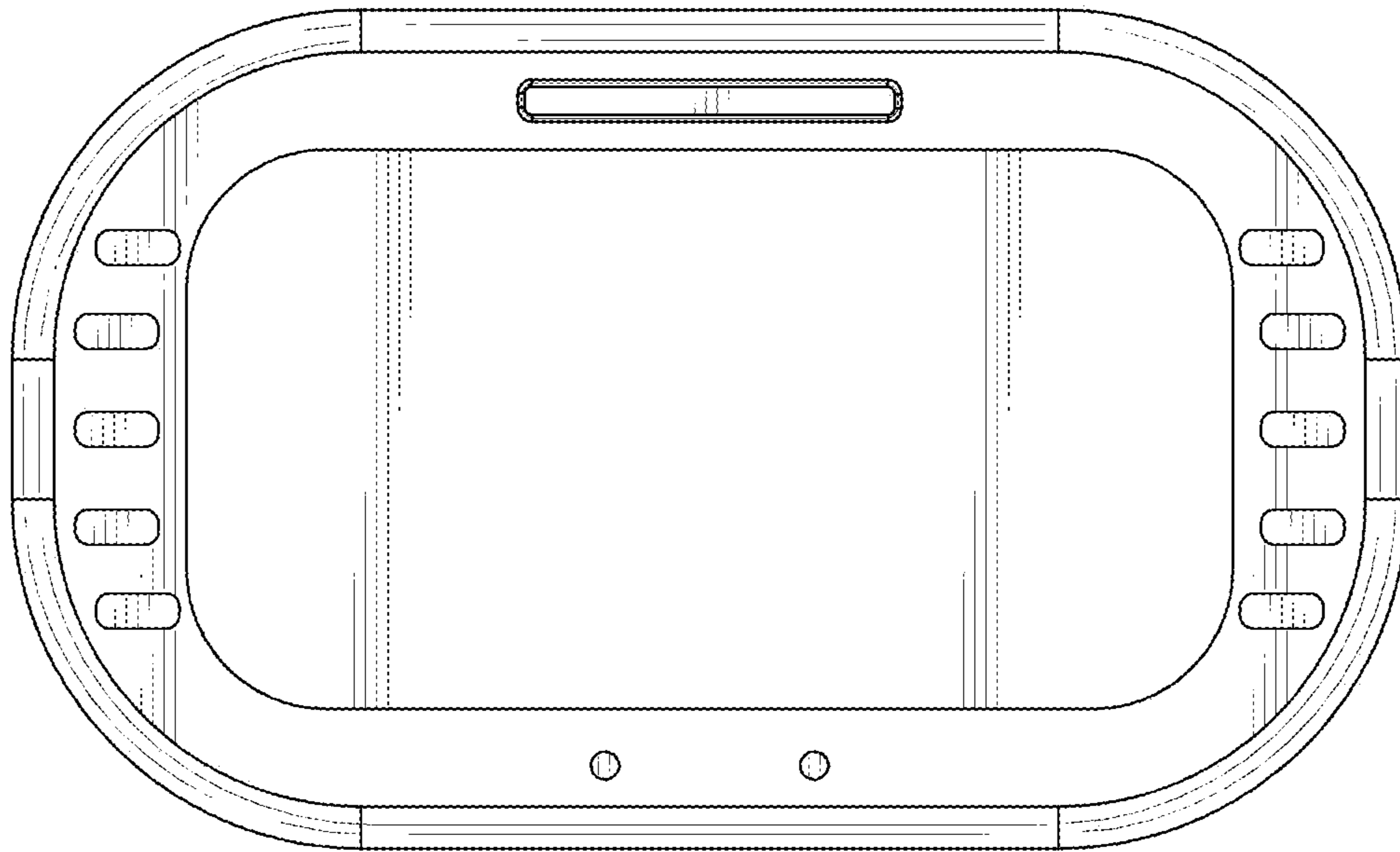


FIG. 3

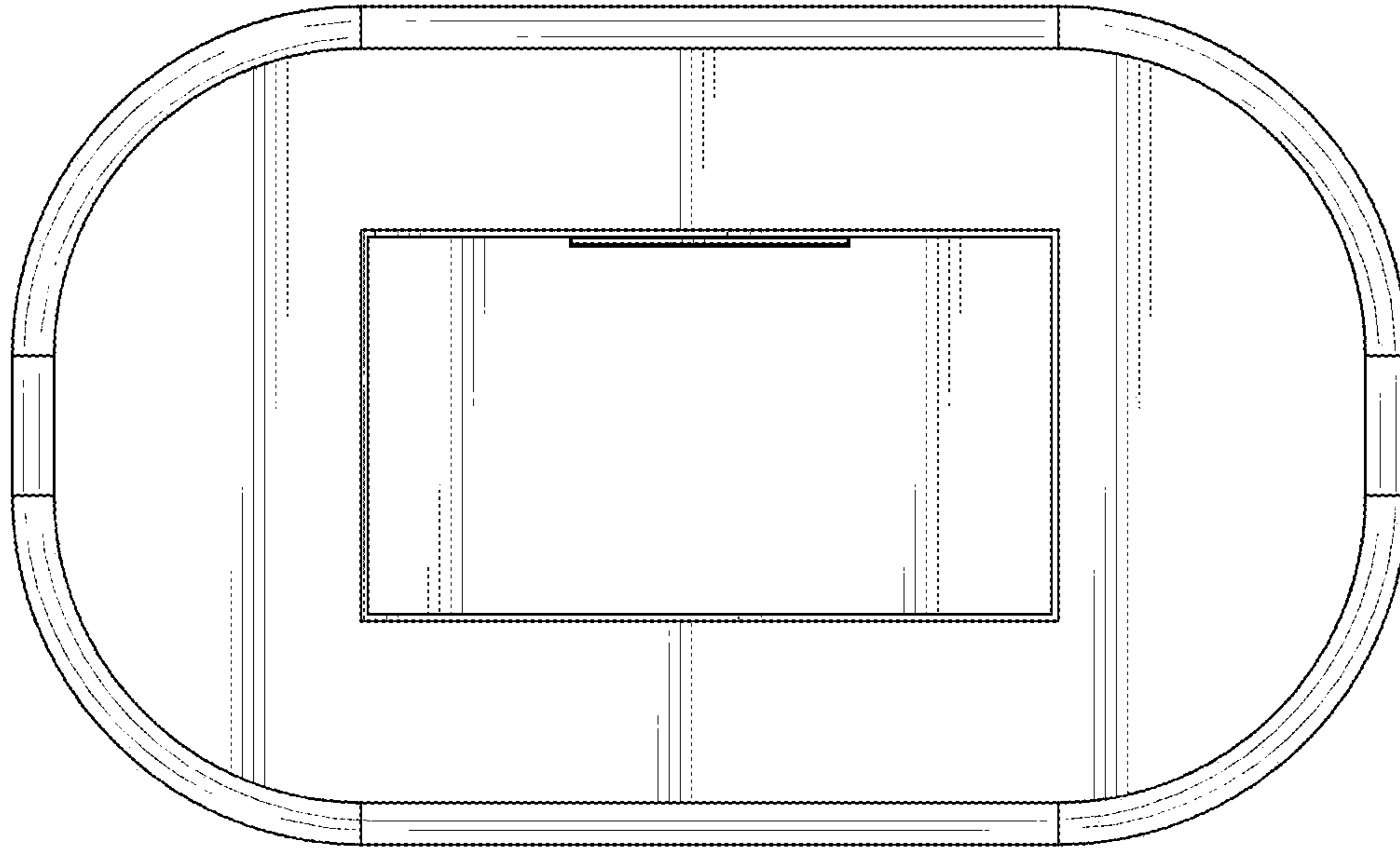


FIG. 4

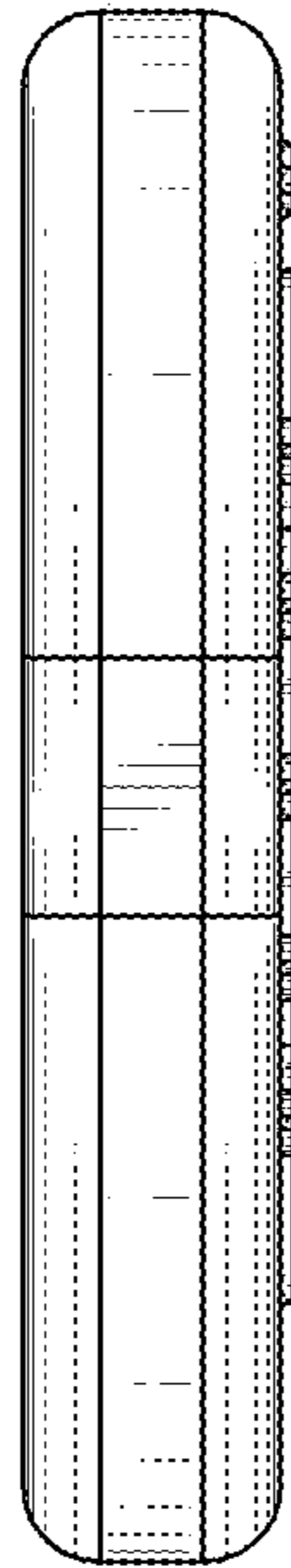


FIG. 5

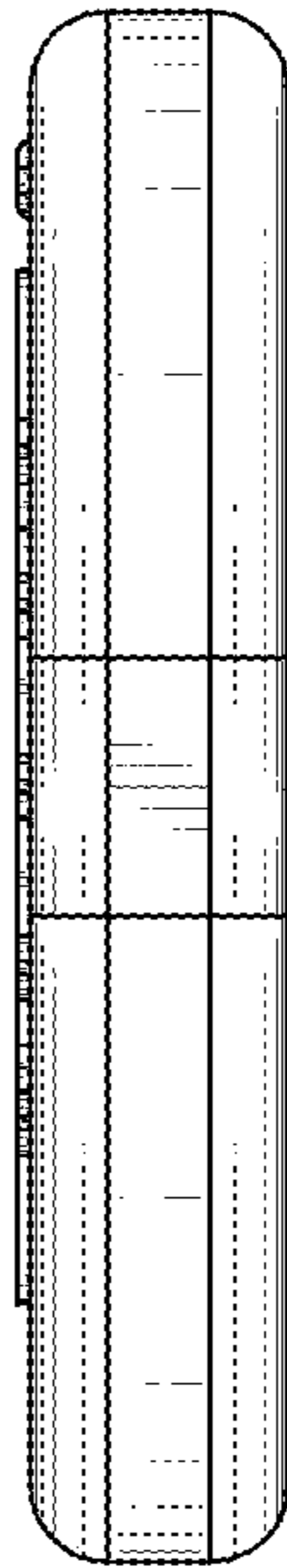


FIG. 6



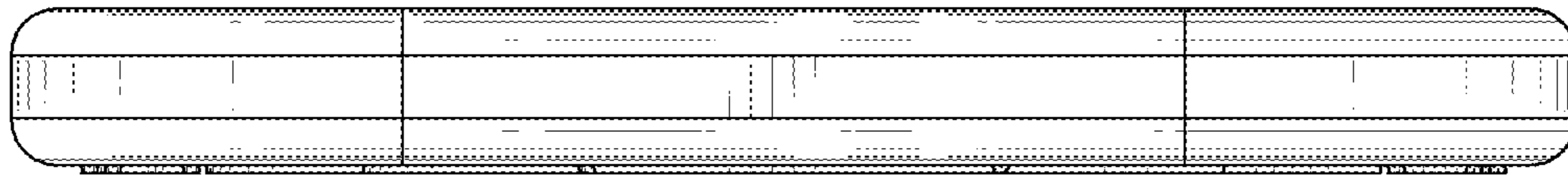


FIG. 7

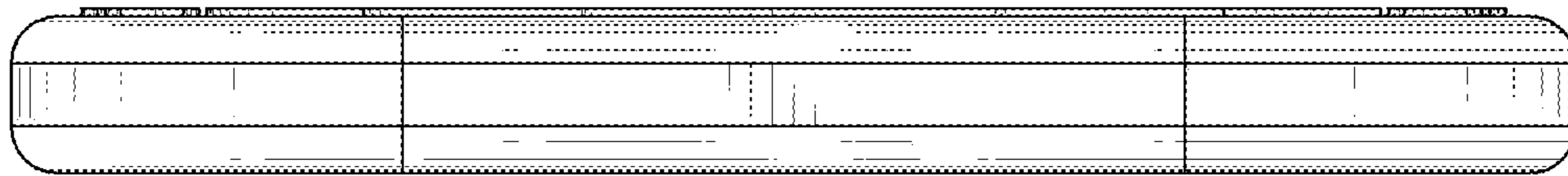


FIG. 8