



US0D1005858S

(12) **United States Design Patent** (10) **Patent No.:** **US D1,005,858 S**
Kuhns (45) **Date of Patent:** **** Nov. 28, 2023**

(54) **COMBINATION CONSTRUCTION LAYOUT AND CONDUIT BENDING TOOL**

D722,513 S * 2/2015 Silberberg D10/69
D722,897 S * 2/2015 Silberberg D10/69
D757,576 S * 5/2016 Jordan D10/64

(Continued)

(71) Applicant: **William Edwin Kuhns**, Crawford, GA (US)

(72) Inventor: **William Edwin Kuhns**, Crawford, GA (US)

(**) Term: **15 Years**

(21) Appl. No.: **29/831,627**

(22) Filed: **Mar. 22, 2022**

(51) **LOC (14) Cl.** **10-04**

(52) **U.S. Cl.**
USPC **D10/62**

(58) **Field of Classification Search**
USPC D10/62, 64, 69, 70, 71; D8/19
CPC B25H 1/0085; E04F 21/1877; G01C 9/00;
G01C 9/24
See application file for complete search history.

(56) **References Cited**

U.S. PATENT DOCUMENTS

- 4,394,799 A * 7/1983 Moree G01C 9/28
33/351
- 4,589,213 A * 5/1986 Woodward G01C 9/00
33/343
- 5,154,000 A * 10/1992 Mahoney G01C 9/12
33/343
- D332,754 S * 1/1993 Weldy D10/69
- D409,100 S * 5/1999 Brimer D10/69
- D498,686 S * 11/2004 Levinson D10/69
- 6,839,973 B1 * 1/2005 Woodward G01C 9/28
33/343
- D529,826 S * 10/2006 Jordan D10/62
- D539,679 S * 4/2007 Silberberg D10/69
- D547,148 S * 7/2007 Jordan D8/19
- D597,871 S * 8/2009 Liao D10/69
- D694,136 S * 11/2013 Silberberg D10/69
- 8,646,186 B2 * 2/2014 Lettkeman G01C 9/24
33/379
- D722,511 S * 2/2015 Silberberg D10/69

OTHER PUBLICATIONS

Southwire, McBlevel, Conduit Bending Level 6" description page, downloaded from: <<https://www.southwire.com/tools-equipment/welding-tools-pipe-fitting-products/mcblevel-conduit-bending-level-6-/p/p-58281640>> on Apr. 25, 2022, 1 page.

Primary Examiner — George D. Kirschbaum

Assistant Examiner — Lillian Windham

(74) *Attorney, Agent, or Firm* — Mitch Harris, Atty at Law, LLC; Andrew M. Harris

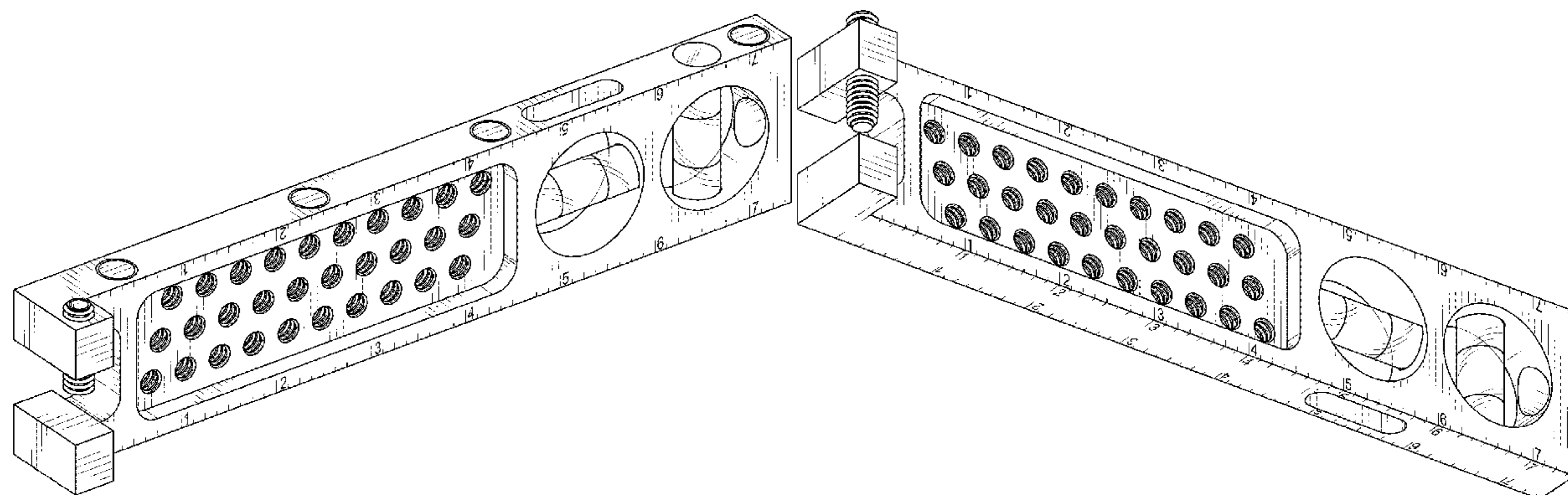
(57) **CLAIM**

The ornamental design for a combination construction layout and conduit bending tool, as shown and described.

DESCRIPTION

FIG. 1 is an upper front-left perspective view of the combination construction layout and conduit bending tool. FIG. 2 is a front view of the combination construction layout and conduit bending tool. FIG. 3 is a rear view of the combination construction layout and conduit bending tool. FIG. 4 is a left side view of the combination construction layout and conduit bending tool. FIG. 5 is a right side view of the combination construction layout and conduit bending tool. FIG. 6 is a top view of the combination construction layout and conduit bending tool. FIG. 7 is a bottom view of the combination construction layout and conduit bending tool; and, FIG. 8 is a lower front-left perspective of the combination construction layout and conduit bending tool.

1 Claim, 8 Drawing Sheets



(56)

References Cited

U.S. PATENT DOCUMENTS

9,360,315 B2 *	6/2016	Silberberg	G01C 9/28
D811,907 S *	3/2018	McLaughlin	D10/69
D896,110 S *	9/2020	Vera	D10/69
2008/0301957 A1 *	12/2008	Vernola	G01C 9/28
			138/178

* cited by examiner

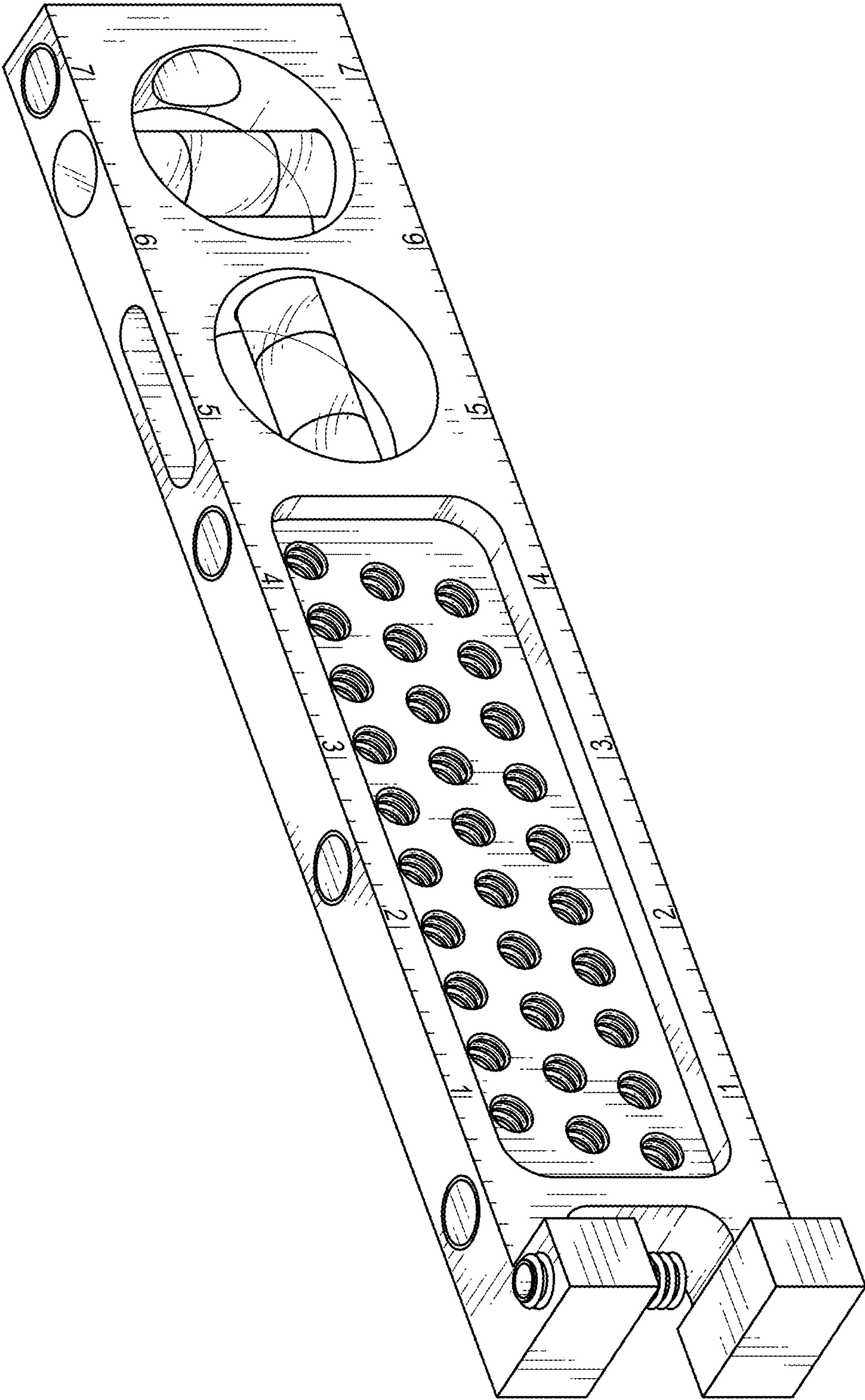


FIG. 1

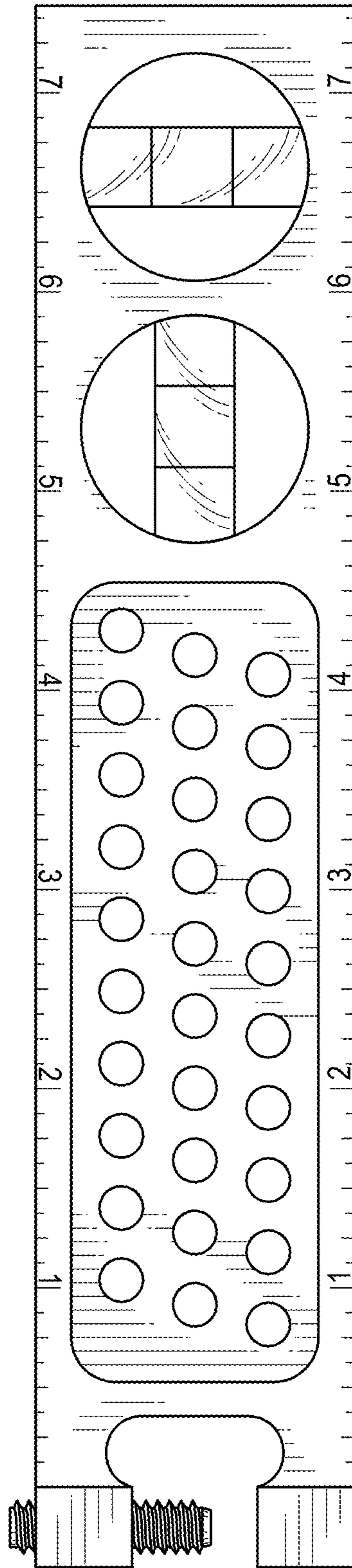


FIG. 2

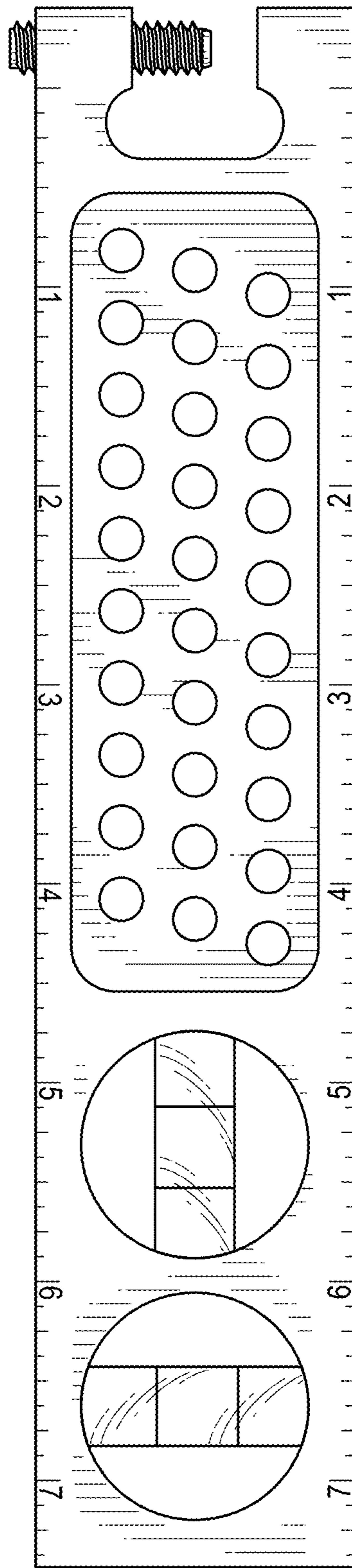


FIG. 3

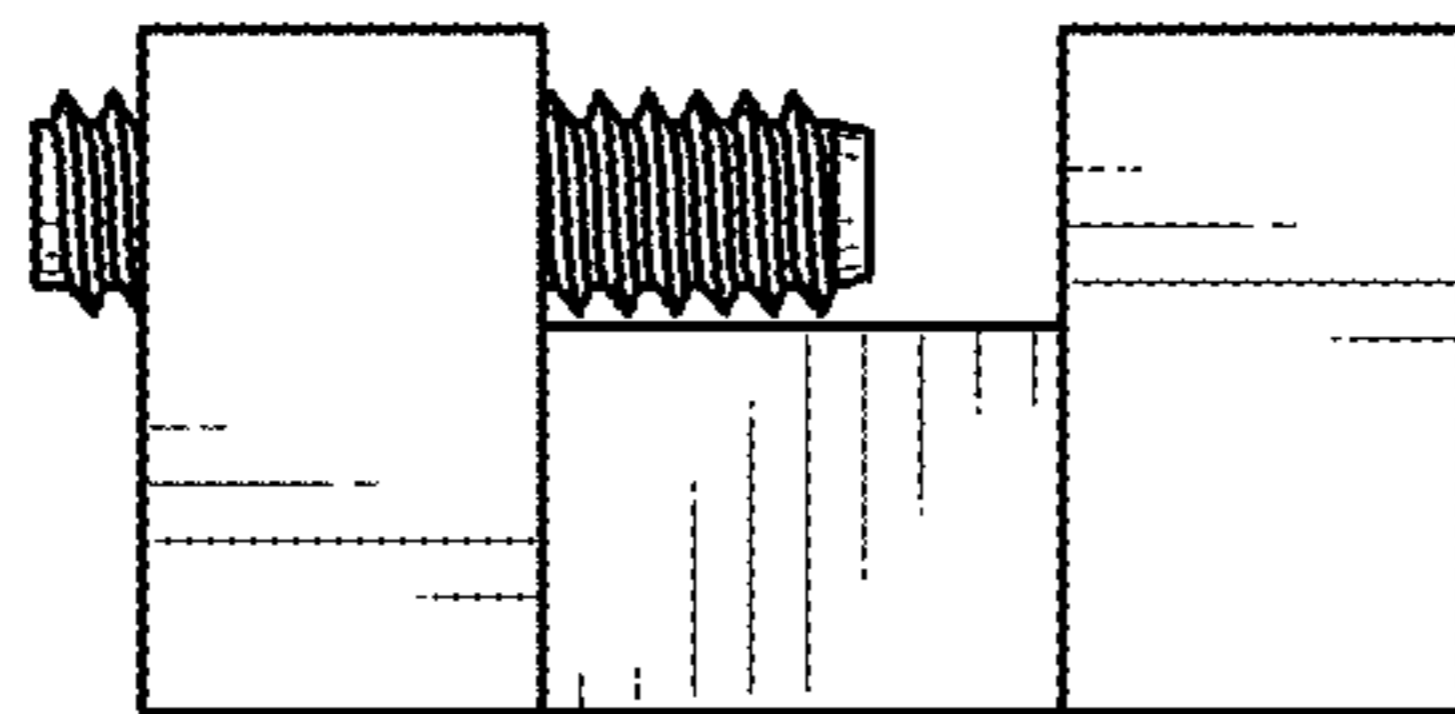


FIG. 4

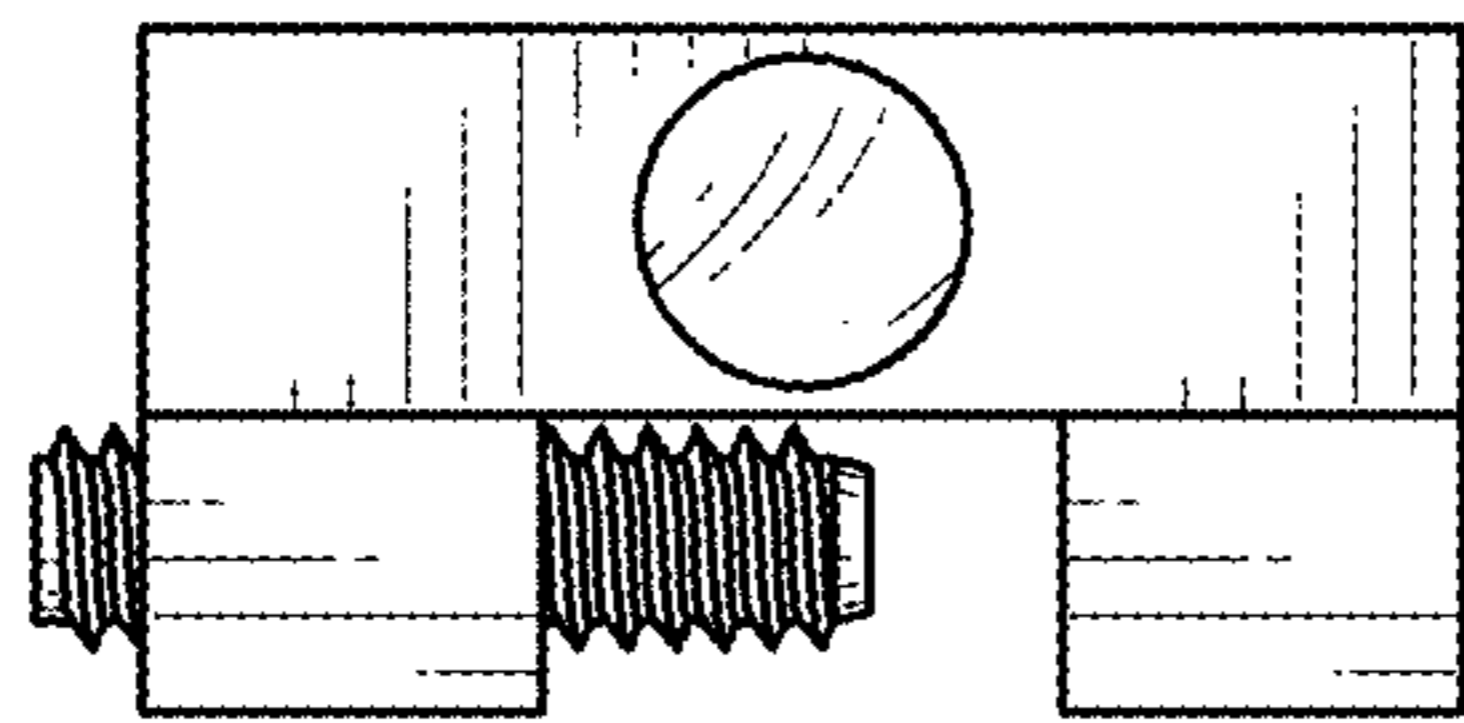


FIG. 5

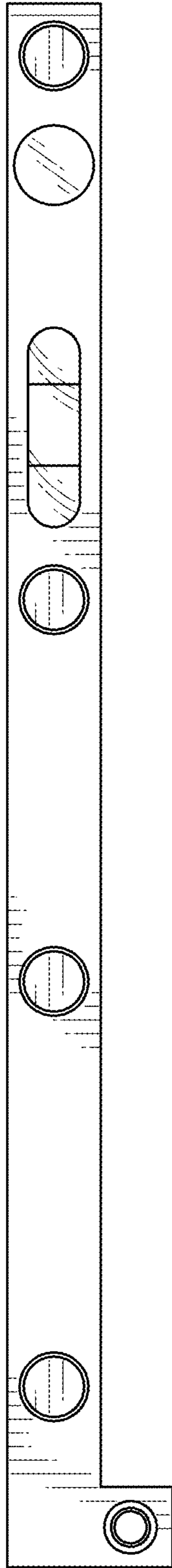


FIG. 6

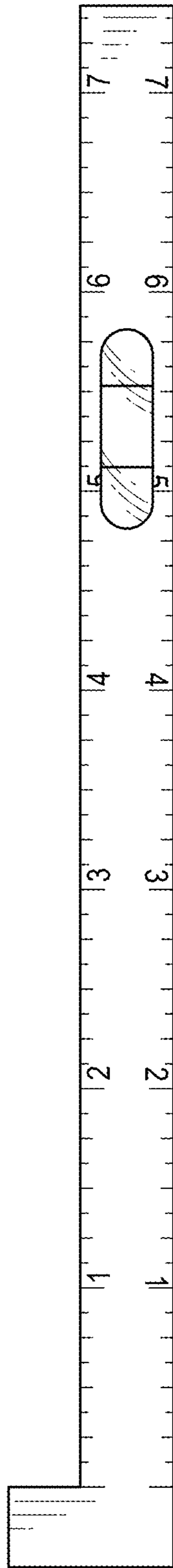


FIG. 7

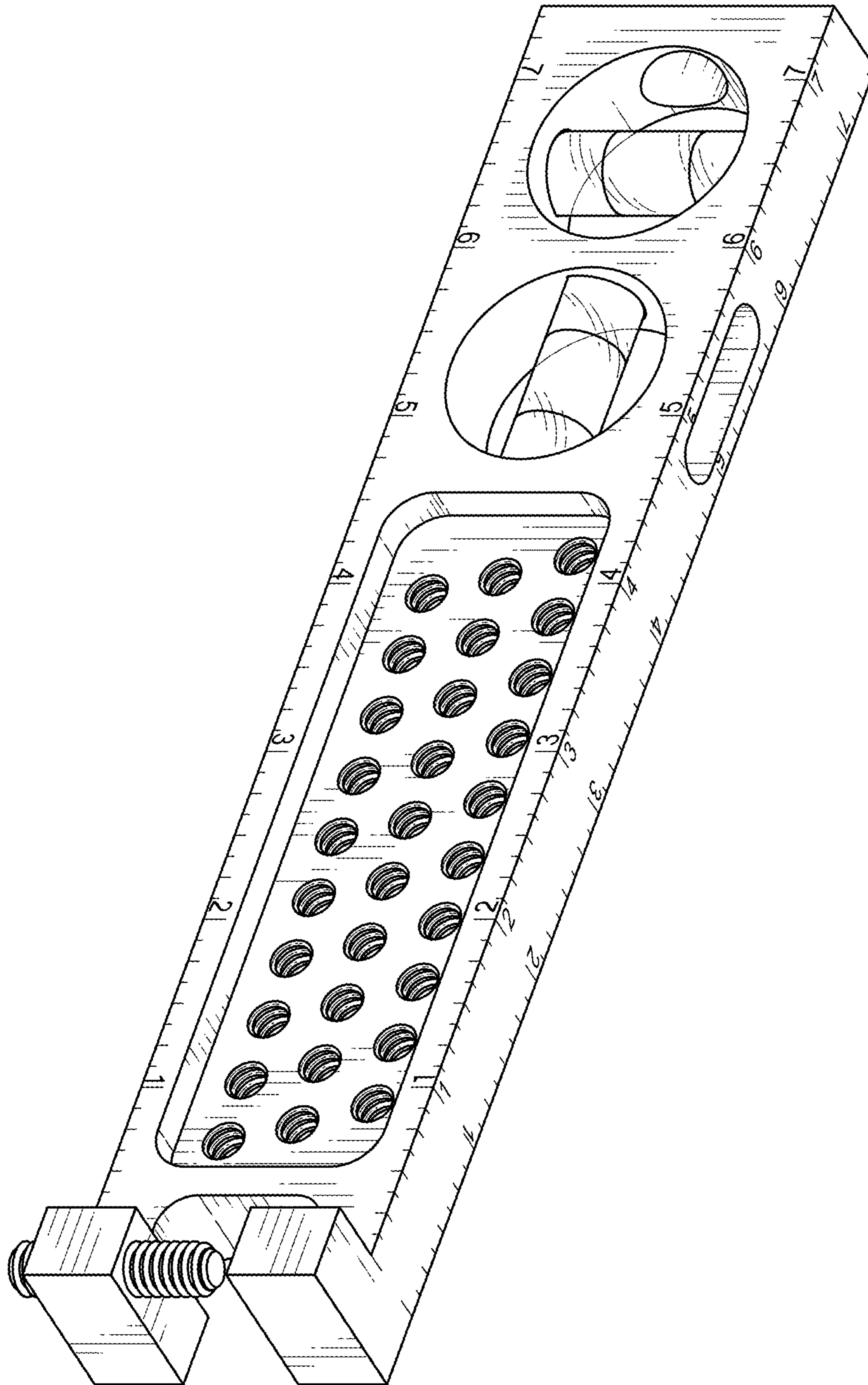


FIG. 8