



US0D1005724S

(12) **United States Design Patent** (10) **Patent No.:** **US D1,005,724 S**
Adams (45) **Date of Patent:** **** Nov. 28, 2023**

(54) **PLATFORM BABY BED**
(71) Applicant: **Thaneekqua Lashawn Adams**, Bronx, NY (US)
(72) Inventor: **Thaneekqua Lashawn Adams**, Bronx, NY (US)
(**) Term: **15 Years**
(21) Appl. No.: **29/781,333**
(22) Filed: **Apr. 29, 2021**
(51) **LOC (14) Cl.** **06-02**
(52) **U.S. Cl.**
USPC **D6/390**
(58) **Field of Classification Search**
USPC D6/390, 382-384, 393, 394, 718.13, D6/718.21, 718.25
CPC ... A47D 5/00; A47D 7/00; A47D 7/02; A47D 7/005; A47D 7/002; A47D 7/01; A47D 9/00; A47D 9/005; A47D 9/02; A47D 13/08; A47D 15/008
See application file for complete search history.

KR 301136080.0000 * 11/2021
KR 301176890.0000 * 8/2022
KR 301190829.0000 * 11/2022

OTHER PUBLICATIONS

Giantex Canopy Bed with Trundle, posted Jul. 8, 2022 [online], [retrieved Feb. 22, 2023]. Retrieved from internet, <https://www.amazon.com/Giantex-Canopy-Trundle-Platform-Headboard/dp/B0B643J8CV> (Year: 2022).*
Lsbod Bed Rail for Toddlers, posted unknown [online], [retrieved Feb. 22, 2023]. Retrieved from internet, <https://www.amazon.com/Toddlers-Bedrail-Pattern-Guardrail-Y-Strap/dp/B08BNC6JQN> (Year: 2023).*

(Continued)

Primary Examiner — Cynthia Ramirez
Assistant Examiner — Jeremy S. Swartz

(57) **CLAIM**

The ornamental design for a platform baby bed, as shown and described.

(56) **References Cited**

U.S. PATENT DOCUMENTS

D263,659 S * 4/1982 Cohen 5/915
D393,378 S * 4/1998 Hutton D6/393
D417,973 S * 12/1999 Lacroix D6/393
D475,863 S * 6/2003 Berry D6/393
D830,717 S * 10/2018 Tsukii D6/388
D845,022 S * 4/2019 Birch D6/393
D948,885 S * 4/2022 Meneghello D6/393
D955,148 S * 6/2022 Lim D6/718.13
D972,854 S * 12/2022 Belov D6/393

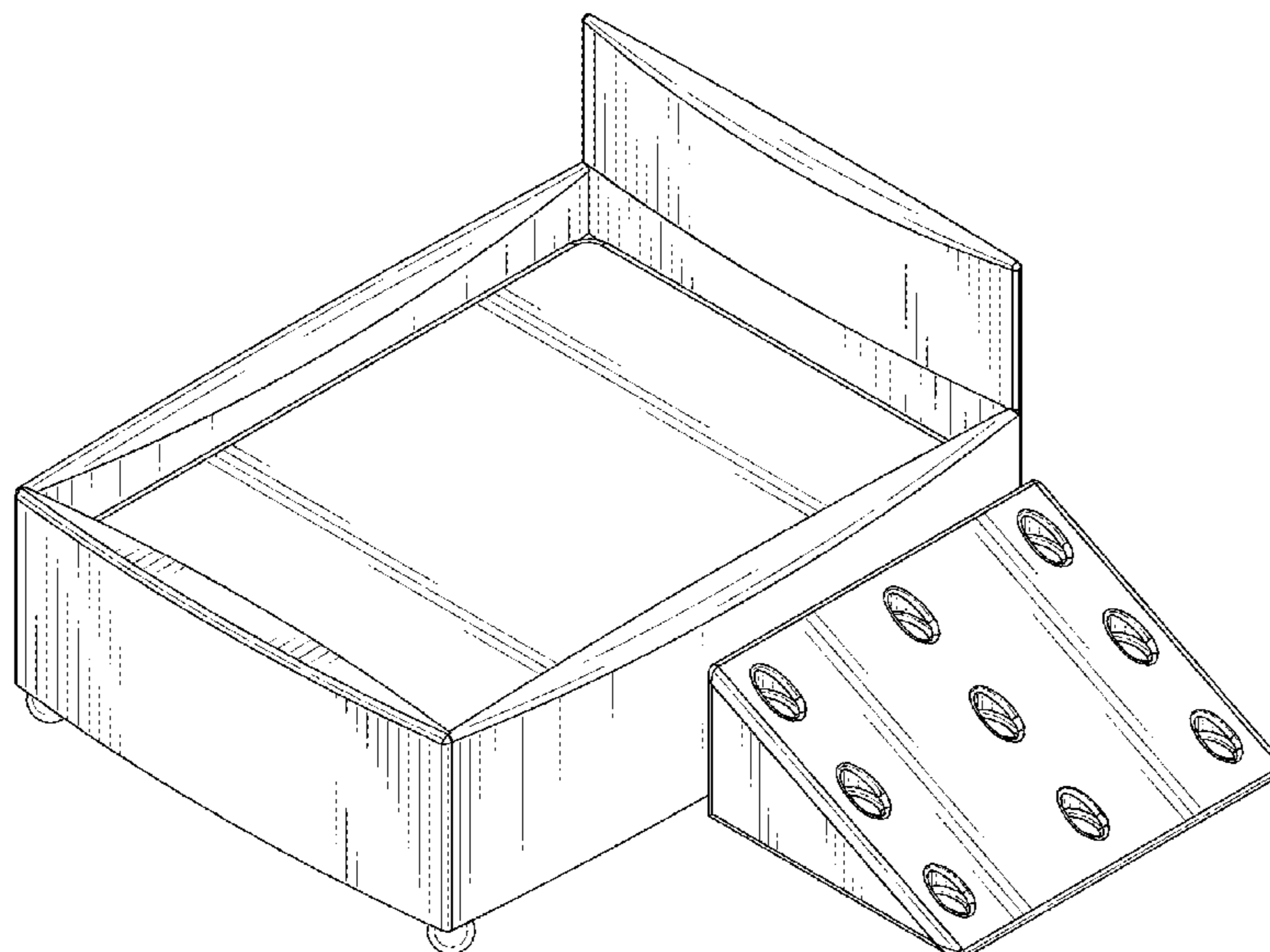
FOREIGN PATENT DOCUMENTS

CN 304669057 * 6/2018
EP 1878364 B1 9/2008
KR 20200009787 A 1/2020

DESCRIPTION

FIG. 1 is a top-front-right perspective view of a platform baby bed;
FIG. 2 is a bottom-front-left perspective view thereof;
FIG. 3 is a top-front-left perspective view thereof;
FIG. 4 is a bottom-front-right perspective view thereof;
FIG. 5 is a front view thereof;
FIG. 6 is a rear view thereof;
FIG. 7 is a right-side view thereof;
FIG. 8 is a left-side view thereof;
FIG. 9 is a top view thereof; and,
FIG. 10 is a bottom view thereof.

1 Claim, 10 Drawing Sheets



(56)

References Cited

OTHER PUBLICATIONS

Dream On Me Sydney Toddler Bed, posted unknown [online], [retrieved Feb. 22, 2023]. Retrieved from internet, <https://www.amazon.com/Dream-Me-Sydney-Toddler-Steel/dp/B0785LVVCY> (Year: 2023).*

Delta Children MySize Wood Toddler Bed, <https://www.target.com/p/delta-children-mysize-wood-toddler-bed-bianca-white/-/A-79639400>.

Toddler Disney Minnie Mouse Interactive Wood Bed—Delta Children, <https://www.target.com/p/toddler-disney-minnie-mouse-interactive-wood-bed-delta-children/-/A-79694564>.

Nick Jr. Paw Patrol Plastic Sleep and Play Toddler Bed by Delta Children, <https://www.walmart.com/ip/Nick-Jr-PAW-Patrol-Plastic-Sleep-and-Play-Toddler-Bed-by-Delta-Children/720933168>.

* cited by examiner

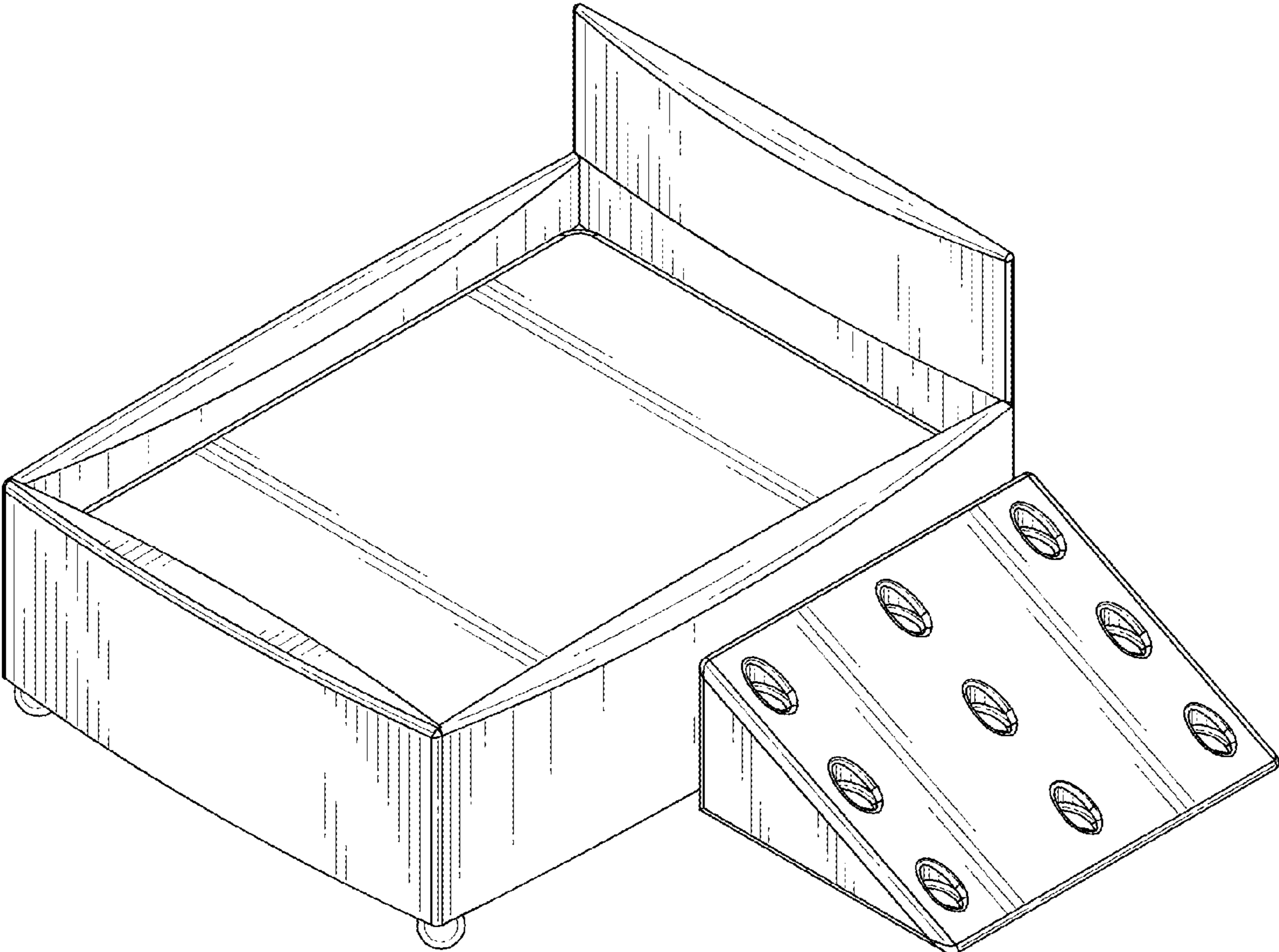


FIG. 1

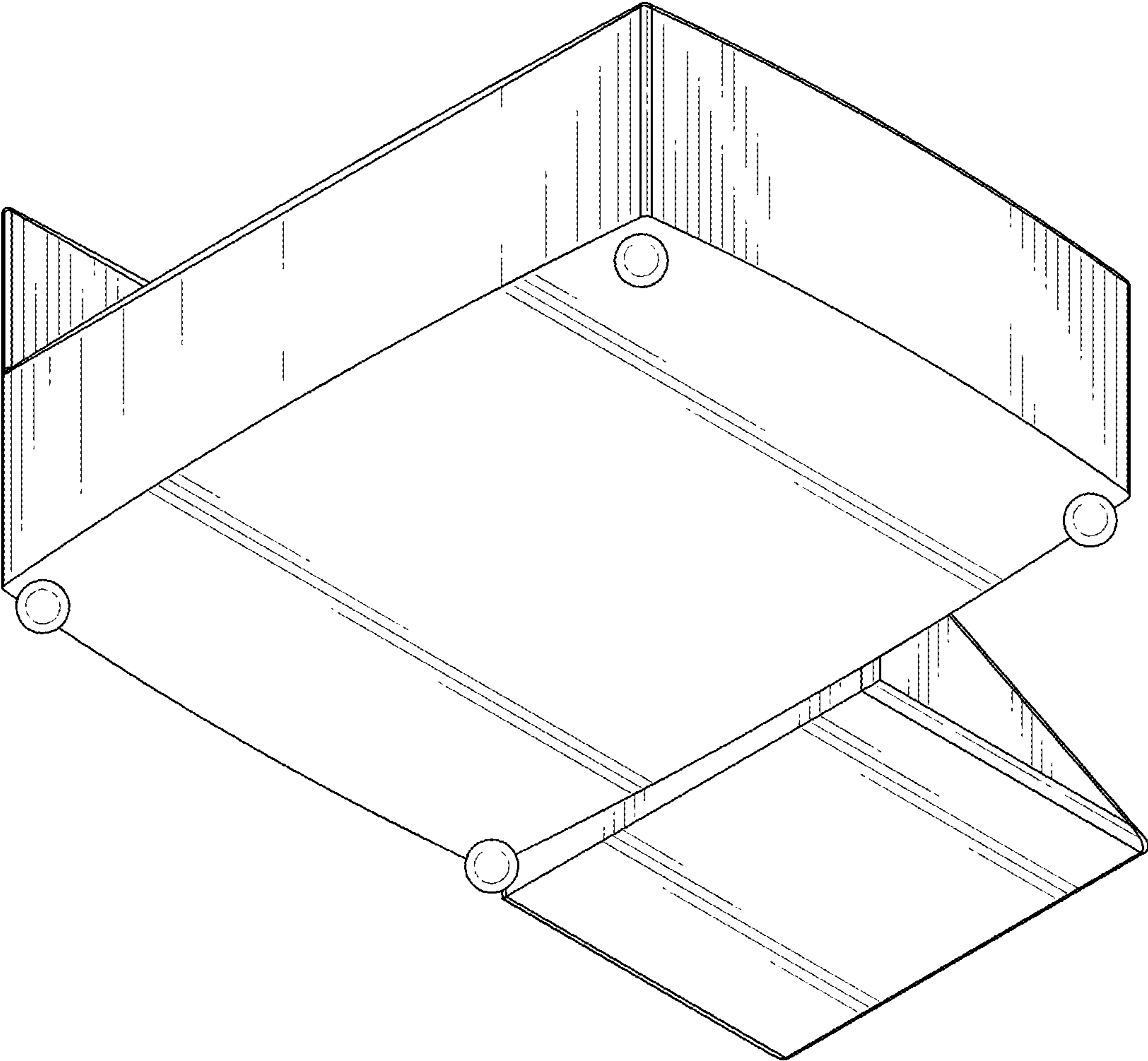


FIG. 2

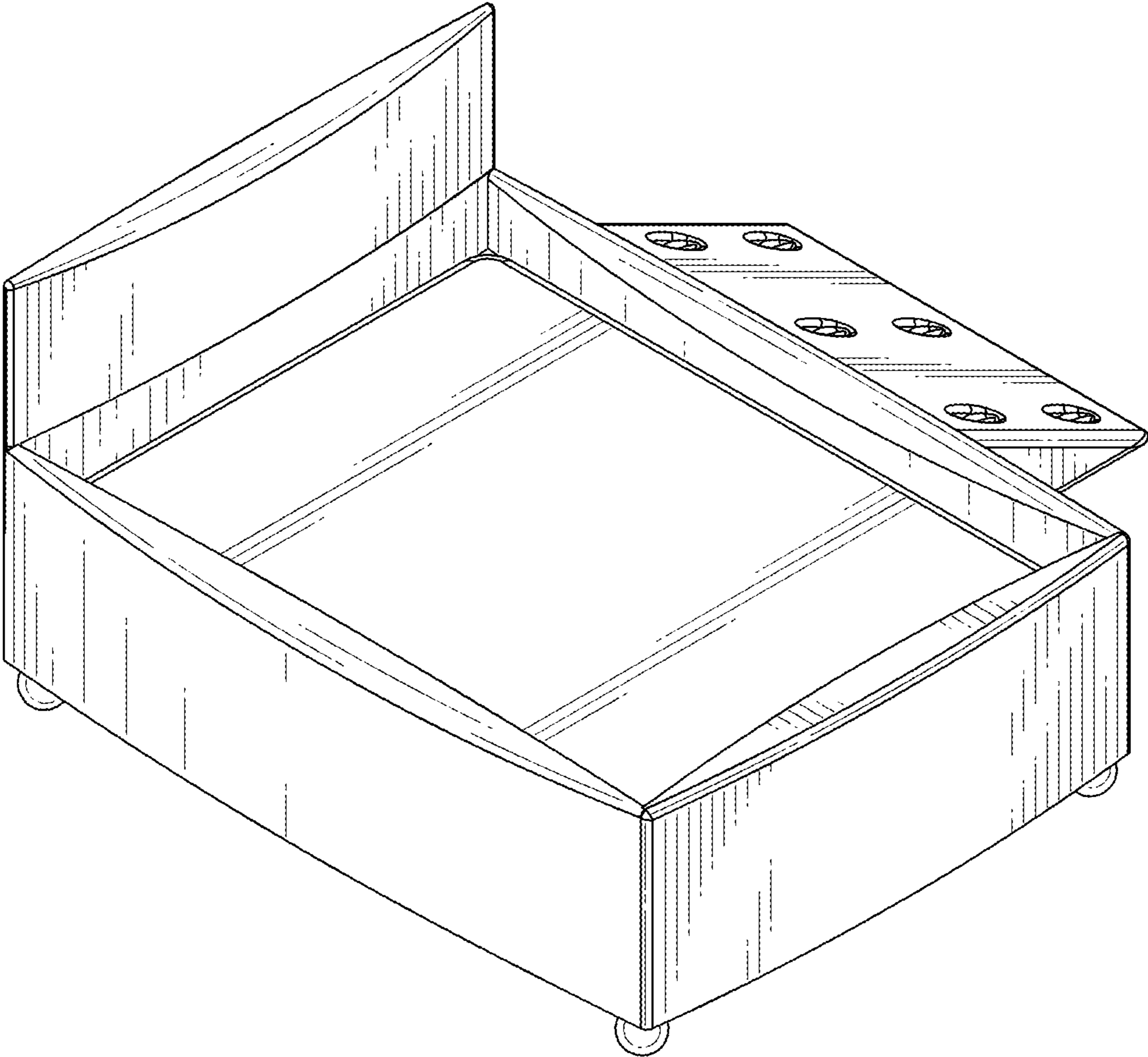


FIG. 3

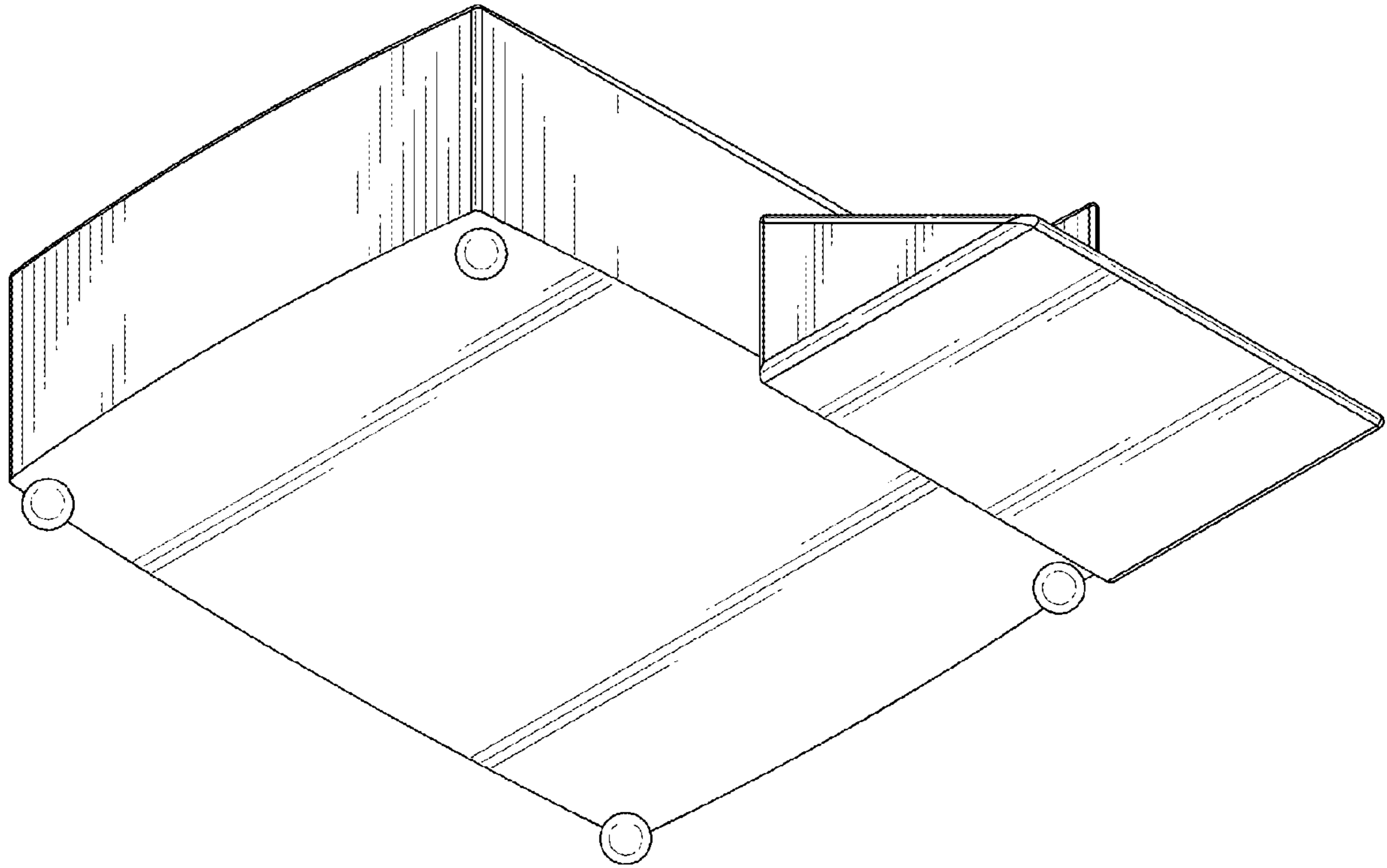


FIG. 4

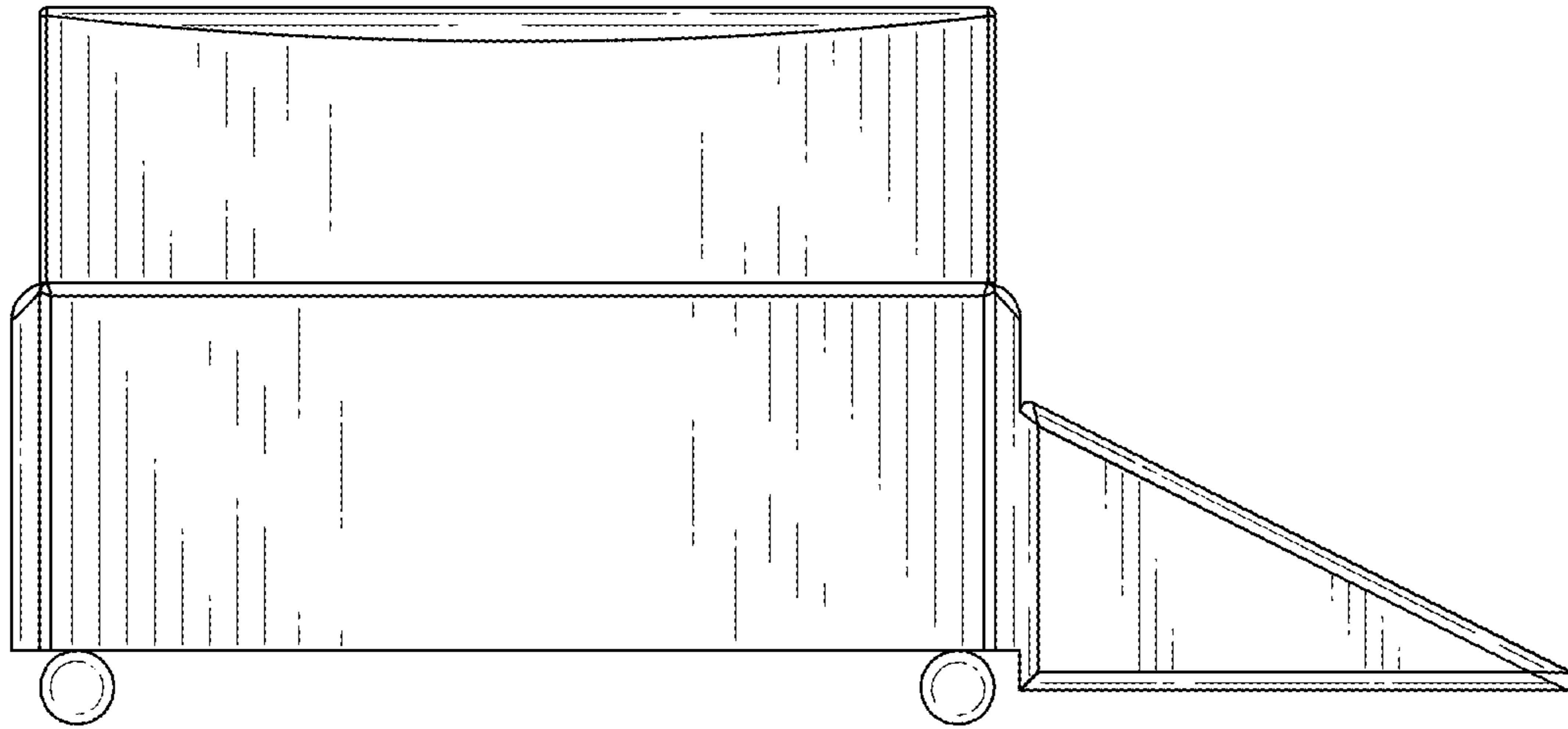


FIG. 5

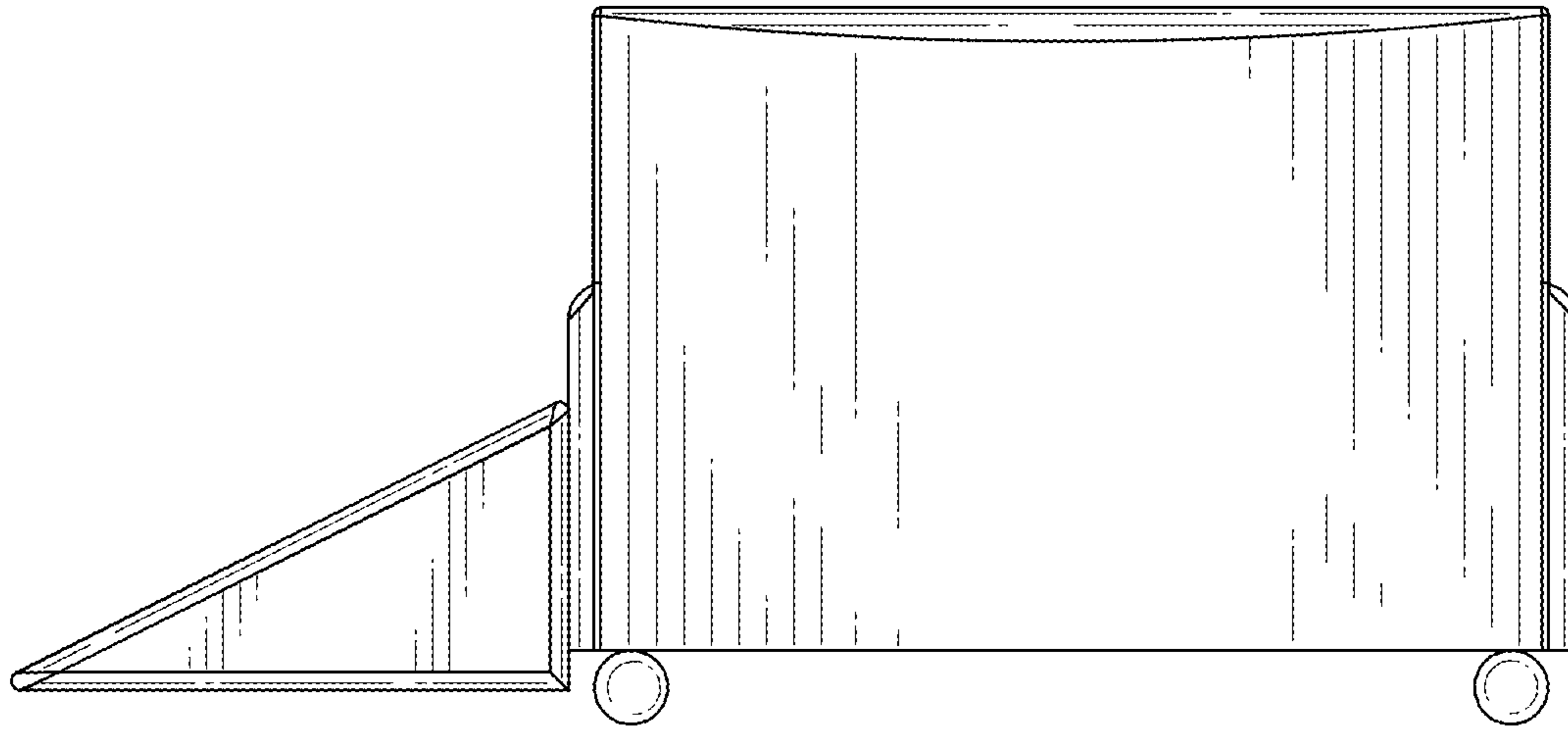


FIG. 6

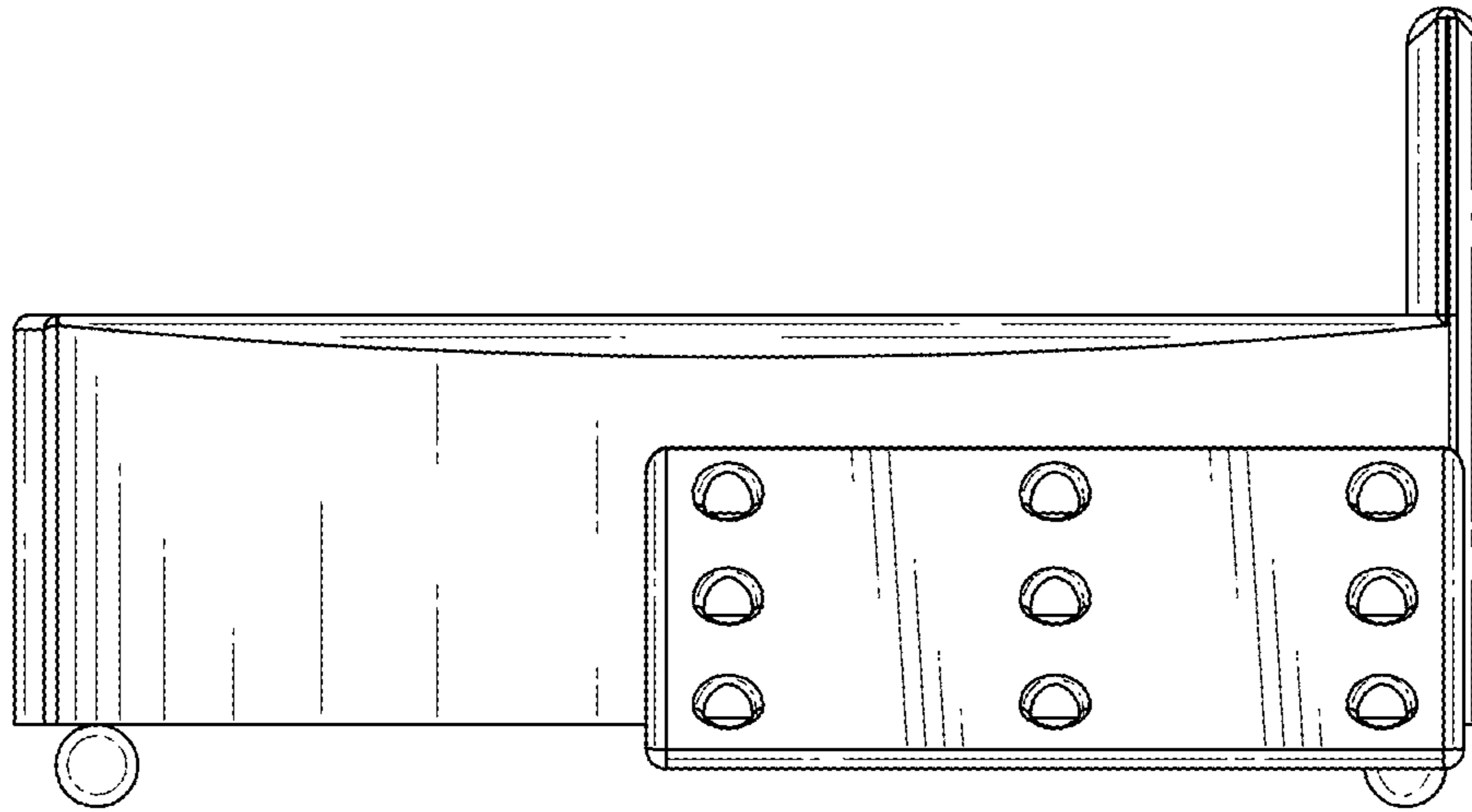


FIG. 7

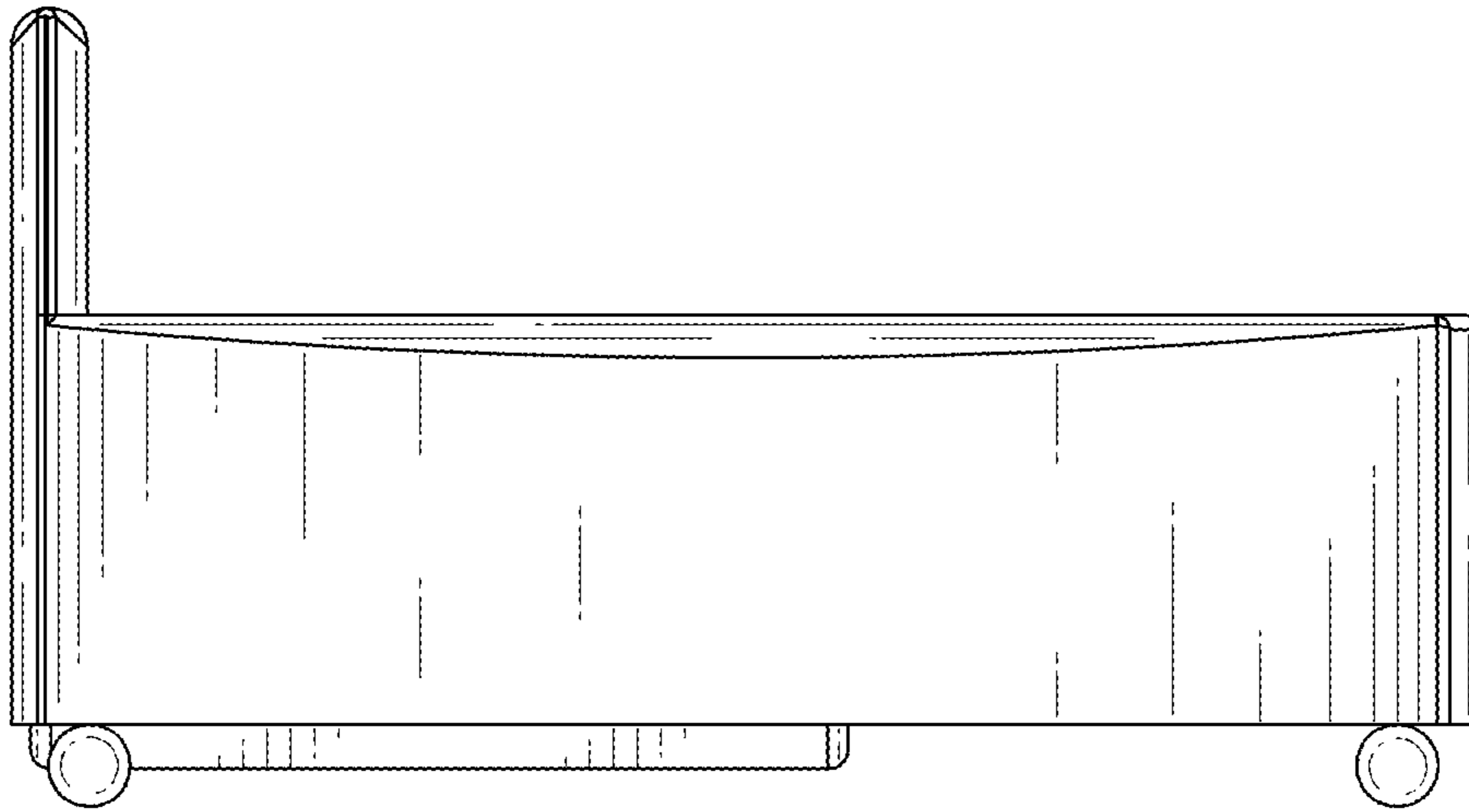


FIG. 8

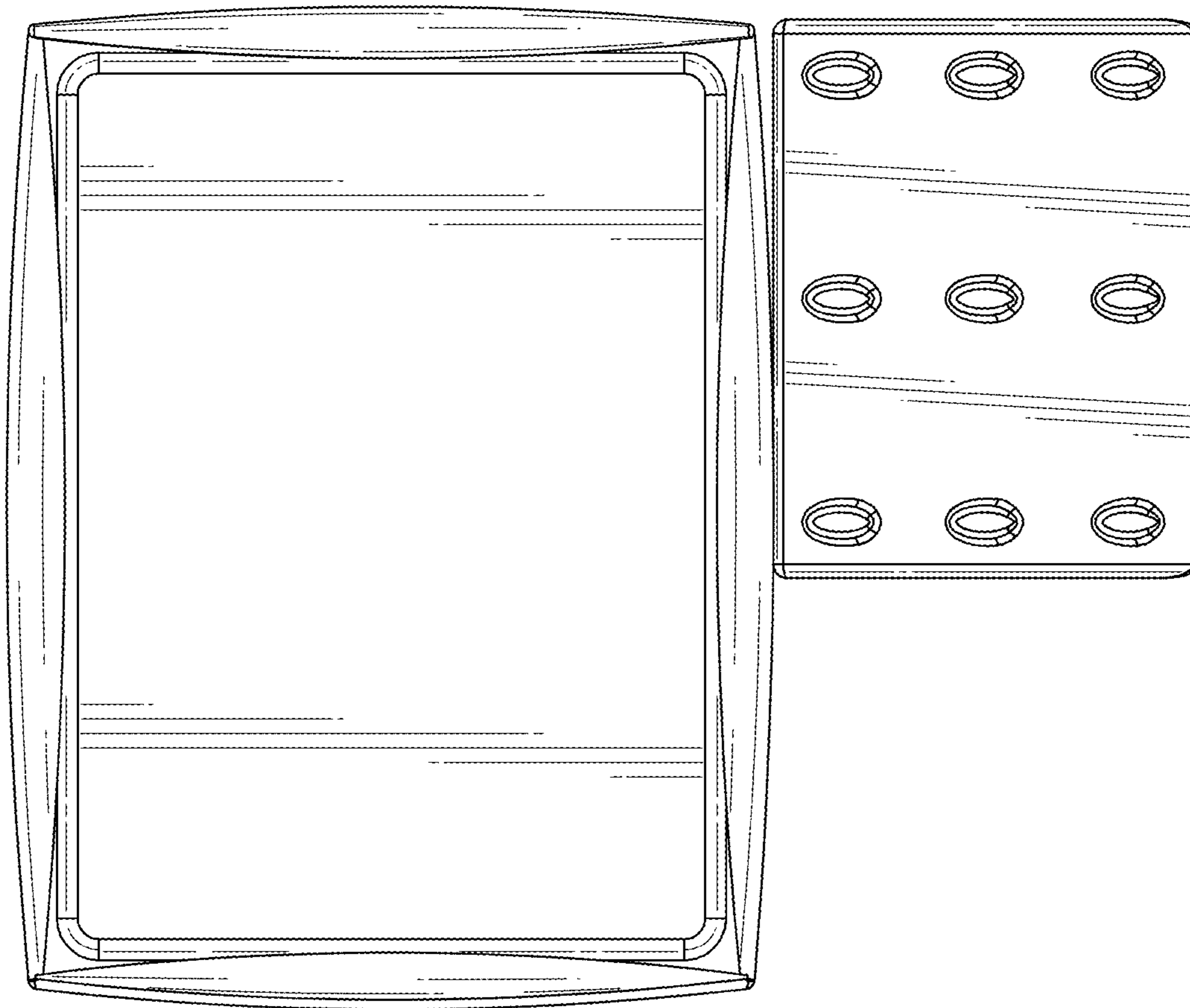


FIG. 9

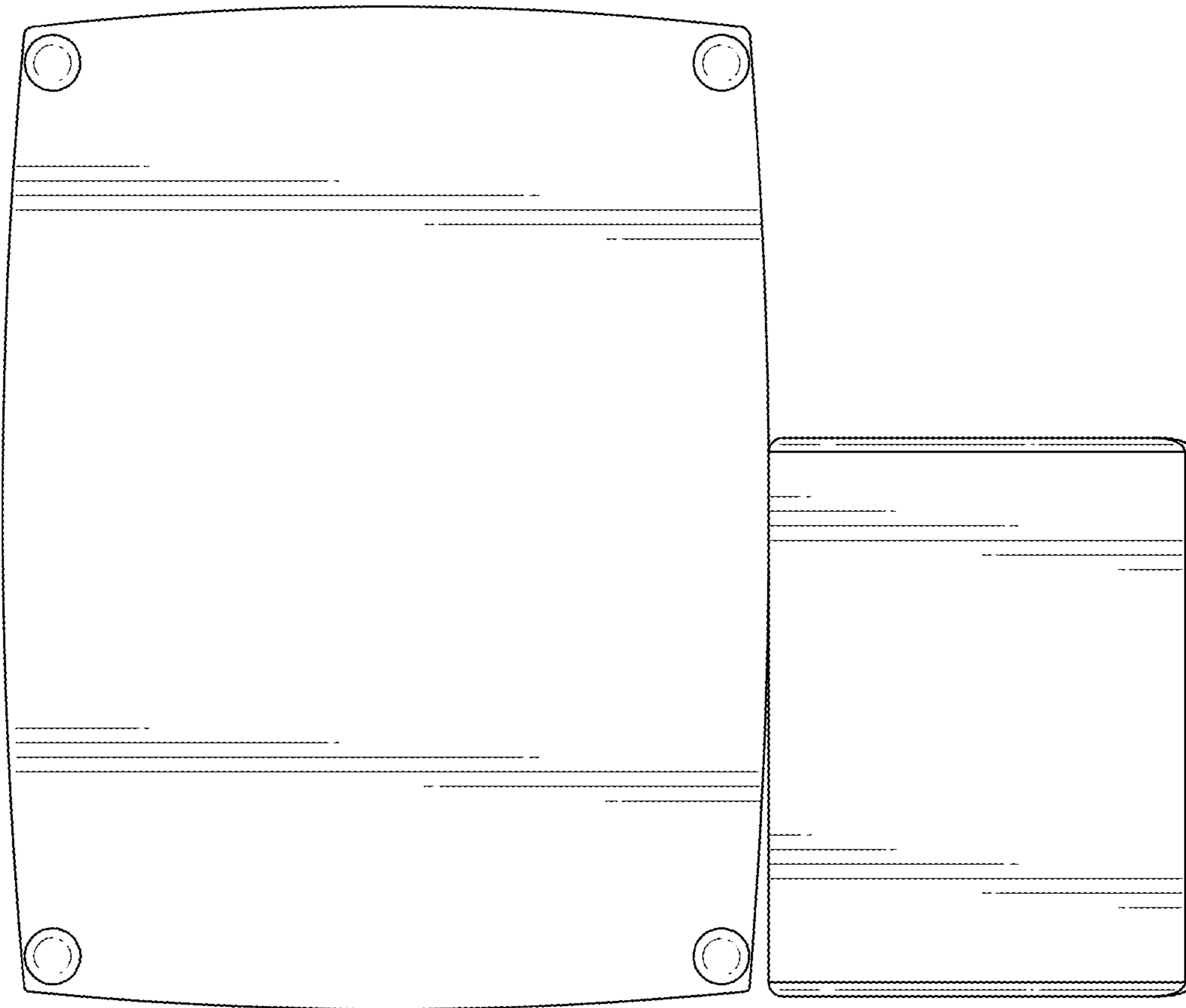


FIG. 10