



US0D1005721S

(12) **United States Design Patent** (10) **Patent No.:** **US D1,005,721 S**  
**Yu** (45) **Date of Patent:** **\*\* Nov. 28, 2023**

(54) **CHAIR**

(71) Applicant: **Jialun Yu**, Jiaxing (CN)

(72) Inventor: **Jialun Yu**, Jiaxing (CN)

(\*\*) Term: **15 Years**

(21) Appl. No.: **29/889,282**

(22) Filed: **Apr. 11, 2023**

(51) **LOC (14) Cl.** ..... **06-01**

(52) **U.S. Cl.**  
USPC ..... **D6/380**

(58) **Field of Classification Search**  
USPC ..... D6/334, 358, 360, 364, 365, 367, 370,  
D6/371, 372, 374, 375, 376, 379, 380  
CPC .... A47C 1/00; A47C 3/00; A47C 3/04; A47C  
3/12; A47C 3/18; A47C 3/20; A47C 3/22;  
A47C 3/30; A47C 9/00; A47C 9/007  
See application file for complete search history.

(56) **References Cited**

**U.S. PATENT DOCUMENTS**

- D81,271 S \* 6/1930 Clemence ..... D6/379
- 3,594,041 A \* 7/1971 Rye ..... A47C 5/10  
297/451.3
- D245,819 S \* 9/1977 Tillberg ..... D6/334
- D245,955 S \* 10/1977 Amey ..... D6/380
- D246,210 S \* 11/1977 Amey ..... D6/379
- D260,950 S \* 9/1981 Aulenti ..... D6/379
- 4,522,444 A \* 6/1985 Pollock ..... A47C 3/021  
297/440.11
- D600,465 S 9/2009 Kumazawa
- D606,771 S 12/2009 Chadwick
- D609,487 S 2/2010 Kumazawa
- D617,568 S 6/2010 Kumazawa
- D623,427 S 9/2010 Parson
- 7,806,473 B1 \* 10/2010 Faiks ..... A47C 3/04  
297/440.11
- D648,157 S 11/2011 McCurry

- D654,717 S 2/2012 Kitagawara
- D668,895 S 10/2012 Kitagawara
- D671,761 S 12/2012 Risdall
- D675,843 S 2/2013 Kumazawa
- D698,170 S \* 1/2014 Caldwell ..... D6/370
- D810,457 S \* 2/2018 Natuzzi ..... D6/379

**OTHER PUBLICATIONS**

Armless Accent Chair, available in amazon.com, date first available of Jan. 22, 2022, site visited on Jun. 14, 2023, URL:https://www.amazon.com/Armless-Slipper-Upholstered-Anti-Scratch-Reading/dp/B09QYDYM6N?th=1 (Year: 2022).  
Design 305134072, application date Nov. 26, 2018, country code CN, publication date Apr. 30, 2019, Hangzhou grad Furniture Design Co Ltd, creator Cai Liechao (Year: 2019).\*

\* cited by examiner

*Primary Examiner* — Mary Ann Calabrese  
*Assistant Examiner* — Mark David Wolfley  
(74) *Attorney, Agent, or Firm* — Jose Cherson Weissbrot

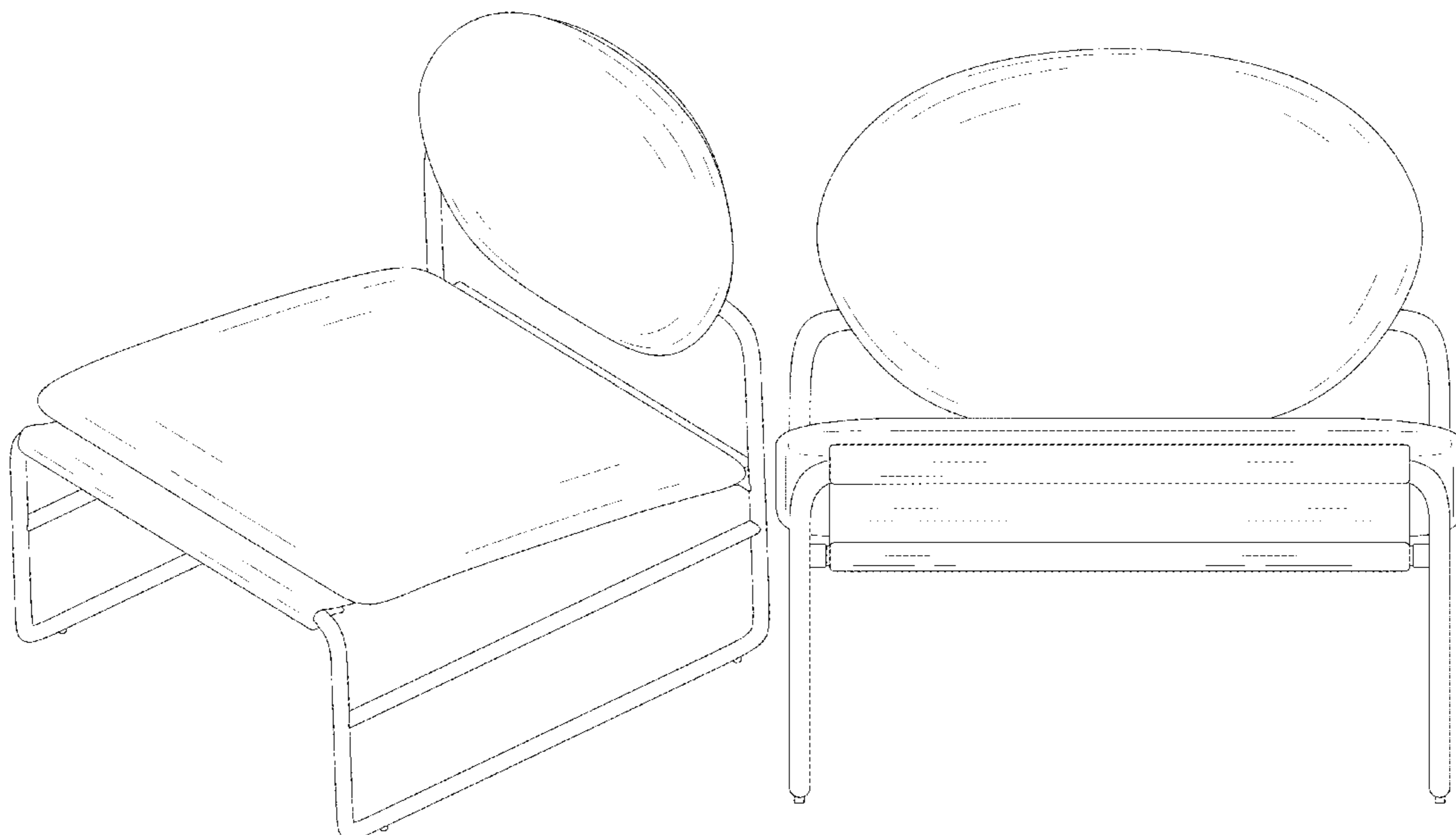
(57) **CLAIM**

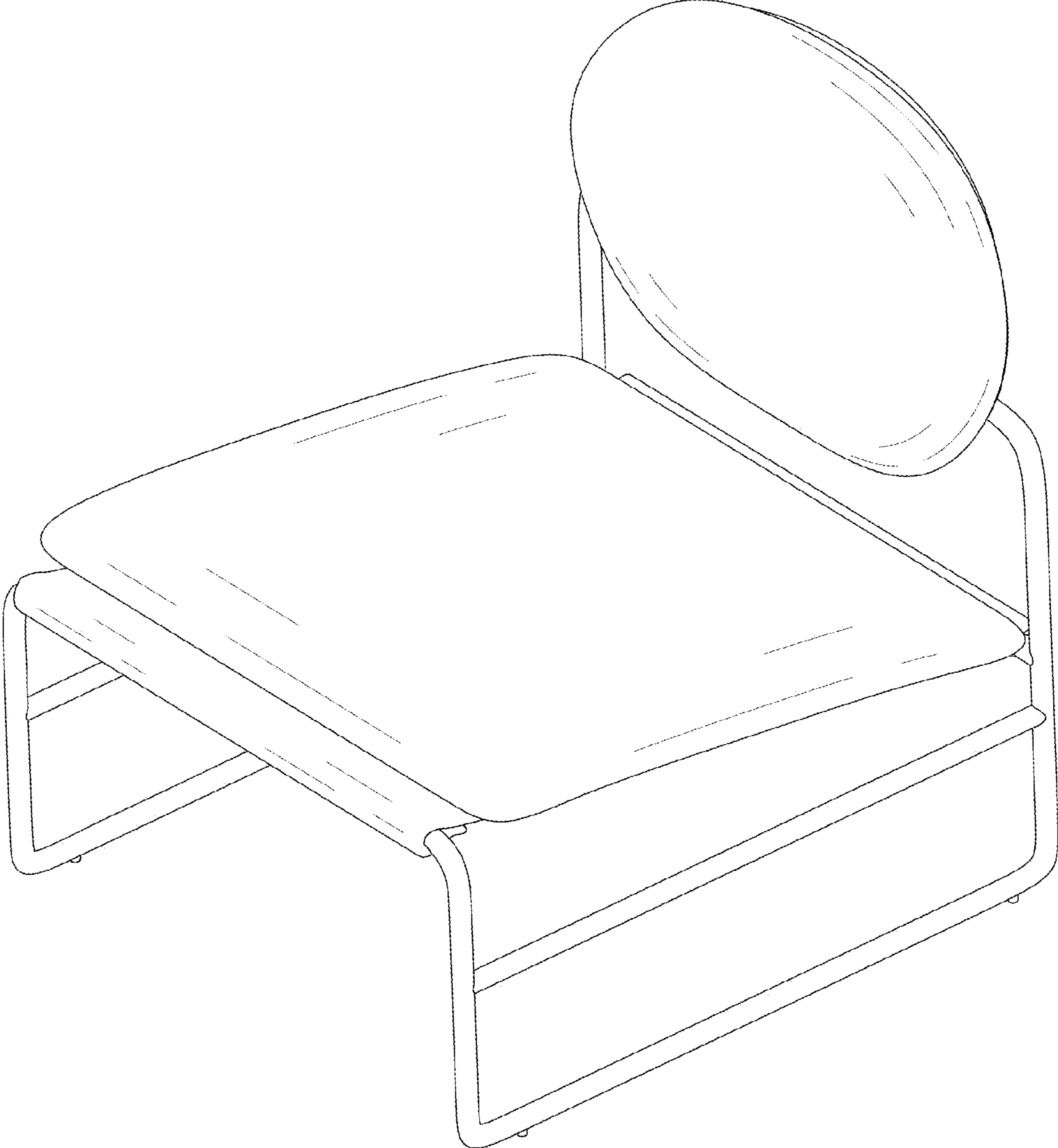
The ornamental design for a chair, as shown and described.

**DESCRIPTION**

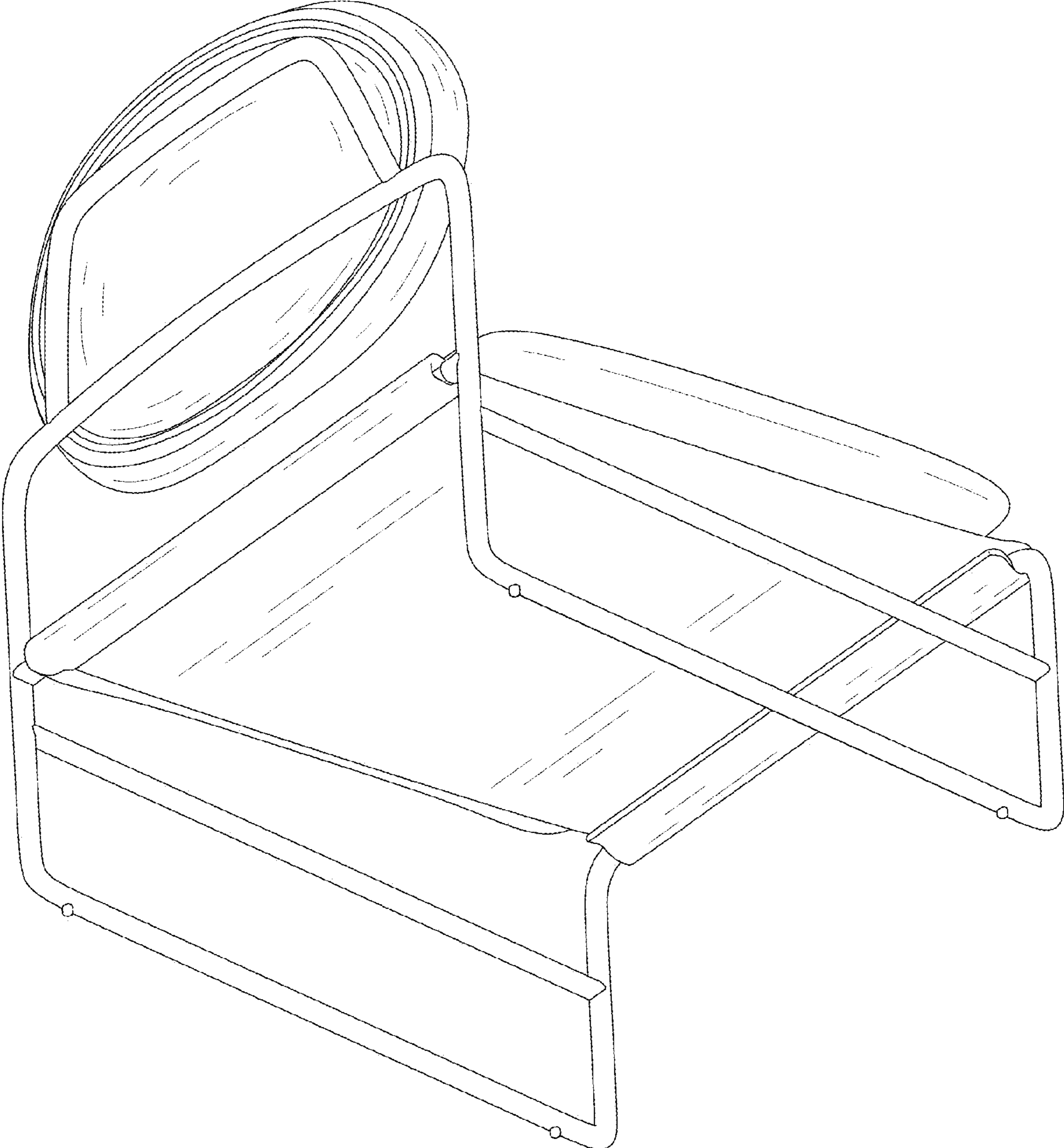
FIG. 1 is a front, top, right perspective view of a chair showing my new design;  
FIG. 2 is a rear, bottom, left perspective view thereof;  
FIG. 3 is a front elevation view thereof;  
FIG. 4 is a rear elevation view thereof;  
FIG. 5 is a left side elevation view thereof, the right side elevation view being a mirror image of FIG. 5;  
FIG. 6 is a top plan view thereof; and,  
FIG. 7 is a bottom plan view thereof.

**1 Claim, 7 Drawing Sheets**

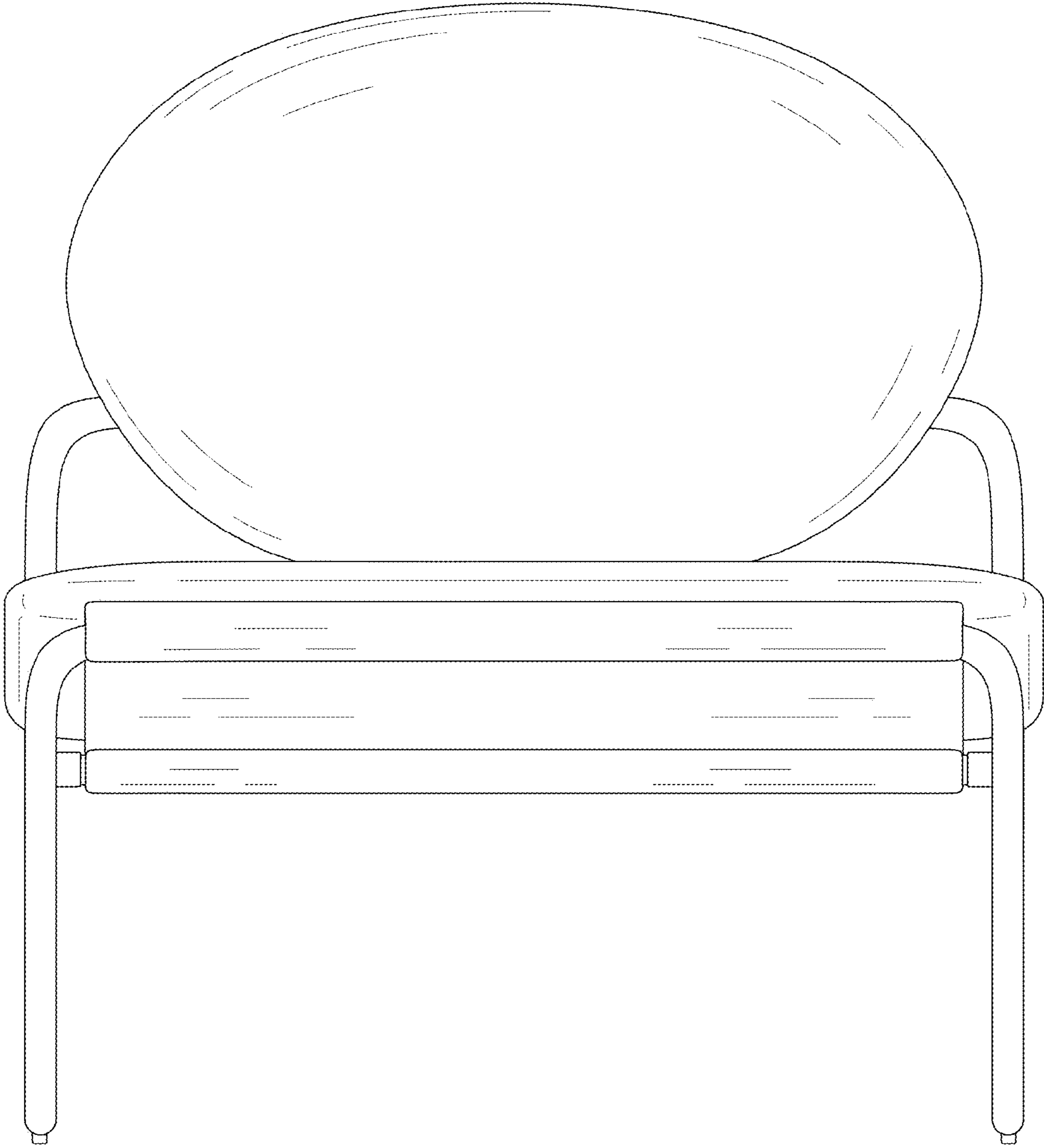




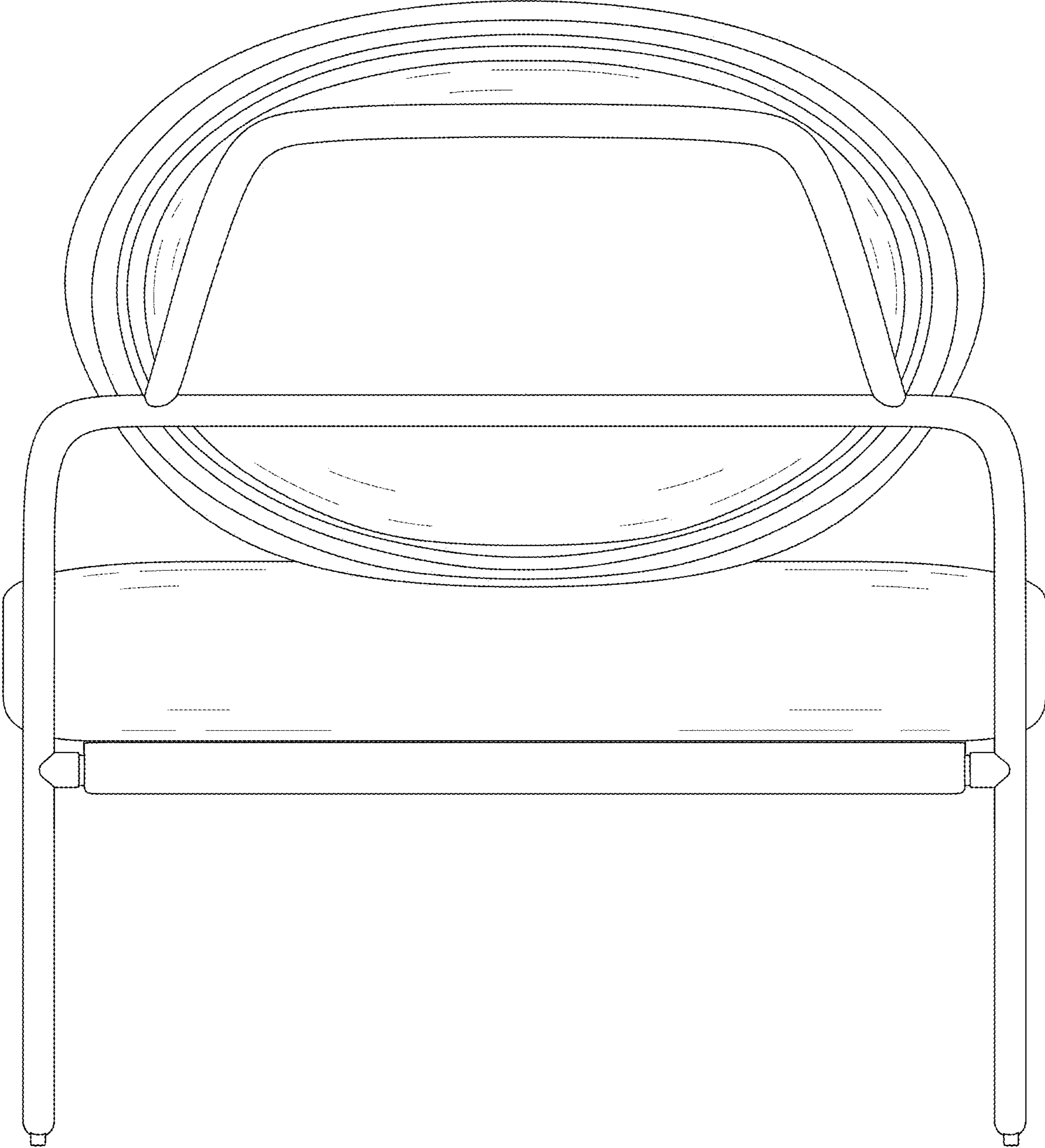
**FIG. 1**



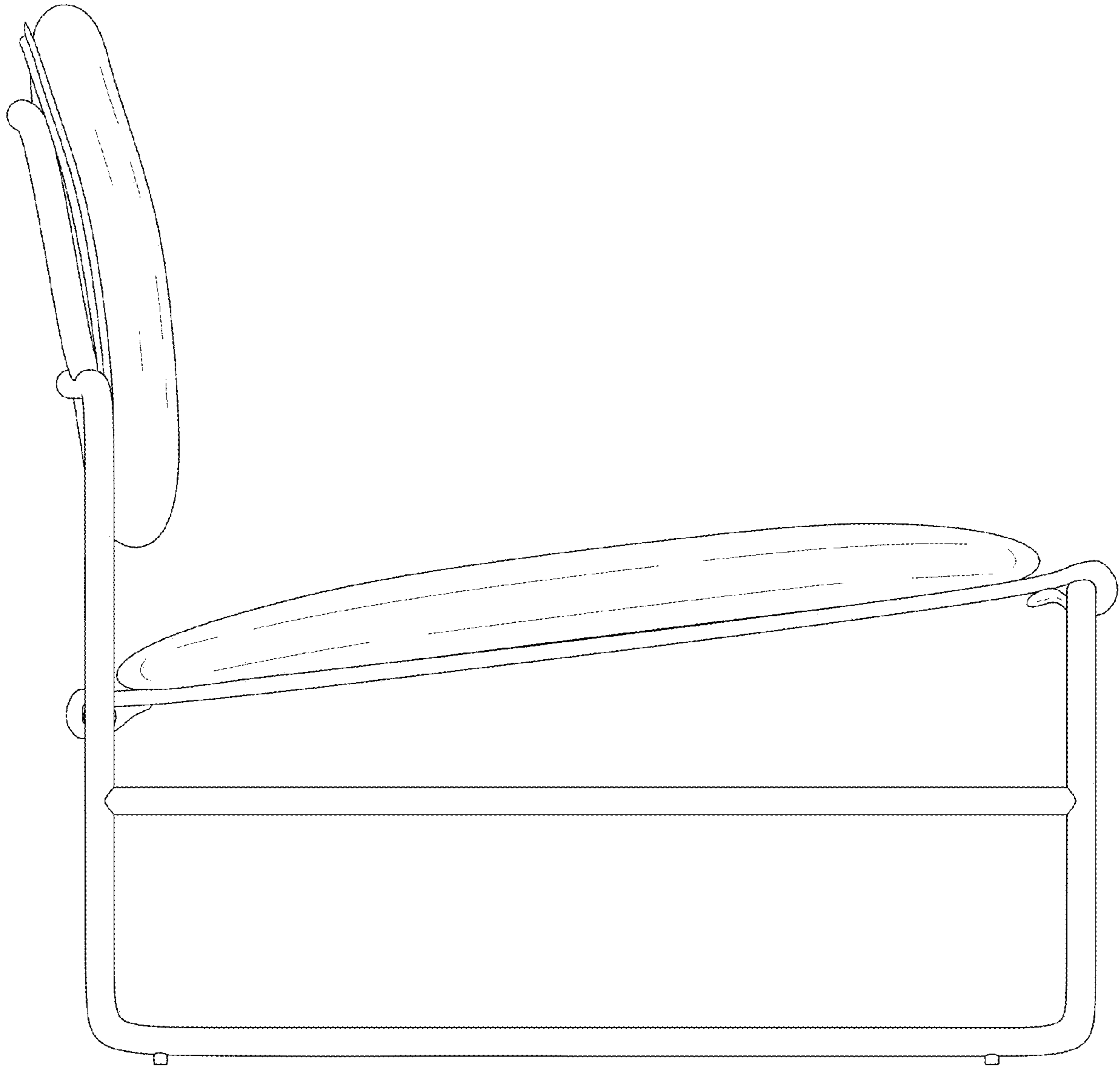
**FIG. 2**



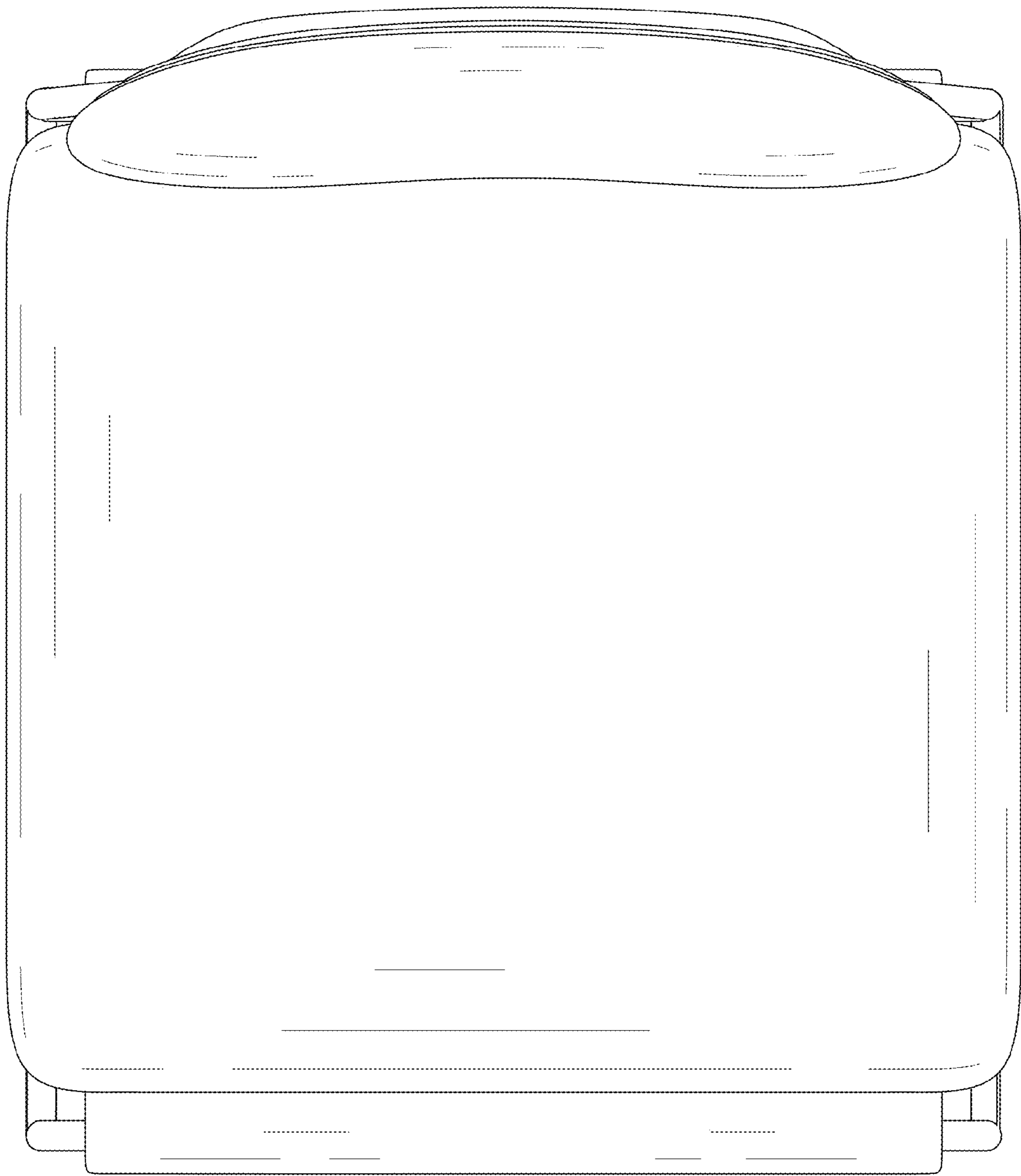
**FIG. 3**



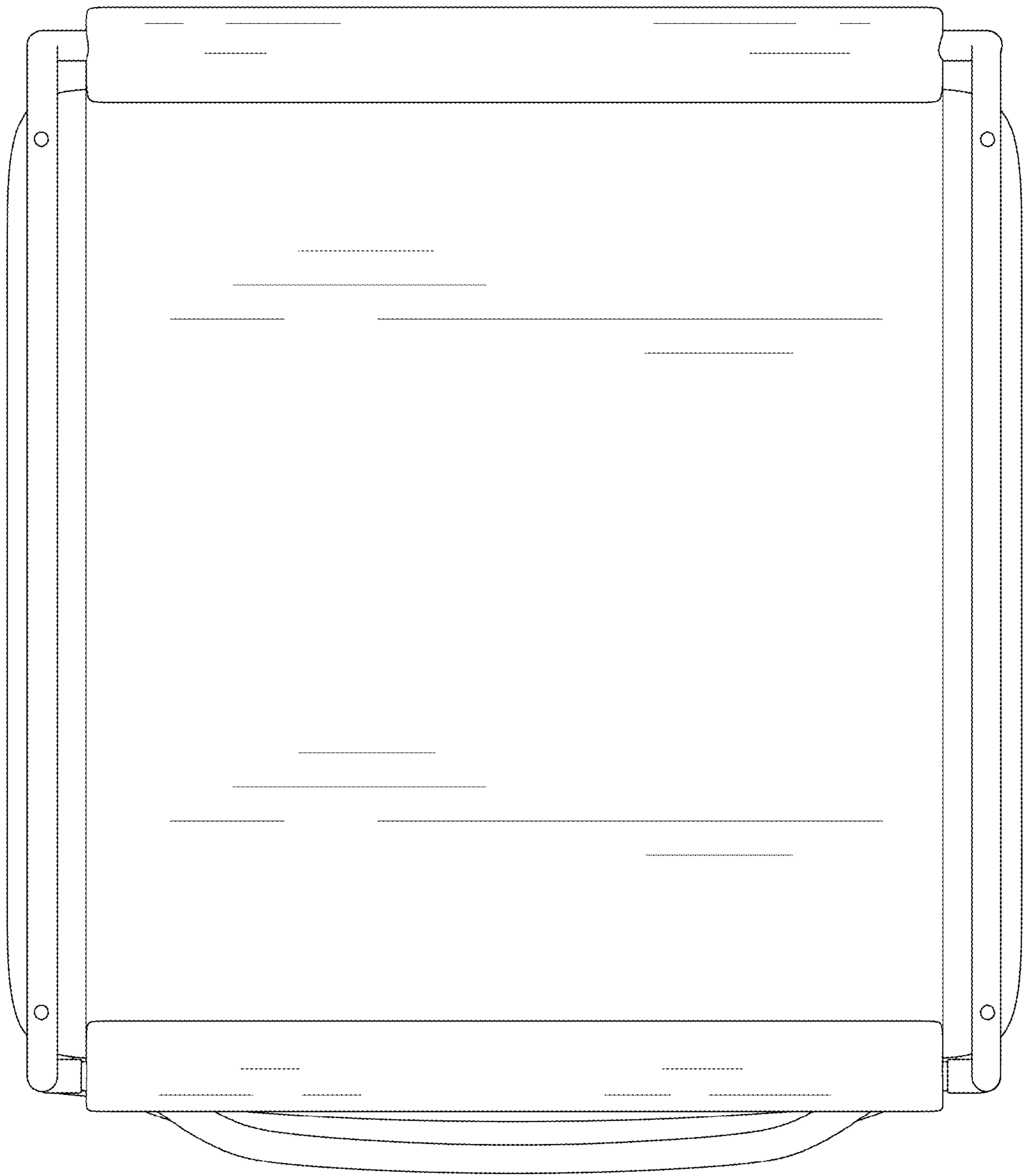
**FIG. 4**



**FIG. 5**



**FIG. 6**



**FIG. 7**