



US0D1005691S

(12) **United States Design Patent**  
**Arakaki**

(10) **Patent No.:** **US D1,005,691 S**

(45) **Date of Patent:** **\*\* Nov. 28, 2023**

(54) **LONG-BRISTLED BRUSH**

(71) Applicant: **Mark Mitsuo Arakaki**, Honolulu, HI  
(US)

(72) Inventor: **Mark Mitsuo Arakaki**, Honolulu, HI  
(US)

(\*\*) Term: **15 Years**

(21) Appl. No.: **29/846,260**

(22) Filed: **Jul. 14, 2022**

**Related U.S. Application Data**

(63) Continuation-in-part of application No. 29/755,740,  
filed on Oct. 22, 2020, now Pat. No. Des. 961,938.

(51) **LOC (14) Cl.** ..... **04-01**

(52) **U.S. Cl.**  
USPC ..... **D4/129; D4/138**

(58) **Field of Classification Search**  
USPC ..... D32/40, 41, 42, 43, 50, 51, 52; D4/129,  
D4/130, 132, 134, 135, 138  
CPC ..... A46B 15/00; A46B 2200/302; A46B  
2200/3026; A46B 2200/3033; A46B  
2200/40  
See application file for complete search history.

(56) **References Cited**

**U.S. PATENT DOCUMENTS**

- D169,571 S \* 5/1953 Abrams ..... D4/118
- 2,802,229 A \* 8/1957 Bangs ..... A46B 5/02  
15/160
- D360,763 S \* 8/1995 Camp, Jr. .... D4/138
- D369,906 S \* 5/1996 Henrie ..... D4/129
- 6,081,958 A \* 7/2000 Van Staagen ..... A46B 5/04  
15/159.1

- D554,313 S \* 10/2007 Talesfore ..... D4/125
- D561,961 S \* 2/2008 Talesfore ..... D32/43
- D571,968 S \* 6/2008 Talesfore ..... D32/43
- D703,957 S \* 5/2014 Parsons ..... D28/63
- D705,544 S \* 5/2014 Masalin ..... D4/138
- D825,933 S \* 8/2018 Waldenburger ..... D4/129
- D841,914 S \* 2/2019 Cira ..... D32/42
- D841,915 S \* 2/2019 Cira ..... D32/42
- D878,767 S \* 3/2020 Uyttenboogaard ..... D4/129
- D961,938 S \* 8/2022 Arakaki ..... D4/129
- 2022/0031054 A1 \* 2/2022 Arakaki ..... A46B 9/02

\* cited by examiner

*Primary Examiner* — Karen E Eldridge Powers

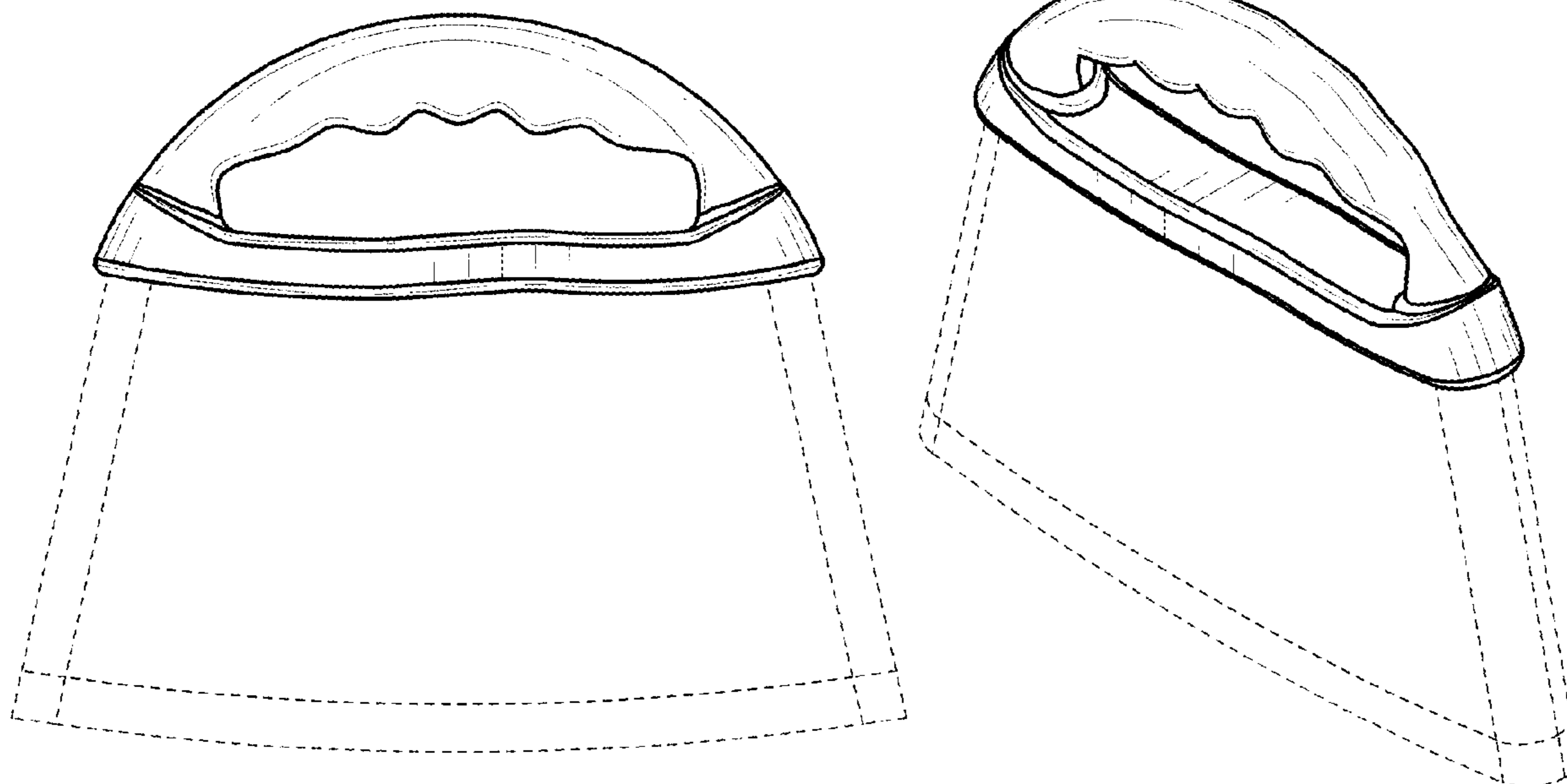
(57) **CLAIM**

The ornamental design for a long-bristled brush, as shown and described.

**DESCRIPTION**

FIG. 1 is a front-plan view of a long-bristled brush showing my new design;  
 FIG. 2 is a back-plan view of a long-bristled brush showing my new design;  
 FIG. 3 is a front-top-right perspective view thereof;  
 FIG. 4 is a front-bottom-right perspective view thereof;  
 FIG. 5 is a front-bottom-left perspective view thereof;  
 FIG. 6 is a front-top-left perspective view thereof;  
 FIG. 7 is a top elevation view thereof;  
 FIG. 8 is a left elevation view thereof;  
 FIG. 9 is a right elevation view thereof; and,  
 FIG. 10 is a bottom elevation view thereof.  
 The broken line showing the bristles in FIGS. 1-10 are included for the purpose of showing environmental structure and form no part of the claimed design.

**1 Claim, 10 Drawing Sheets**



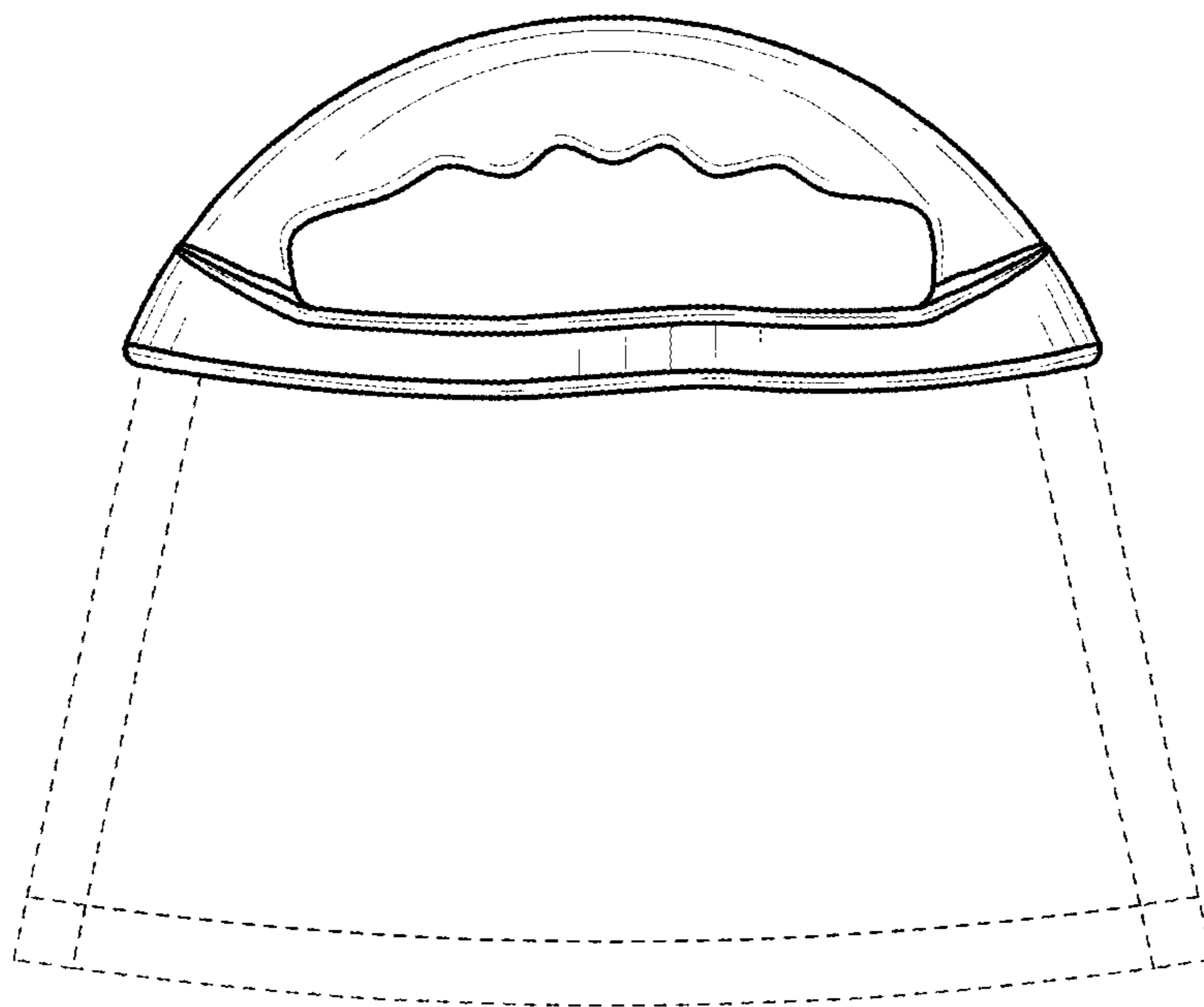


FIG. 1

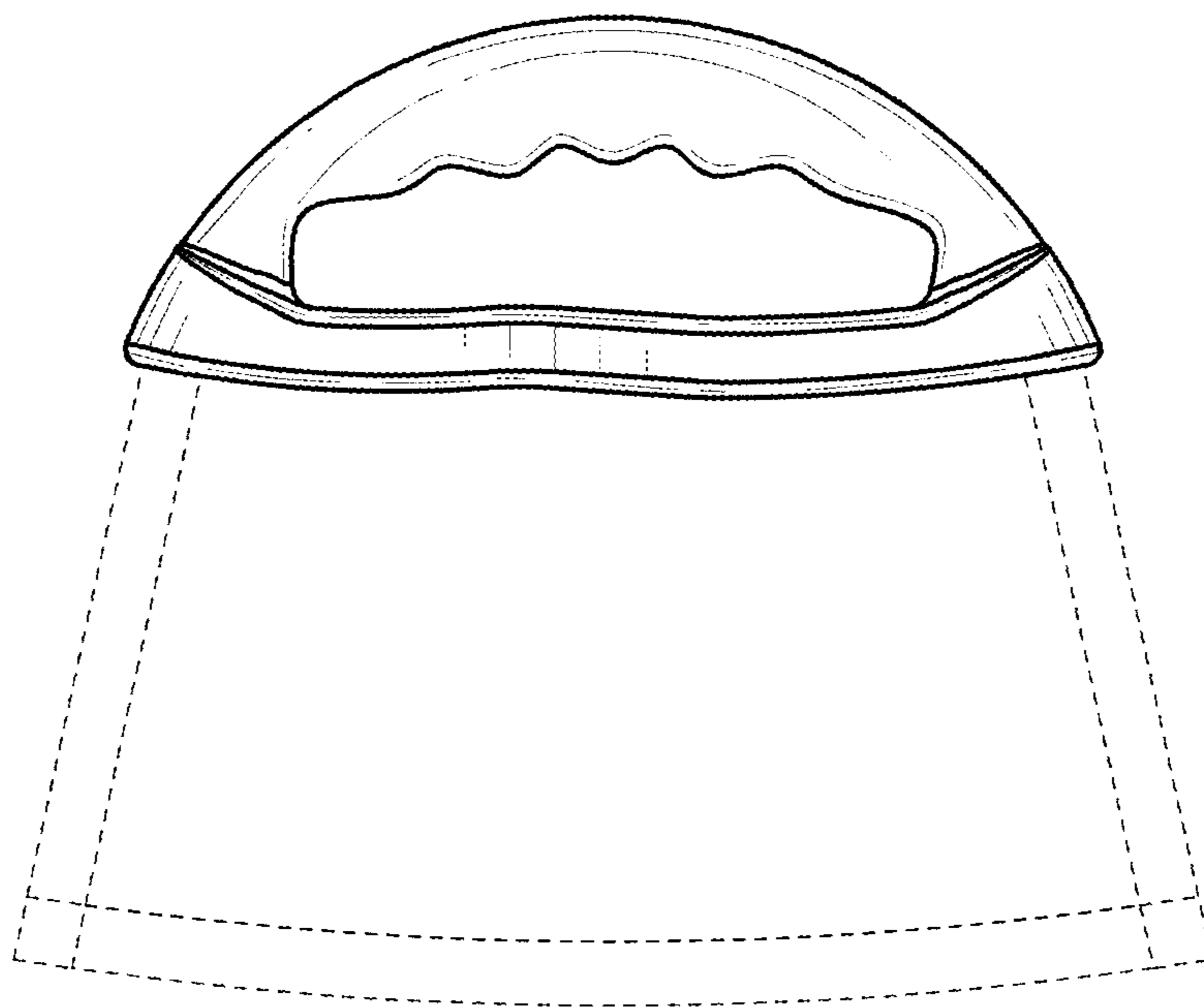


FIG. 2

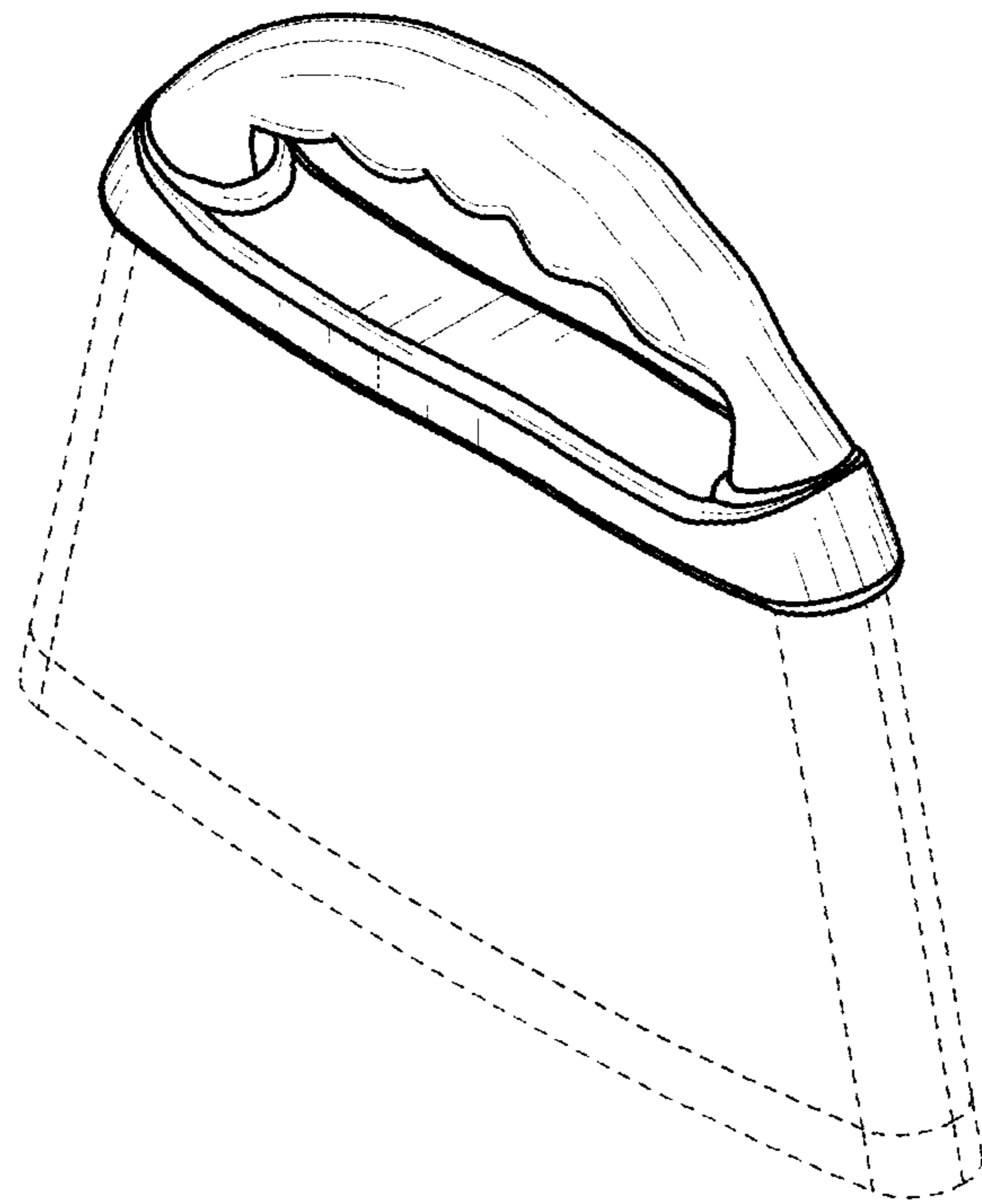


FIG. 3

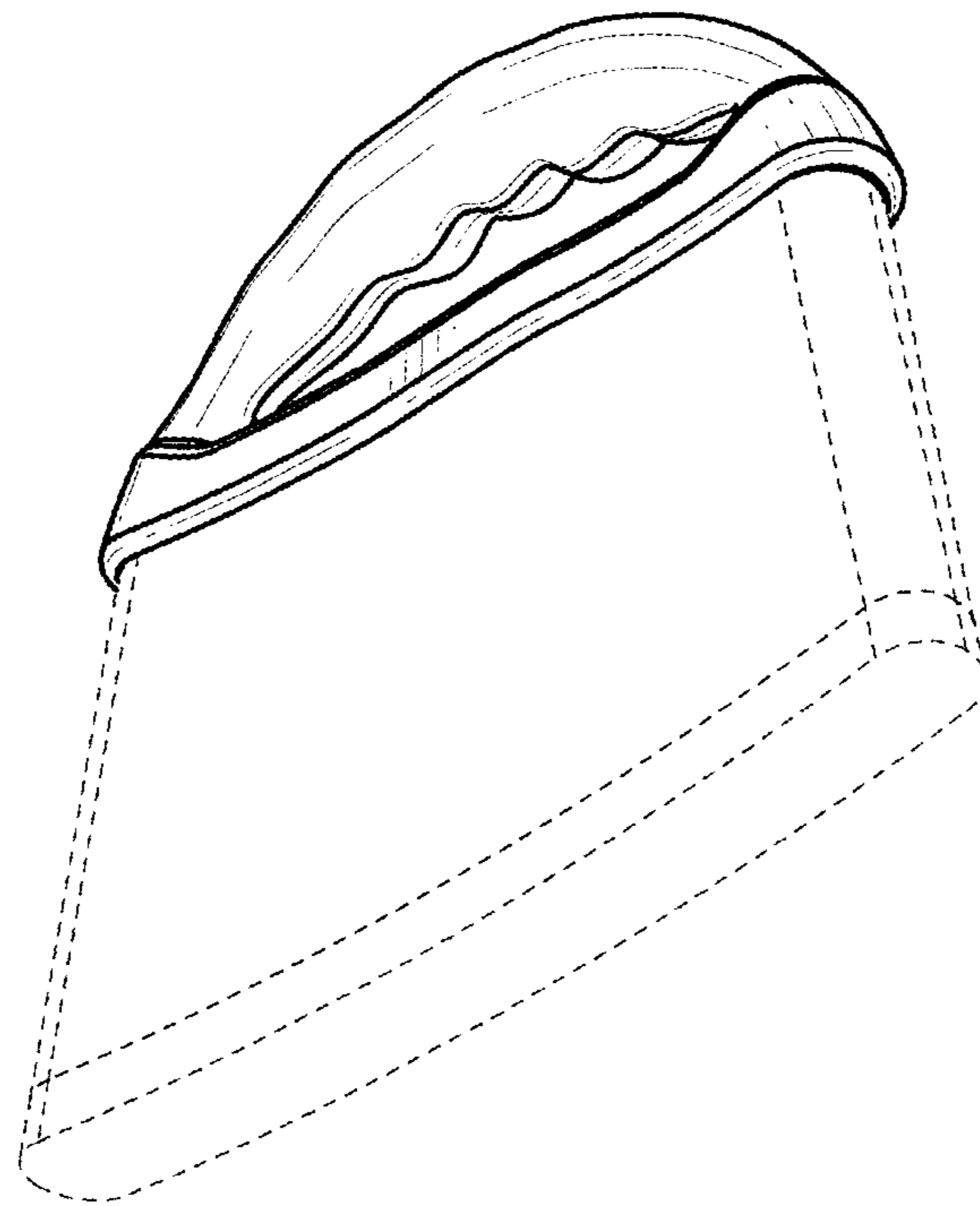


FIG. 4

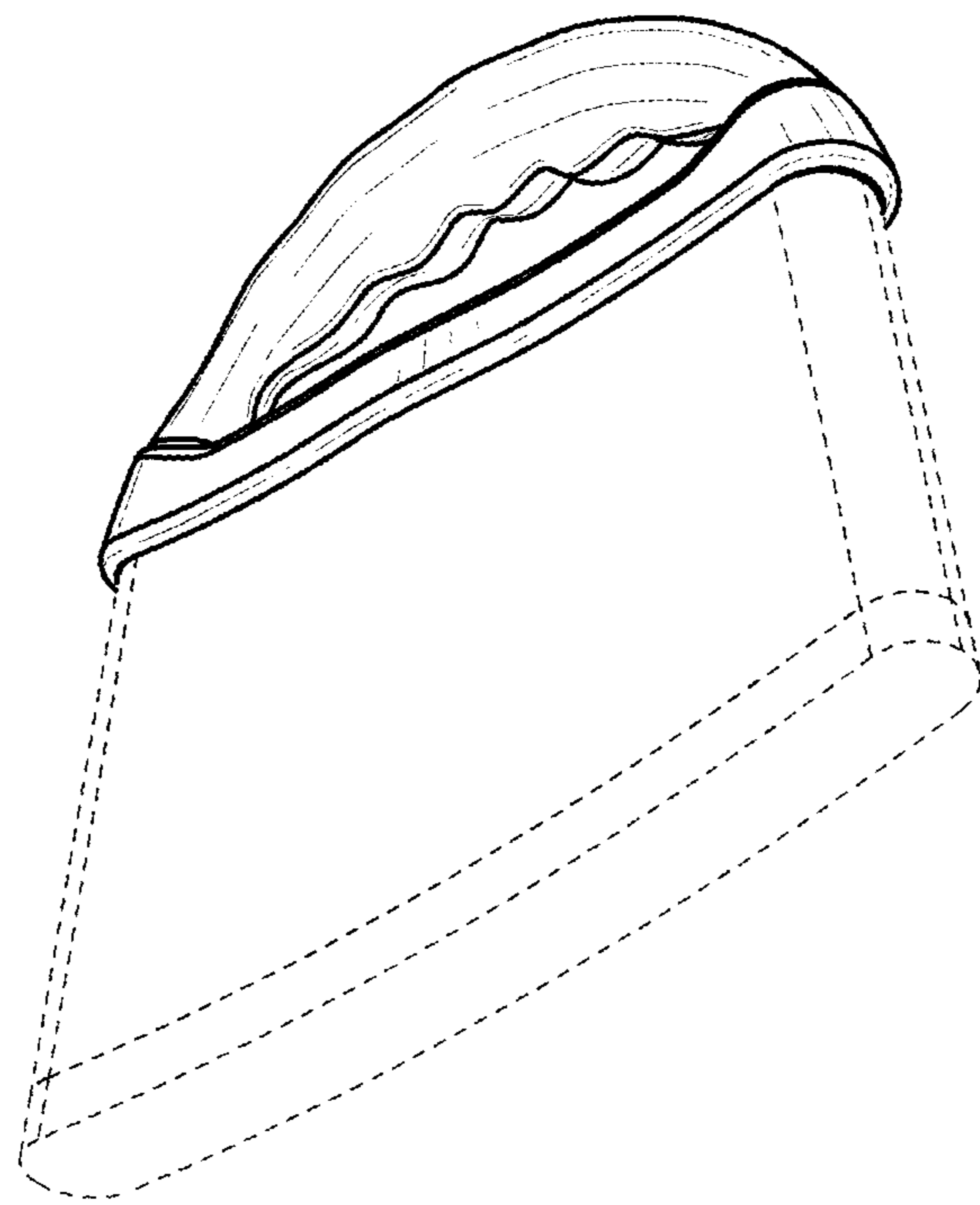


FIG. 5

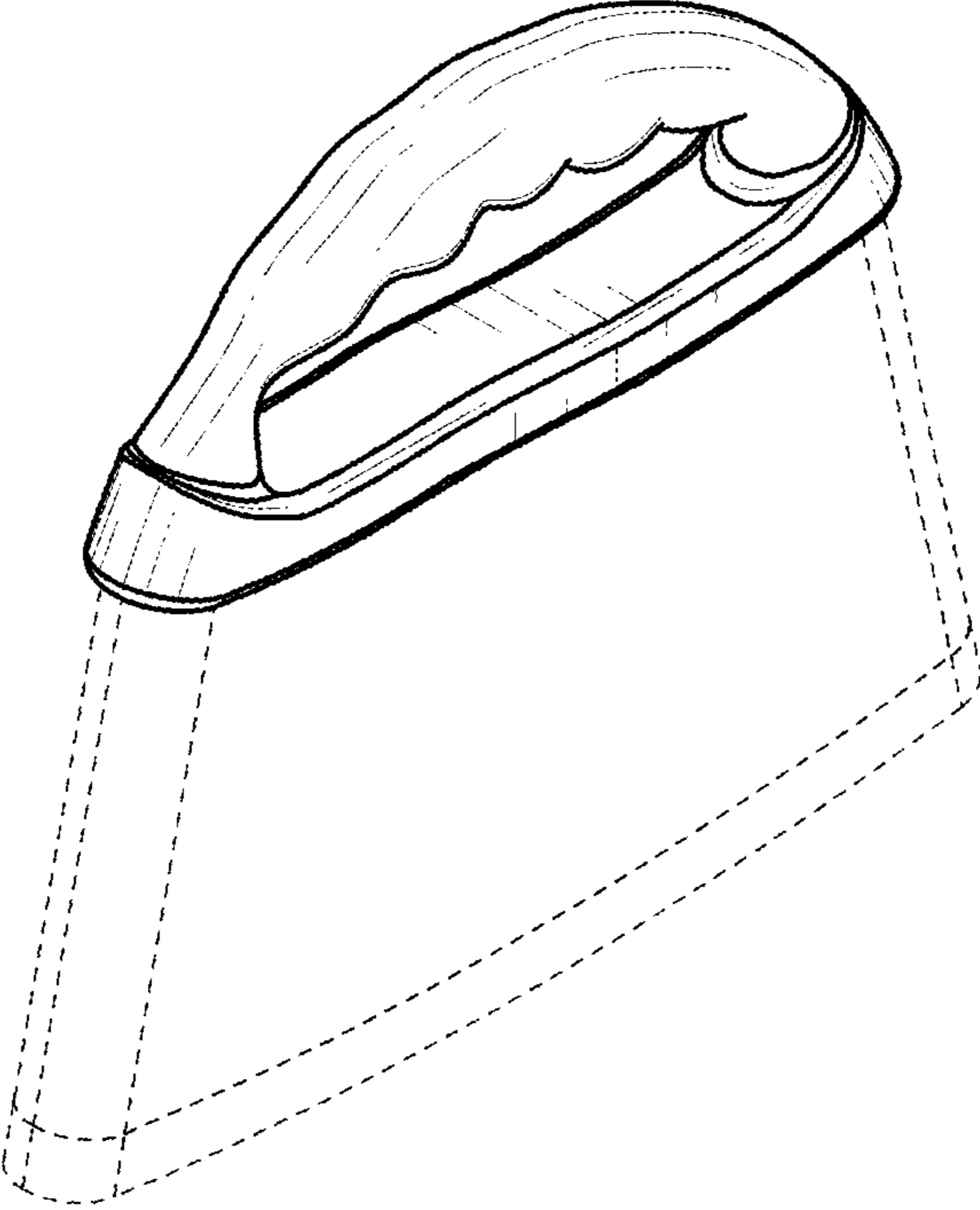


FIG. 6

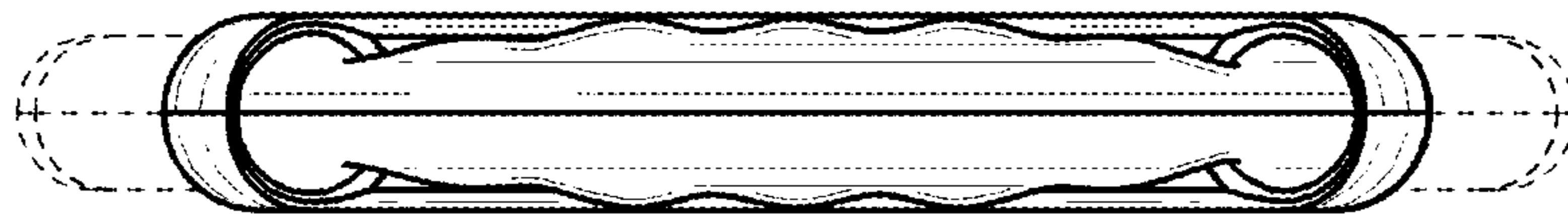


FIG. 7



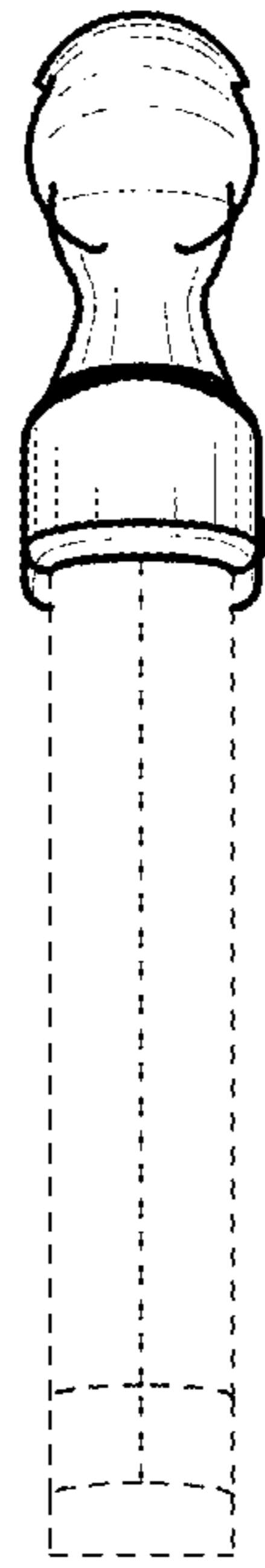


FIG. 8

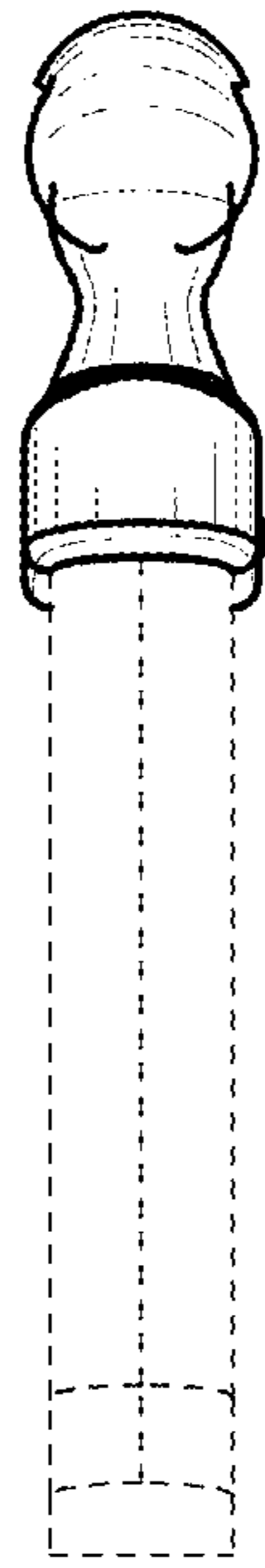


FIG. 9



FIG. 10