



US0D1005600S

(12) **United States Design Patent** (10) **Patent No.:** **US D1,005,600 S**  
**Lee** (45) **Date of Patent:** **\*\* Nov. 21, 2023**

(54) **HELMET**

(71) Applicant: **HJC CORP.**, Yongin-si (KR)

(72) Inventor: **Jaechul Lee**, Yongin-si (KR)

(73) Assignee: **HJC CORP.**, Yongin-si (KR)

(\*\*) Term: **15 Years**

(21) Appl. No.: **29/776,635**

(22) Filed: **Mar. 31, 2021**

(30) **Foreign Application Priority Data**

Feb. 17, 2021 (KR) ..... 30-2021-0007972

(51) **LOC (14) Cl.** ..... **02-03**

(52) **U.S. Cl.**  
USPC ..... **D29/107**

(58) **Field of Classification Search**  
USPC ..... D29/102-107, 111, 122

(Continued)

(56) **References Cited**

**U.S. PATENT DOCUMENTS**

6,263,513 B1 \* 7/2001 Murakami ..... A42B 3/0493  
2/424  
D571,507 S \* 6/2008 Murakami ..... D29/107

(Continued)

**FOREIGN PATENT DOCUMENTS**

CN 306953015 \* 11/2021  
JP D1682899 \* 4/2021

**OTHER PUBLICATIONS**

HJC RPHA 1N Helmet—Gear Review (on-line), reviewed Jun. 24, 2022. Retrieved from Internet May 24, 2023, URL: <https://ridermagazine.com/2022/06/24/hjc-rpha-1n-helmet-gear-review/> (5 pages) (Year: 2022).\*

(Continued)

*Primary Examiner* — Kimberly Barnes

(74) *Attorney, Agent, or Firm* — NSIP Law

(57) **CLAIM**

I claim the ornamental design for a helmet, as shown and described.

**DESCRIPTION**

FIG. 1 is a front perspective view of a helmet showing my new design;

FIG. 2 is a front view thereof;

FIG. 3 is a rear view thereof;

FIG. 4 is a left-side view thereof;

FIG. 5 is a right-side view thereof;

FIG. 6 is a top view thereof;

FIG. 7 is a bottom view thereof;

FIG. 8 is a rear perspective view thereof;

FIG. 9 is an enlarged view of the encircled portion in FIG. 1;

FIG. 10 is an enlarged view of the encircled portion in FIG. 1;

FIG. 11 is an enlarged view of the encircled portion in FIG. 1;

FIG. 12 is an enlarged view of the encircled portion in FIG. 2;

FIG. 13 is an enlarged view of the encircled portion in FIG. 4;

FIG. 14 is an enlarged view of the encircled portion in FIG. 4;

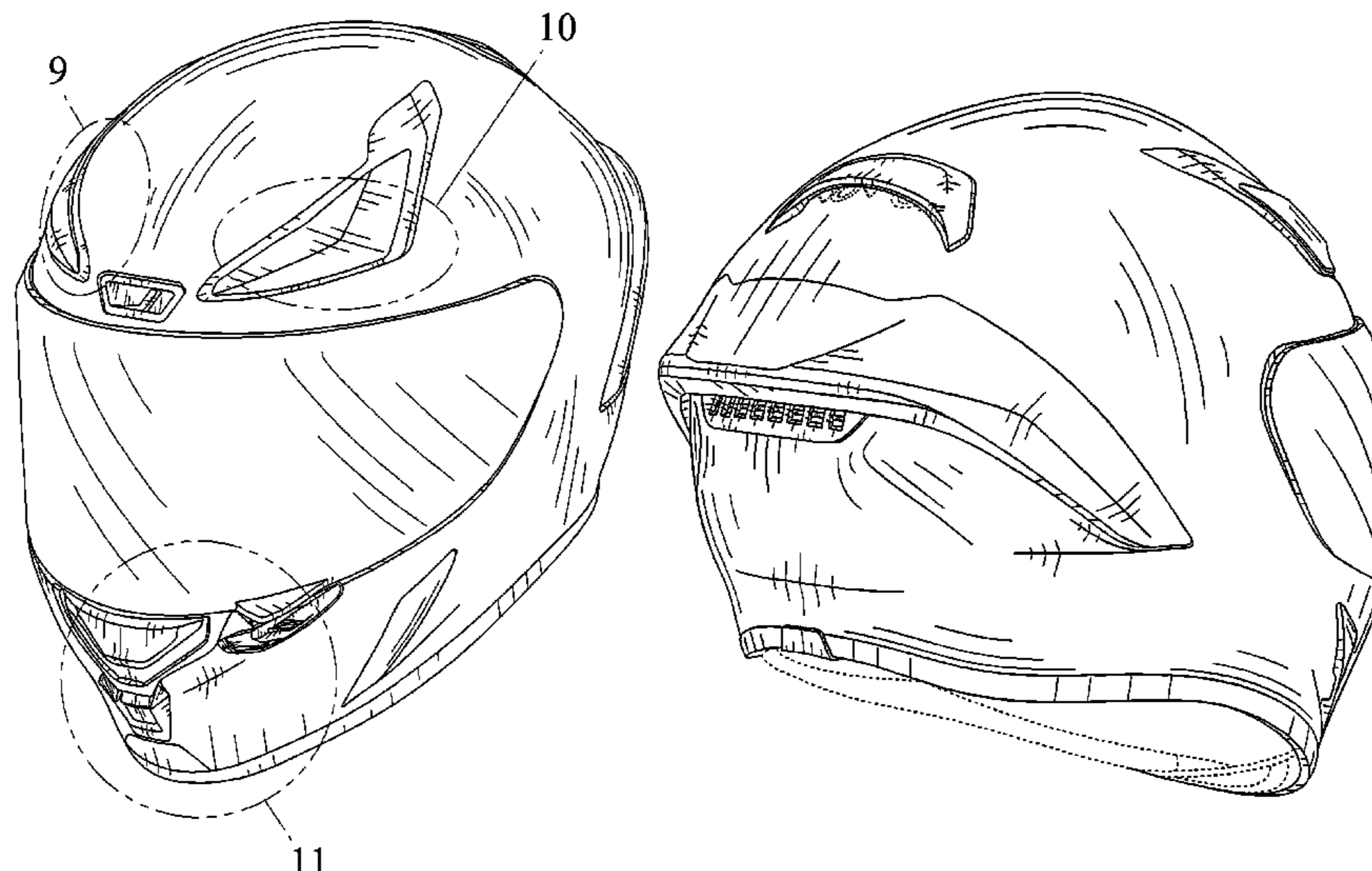
FIG. 15 is an enlarged view of the encircled portion in FIG. 6; and,

FIG. 16 is an enlarged view of the encircled portion in FIG. 7.

The broken lines in the figures depict portions of the helmet which form no part of the claimed design.

The dot-dash broken lines encircling portions of the claimed design that are illustrated in enlargements form no part of the claimed design.

**1 Claim, 13 Drawing Sheets**



(58) **Field of Classification Search**  
 CPC ..... A42B 3/04; A42B 3/0406; A42B 3/0433;  
                   A42B 3/0453; A42B 3/046; A42B  
                   3/0466; A42B 3/0493; A42B 3/18; A42B  
   3/22  
 See application file for complete search history.

(56) **References Cited**

U.S. PATENT DOCUMENTS

D621,551	S *	8/2010	Isobe	.....	D29/107
D627,520	S *	11/2010	Choi	.....	D29/107
8,726,425	B2 *	5/2014	Murakami	.....	A42B 3/0493 2/455
9,681,697	B2 *	6/2017	Ikeda	.....	A42B 3/142
9,949,521	B2 *	4/2018	Isobe	.....	A42B 3/0493
D843,663	S *	3/2019	Locatelli	.....	D29/107
D849,329	S *	5/2019	Tang	.....	D29/107
10,342,282	B2 *	7/2019	Salvetti	.....	A42B 3/328
D859,748	S *	9/2019	Lee	.....	D29/107
D893,105	S *	8/2020	Amoriello	.....	D29/107
D929,045	S *	8/2021	Murakami	.....	D29/107
D977,725	S *	2/2023	Rees	.....	D29/107

2013/0114247	A1 *	5/2013	Rigaud	.....	B60Q 1/444 362/106
2015/0320135	A1 *	11/2015	Lowe	.....	A42B 3/12 2/411
2017/0055620	A1 *	3/2017	Shida	.....	A42B 3/0493
2018/0055132	A1 *	3/2018	Leipold	.....	A42B 3/0493
2019/0387829	A1 *	12/2019	Becker	.....	A42B 3/0493
2020/0229529	A1 *	7/2020	Hunt	.....	A42B 3/223
2020/0305532	A1 *	10/2020	Lange	.....	H01Q 1/44
2021/0307444	A1 *	10/2021	Satou	.....	H02J 7/0045
2022/0022585	A1 *	1/2022	Isobe	.....	G02B 27/0176
2022/0031006	A1 *	2/2022	Boyadgis	.....	G08G 1/0104
2022/0322778	A1 *	10/2022	Vlasovs	.....	A42B 3/0493
2022/0361622	A1 *	11/2022	Hartlieb	.....	A42B 3/303

OTHER PUBLICATIONS

HJC RPHA 1N Senin Men’s Street Motorcycle Helmet (on-line),  
 dated Sep. 3, 2021. Retrieved from Internet May 24, 2023, URL:  
[https://www.amazon.com/HJC-Senin-Street-Motorcycle-Helmet/dp/  
 B09FF1Y2Q4/ref \(2 pages\) \(Year: 2021\).\\*](https://www.amazon.com/HJC-Senin-Street-Motorcycle-Helmet/dp/B09FF1Y2Q4/ref(2%20pages)(Year:2021).*)

\* cited by examiner

FIG. 1

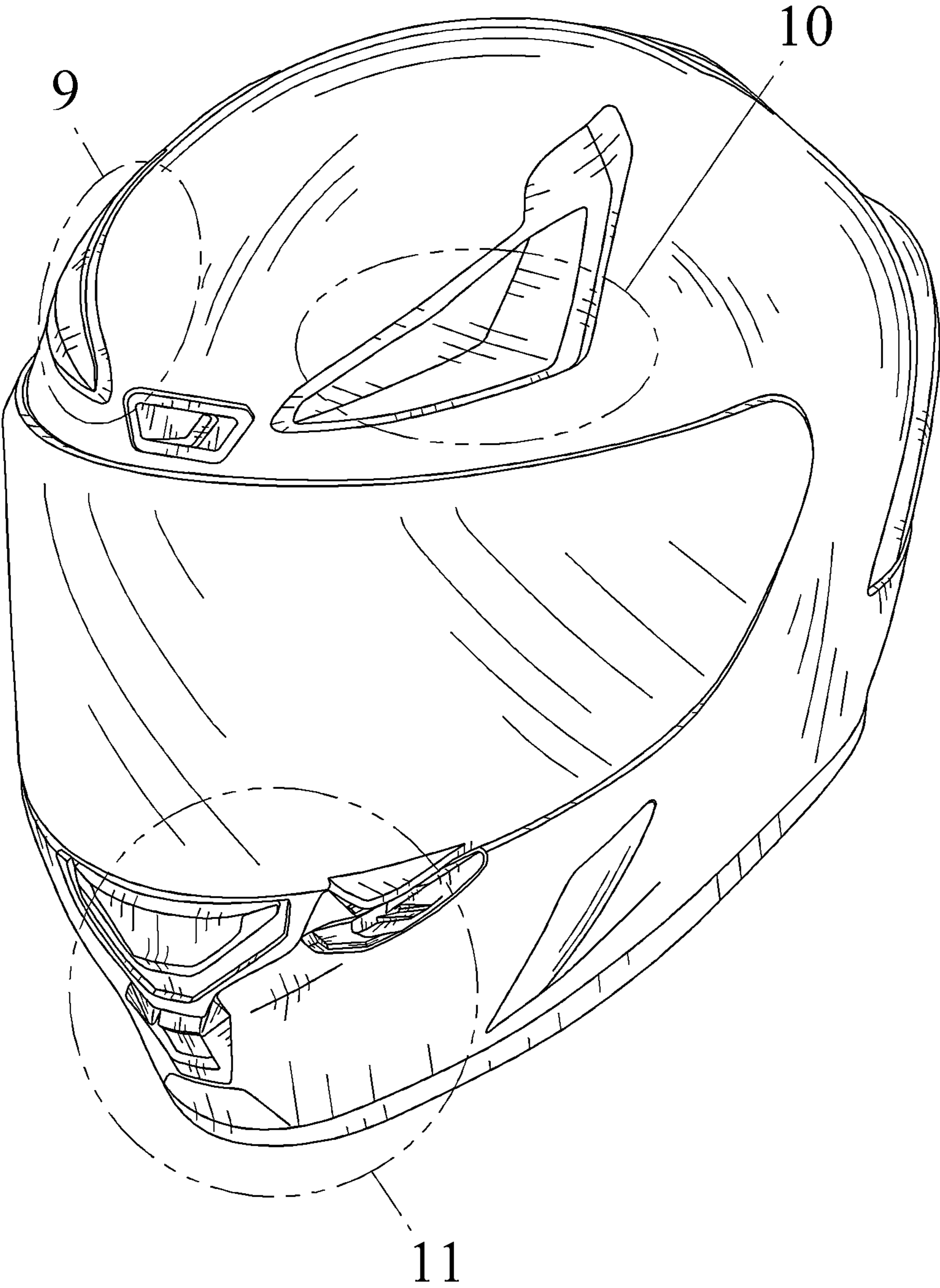
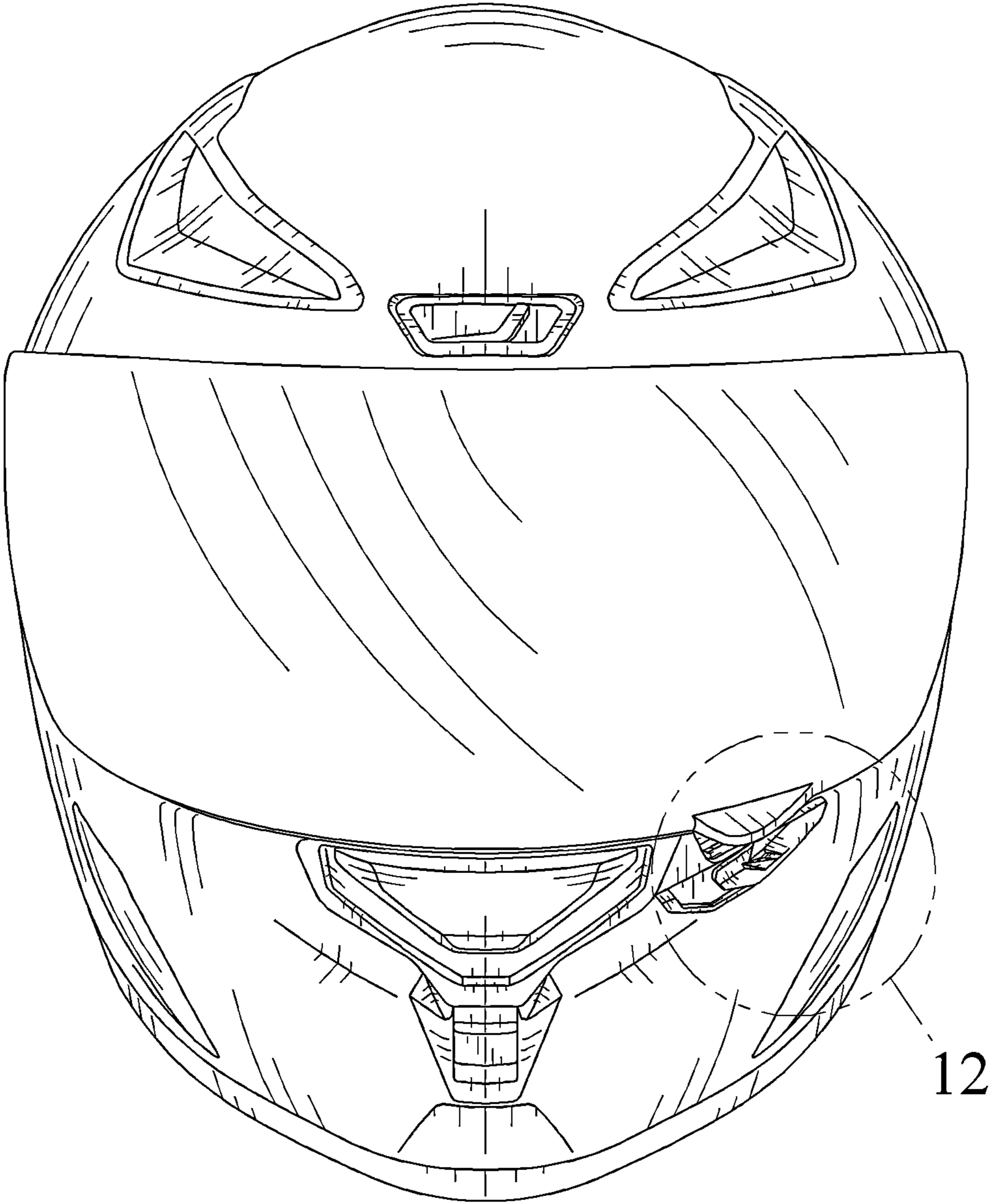




FIG. 2



**FIG. 3**

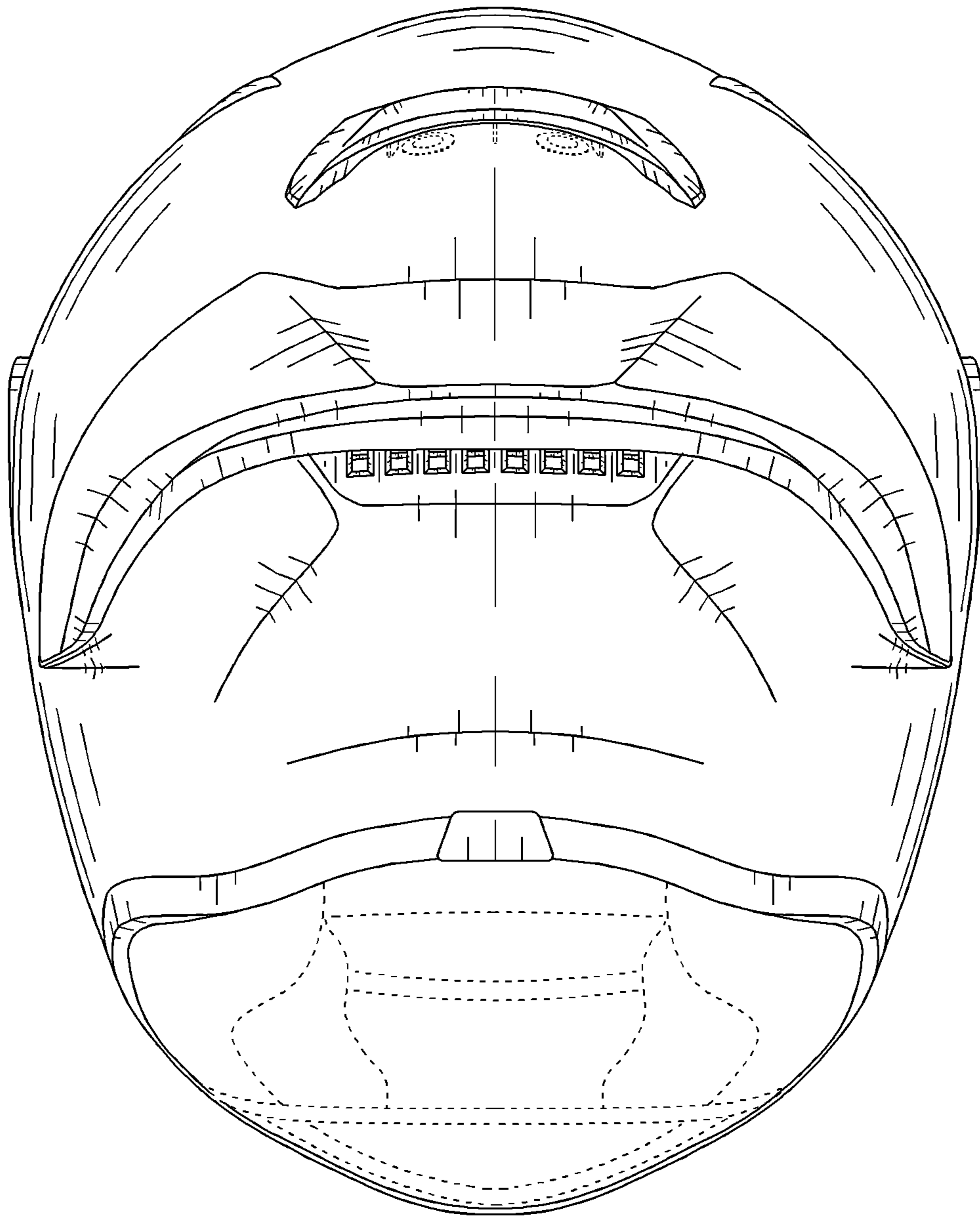


FIG. 4

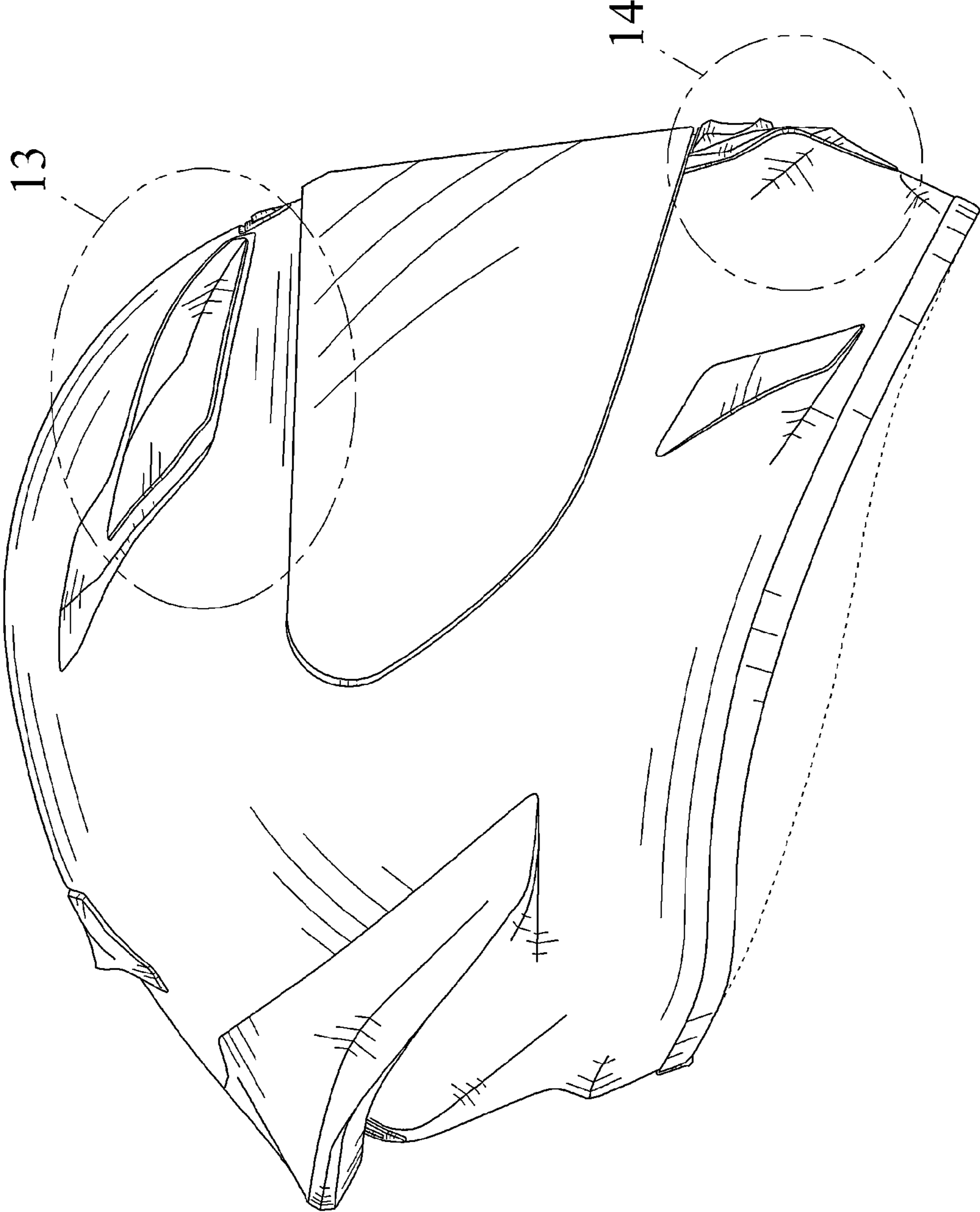
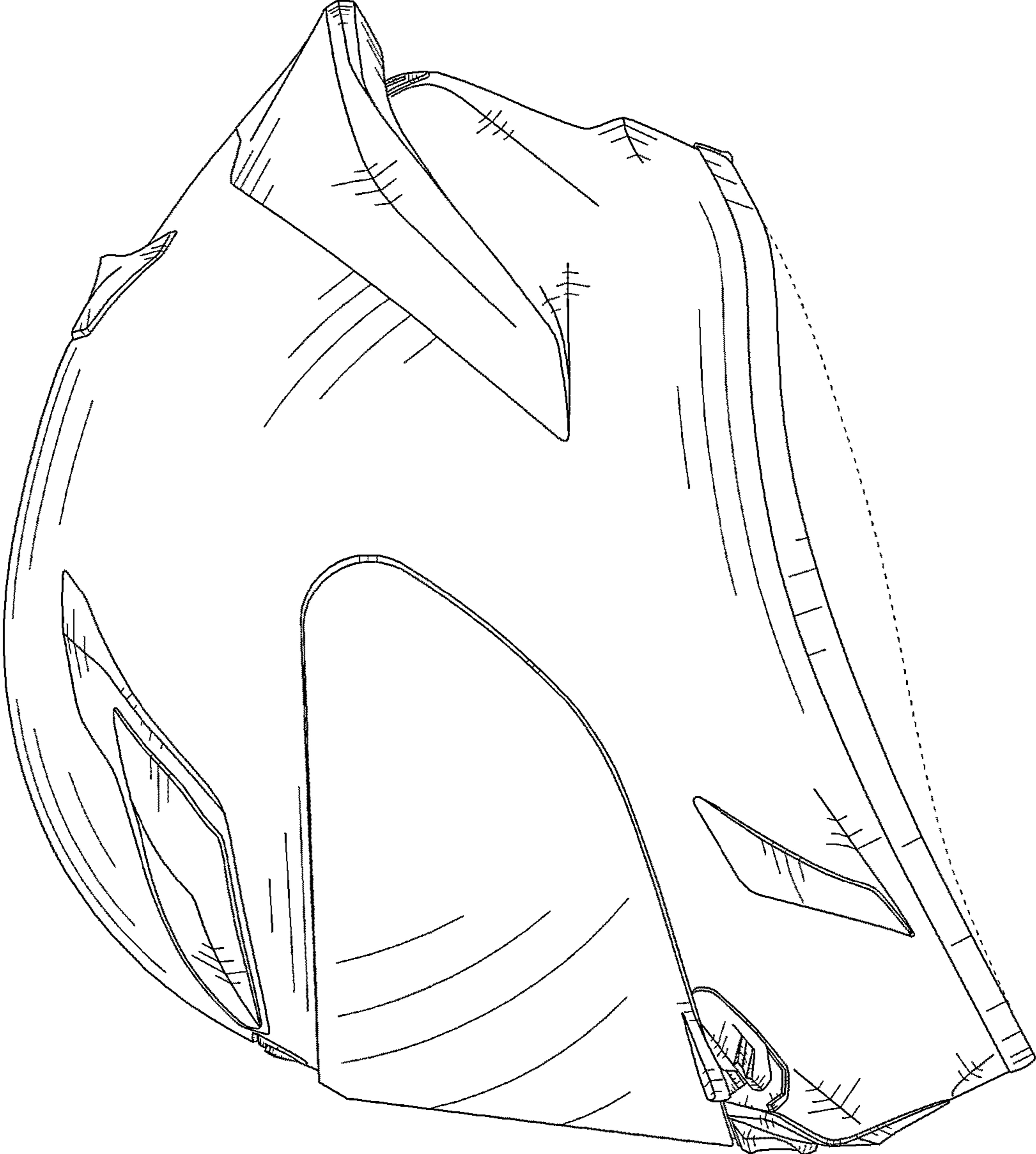


FIG. 5





**FIG. 6**

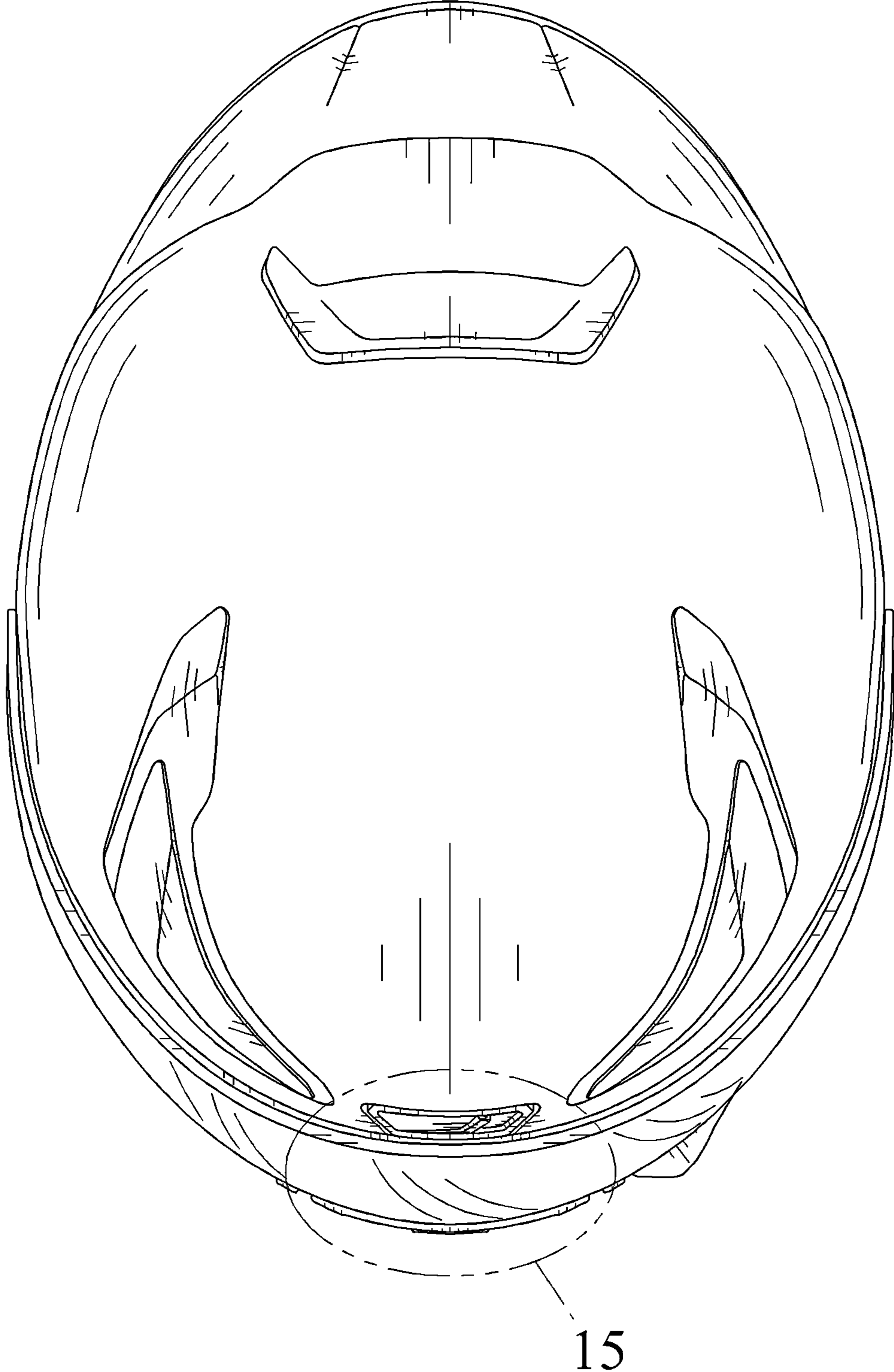




FIG. 7

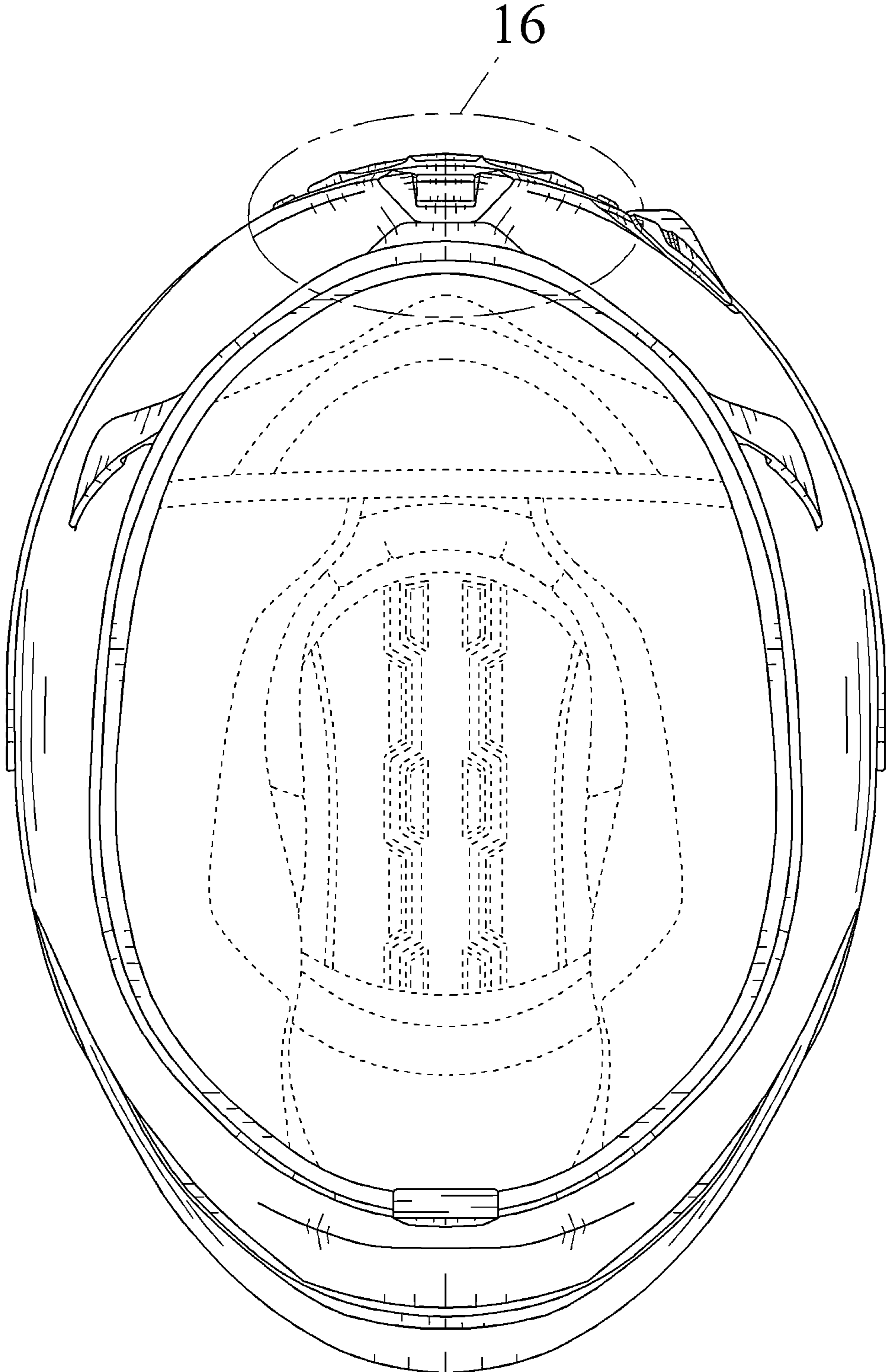
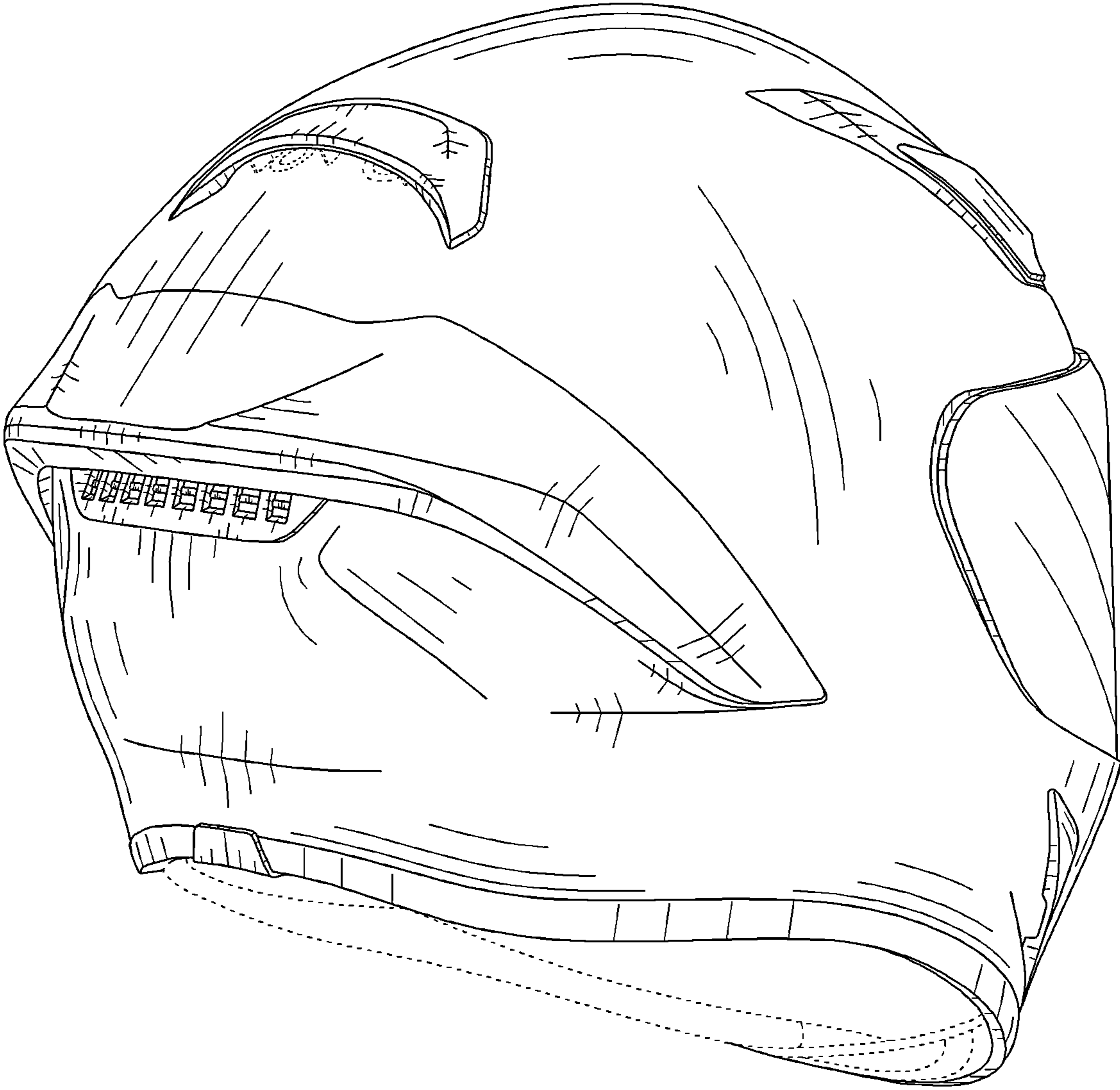
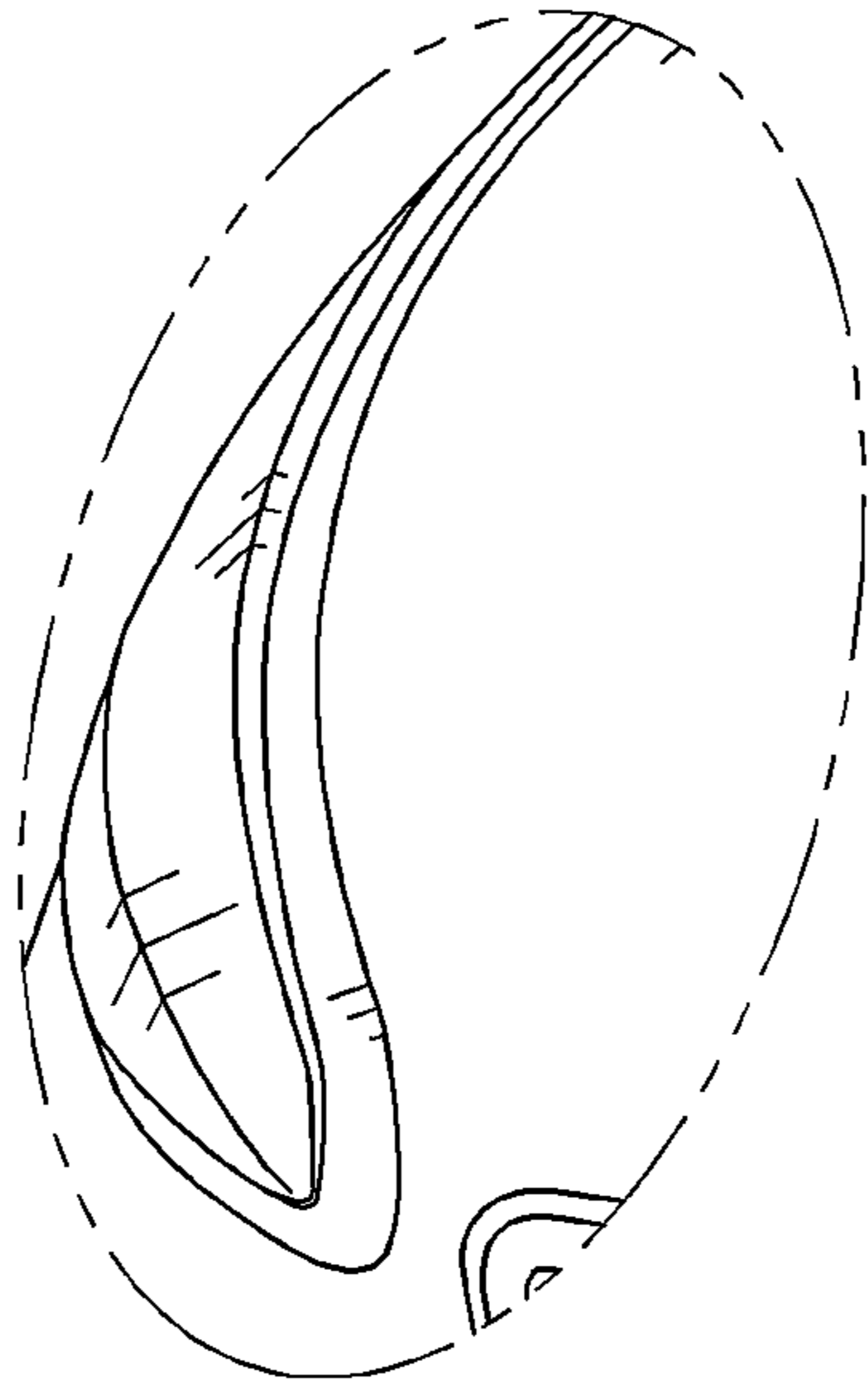


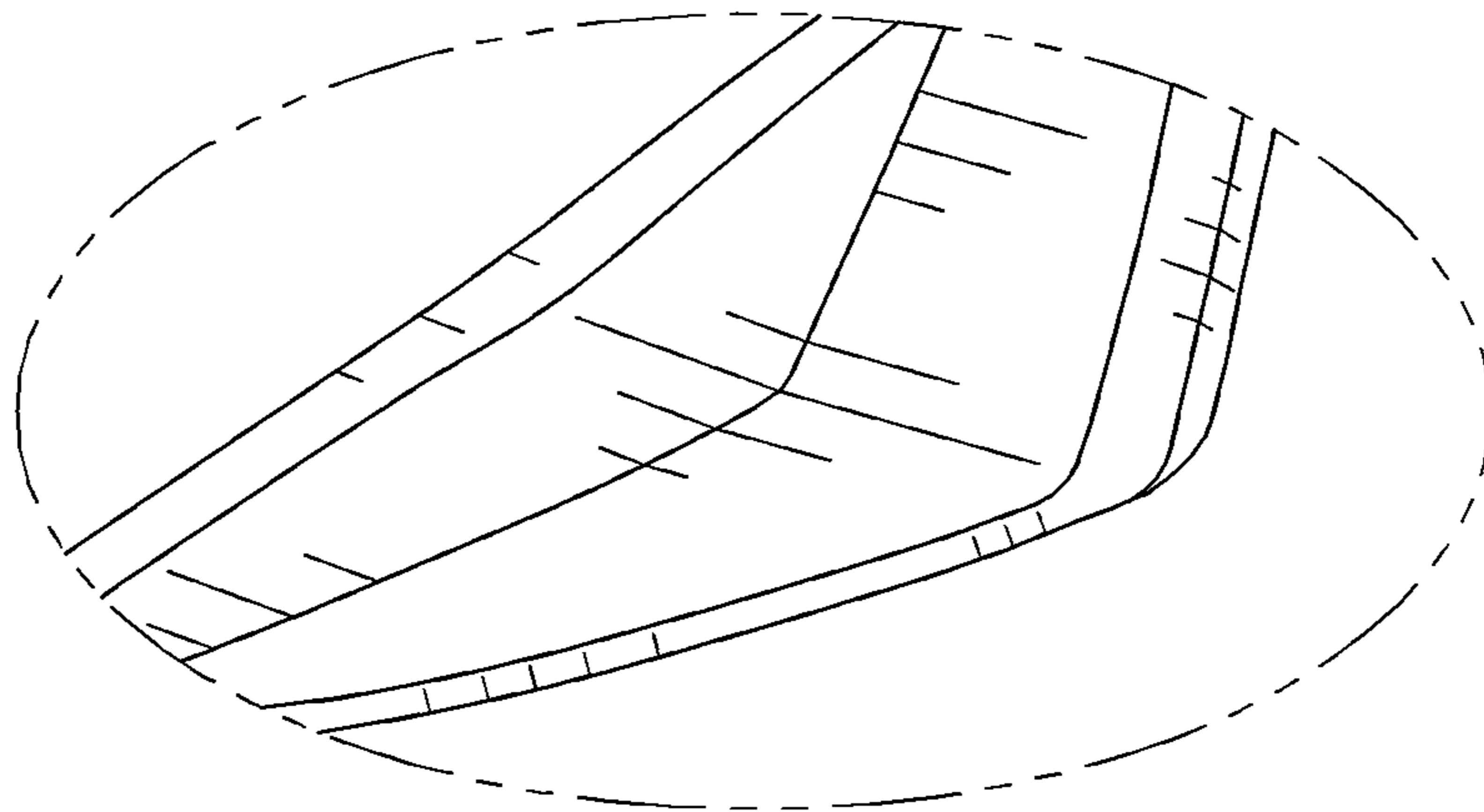
FIG. 8



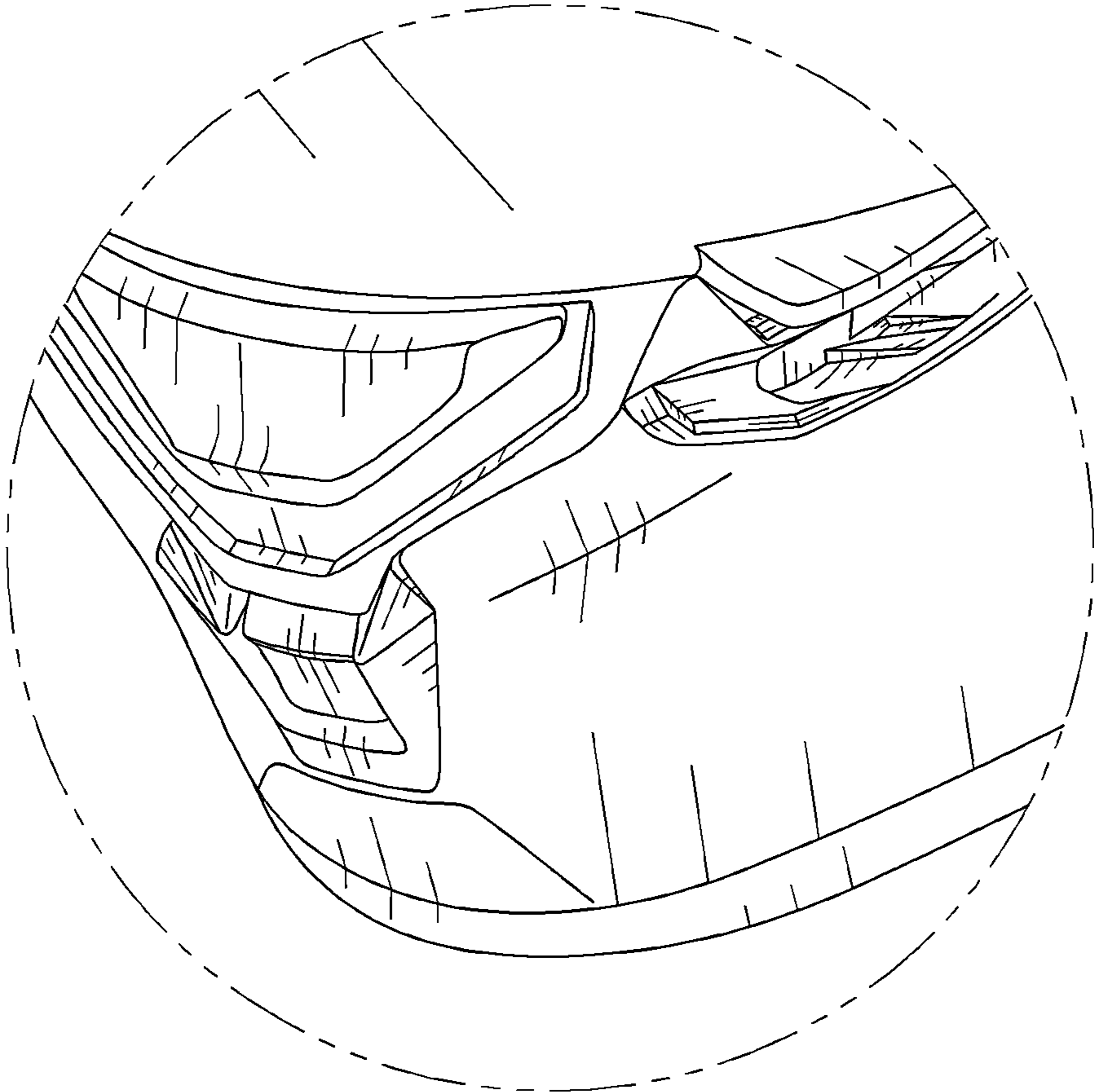
**FIG. 9**



**FIG. 10**

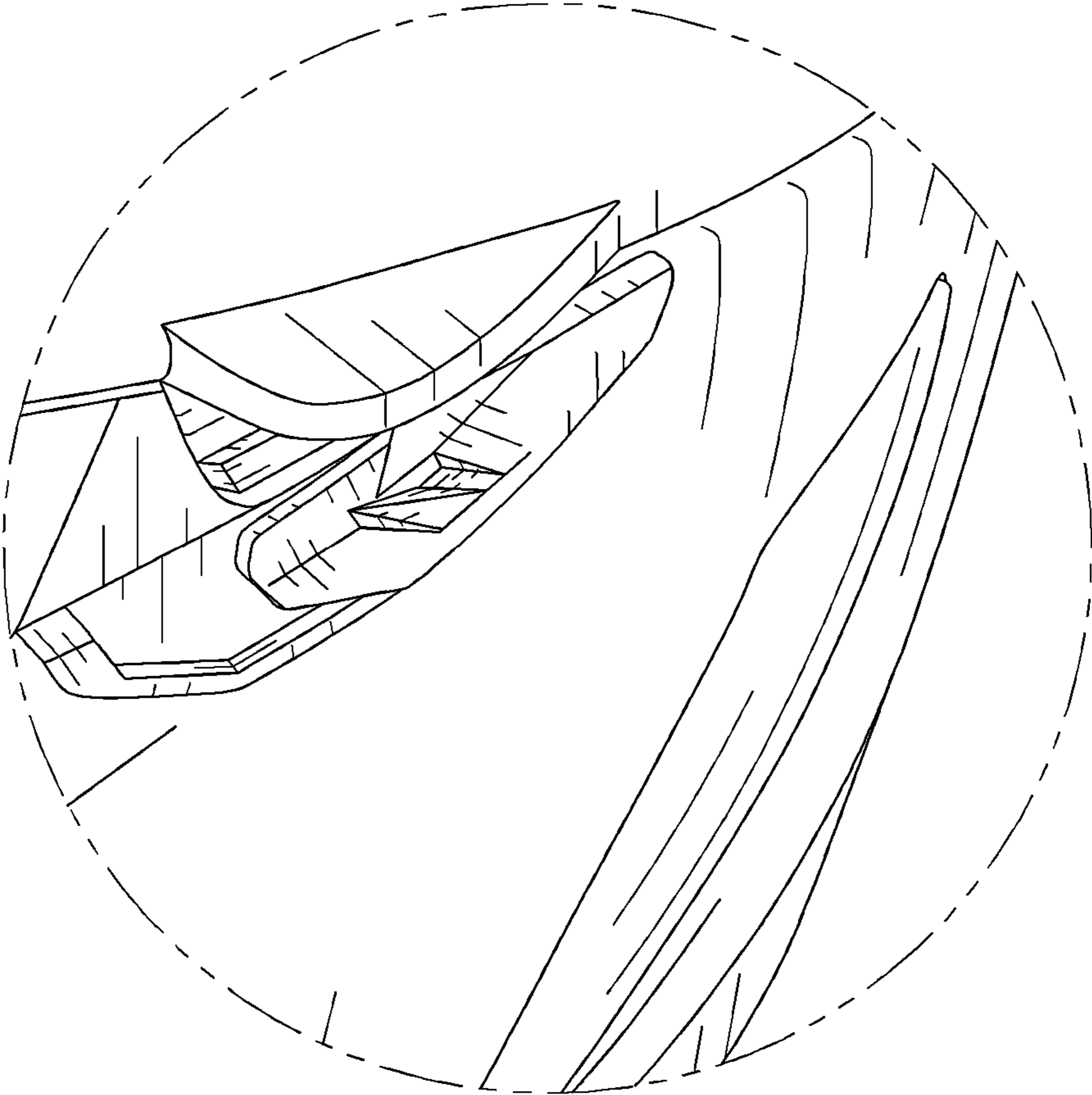


**FIG. 11**

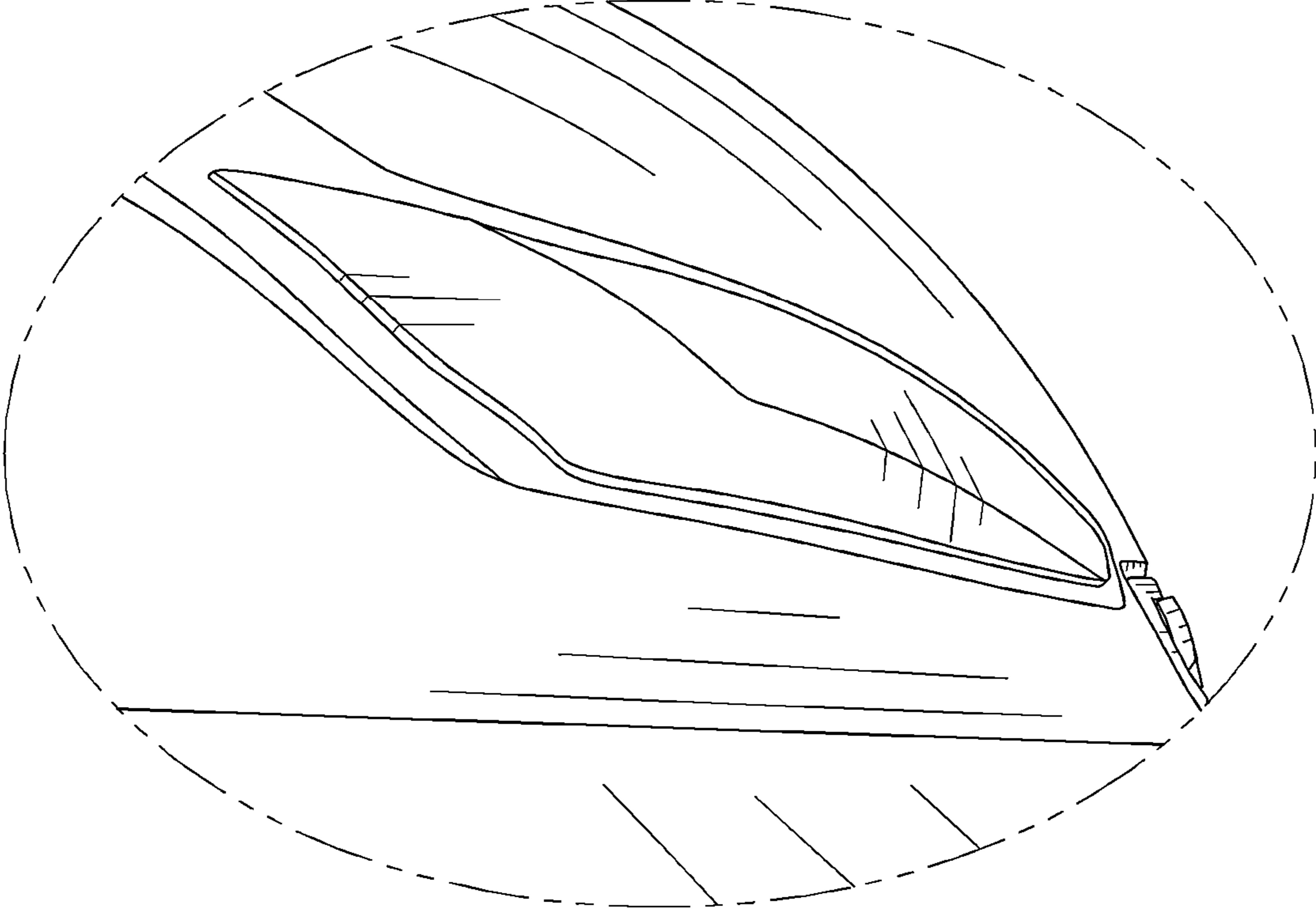




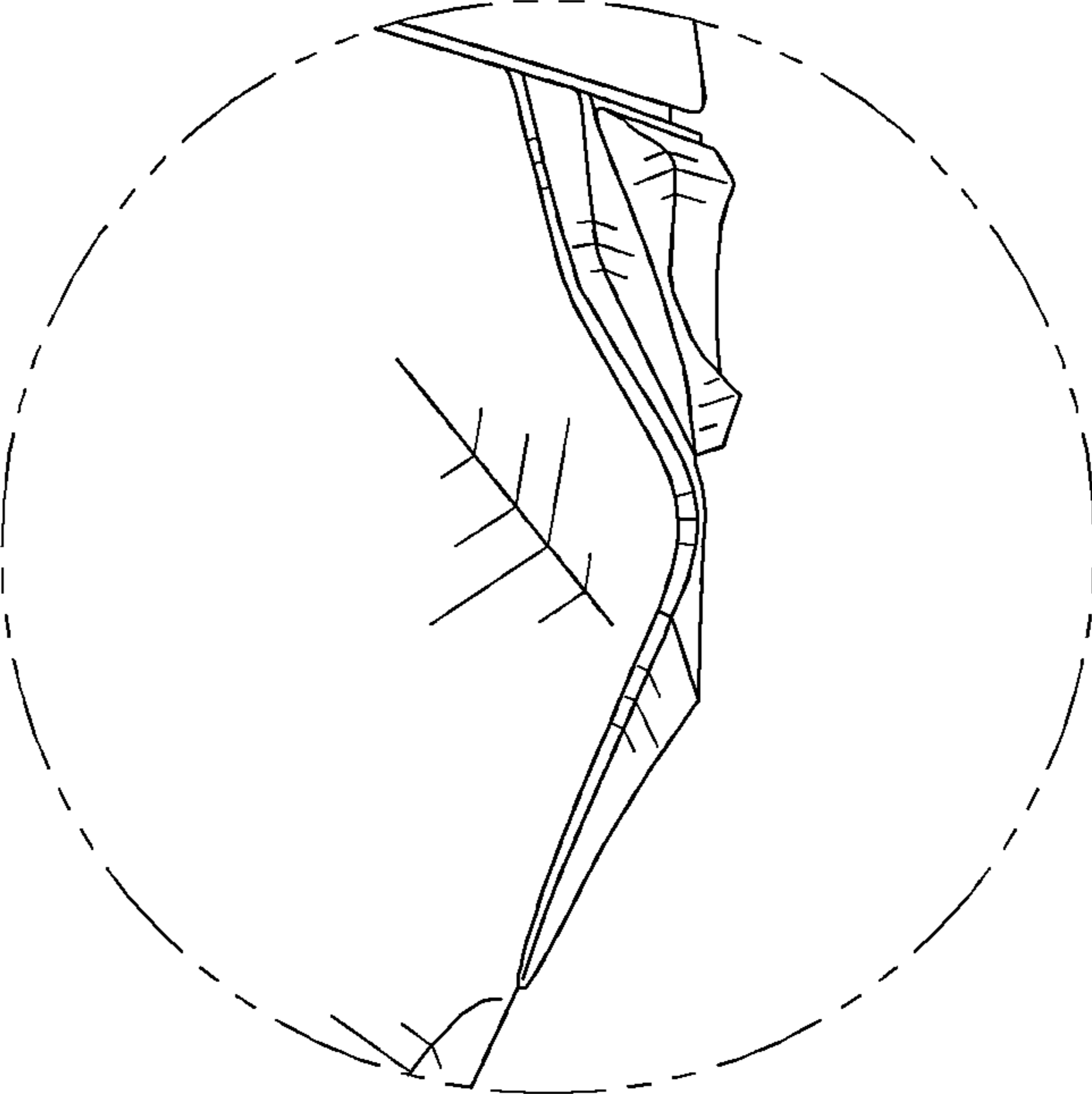
**FIG. 12**



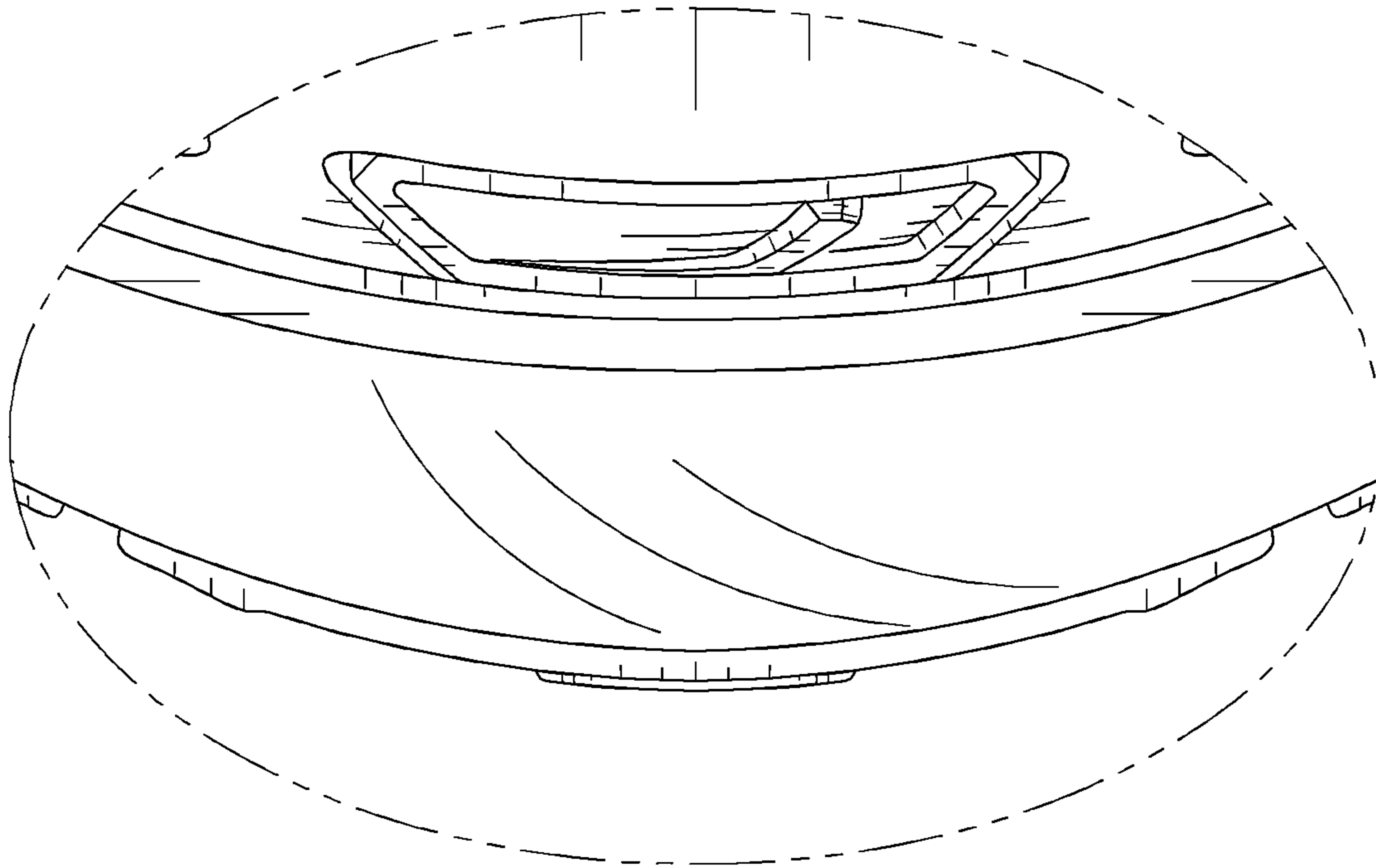
**FIG. 13**



**FIG. 14**



**FIG. 15**



**FIG. 16**

