



US0D1005599S

(12) **United States Design Patent** (10) **Patent No.:** **US D1,005,599 S**
Oliver (45) **Date of Patent:** **** Nov. 21, 2023**

(54) **MULTI-WIG STAND**

D911,620 S * 2/2021 Riddick D28/93
D912,905 S * 3/2021 Nnakwe D28/93
D950,989 S * 5/2022 Hunt D28/93

(71) Applicant: **Brittany Alexandra Oliver**, Chapel Hill, NC (US)

* cited by examiner

(72) Inventor: **Brittany Alexandra Oliver**, Chapel Hill, NC (US)

Primary Examiner — Zenia I Bennett
(74) *Attorney, Agent, or Firm* — QUICKPATENTS, LLC; Kevin Prince

(**) Term: **15 Years**

(21) Appl. No.: **29/811,759**

(57) **CLAIM**

The ornamental design for a multi-wig stand, as shown and described.

(22) Filed: **Oct. 15, 2021**

(51) **LOC (14) Cl.** **28-03**

DESCRIPTION

(52) **U.S. Cl.**
USPC **D28/93**

(58) **Field of Classification Search**
USPC D28/93; D20/10; D6/462, 682.1
CPC A45D 44/14; A47F 7/06
See application file for complete search history.

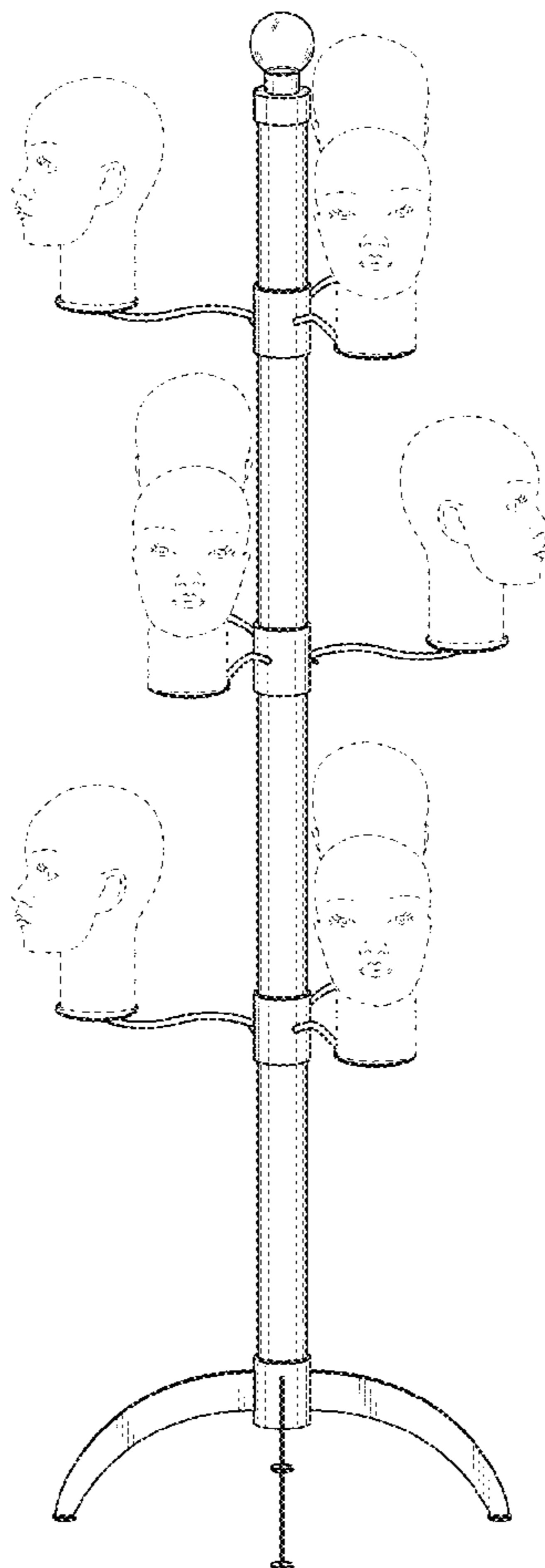
FIG. 1 is a perspective view of a multi-wig stand, showing my new design;
FIG. 2 is a front elevational view thereof;
FIG. 3 is a rear elevational view thereof;
FIG. 4 is a left-side elevational view thereof;
FIG. 5 is a right-side elevational view thereof;
FIG. 6 is a top plan view thereof; and,
FIG. 7 is a bottom plan view thereof.
The broken lines showing wig mannequins in FIG. 1 depict environmental matter and form no part of the claimed design.

(56) **References Cited**

U.S. PATENT DOCUMENTS

D538,064 S * 3/2007 Schechter D6/674.1
D719,769 S * 12/2014 Daniels D6/682.1
D842,549 S * 3/2019 Ndu D28/93
D863,688 S * 10/2019 Ndu D28/93

1 Claim, 6 Drawing Sheets



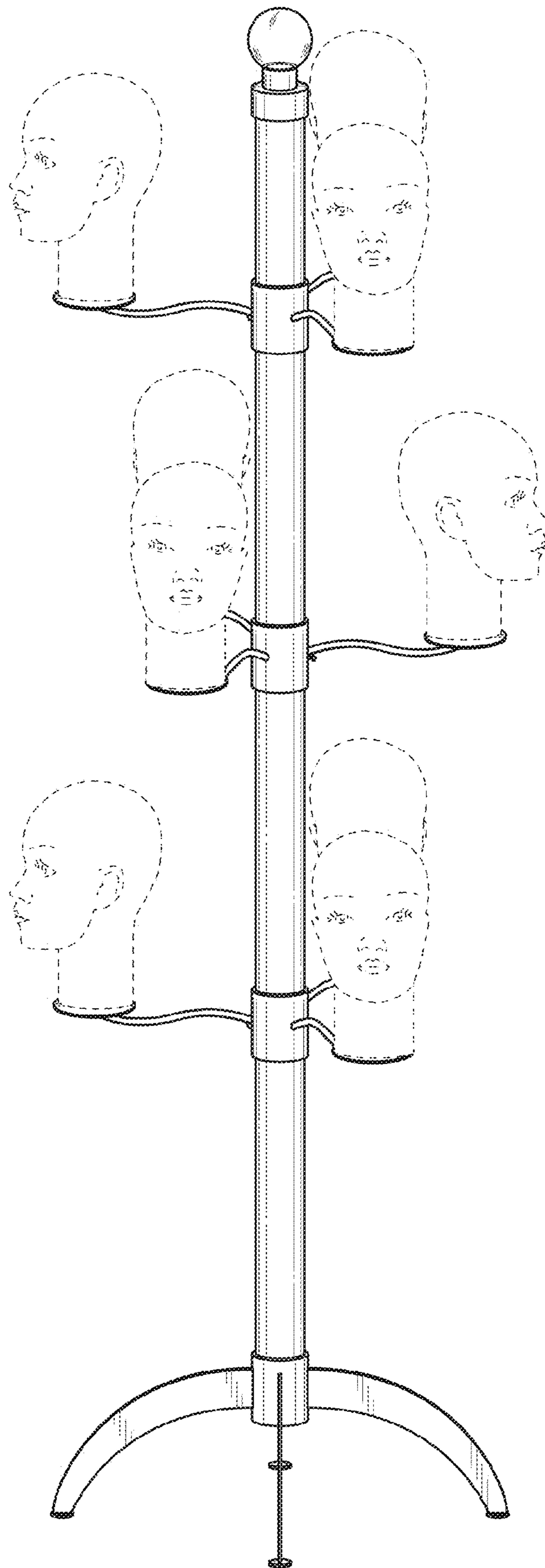


FIG. 1

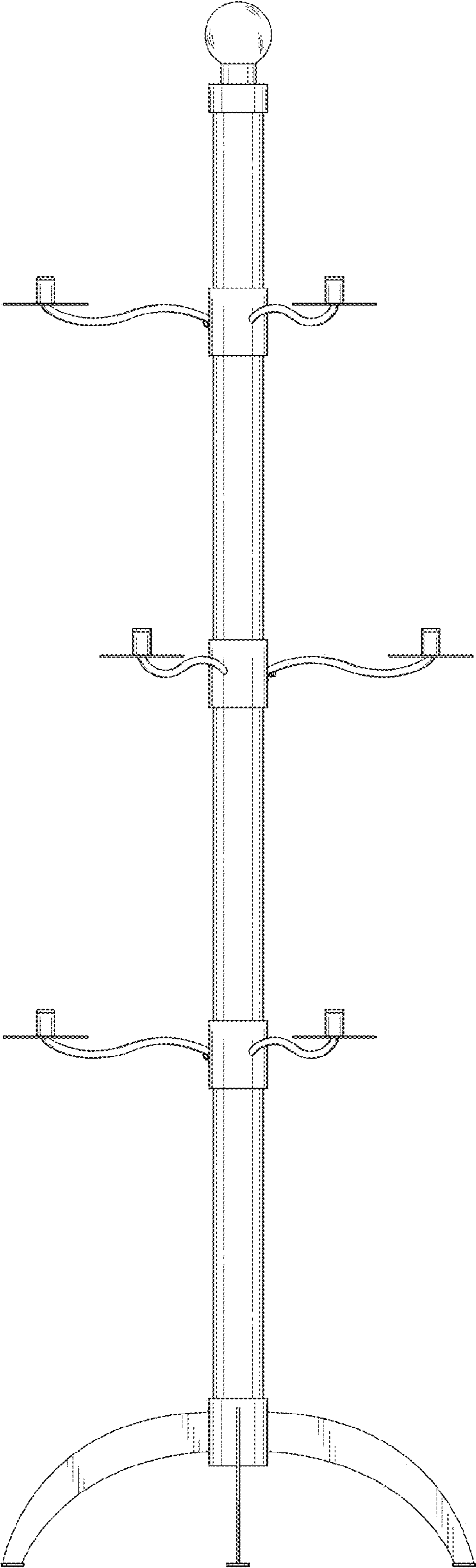


FIG. 2

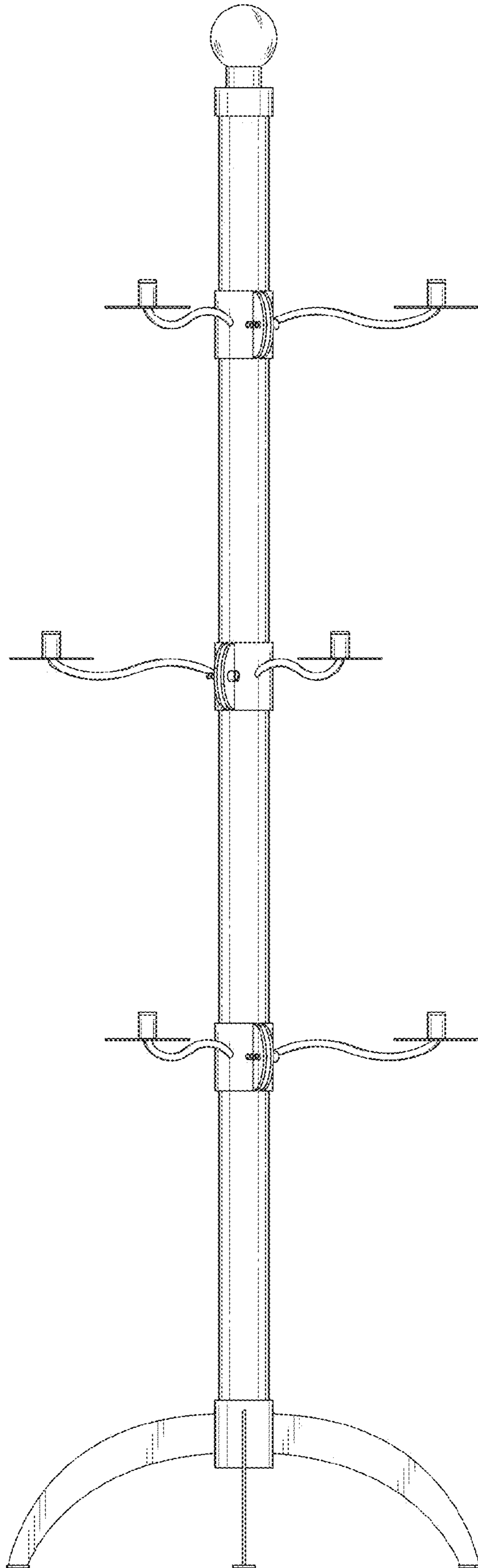


FIG. 3

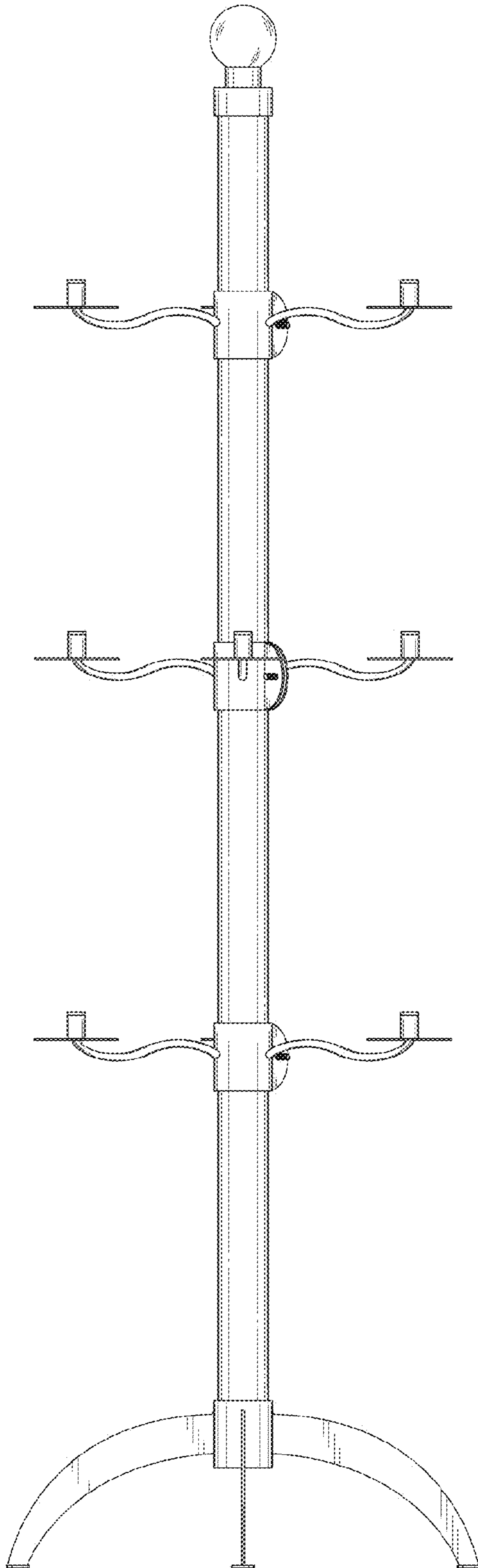


FIG. 4

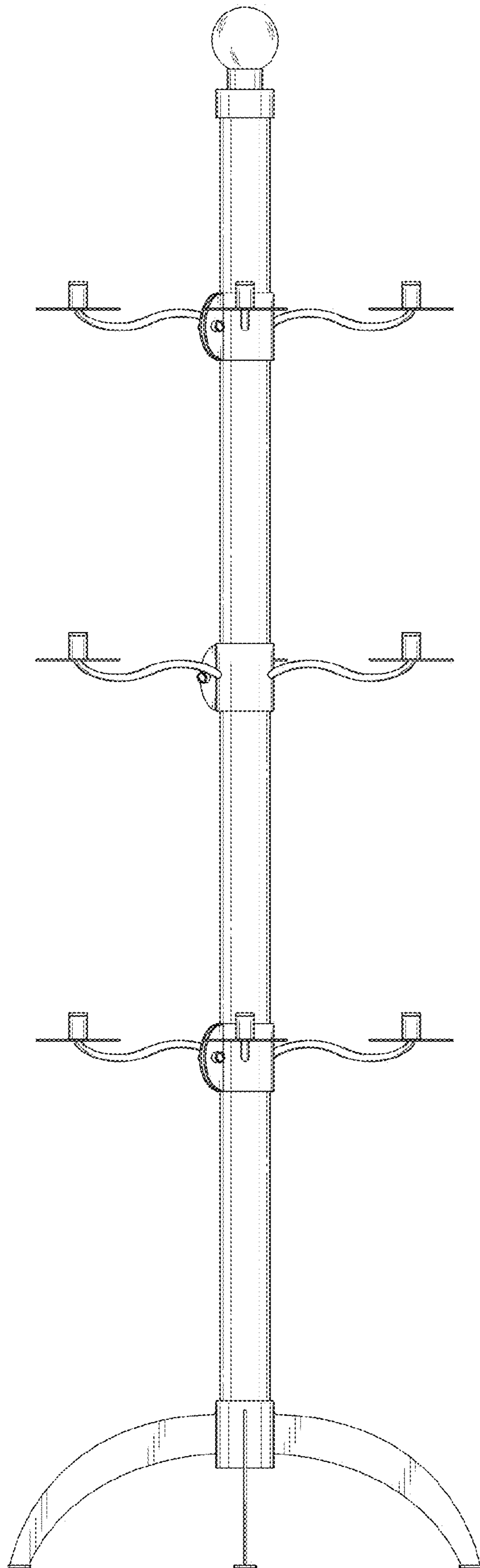


FIG. 5

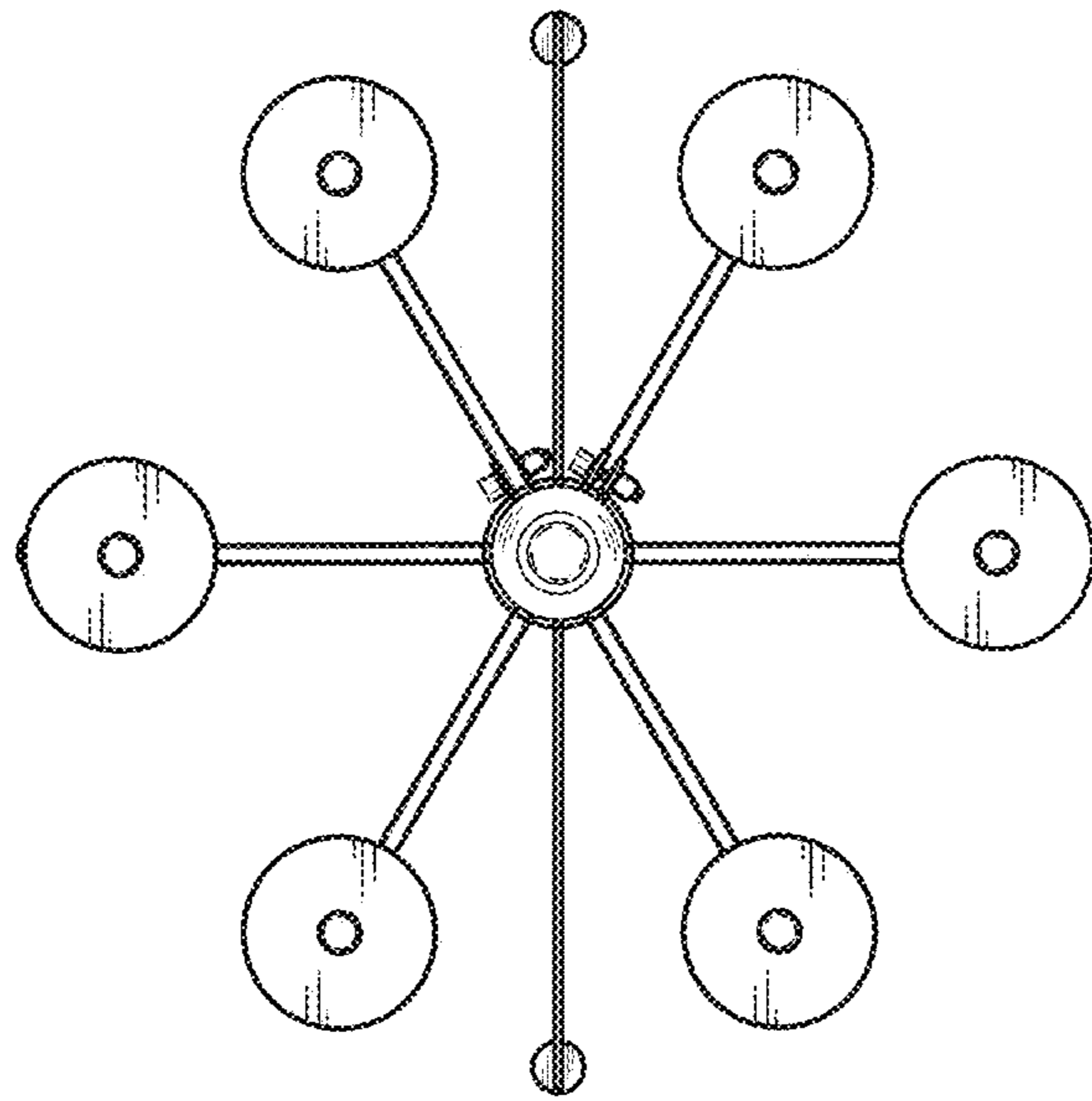


FIG. 6

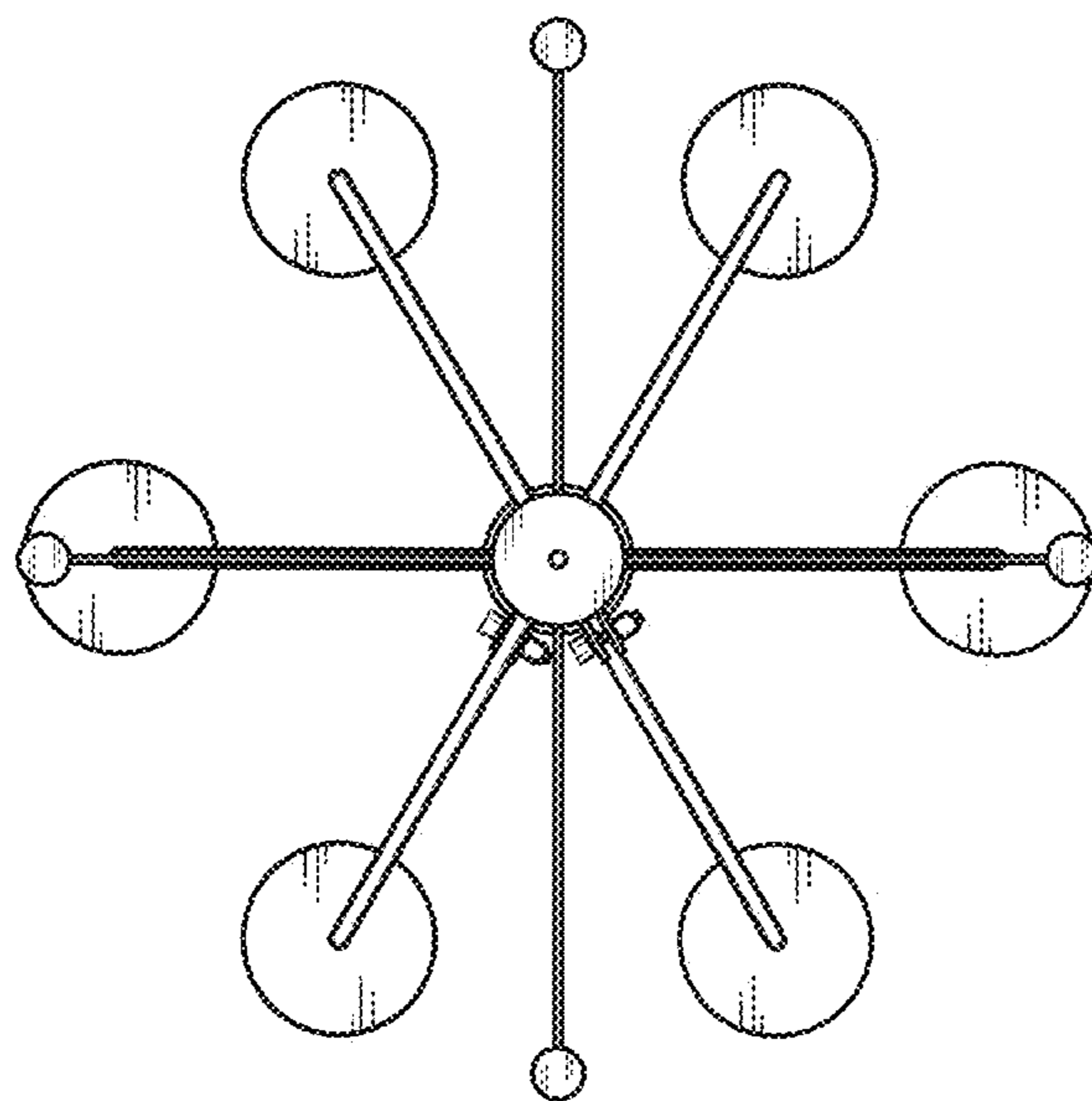


FIG. 7