



US0D1005395S

(12) **United States Design Patent** (10) **Patent No.:** **US D1,005,395 S**
Marston (45) **Date of Patent:** **** Nov. 21, 2023**

(54) **SIGN HOLDER**

(71) Applicant: **Dale Marston**, Montrose, AL (US)

(72) Inventor: **Dale Marston**, Montrose, AL (US)

(**) Term: **15 Years**

(21) Appl. No.: **29/801,427**

(22) Filed: **Jul. 28, 2021**

(51) **LOC (14) Cl.** **20-03**

(52) **U.S. Cl.**
USPC **D20/41; D20/43**

(58) **Field of Classification Search**
USPC D5/8; D6/300, 303, 657, 672, 673;
D8/354, 355, 363, 367, 373, 376;
D10/104.1, 104.2, 109.1, 109.2;
D14/126, 371, 374; D19/75, 86, 90, 91;
D20/10, 11, 16, 17, 18, 19, 22, 28, 27,
D20/31, 32, 39, 40, 41, 42, 43, 99;
D34/38; D13/102
CPC G09F 13/18; G09F 2013/184; G09F
2013/1872; G09F 2013/1877; G09F
13/20; G09F 13/22; G09F 13/02; G09F
7/00; G09F 2007/007; G09F 7/02; G09F
9/00; G09F 19/00; G09F 15/00; G09F
15/0006; G09F 15/0037

See application file for complete search history.

(56) **References Cited**

U.S. PATENT DOCUMENTS

- 877,782 A * 1/1908 Kriete B42F 9/00
D19/86
- 1,664,415 A * 4/1928 Herzog G09F 3/16
24/336
- 2,664,977 A 1/1954 Starcevich
- 2,870,793 A * 1/1959 Bailey H02G 7/20
174/45 R
- 3,171,626 A 3/1965 Keats
- 3,574,104 A * 4/1971 Medler B29C 70/085
273/DIG. 7
- 3,958,351 A 5/1976 Summey

- 4,219,179 A 8/1980 Silbernagel
- 4,717,110 A * 1/1988 Fohrman G09F 7/20
40/607.1
- 4,910,902 A * 3/1990 Anderson G09F 7/18
40/607.08
- 5,174,537 A * 12/1992 Mazzorato A47G 25/1421
248/340

(Continued)

OTHER PUBLICATIONS

Layshaft, posted at octagonparts.nl, posted on Nov. 28, 2017, site visited Jun. 7, 2023. online, available from internet: <https://www.octagonparts.nl/product/60a-layshaft-0-668-aftermarket/> (Year: 2017).*

(Continued)

Primary Examiner — Catherine Ho
(74) *Attorney, Agent, or Firm* — ADAMS IP, LLC; James Adams; Stephen Thompson

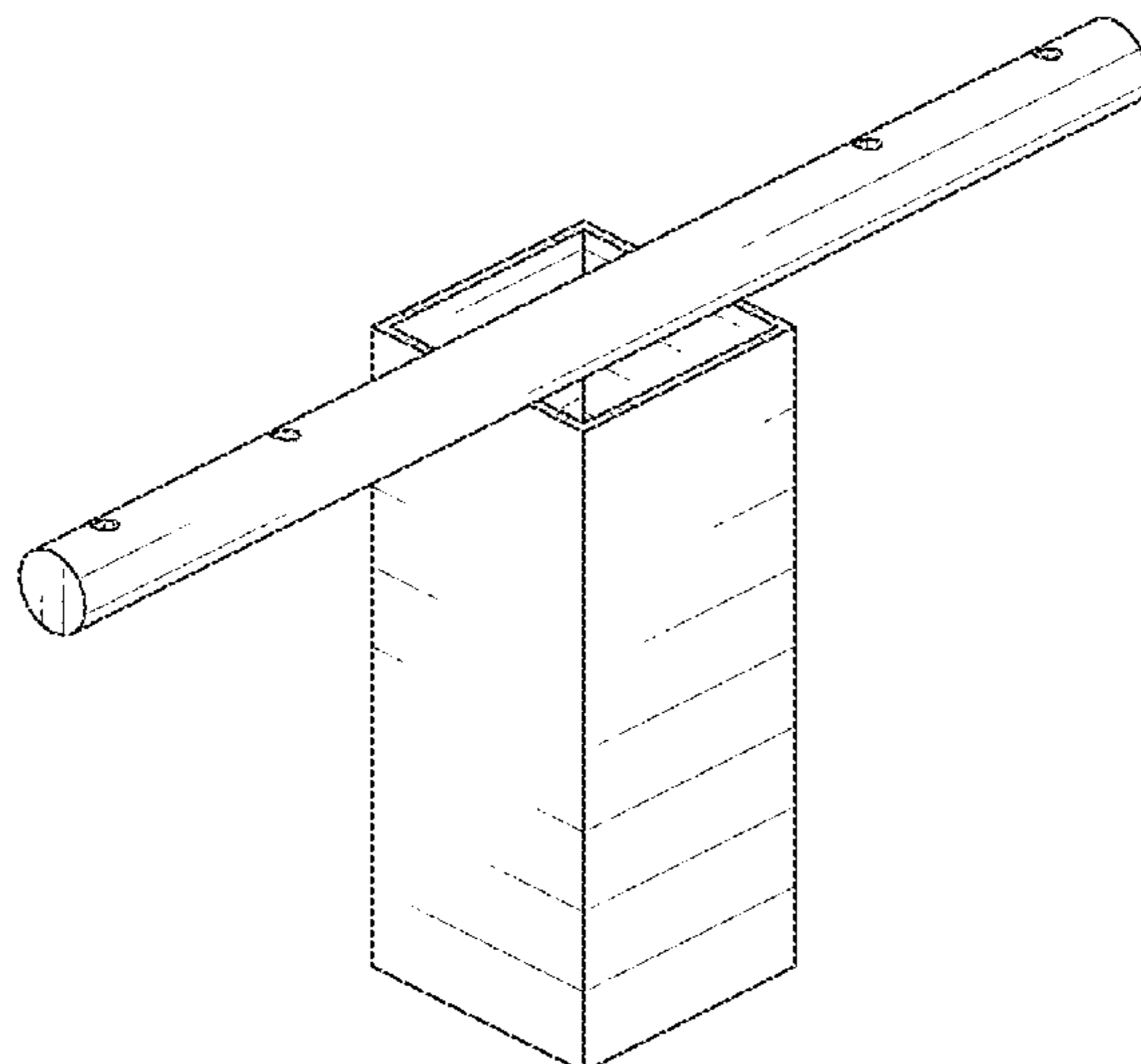
(57) **CLAIM**

The ornamental design for a sign holder, as shown and described.

DESCRIPTION

FIG. 1 is a top perspective view of a sign holder, showing my new design;
FIG. 2 is a front view thereof;
FIG. 3 is a rear view thereof;
FIG. 4 is a right side view thereof;
FIG. 5 is a left side view thereof;
FIG. 6 is a top view thereof;
FIG. 7 is a bottom view thereof;
FIG. 8 is a bottom perspective view thereof; and,
FIG. 9 is a top perspective view of a sign holder shown in an environment of use.
The broken lines in FIG. 9 show environment and form no part of the claimed design.

1 Claim, 6 Drawing Sheets



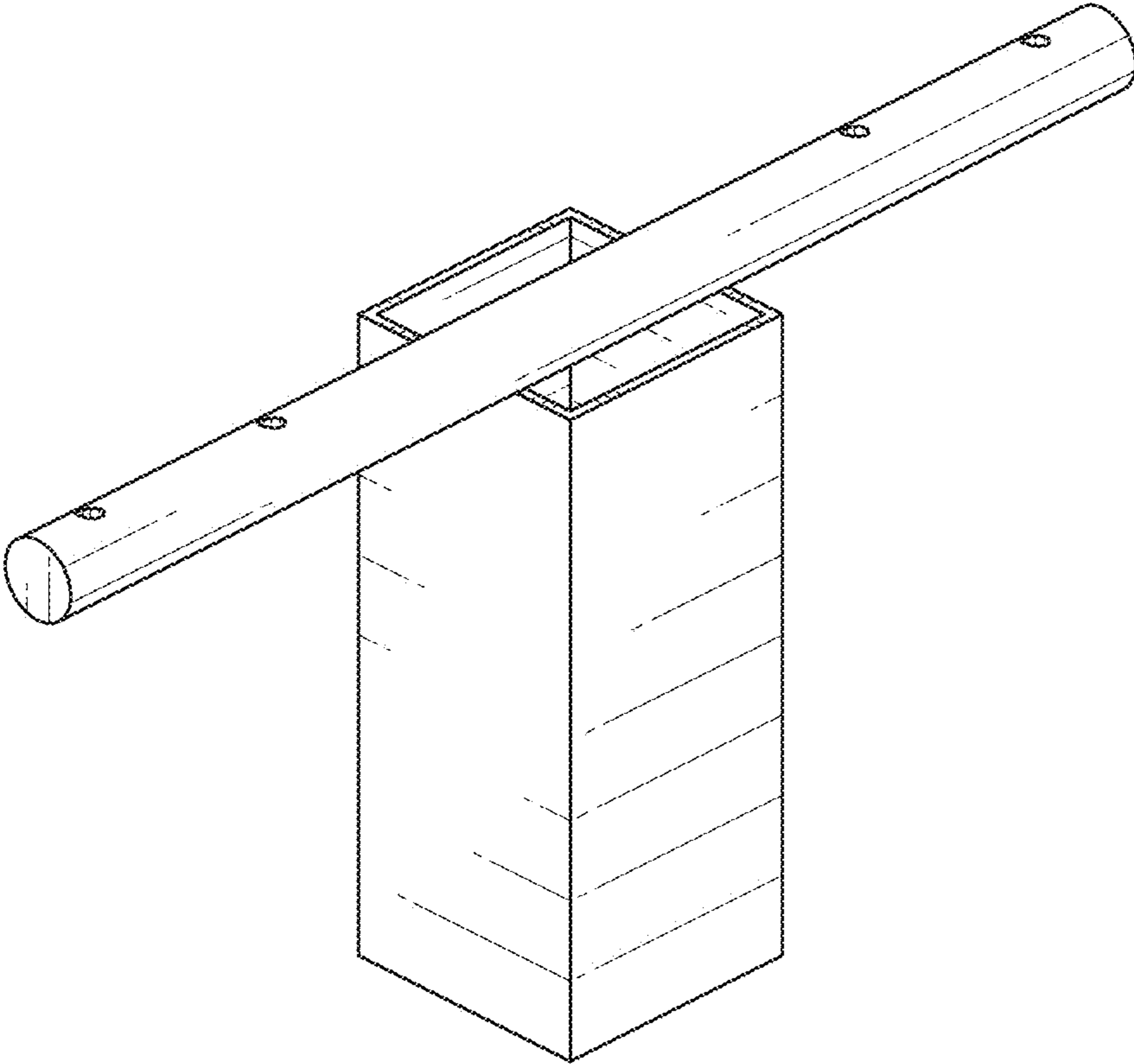


FIG. 1

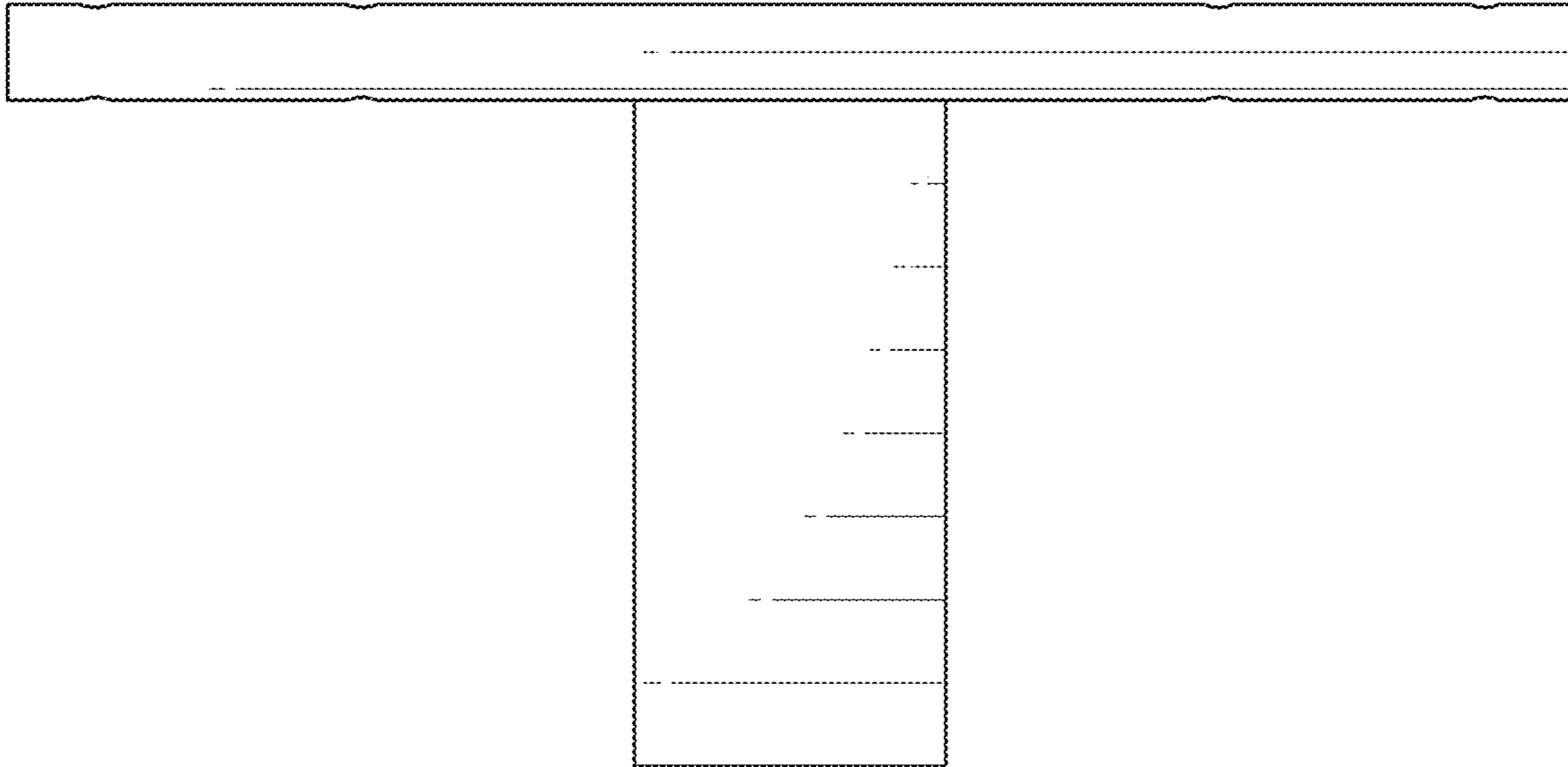


FIG. 2

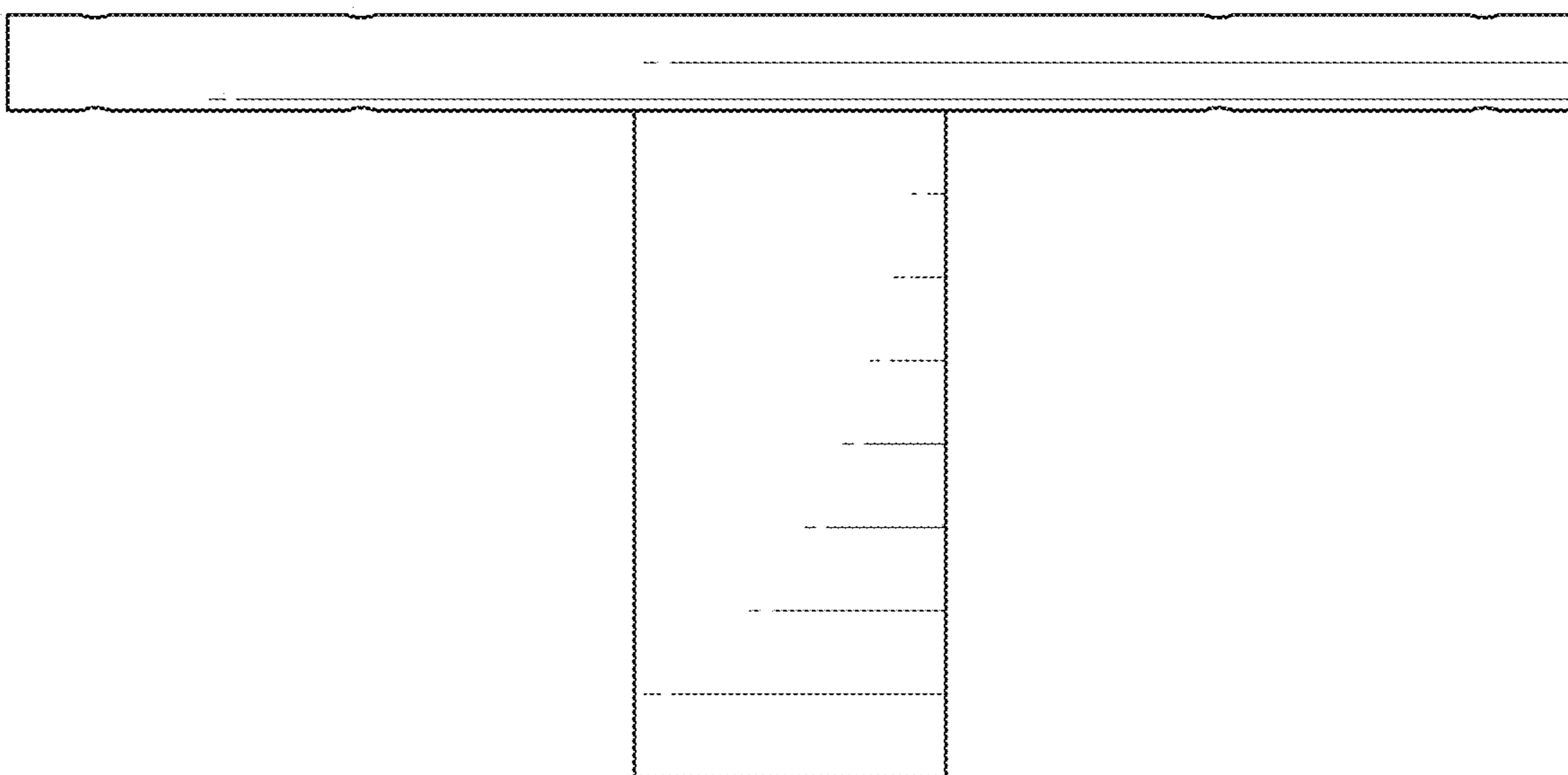


FIG. 3

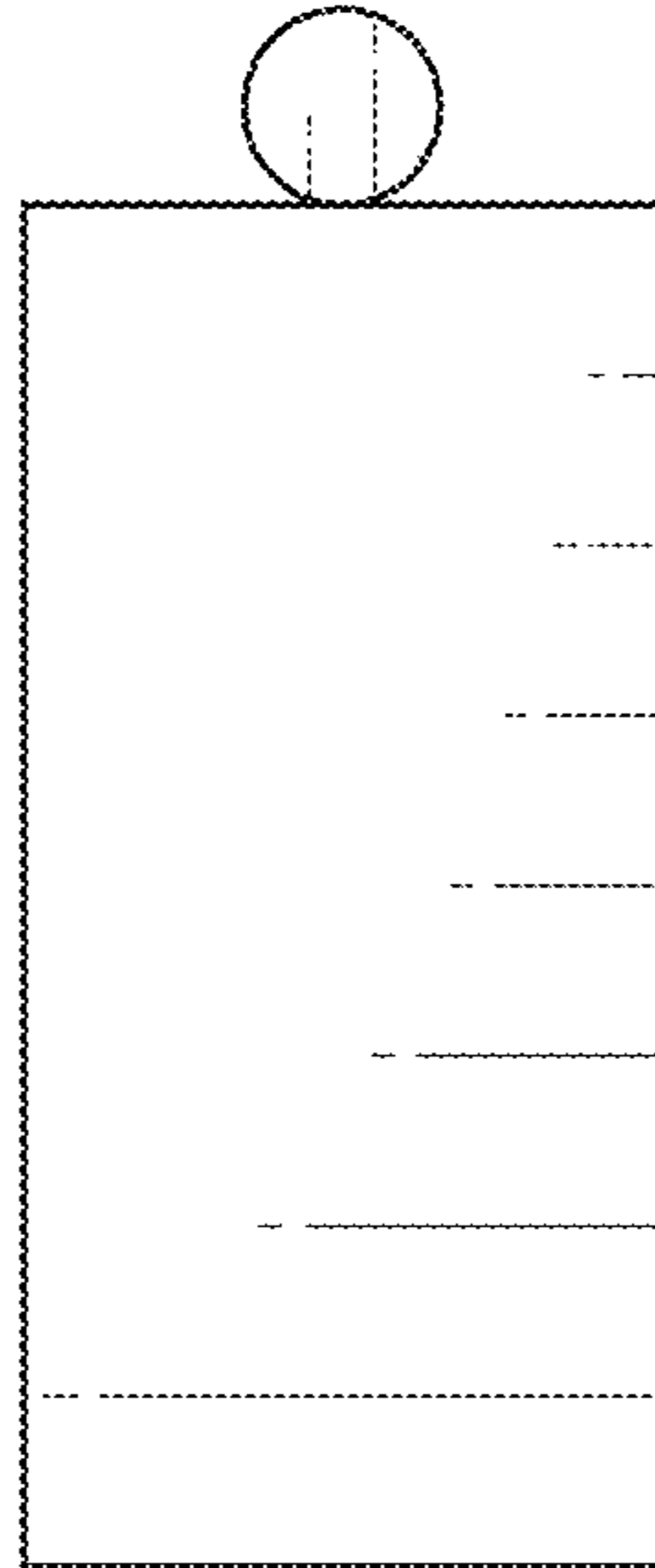


FIG. 4

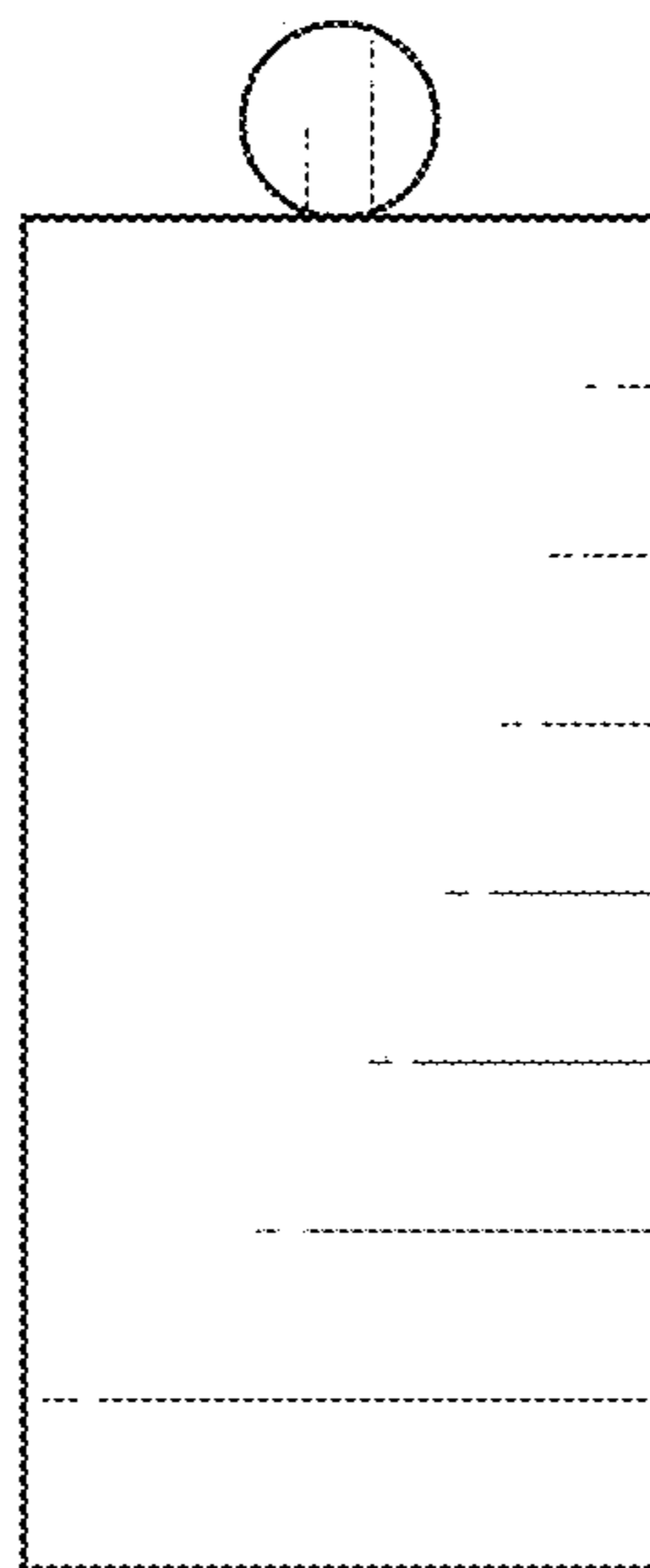


FIG. 5

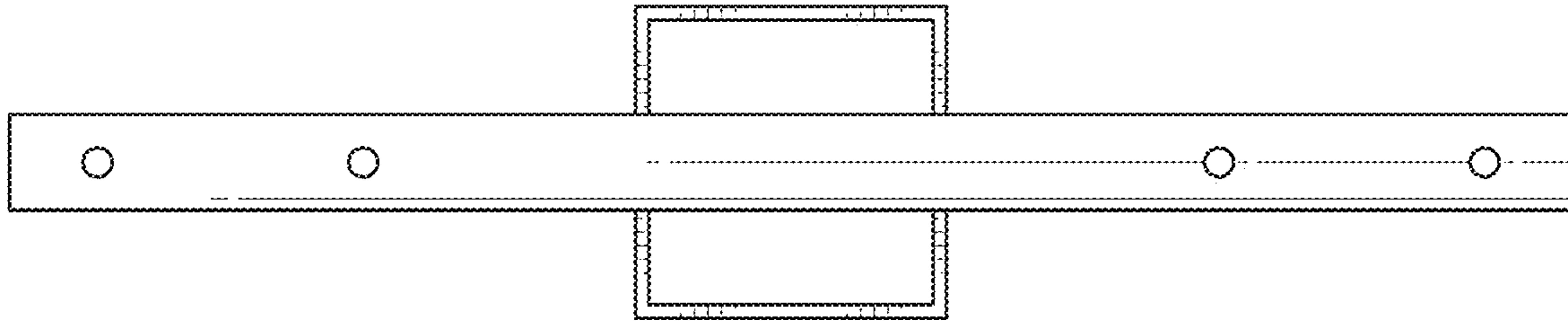


FIG. 6

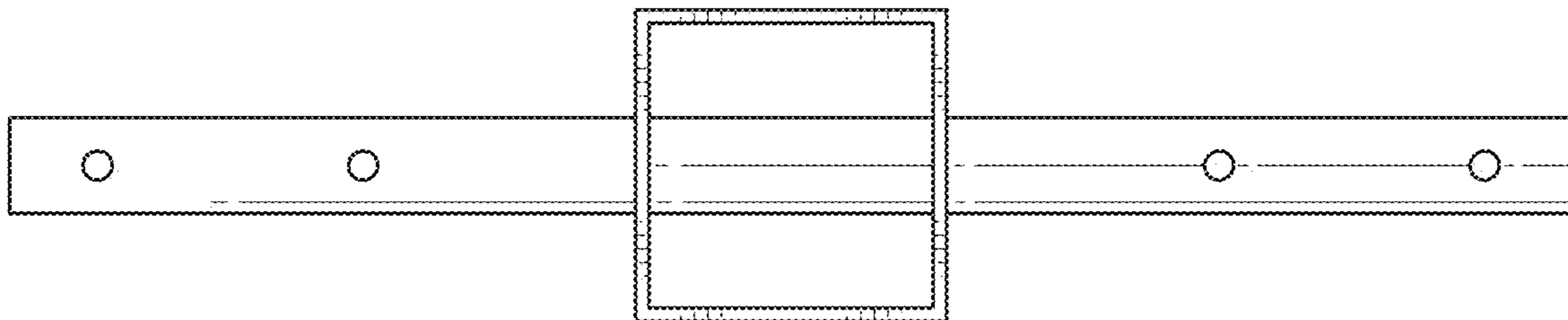


FIG. 7

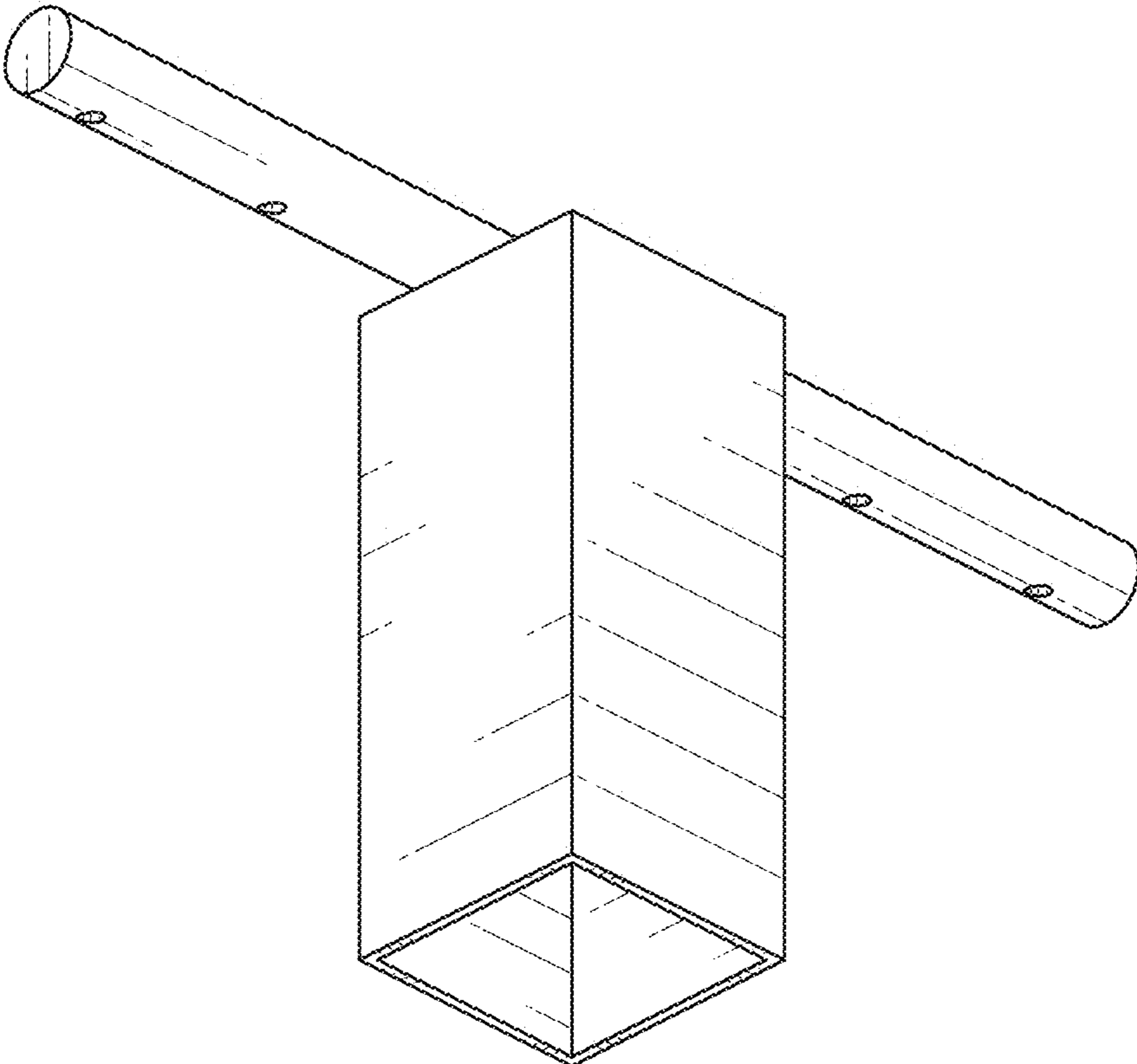


FIG. 8

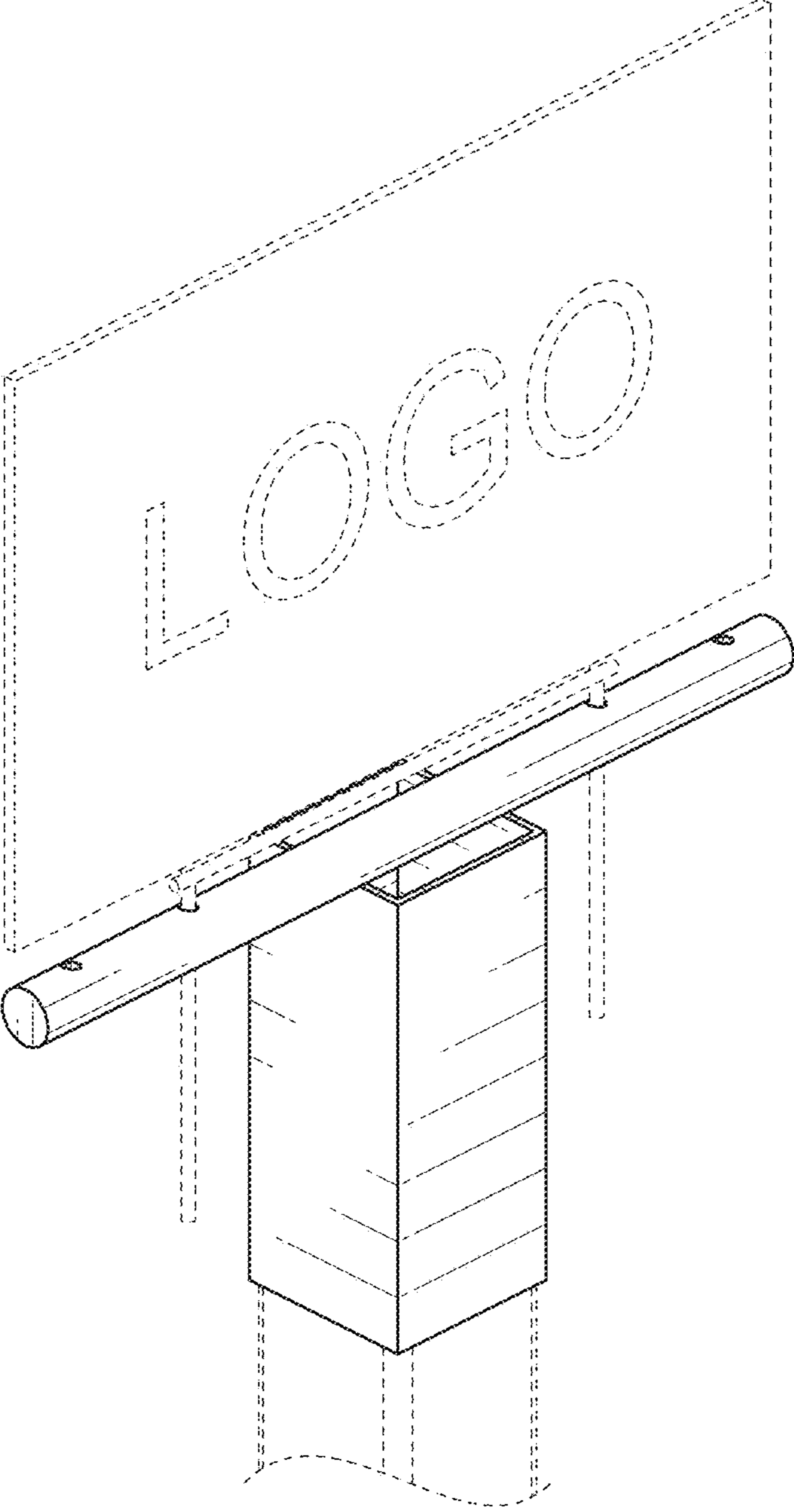


FIG. 9