



US0D1005389S

(12) **United States Design Patent** (10) **Patent No.:** **US D1,005,389 S**
Edwards (45) **Date of Patent:** **** Nov. 21, 2023**

(54) **DABBER**

(71) Applicant: **Samuel Edwards**, Los Angeles, CA
(US)

(72) Inventor: **Samuel Edwards**, Los Angeles, CA
(US)

(**) Term: **15 Years**

(21) Appl. No.: **29/812,796**

(22) Filed: **Oct. 25, 2021**

(51) **LOC (14) Cl.** **19-99**

(52) **U.S. Cl.**
USPC **D19/66; D9/723**

(58) **Field of Classification Search**
USPC D19/66, 43, 57, 53, 69; D9/453, 503,
D9/452, 447, 444, 724, 520, 524, 739,
D9/432, 428, 422, 723; D27/193;
D28/7; D10/119; D24/147
CPC B05C 5/02; B43M 11/06; B65D 47/248
See application file for complete search history.

(56) **References Cited**

U.S. PATENT DOCUMENTS

D29,288 S *	8/1898	Blase	D27/196
2,575,431 A *	11/1951	Smith	A01N 1/00
				401/124
D321,717 S *	11/1991	Hager	D19/903
D370,497 S *	6/1996	Moore	D26/38
D419,704 S *	1/2000	Ting	D26/37
D429,830 S *	8/2000	Ting	D26/37
6,264,389 B1 *	7/2001	Ducharme	B43K 29/00
				401/116
D449,857 S *	10/2001	Rosenbaum	D3/208
D470,885 S *	2/2003	Tahara	D19/117
D474,239 S *	5/2003	Rosenbaum	D3/208
D548,633 S *	8/2007	Vantine	D10/89
D686,619 S *	7/2013	Liu	D14/411
D693,901 S *	11/2013	Zwaan	D19/66

D716,871 S *	11/2014	Chang	D19/117
D942,060 S *	1/2022	Luo	D26/37
D946,799 S *	3/2022	Yang	D26/49
D975,326 S *	1/2023	Wang	D26/38
2005/0226679 A1 *	10/2005	Lin	G02B 27/20
				401/195
2015/0022503 A1 *	1/2015	Chang	B43K 23/12
				345/179

OTHER PUBLICATIONS

Onlykxy Ear Wax Removal Tool, Amazon.com, published Jan. 12, 2020, retrieved Jun. 23, 2023, U.S. Appl. No. 29/812,796—<https://shorturl.at/kruL6> (Year: 2020).*

* cited by examiner

Primary Examiner — Nicole C Shiflet
Assistant Examiner — Danielle Nichole Bowly
(74) *Attorney, Agent, or Firm* — Kevin Keener; Keener and Associates

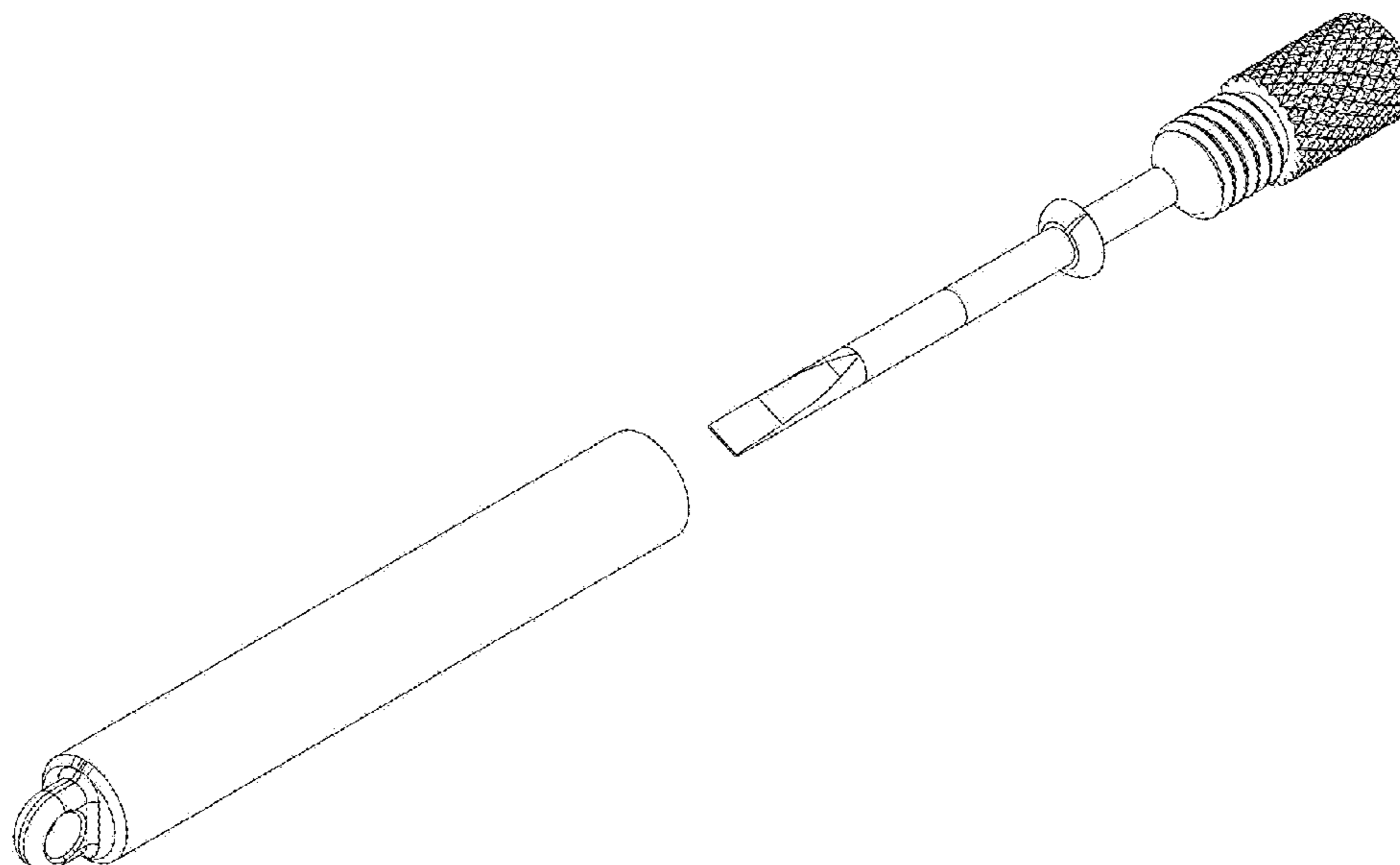
(57) **CLAIM**

The ornamental design for a dabber, as shown and described.

DESCRIPTION

FIG. 1 is a first perspective view of the dabber in an assembled state;
FIG. 2 is a second perspective view of the dabber in an assembled state;
FIG. 3 is a first perspective view of the dabber in a disassembled state;
FIG. 4 is a second perspective view of the dabber in a disassembled state;
FIG. 5 is a front view of the dabber in an assembled state;
FIG. 6 is a left side view of the dabber in an assembled state;
FIG. 7 is a right side view of the dabber in an assembled state; and,
FIG. 8 is a top view of the dabber in an assembled state.

1 Claim, 8 Drawing Sheets



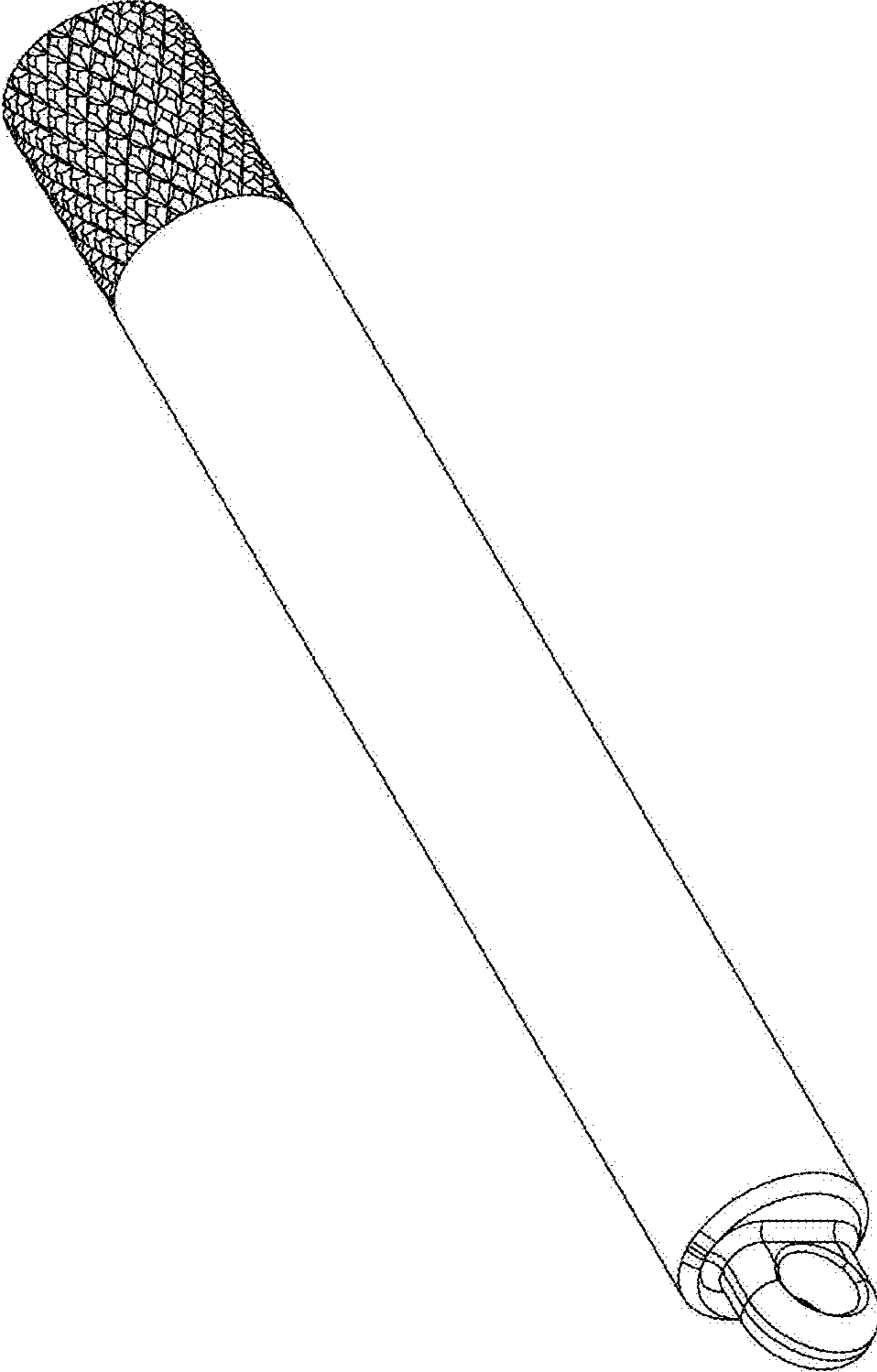


FIG. 1

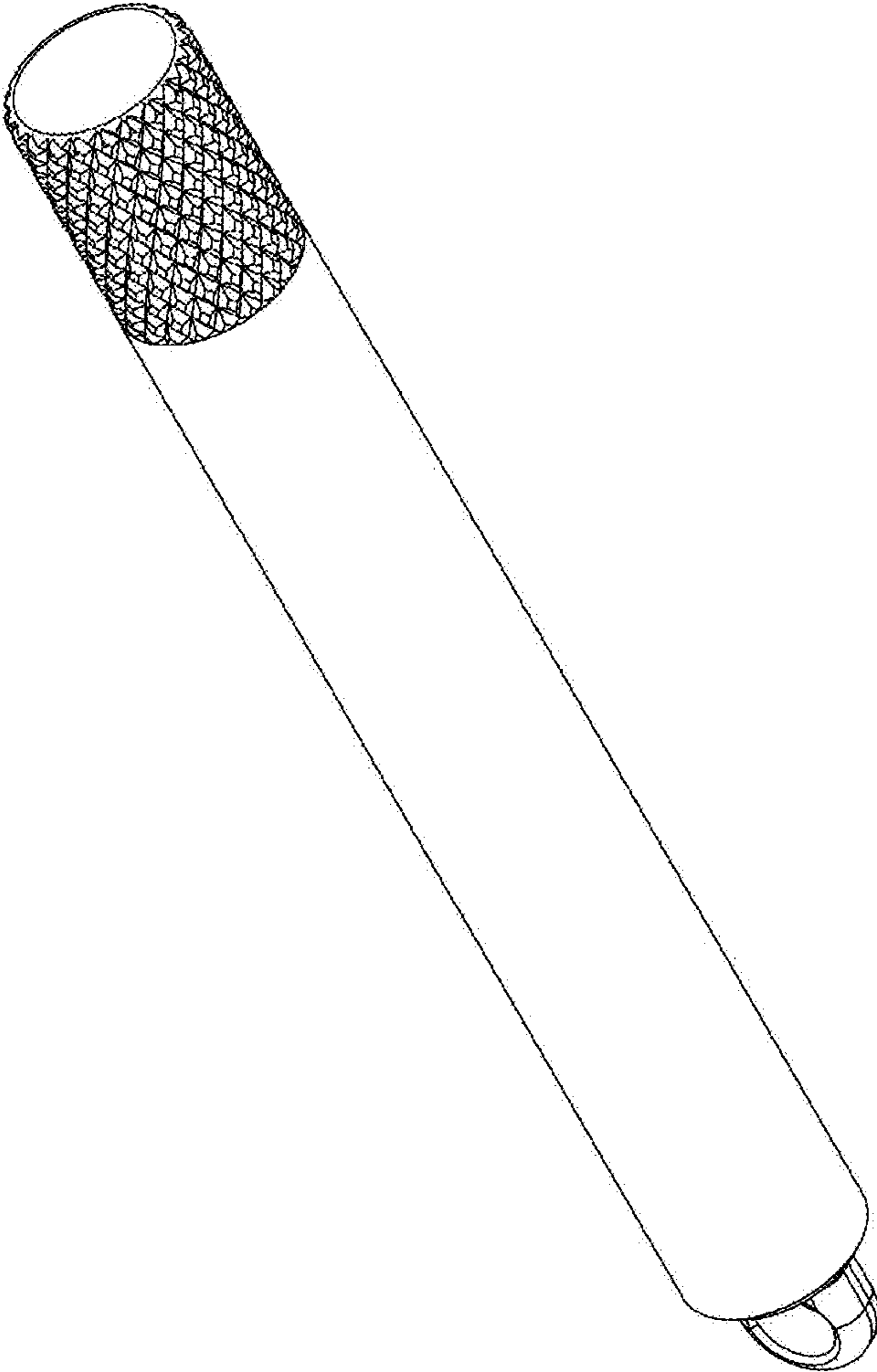


FIG. 2

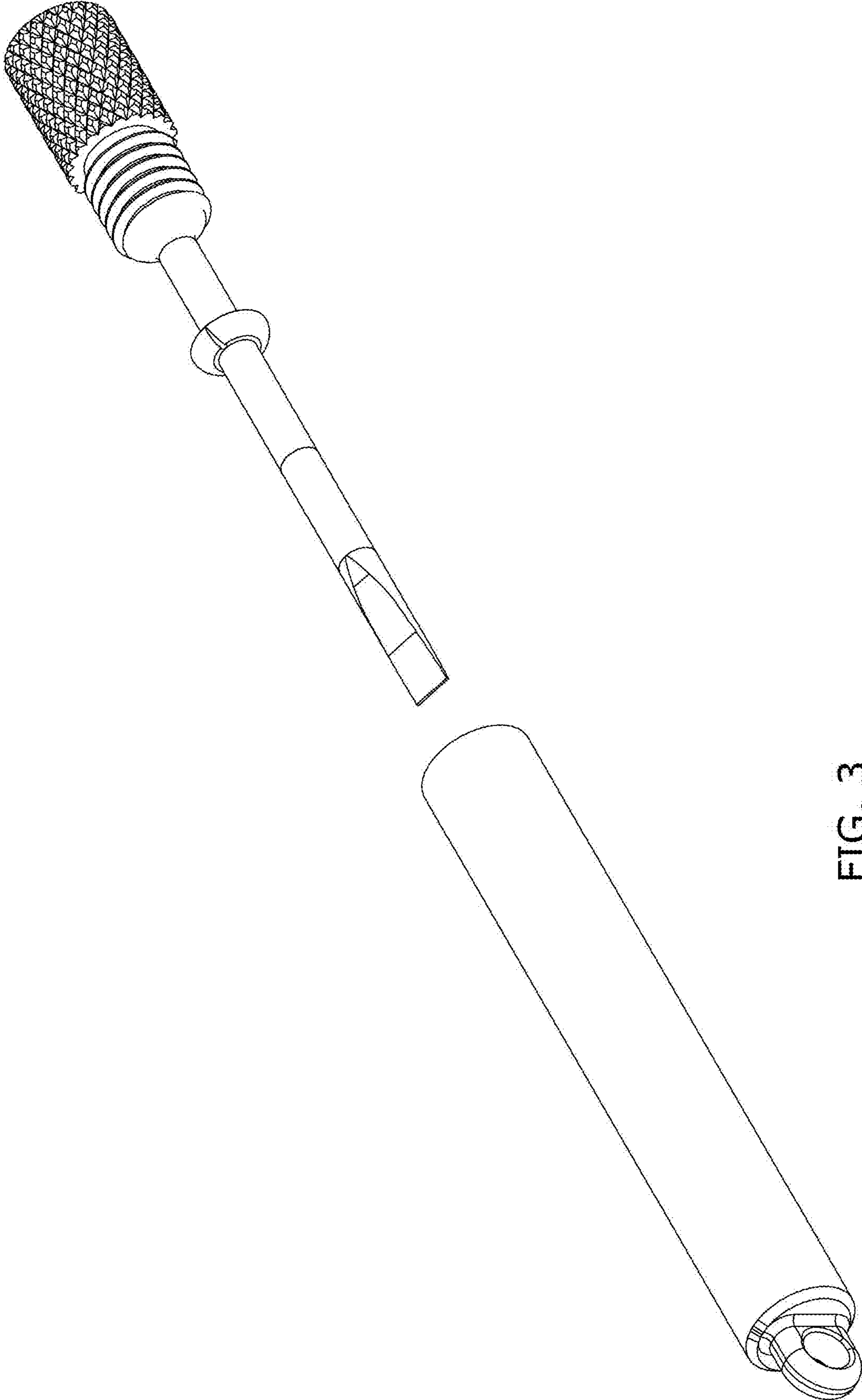


FIG. 3

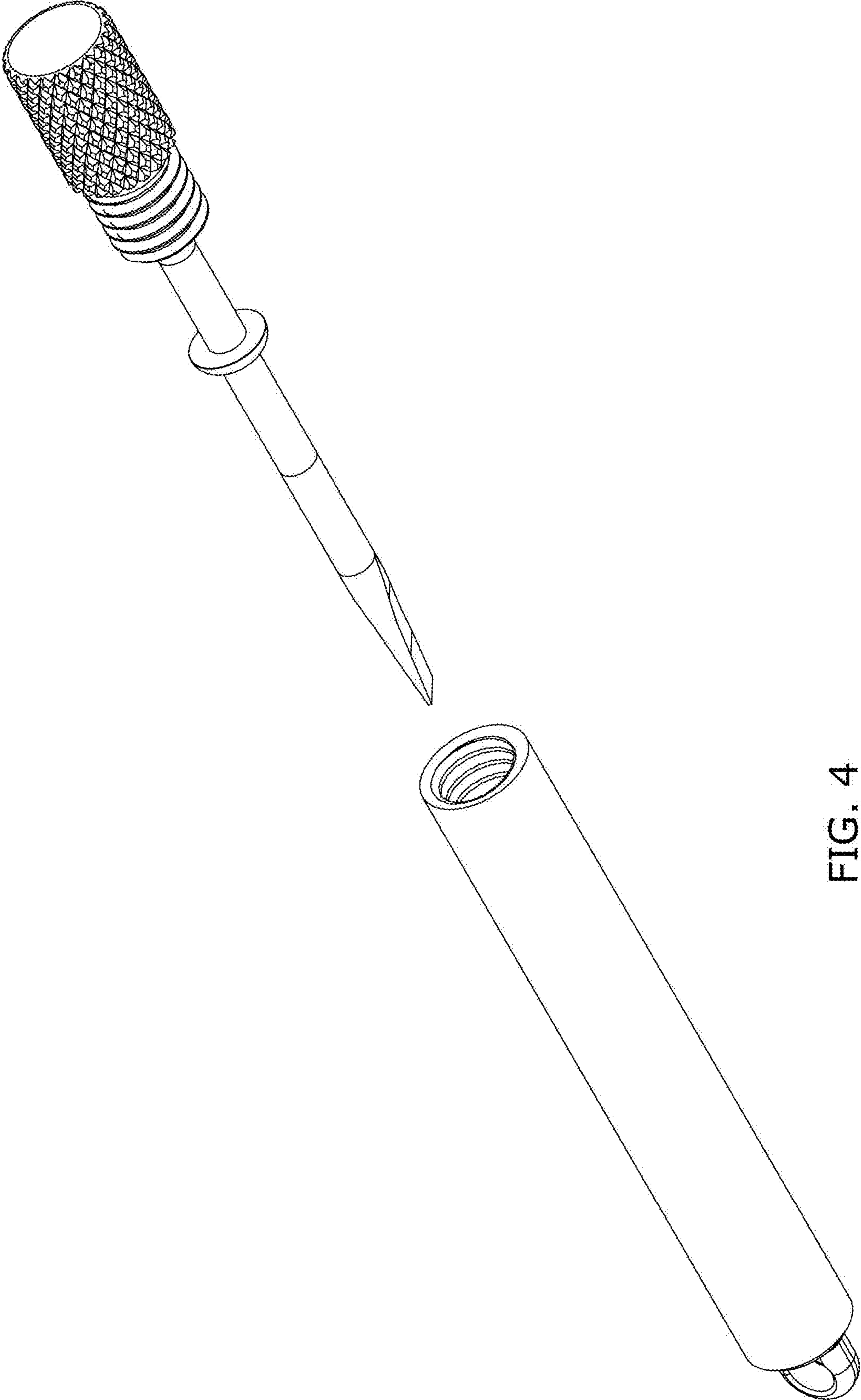


FIG. 4

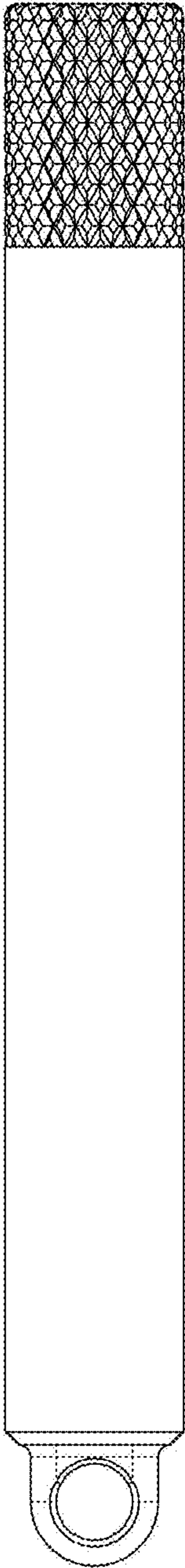


FIG. 5

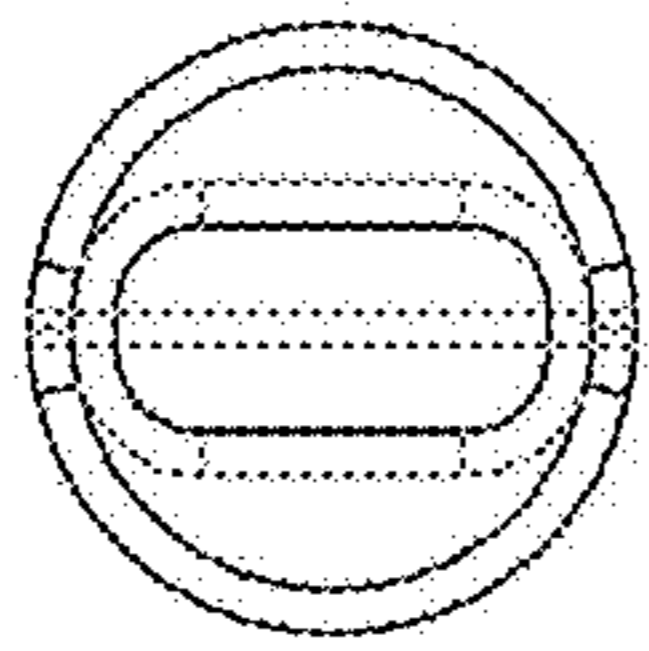


FIG. 6

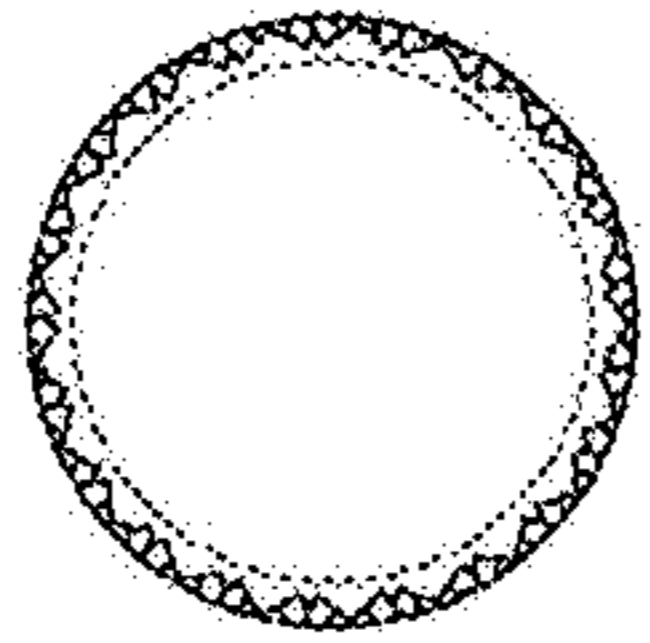


FIG. 7

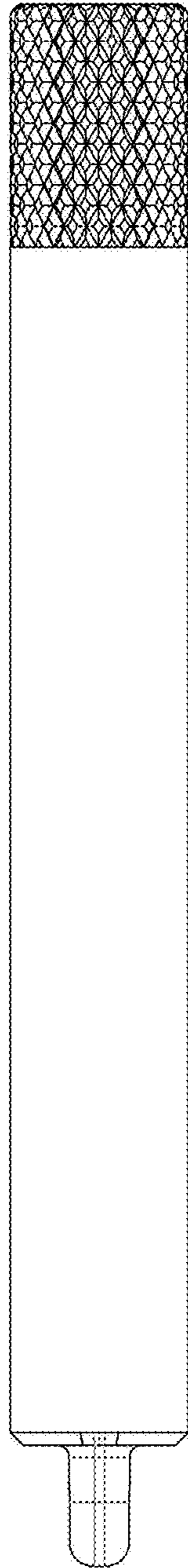


FIG. 8