



US0D1005010S

(12) **United States Design Patent** (10) **Patent No.:** **US D1,005,010 S**
Xu (45) **Date of Patent:** **** Nov. 21, 2023**

(54) **BATHROOM SHELF**

(71) Applicant: **Yijia Xu**, Chaozhou (CN)

(72) Inventor: **Yijia Xu**, Chaozhou (CN)

(73) Assignee: **Yijia Xu**, Chaozhou (CN)

(**) Term: **15 Years**

(21) Appl. No.: **29/910,639**

(22) Filed: **Aug. 22, 2023**

Related U.S. Application Data

(62) Division of application No. 29/879,340, filed on Jul. 6, 2023.

(51) **LOC (14) Cl.** **06-04**

(52) **U.S. Cl.**
USPC **D6/566; D6/525**

(58) **Field of Classification Search**

USPC D6/525, 320, 524, 533, 536, 537, 540,
D6/566, 567, 562, 574; D7/637;
211/13.1, 71.01, 74, 75, 86.01, 87.01,
211/88.01, 90.01, 90.03, 106, 119, 126.1,
211/133.5, 134, 181.1
CPC A47K 17/00; A47K 3/281; A47K 3/001;
A47K 1/09; A47K 1/08; A47K 3/004;
A47K 5/03; A47K 7/024; A47K 2201/02;
A47B 57/265; A47B 57/565; A47B
57/26; A47B 96/002; A47B 95/008; A47B
96/024; F16B 47/00; F16B 11/006; A46B
2200/1006

See application file for complete search history.

(56) **References Cited**

U.S. PATENT DOCUMENTS

D472,750 S * 4/2003 Clucas D6/525
D554,419 S * 11/2007 Thompson D6/566

D779,232 S * 2/2017 Pan D6/524
D923,337 S * 6/2021 Wei D3/306
D955,136 S * 6/2022 Qiu D6/566
D964,774 S * 9/2022 Huang D6/525
D970,249 S * 11/2022 Wang D6/525
D971,631 S * 12/2022 Dai D6/525
D972,860 S * 12/2022 Zhou D6/525
D980,019 S * 3/2023 Liang D7/600.1
D982,931 S * 4/2023 Yu D6/566
D982,932 S * 4/2023 Lauritzen et al.
D992,303 S * 7/2023 Wang D6/525
D992,304 S * 7/2023 He D6/525

OTHER PUBLICATIONS

Amazon.com, Juya SHower Caddy, Apr. 17, 2023, <https://www.amazon.com/Juya-Organizer-Rustproof-Stainless-Wall-Mounted/dp/B0C2P8F547/> (Year: 2023).*

* cited by examiner

Primary Examiner — Nathan M Johnston

(74) *Attorney, Agent, or Firm* — Nitin Kaushik

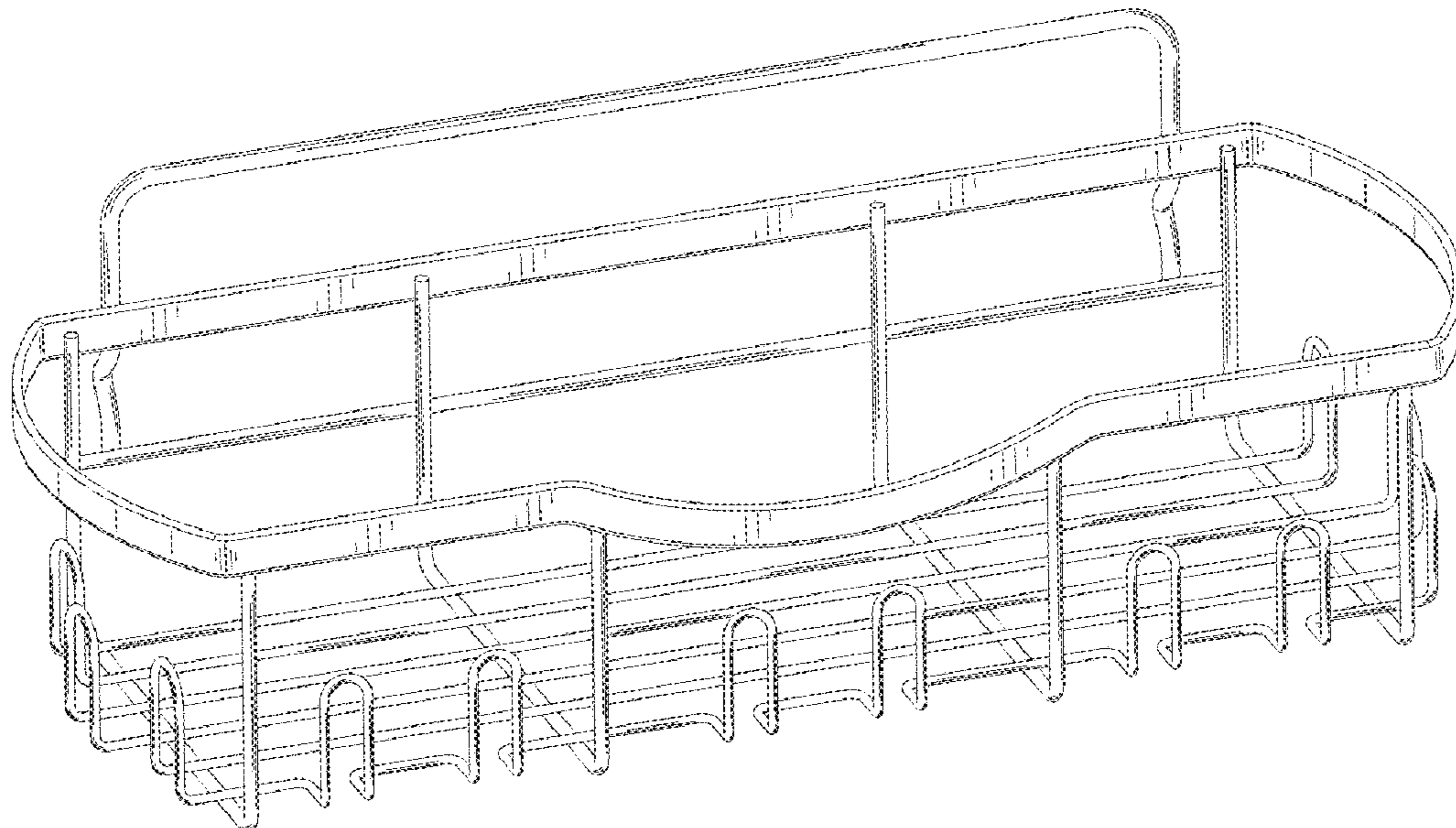
(57) **CLAIM**

The ornamental design for a bathroom shelf, as shown and described.

DESCRIPTION

FIG. 1 is a front perspective view of a bathroom shelf, showing my new design;
FIG. 2 is a front view thereof;
FIG. 3 is a rear view thereof;
FIG. 4 is a left side view thereof;
FIG. 5 is a right side view thereof;
FIG. 6 is a top view thereof; and,
FIG. 7 is a bottom view thereof.

1 Claim, 7 Drawing Sheets



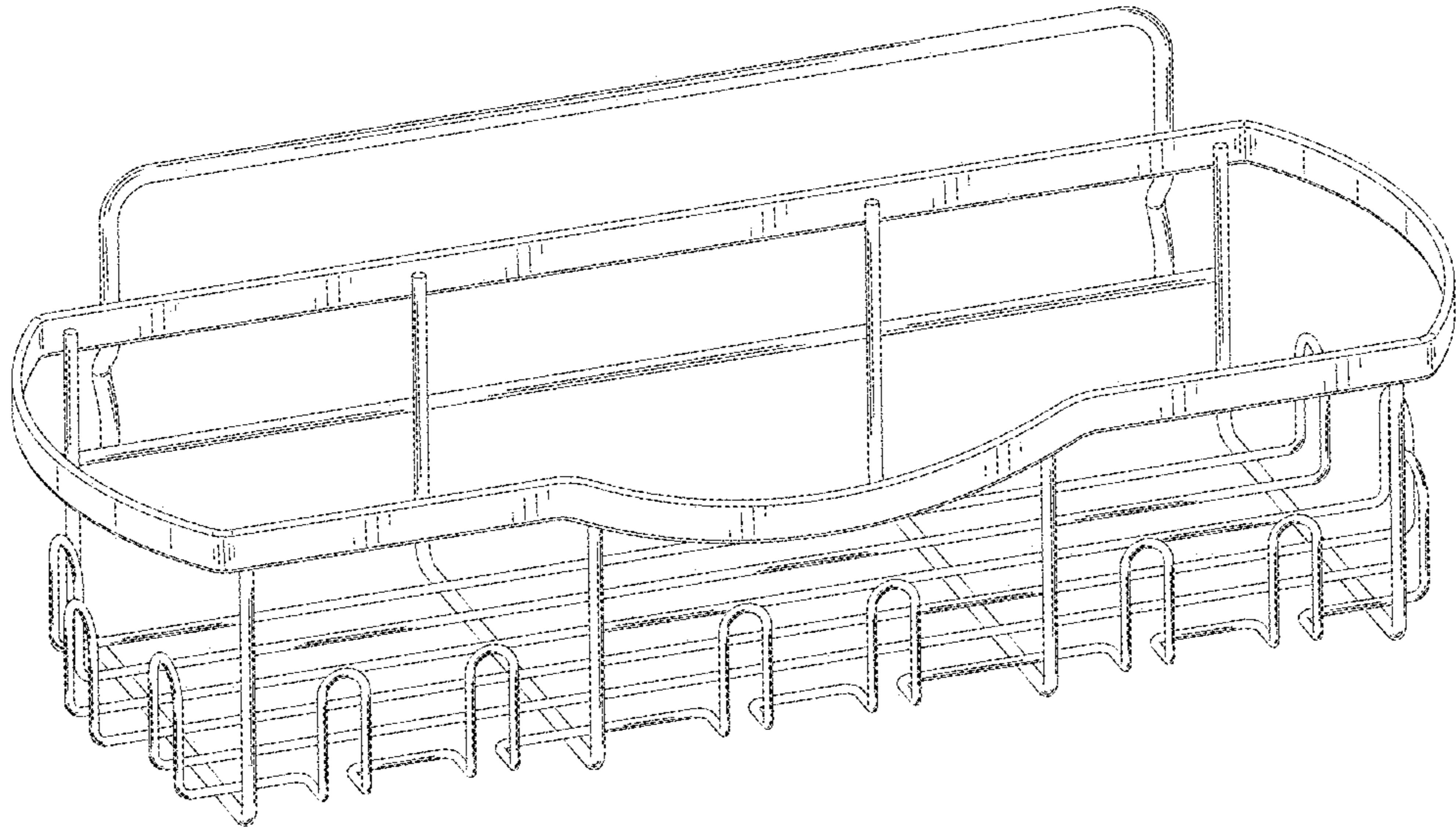


FIG. 1

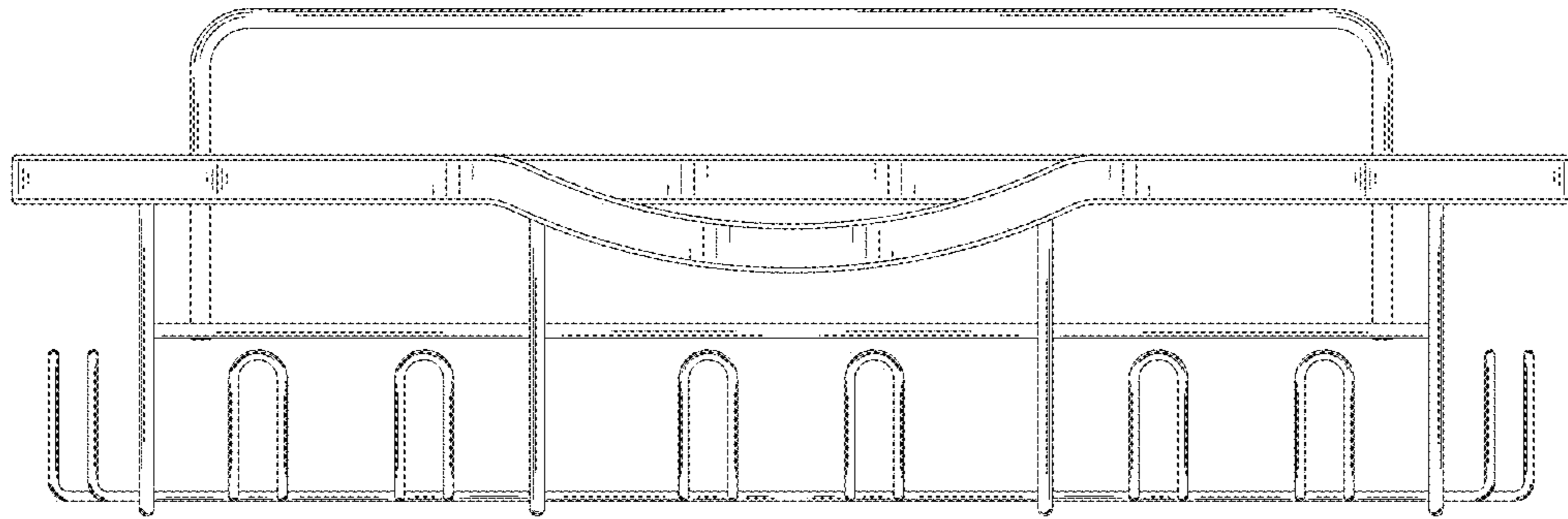


FIG. 2

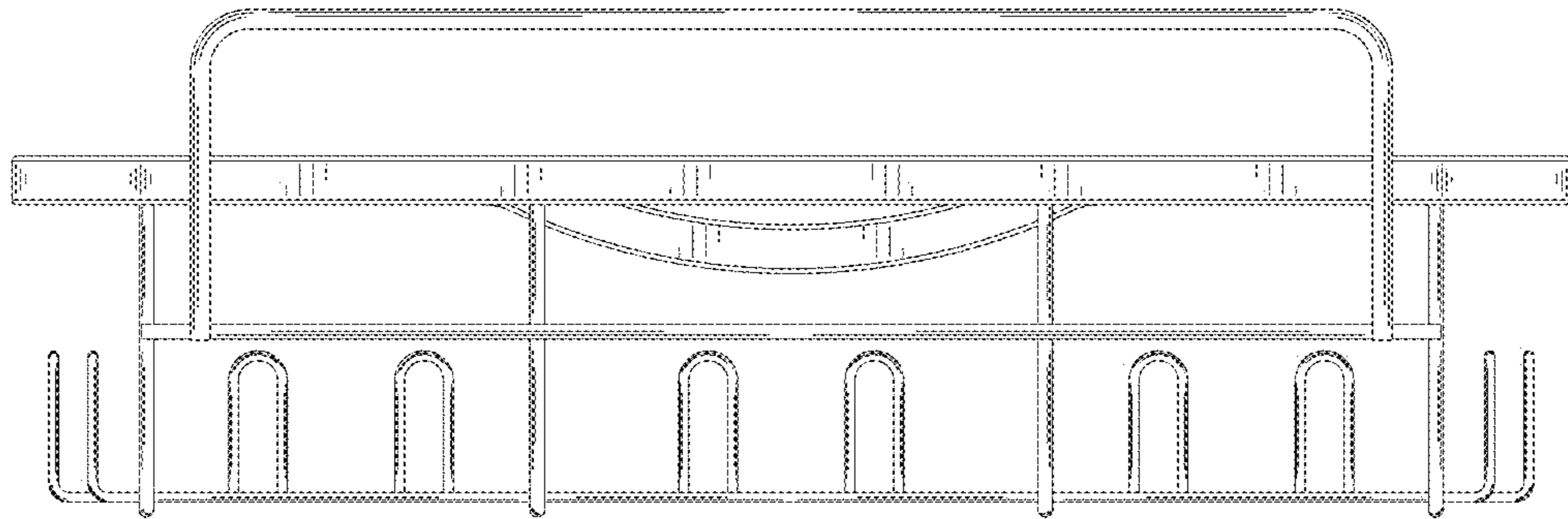


FIG. 3

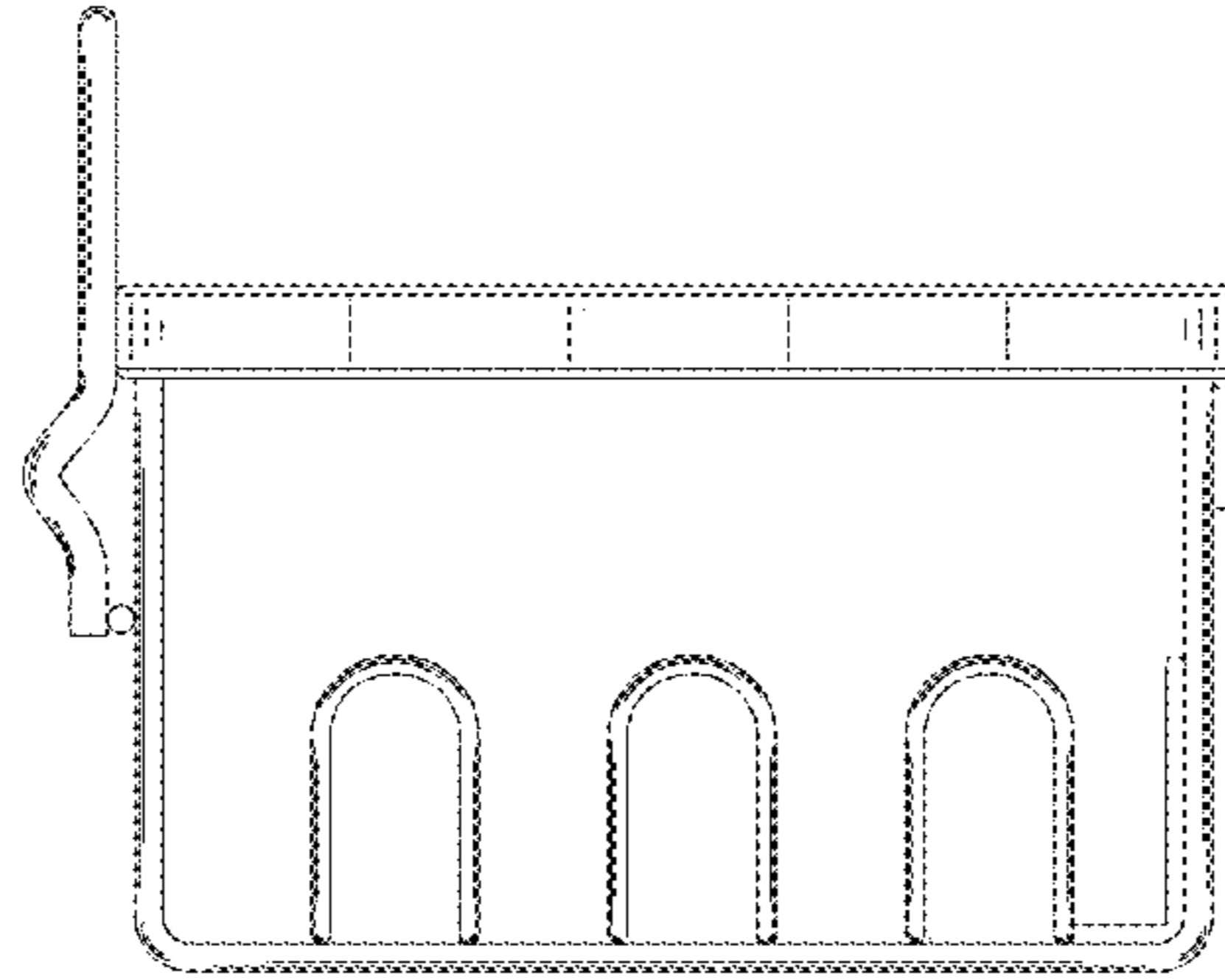


FIG. 4

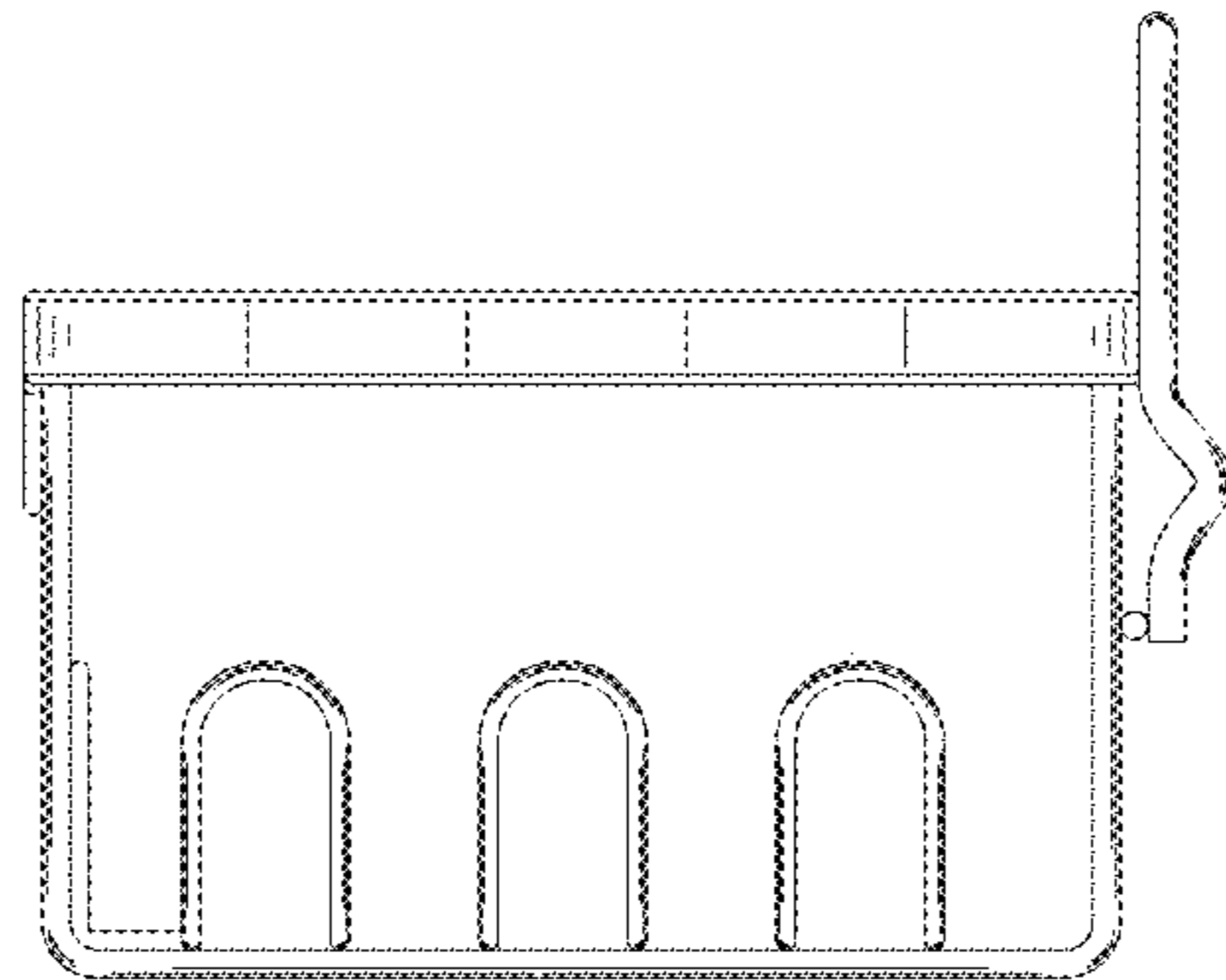


FIG. 5

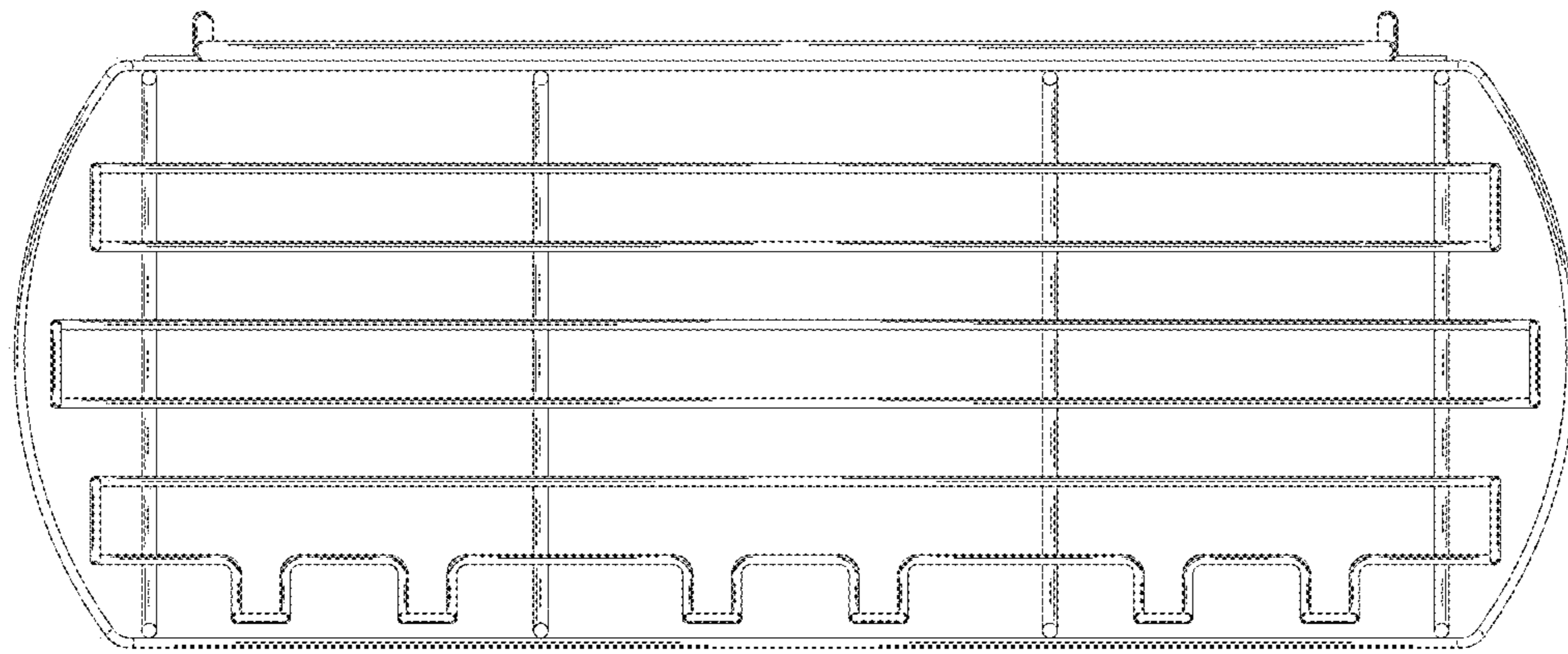


FIG. 6

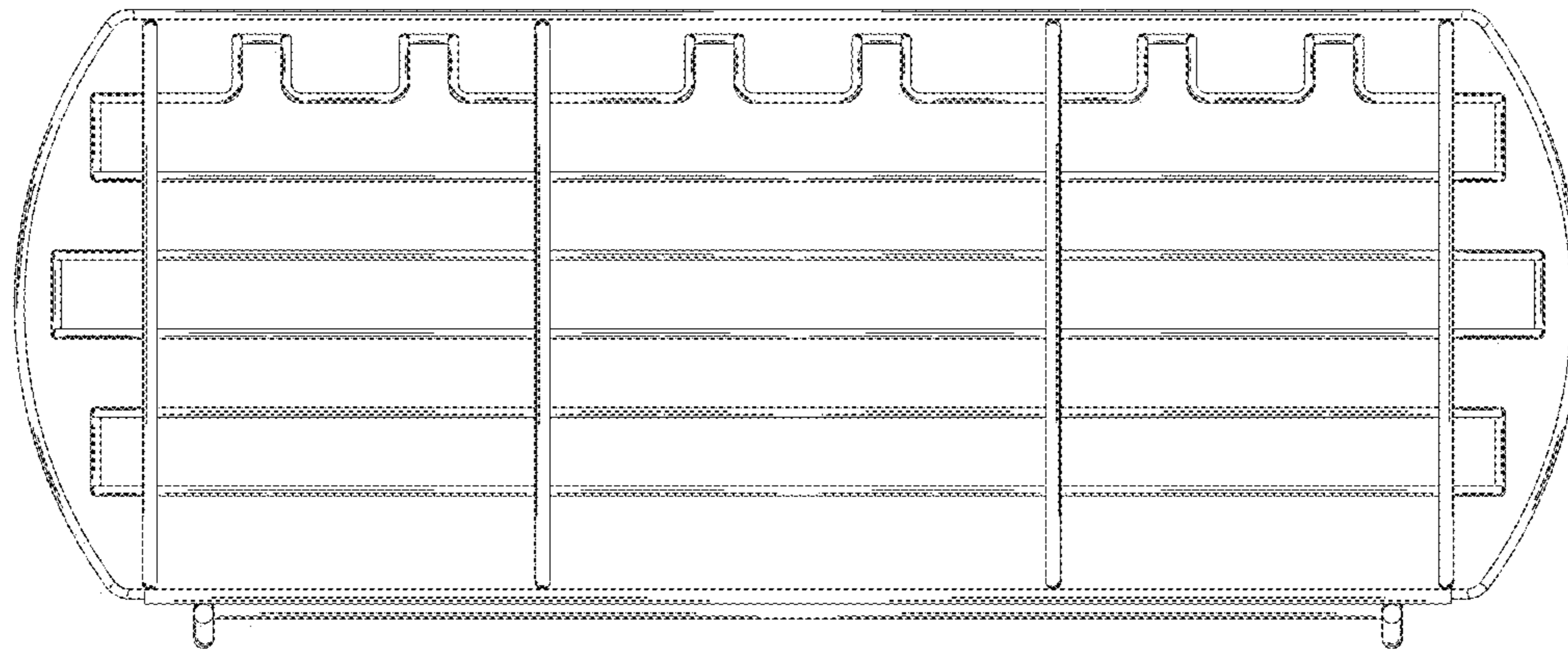


FIG. 7