



US0D1004761S

(12) **United States Design Patent** (10) **Patent No.:** **US D1,004,761 S**
Bright et al. (45) **Date of Patent:** **** Nov. 14, 2023**

(54) **FOUR-STAGE FILTRATION SYSTEM**

(71) Applicants: **Devin Ray Bright**, Hickory Flat, MS (US); **Kevin Pirolo**, Byhalia, MS (US)

(72) Inventors: **Devin Ray Bright**, Hickory Flat, MS (US); **Kevin Pirolo**, Byhalia, MS (US)

(**) Term: **15 Years**

(21) Appl. No.: **29/822,375**

(22) Filed: **Jan. 7, 2022**

(51) **LOC (14) Cl.** **23-04**

(52) **U.S. Cl.**

USPC **D23/365**

(58) **Field of Classification Search**

USPC D14/188, 204, 228, 348, 358; D7/300.1; D24/110, 129, 162, 209, 210, 217; D23/207-210, 213, 223, 259, 262, D23/332-336, 341, 351-354, 355-366, D23/370, 375, 378, 380, 386-393, 397, D23/399, 423, 411-413; D15/7, 8, 9.1, D15/79, 89

CPC A61L 9/03; A61L 9/032; A61L 9/03504; A61L 9/05; A61L 9/12; A61L 9/14; A61L 9/20; A61L 9/22; A61L 9/012; A61L 9/015; A61L 9/048; A61L 9/122; A61L 9/127; A61L 9/205; A61L 2209/11; A61L 2209/14; A61L 2209/133; A61L 2/00; A61L 2/0005; A61L 2/0047; A61L 2/0052; A61L 2/084; A61L 2/085; A61L 2/087; A61L 2/10; F24F 1/00; F24F 1/02; F24F 1/022; F24F 1/027; F24F 1/0007; F24F 1/0014; F24F 1/0018; F24F 1/0022; F24F 1/0047; F24F 1/0057; F24F 1/0071; F24F 1/008; F24F 5/00; F24F 6/00; F24F 6/02; F24F 6/06; F24F 8/00; F24F 8/10; F24F 8/22; F24F 8/24; F24F 8/30; F24F 13/20; F24F 2221/14; F24F 2221/17; H01T 23/00; Y10S 261/03; Y10S 261/04; Y10S 261/17; Y10S 261/31; Y10S 261/42; Y10S 261/43; Y10S 261/65; Y10S 261/88; Y10S 261/89; A61M

11/02; C02F 1/42; C02F 1/002; C02F 1/003; B01D 46/001; B01D 46/002; B01D 46/004; B01D 46/005; B01D 46/0013; B01D 46/0015; B01D 46/10; B01D 46/12; B01D 46/24; B01D 46/2411; B01D 46/2422; B01D 46/52; B01D 46/521; B01D 46/522; B01D 46/523; B01D 46/58; B01D 2267/60; B01D 2267/70; B01D 35/30; B01D 35/303; B01D 36/00; B01D 36/001; B01D 27/00; B01D 27/04; B01D (Continued)

(56) **References Cited**

U.S. PATENT DOCUMENTS

773,946 A * 11/1904 Langill C02F 1/003 210/284
1,774,004 A * 8/1930 Haslett C02F 1/42 210/287

(Continued)

Primary Examiner — Gino Colan
Assistant Examiner — David Obrien

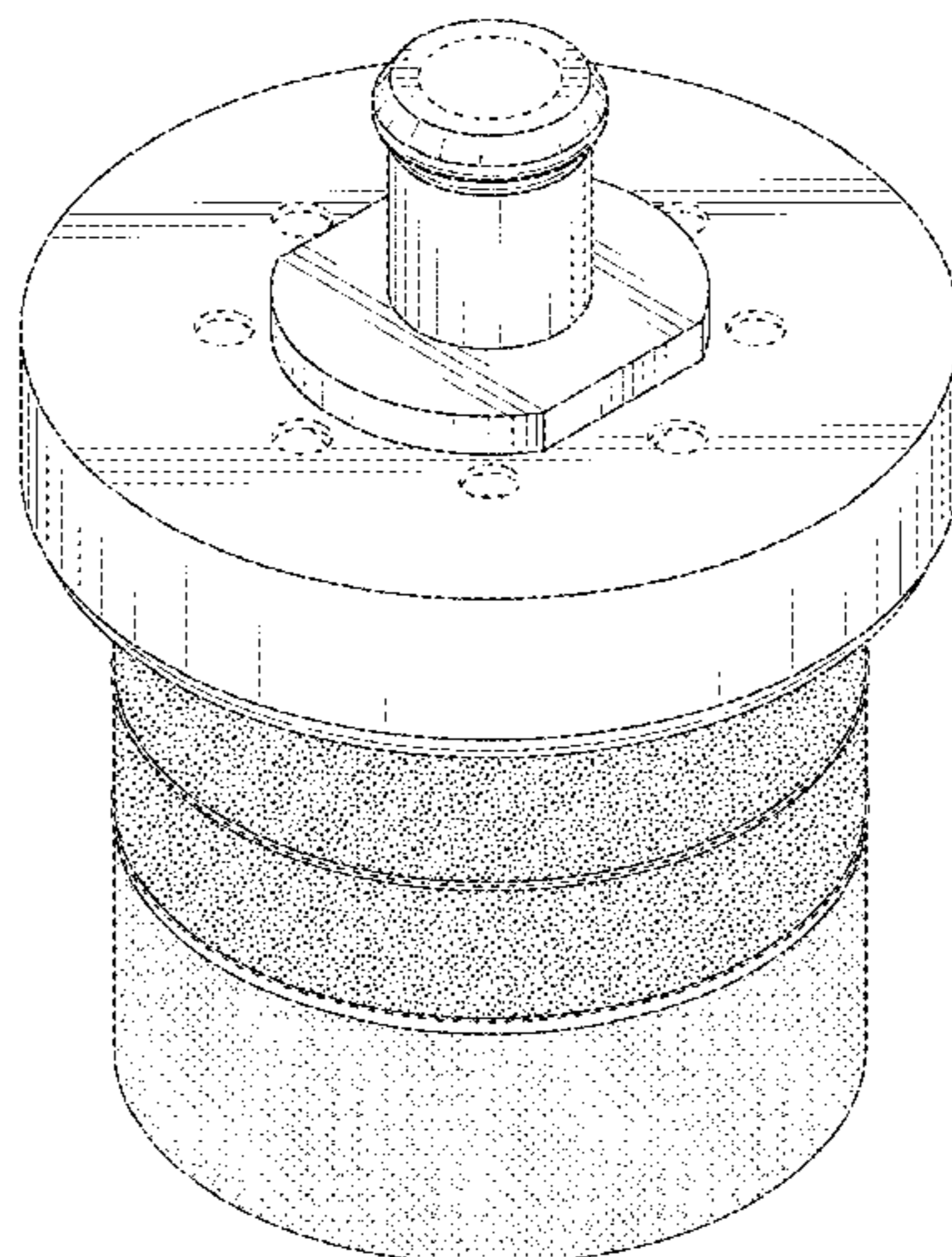
(57) **CLAIM**

The ornamental design for the four-stage filtration system, as shown and described.

DESCRIPTION

FIG. 1 is a front-top-left perspective view of the four-stage filtration system showing our new design; FIG. 2 is a front elevational view thereof, wherein the rear elevational view is identical thereto; FIG. 3 is a right elevational view thereof, wherein the left elevational view is identical thereto; FIG. 4 is a top plan view thereof; and, FIG. 5 is a bottom plan view thereof. The broken lines shown in the figures are for the purpose of illustrating portions of the four-stage filtration system and form no part of the claimed design.

1 Claim, 5 Drawing Sheets



(58) **Field of Classification Search**

CPC 27/06; B01D 27/08; F17C 1/00; F02M
35/02; F02M 35/0201; F02M 35/0204;
F02M 35/02416; F02M 35/02433; F02M
35/046; F02M 35/06; F02M 35/09; F02M
35/10; F02M 35/14; F02M 35/16; F02M
35/10006; F02M 35/10031; F02M
35/10032; F02M 35/10052; F02M
35/10078; F02M 35/10091; F02M
35/10144; F02M 35/10196; F02M
35/10262; F02M 35/10281; F02M
35/10288; F02M 35/1288; F02M
35/1266; F02M 37/00; F02M 37/32;
F02M 37/54; F16L 37/113

See application file for complete search history.

(56) **References Cited**

U.S. PATENT DOCUMENTS

1,934,251	A *	11/1933	Austin	B01D 27/08 210/167.09
2,065,658	A *	12/1936	Compton	B01D 27/00 210/453
3,071,251	A *	1/1963	Szwargulski	B01D 27/08 210/457
3,370,711	A *	2/1968	Hitzelberger	B01D 27/08 210/448
D493,874	S *	8/2004	Woods	D23/365
D775,712	S *	1/2017	Kim	D23/209
2019/0054403	A1 *	2/2019	Uchida	B01D 46/0005
2020/0247700	A1 *	8/2020	Genin	C02F 1/003

* cited by examiner

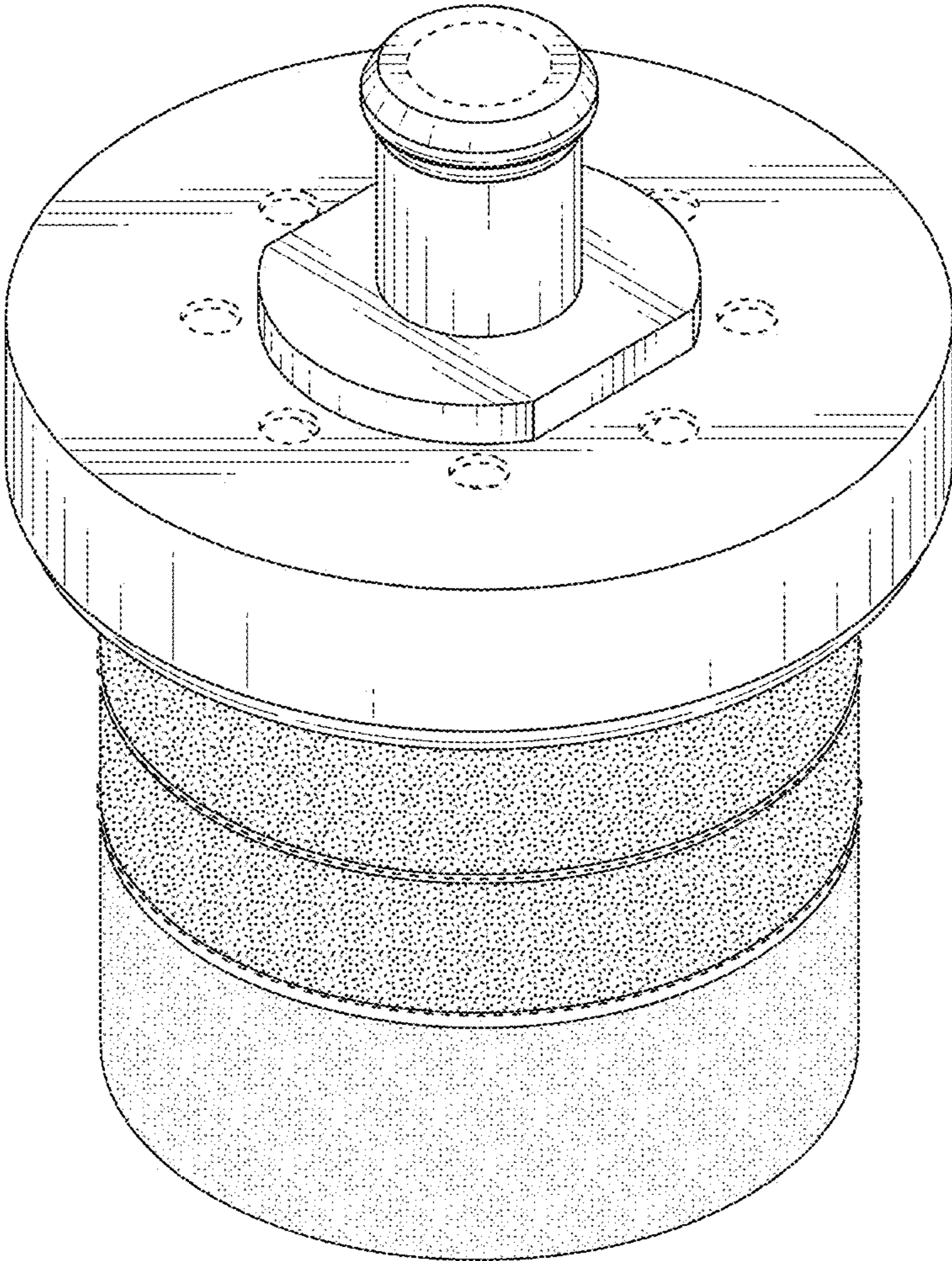


FIG. 1

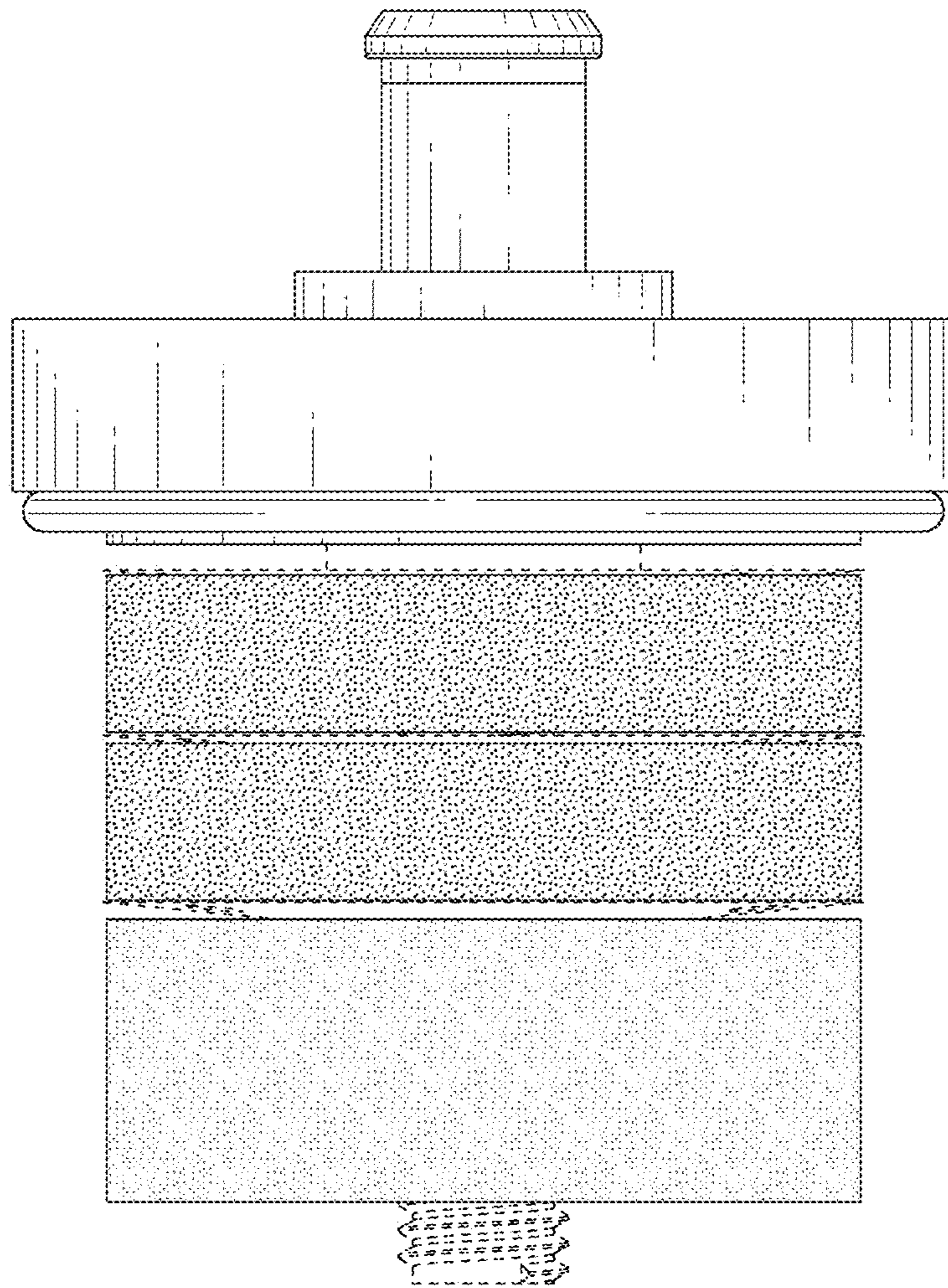


FIG. 2

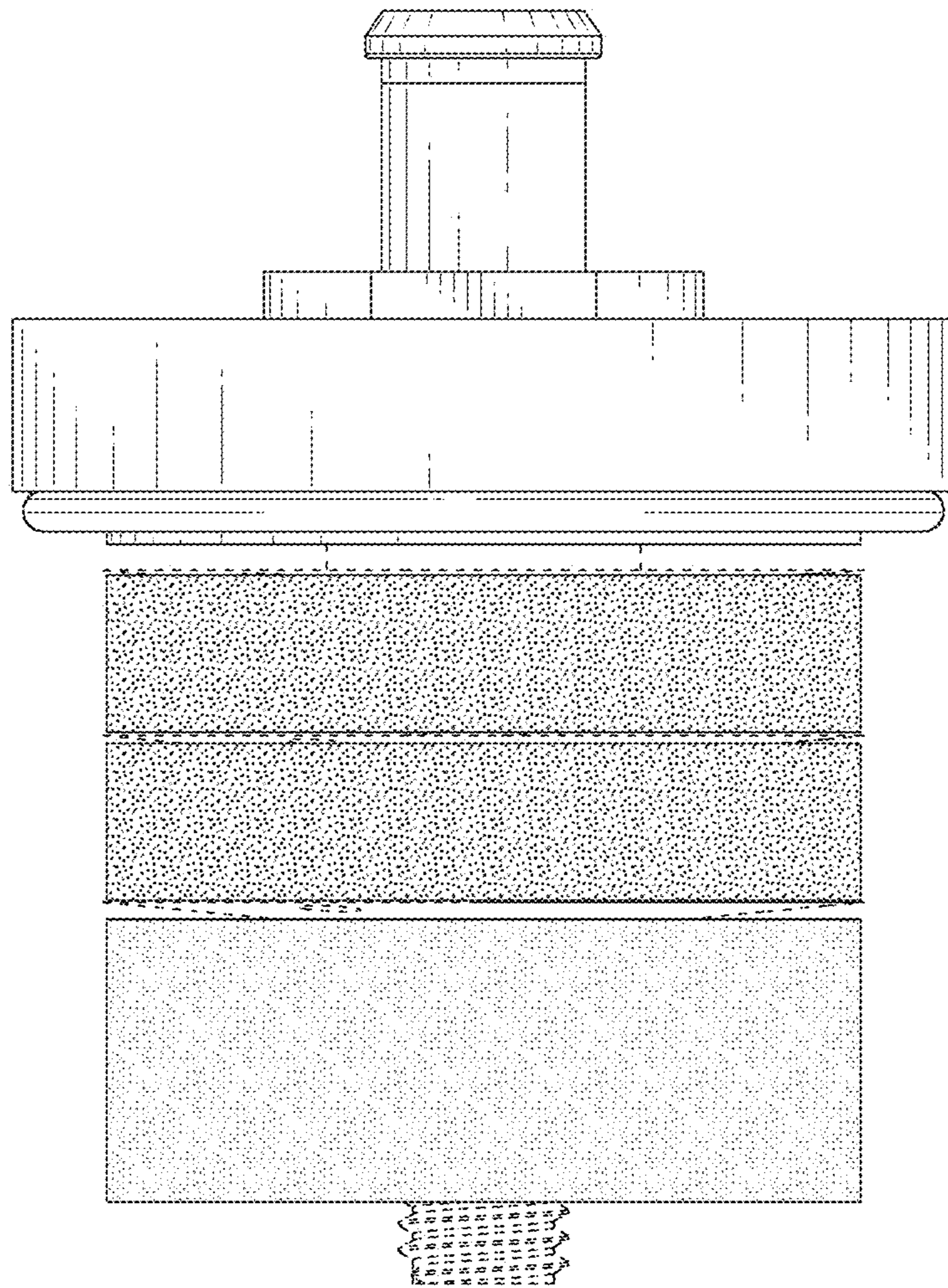


FIG. 3

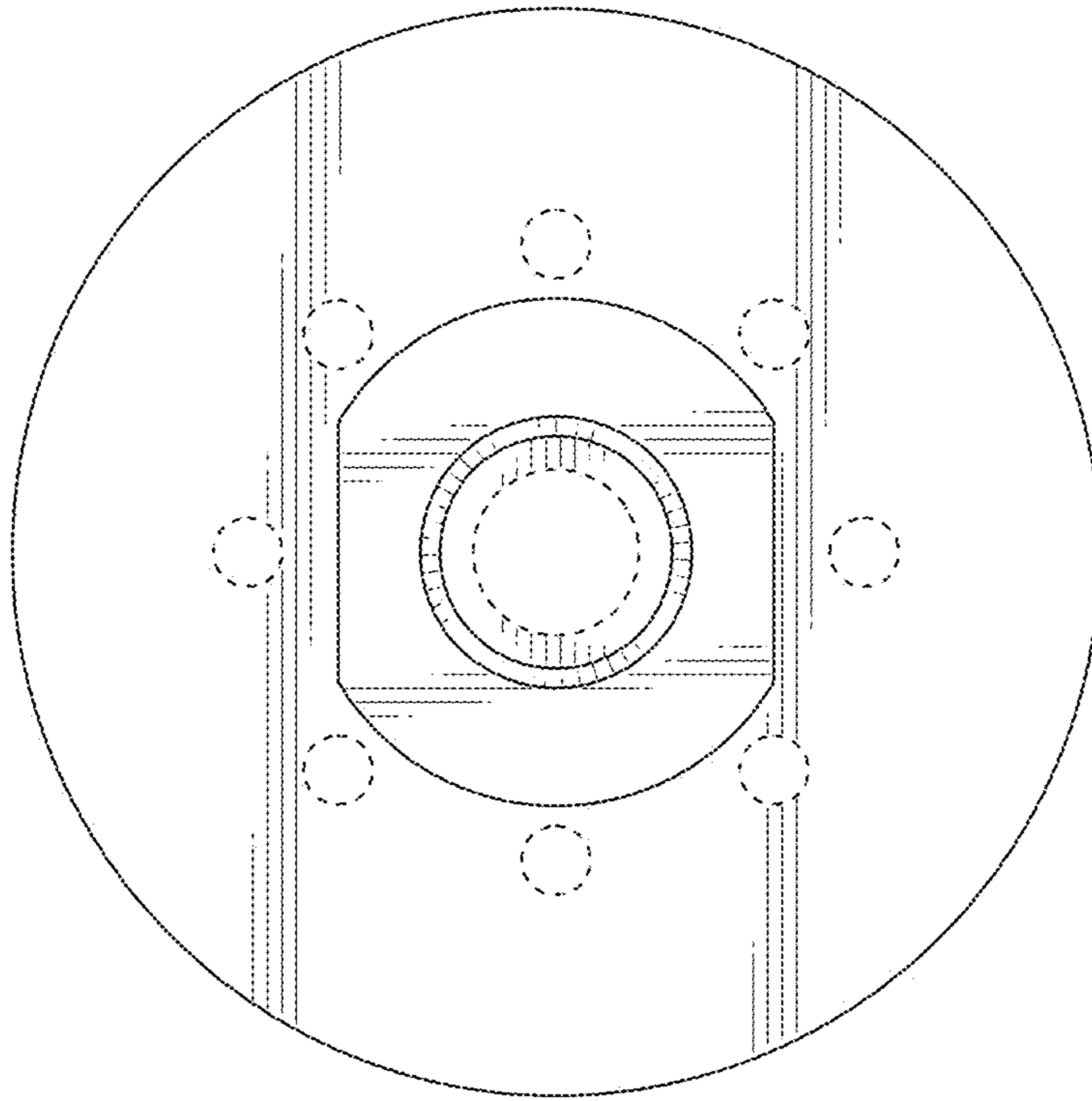


FIG. 4

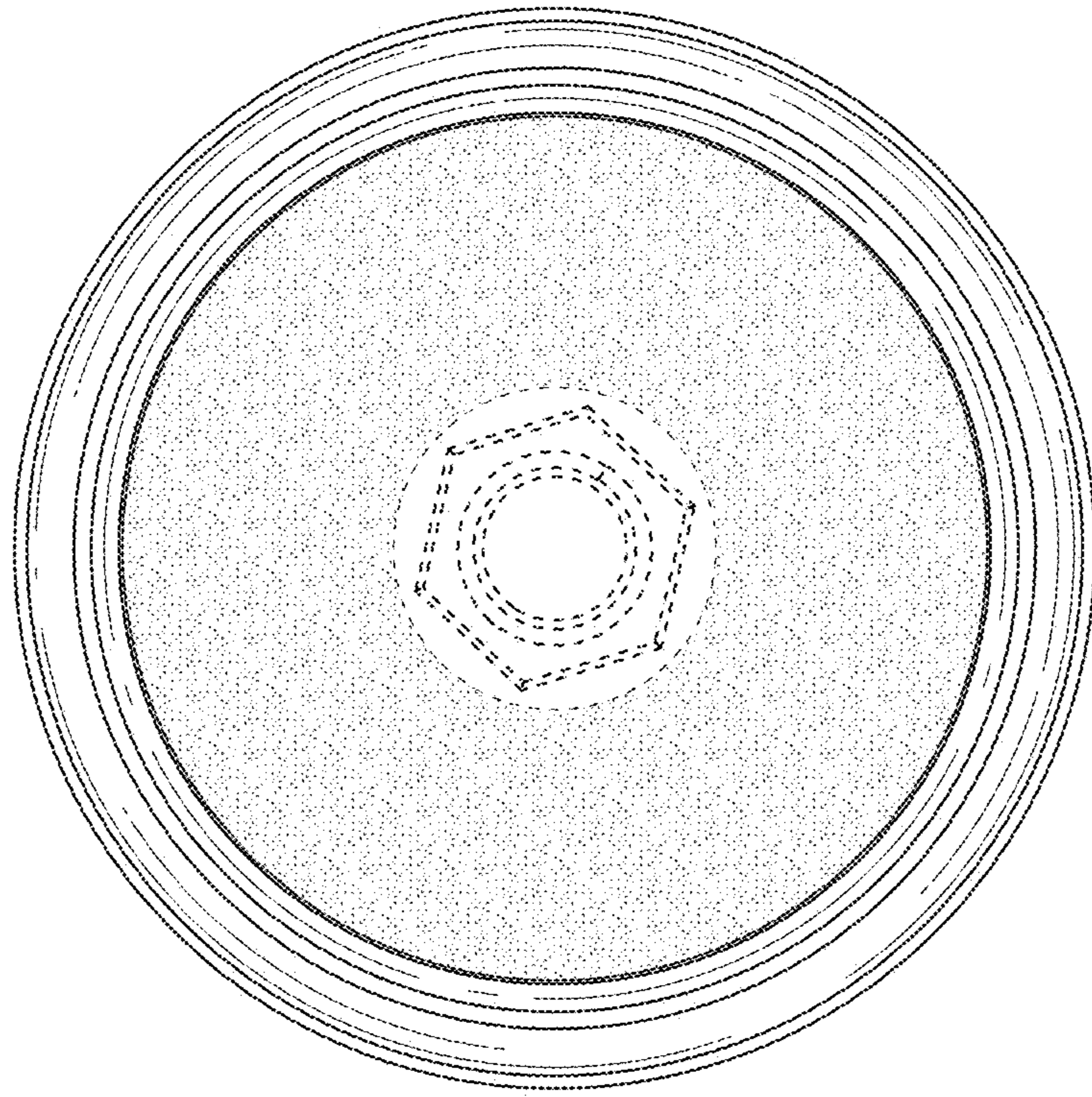


FIG. 5