



US0D1004455S

(12) **United States Design Patent** (10) **Patent No.:** **US D1,004,455 S**
Mills et al. (45) **Date of Patent:** **** Nov. 14, 2023**

(54) **T-SHIRT ALIGNMENT TOOL**

(71) Applicants: **Jessica Mills**, Lake Providence, LA (US); **Joseph Daniel Matthews**, Powderly, TX (US)

(72) Inventors: **Jessica Mills**, Lake Providence, LA (US); **Joseph Daniel Matthews**, Powderly, TX (US)

(**) Term: **15 Years**

(21) Appl. No.: **29/826,446**

(22) Filed: **Feb. 11, 2022**

(51) **LOC (14) Cl.** **10-04**

(52) **U.S. Cl.**
USPC **D10/71**

(58) **Field of Classification Search**
USPC D10/62, 64, 65, 69, 71
CPC G01B 3/566; G01B 3/02; G01B 3/1089;
B43L 7/12; B43L 7/0275
See application file for complete search history.

(56) **References Cited**

U.S. PATENT DOCUMENTS

D348,226 S *	6/1994	Alaniz	D10/71
D384,297 S *	9/1997	Paynes	D10/71
D589,648 S *	3/2009	Bakus	D10/71
D779,979 S *	2/2017	Eisinger	D10/65
D853,256 S *	7/2019	Lee	D10/65
D878,224 S *	3/2020	Hale	D10/71
D899,951 S *	10/2020	Zhao	D10/71
D899,952 S *	10/2020	Zhao	D10/71
D921,504 S *	6/2021	Liu	D10/71
D944,669 S *	3/2022	Yang	D10/71
D970,368 S *	11/2022	Li	D10/71

OTHER PUBLICATIONS

Lolly Bug & Co. T-Shirt Alignment Tool, posted on Facebook on Jan. 16, 2021 [online], [site visited Jun. 6, 2023], Available from the internet URL: <<https://www.facebook.com/LollyBugandCo/photos/pb.100063770004832.-2207520000./104106498335512/?type=3>>. (Year: 2021).*

* cited by examiner

Primary Examiner — George D. Kirschbaum
Assistant Examiner — Lillian Windham

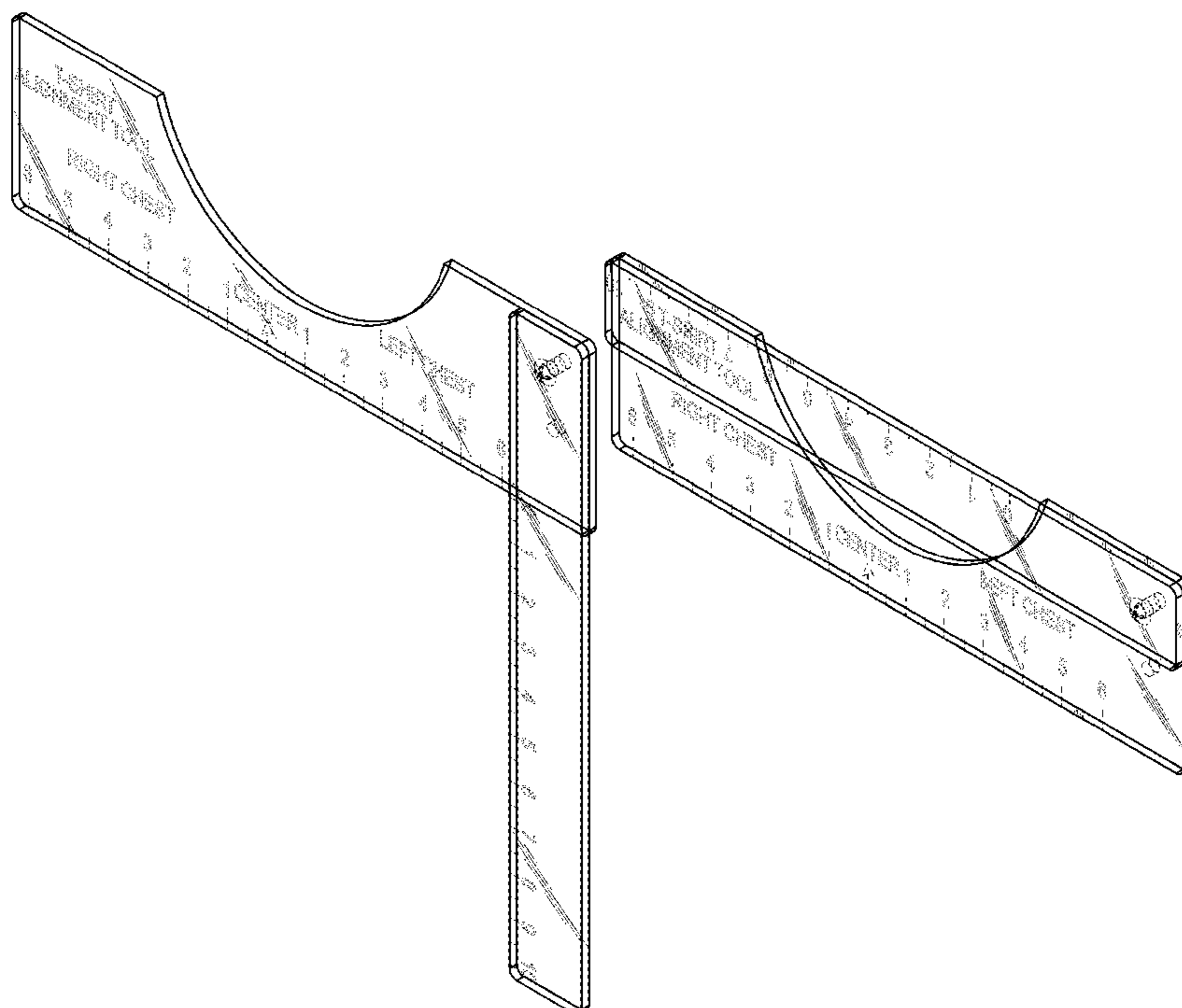
(57) **CLAIM**

The ornamental design for a T-shirt alignment tool, as shown and described.

DESCRIPTION

FIG. 1 is a top-front-left perspective view of a T-shirt alignment tool showing our new design; FIG. 2 is a bottom-rear-right perspective view thereof; FIG. 3 is a front elevational view thereof; FIG. 4 is a rear elevational view thereof; FIG. 5 is a left elevational view thereof; FIG. 6 is a right elevational view thereof; FIG. 7 is a top plan view thereof; FIG. 8 is a bottom plan view thereof; and, FIG. 9 is a top front perspective view thereof, showing the T-shirt alignment tool in a folded configuration. The broken lines showing numbers, markings, and indicia in FIGS. 1-4 and 9, and the broken lines showing a hole and a fastener in FIGS. 1-9 are included for the purpose of illustrating environmental structure and form no part of the claimed design.

1 Claim, 9 Drawing Sheets



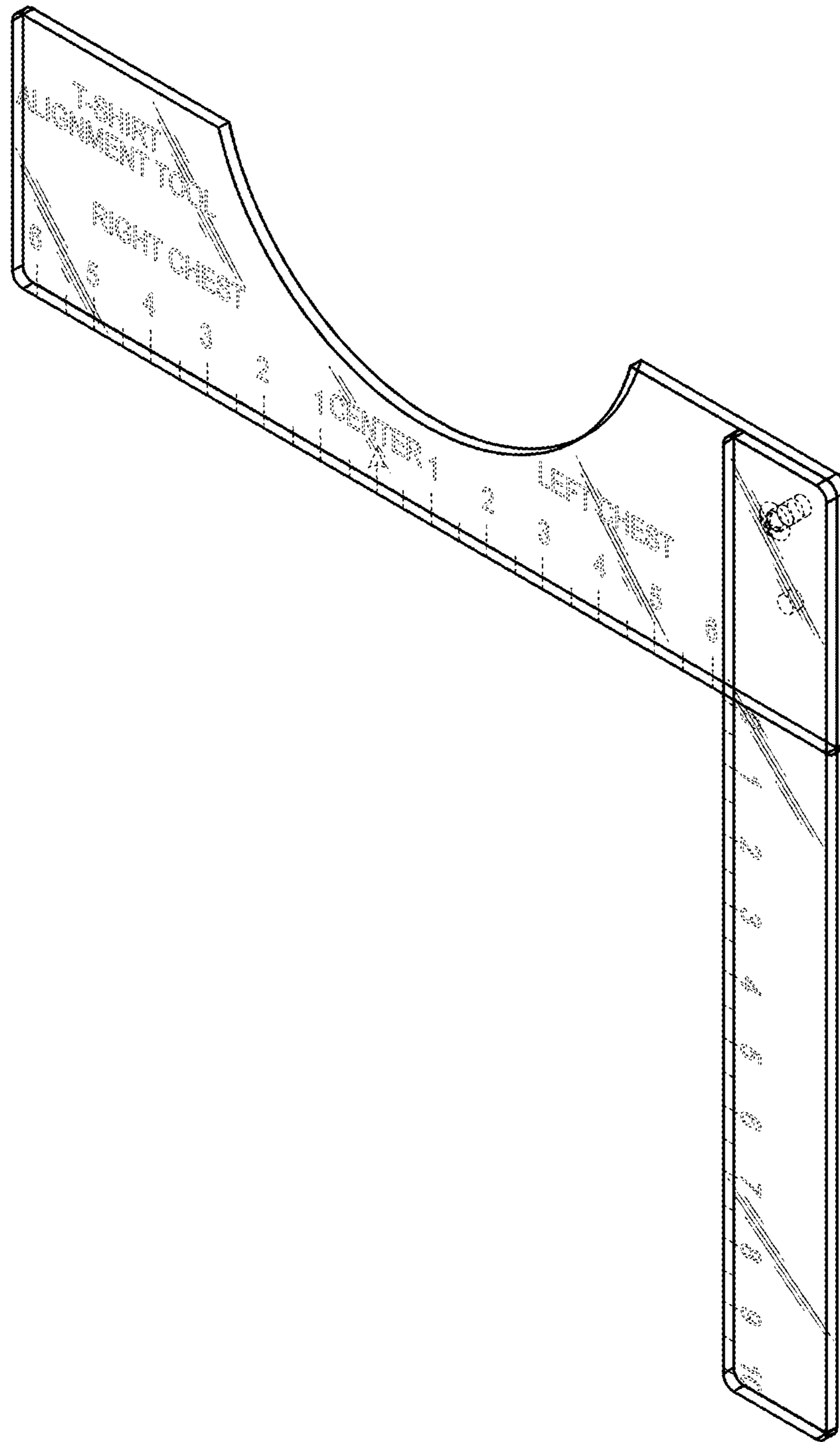


FIG. 1

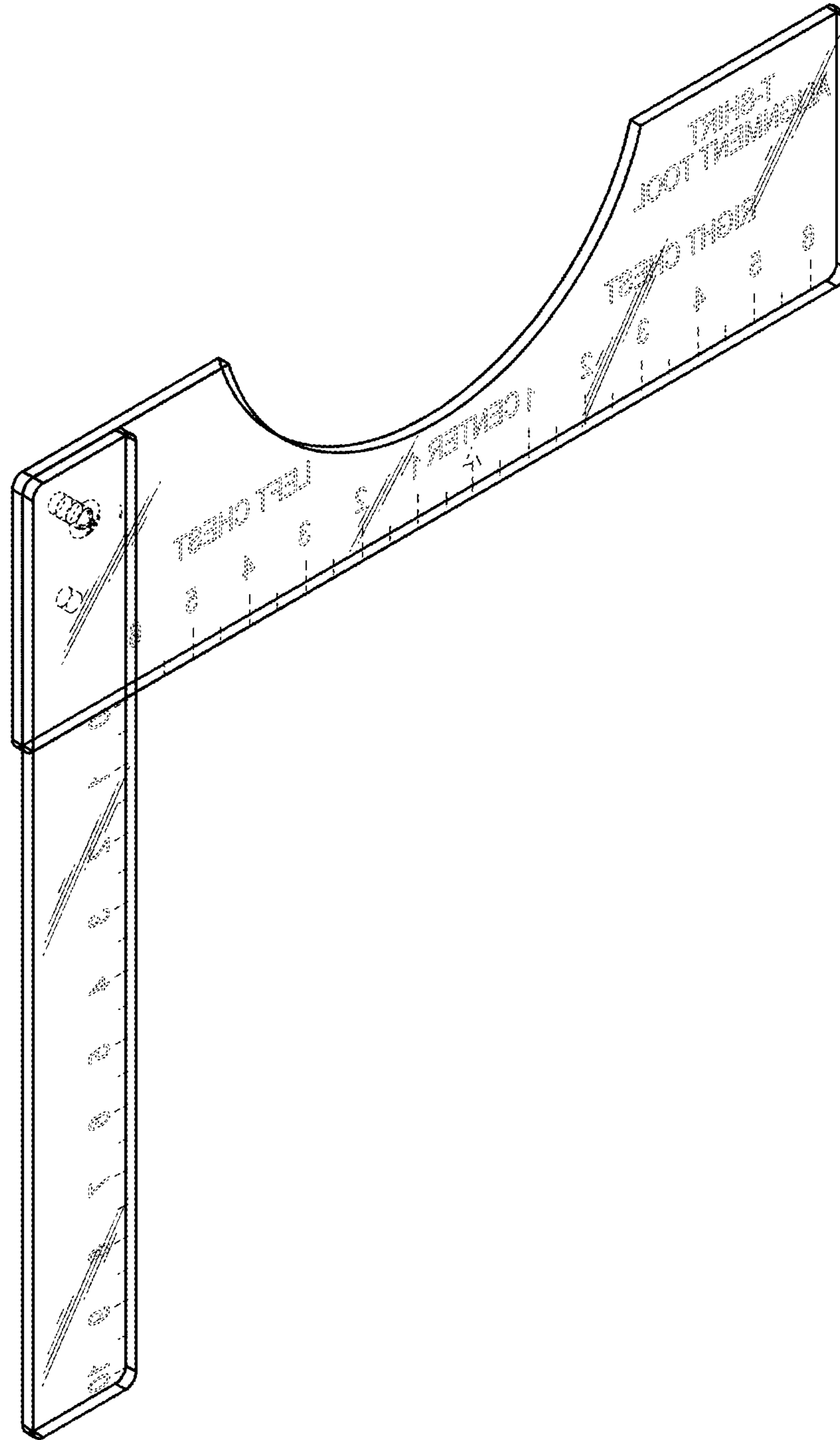


FIG. 2

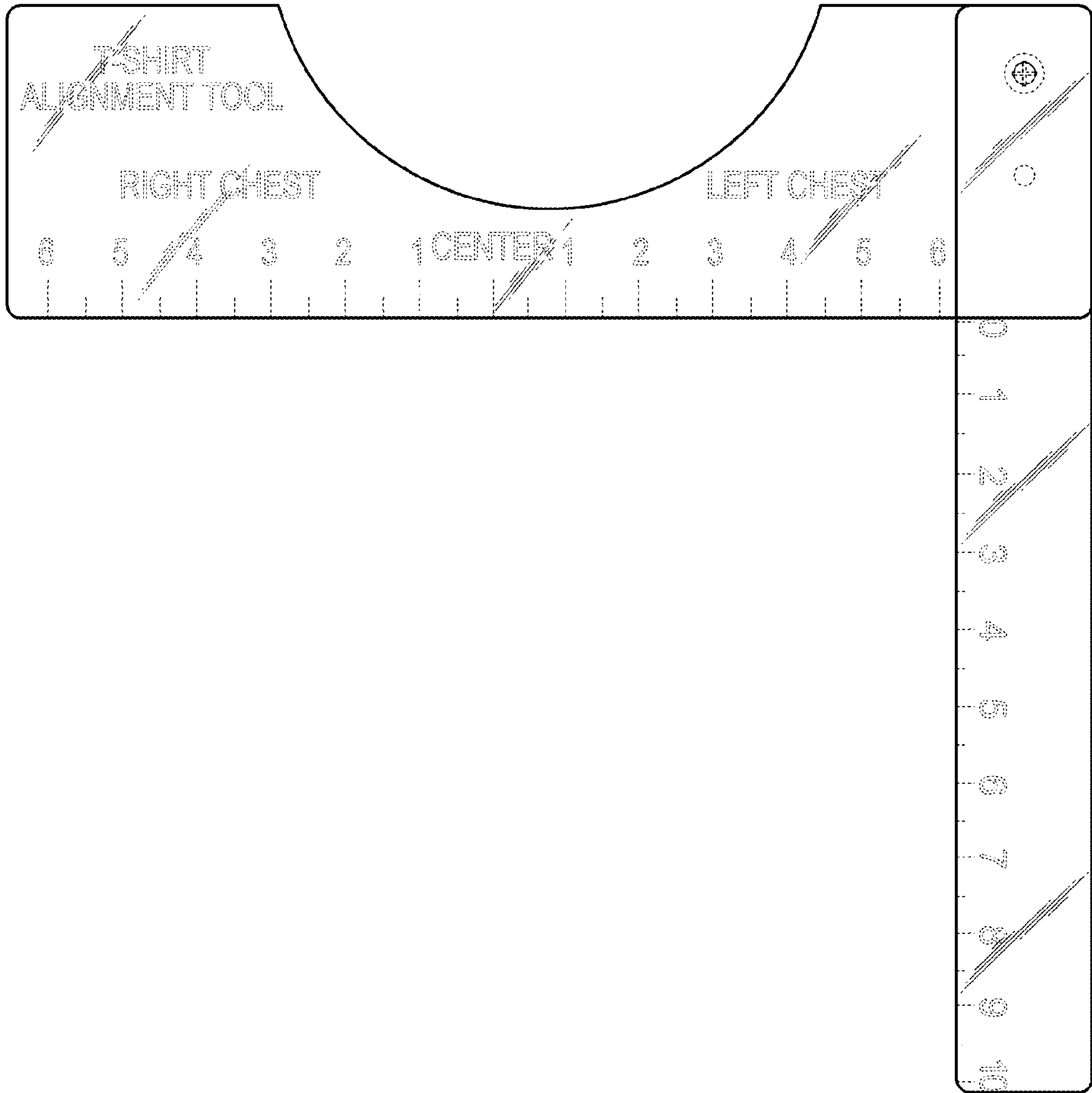


FIG. 3

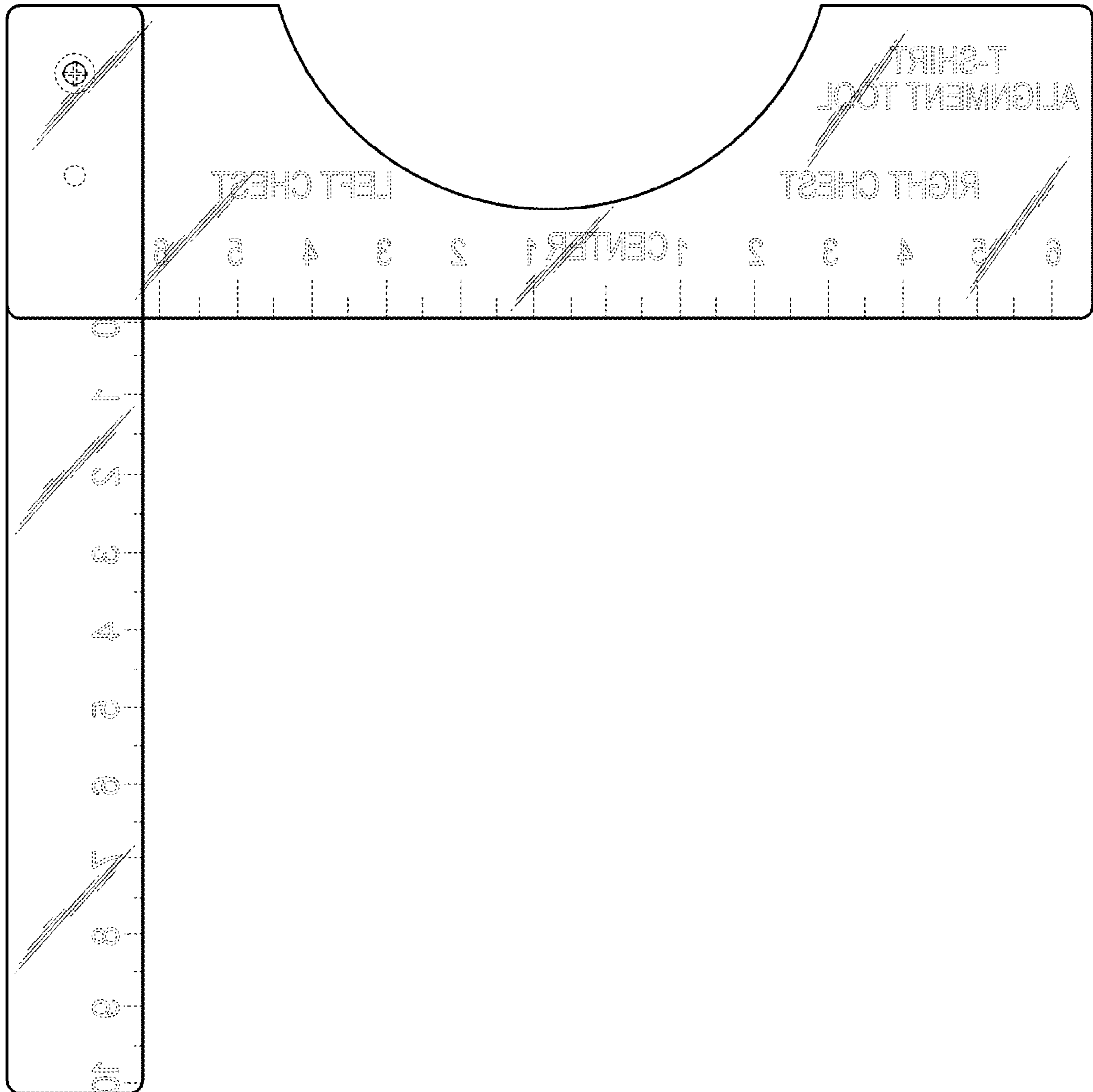


FIG. 4

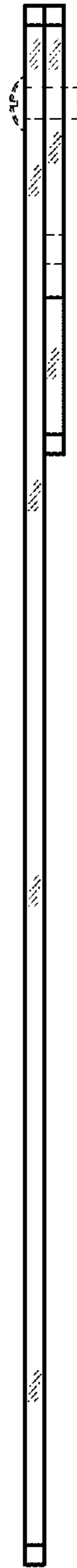


FIG. 5

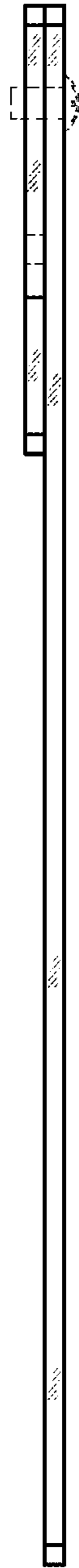


FIG. 6

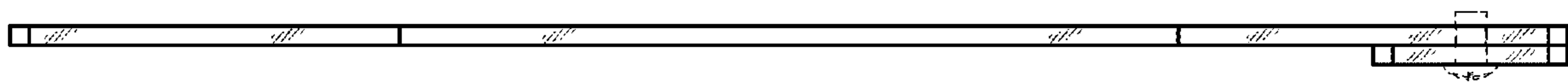


FIG. 7



FIG. 8

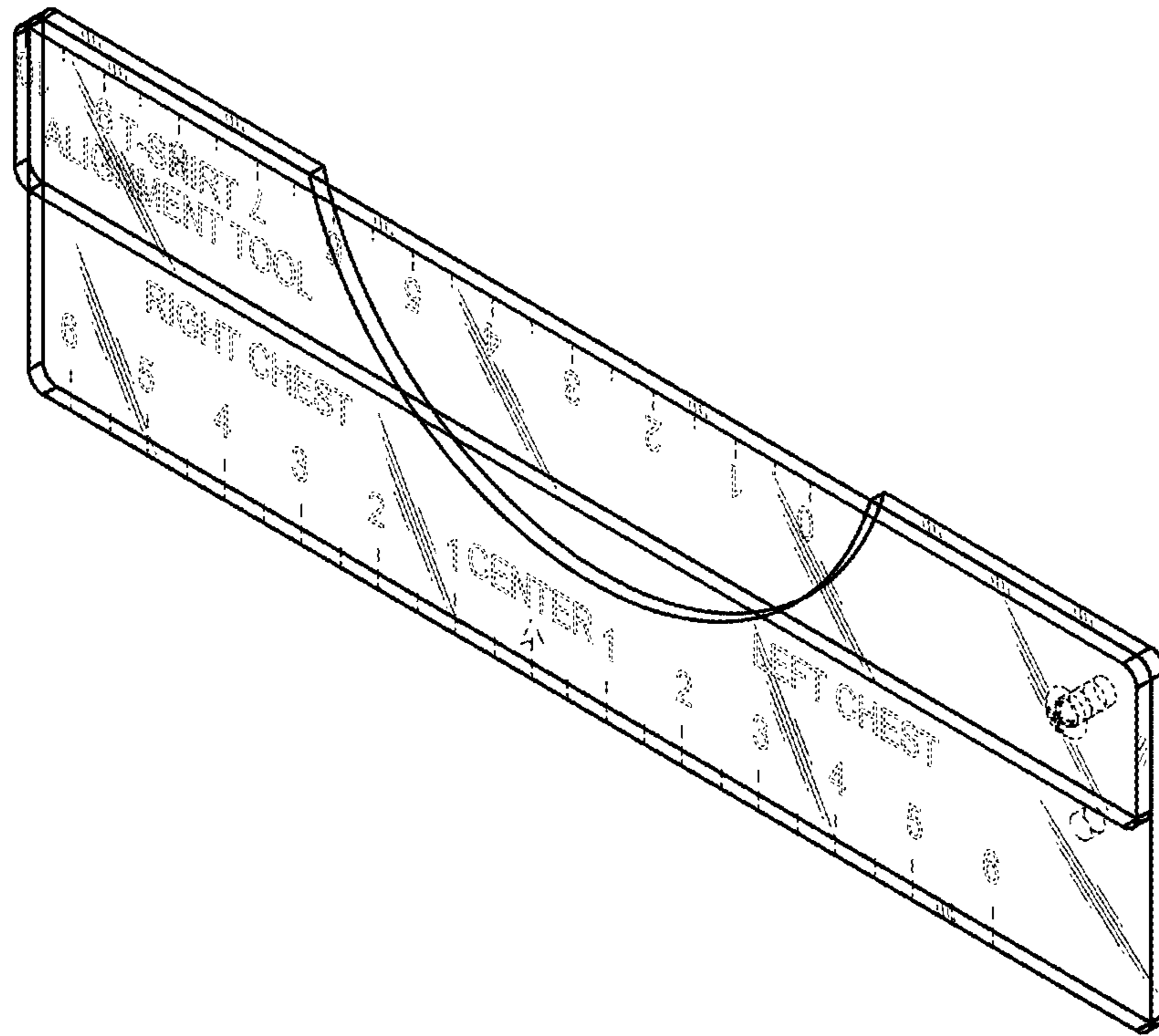


FIG. 9