



US0D1004205S

(12) **United States Design Patent** (10) **Patent No.:** **US D1,004,205 S**  
**Downing** (45) **Date of Patent:** **\*\* Nov. 7, 2023**

(54) **LIFTING DEVICE FOR PEOPLE**

FOREIGN PATENT DOCUMENTS

(71) Applicant: **Jeffery Dale Downing**, Winterset, IA (US)

EM 000922562-0005 \* 10/2010

(72) Inventor: **Jeffery Dale Downing**, Winterset, IA (US)

OTHER PUBLICATIONS

(\*\*) Term: **15 Years**

Amazon, "Patient Aid One Piece Patient Lift Sling", first available Aug. 30, 2017. (<https://www.amazon.com/Piece-Patient-Positioning-Weight-Capacity/dp/B0757DC1MZ>) (Year: 2017).\*

(21) Appl. No.: **29/809,452**

Amazon, "Fanwer Positioning Bed Pad", first available Aug. 4, 2020. (<https://www.amazon.com/dp/B08F744GHQ/>) (Year: 2020).\*

(22) Filed: **Sep. 28, 2021**

Amazon, "Patient Lift Slings", first available Jan. 5, 2022. (<https://www.amazon.ca/dp/B09PRG4BWK/>) (Year: 2022).\*

(51) **LOC (14) Cl.** ..... **30-04**

Amazon, "Ehucon Patient Lift Walking Sling", first available Jan. 7, 2023. (<https://www.amazon.com/dp/B0BRV8F8CD/?th=1>) (Year: 2023).\*

(52) **U.S. Cl.**

USPC ..... **D29/101.1**

(58) **Field of Classification Search**

USPC ..... D29/100, 101.1, 101.3, 101.5, 107, 124

CPC ... A61B 17/00; A61B 90/40; A61B 2090/401;

A61B 50/00; A61B 50/10; A61B

2050/3004; A61B 2050/3005; A61B

2050/3006; A61B 2050/3008; A62B 1/00;

A62B 1/04; A62B 1/06; A62B 1/14;

A62B 1/16; A62B 1/18

See application file for complete search history.

\* cited by examiner

*Primary Examiner* — Leanne Was-Englehart

*Assistant Examiner* — Justin A Johnson

(57) **CLAIM**

The ornamental design for a lifting device for people, as shown and described.

(56) **References Cited**

**DESCRIPTION**

U.S. PATENT DOCUMENTS

4,050,737 A \* 9/1977 Jordan ..... A61F 5/3792

297/465

4,657,005 A \* 4/1987 Williamson ..... A61F 5/3784

128/875

D586,049 S \* 2/2009 Boardman ..... D29/101.1

D608,055 S \* 1/2010 Rieger ..... D29/101.1

D614,902 S \* 5/2010 Powell ..... D29/101.1

D615,249 S \* 5/2010 McGuigan ..... A47D 15/006

D29/101.1

D627,932 S \* 11/2010 Mendoza ..... A61F 5/3784

D29/101.5

8,360,202 B1 \* 1/2013 Woodard ..... A62B 1/16

182/4

2007/0052278 A1 \* 3/2007 Jones ..... A47D 15/006

297/485

FIG. 1 is a top-front-right perspective view of a lifting device for people showing my new design;

FIG. 2 is a bottom-rear-right perspective view thereof;

FIG. 3 is a front elevational view thereof;

FIG. 4 is a rear elevational view thereof;

FIG. 5 is a right elevational view thereof;

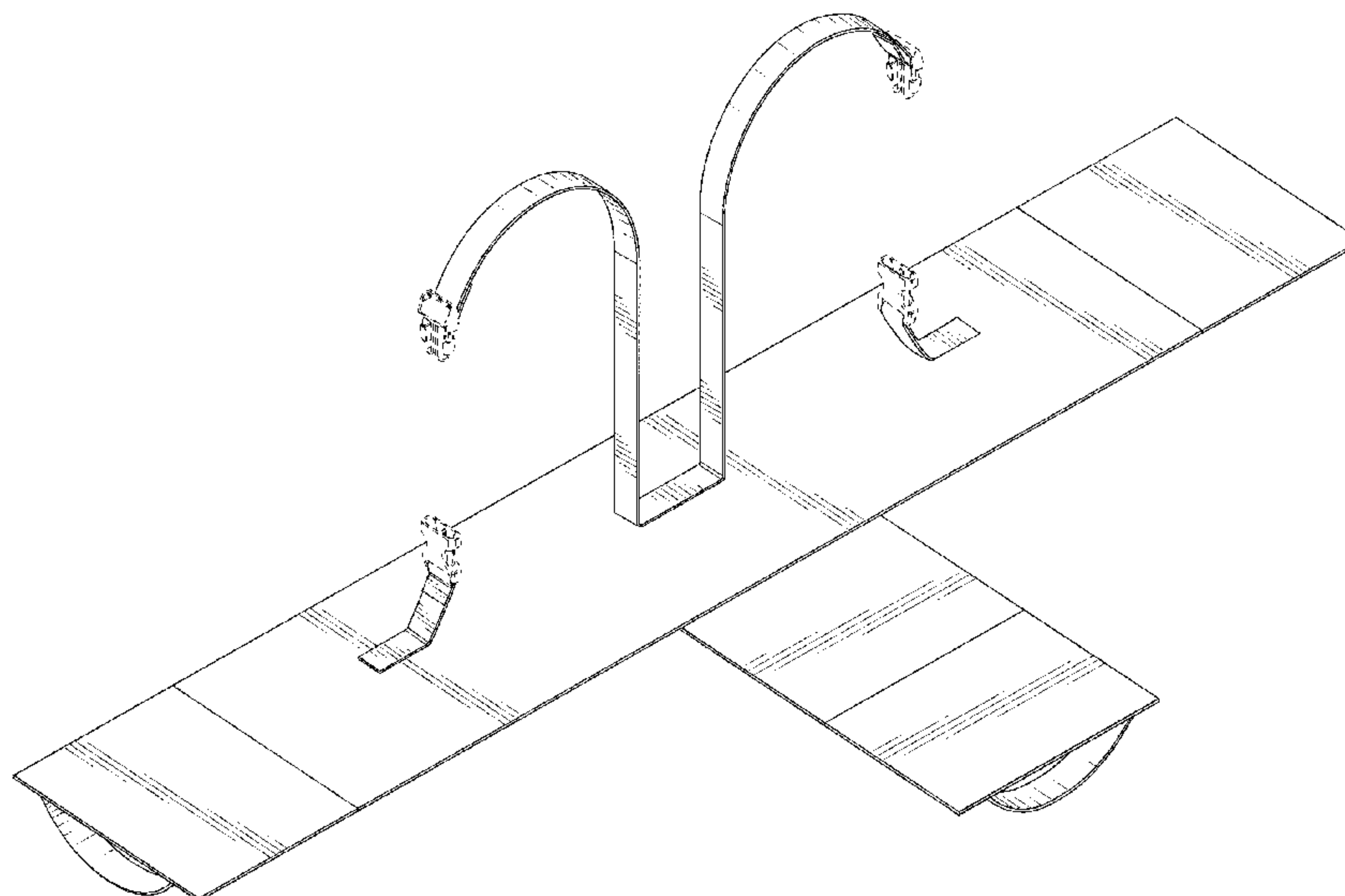
FIG. 6 is a left elevational view thereof;

FIG. 7 is a top plan view thereof; and,

FIG. 8 is a bottom plan view thereof.

The broken lines showing a plurality of clips in FIG. 1 through FIG. 7 are included for the purpose of illustrating environmental structure and forms no part of the claimed design.

**1 Claim, 8 Drawing Sheets**



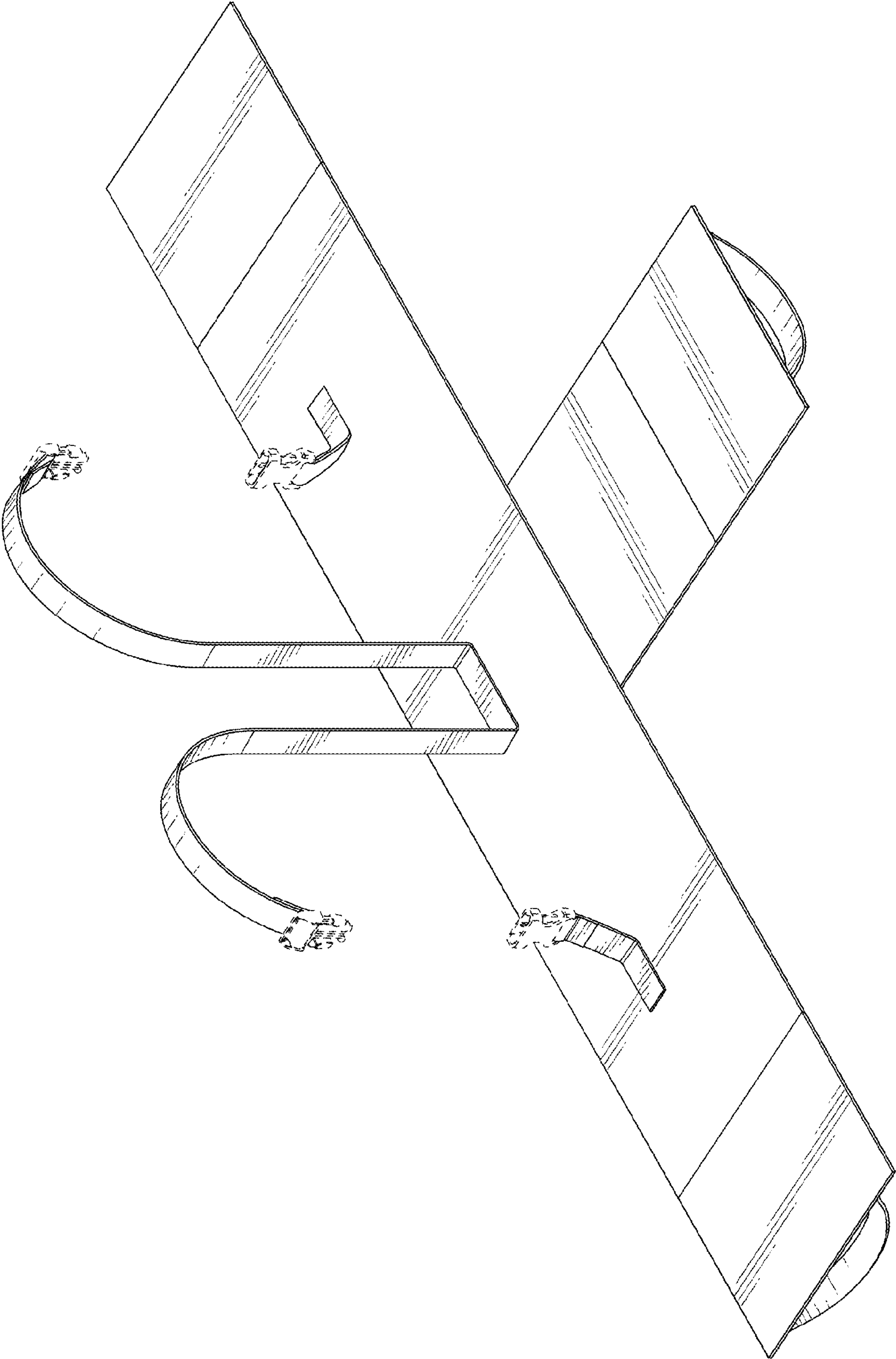


FIG. 1

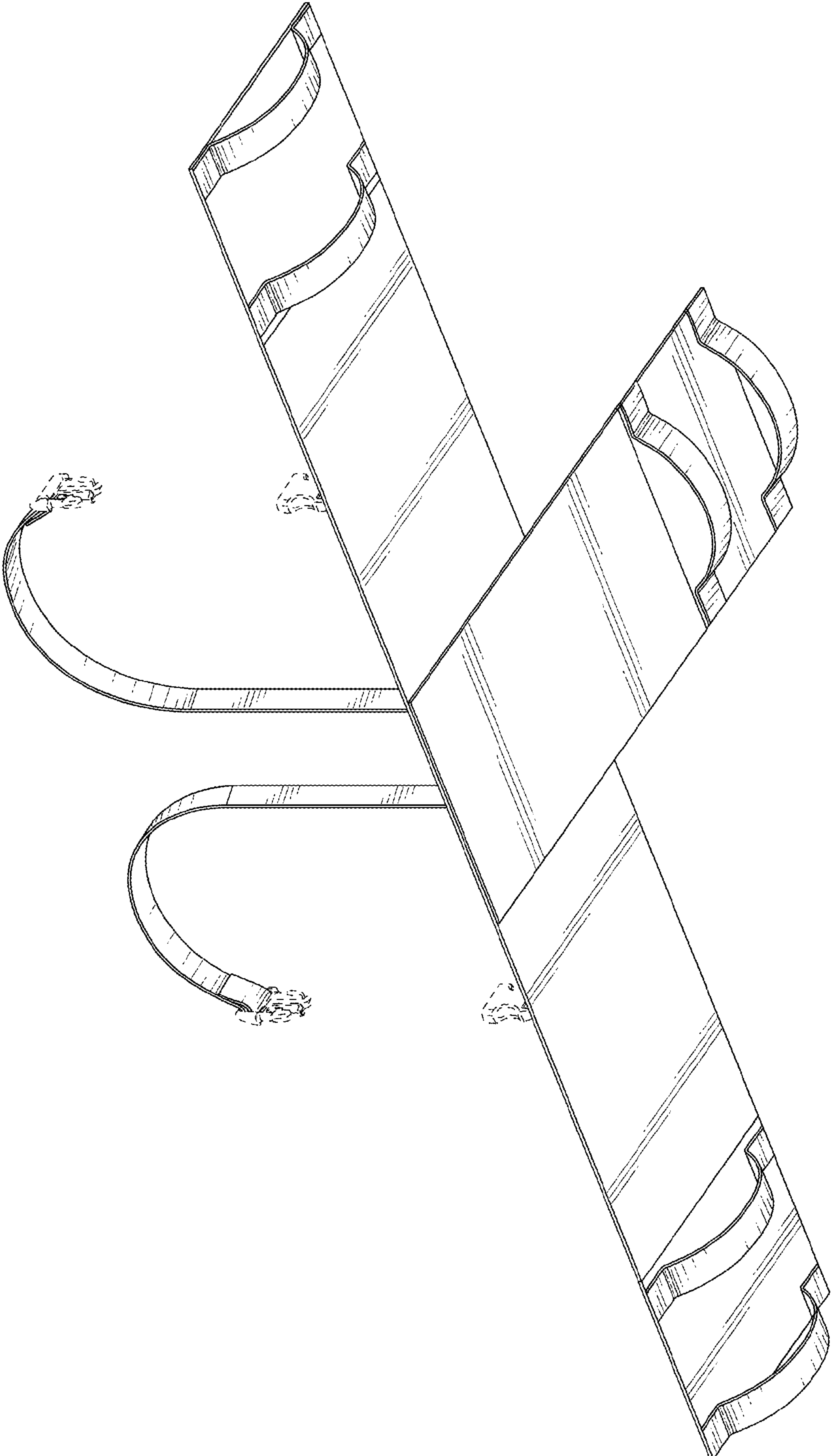


FIG. 2

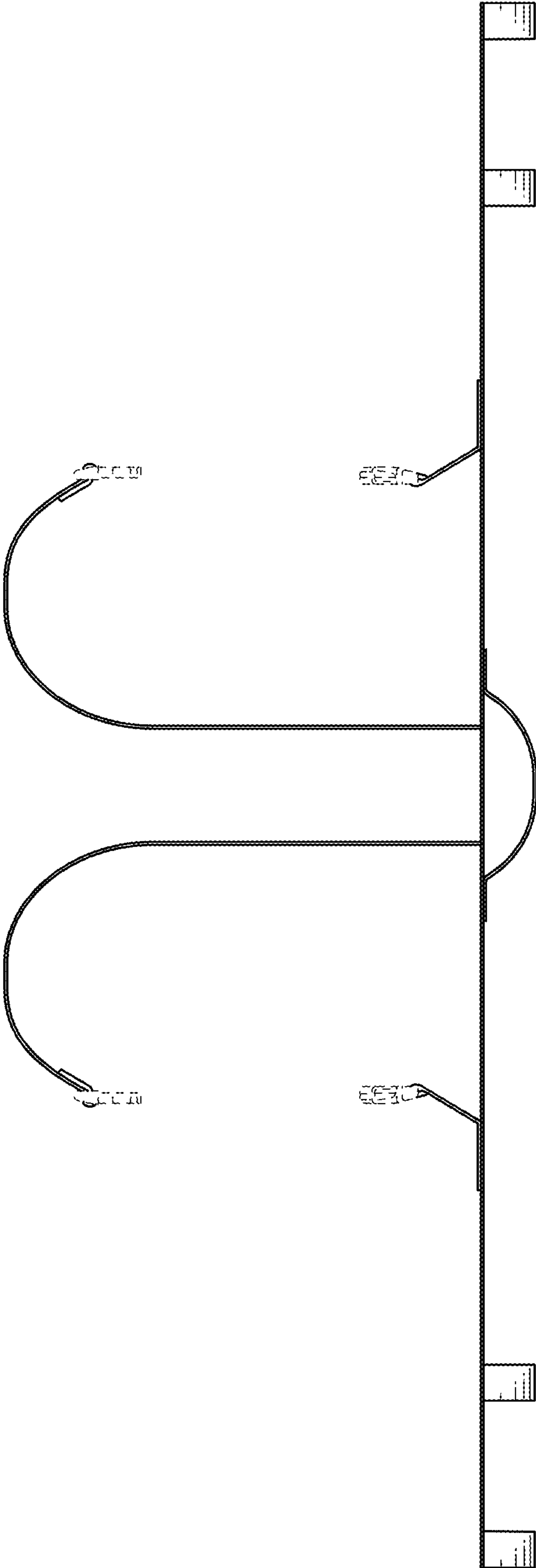


FIG. 3

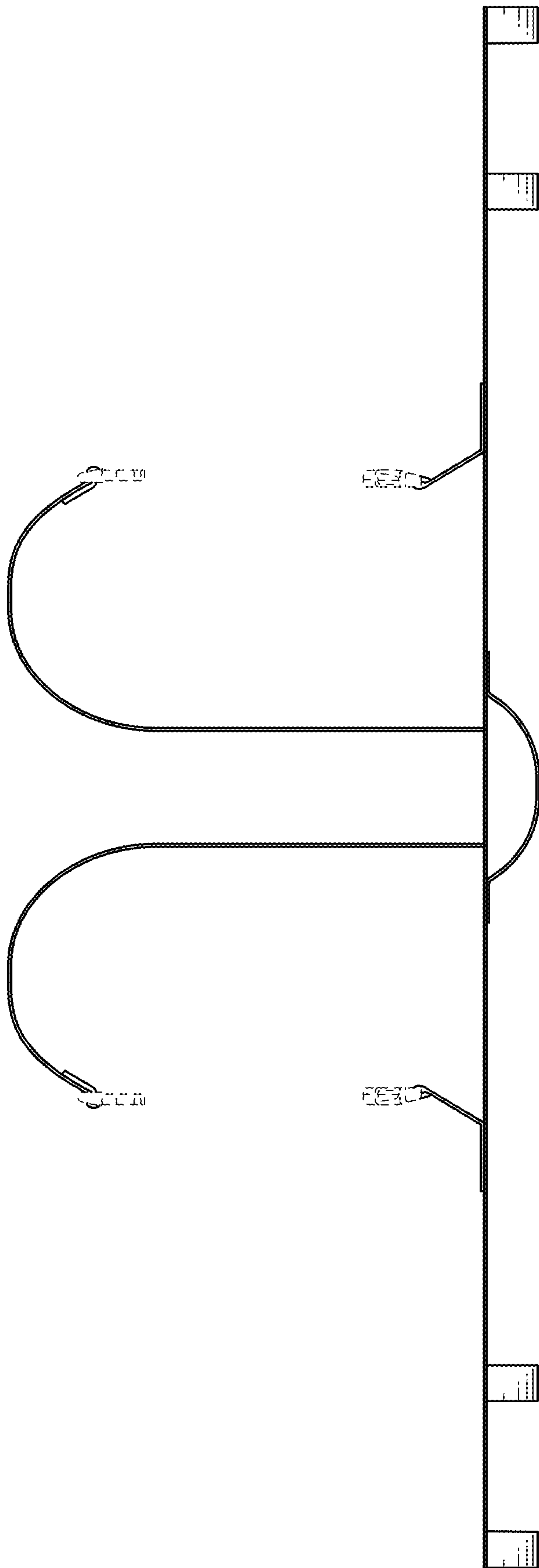


FIG. 4



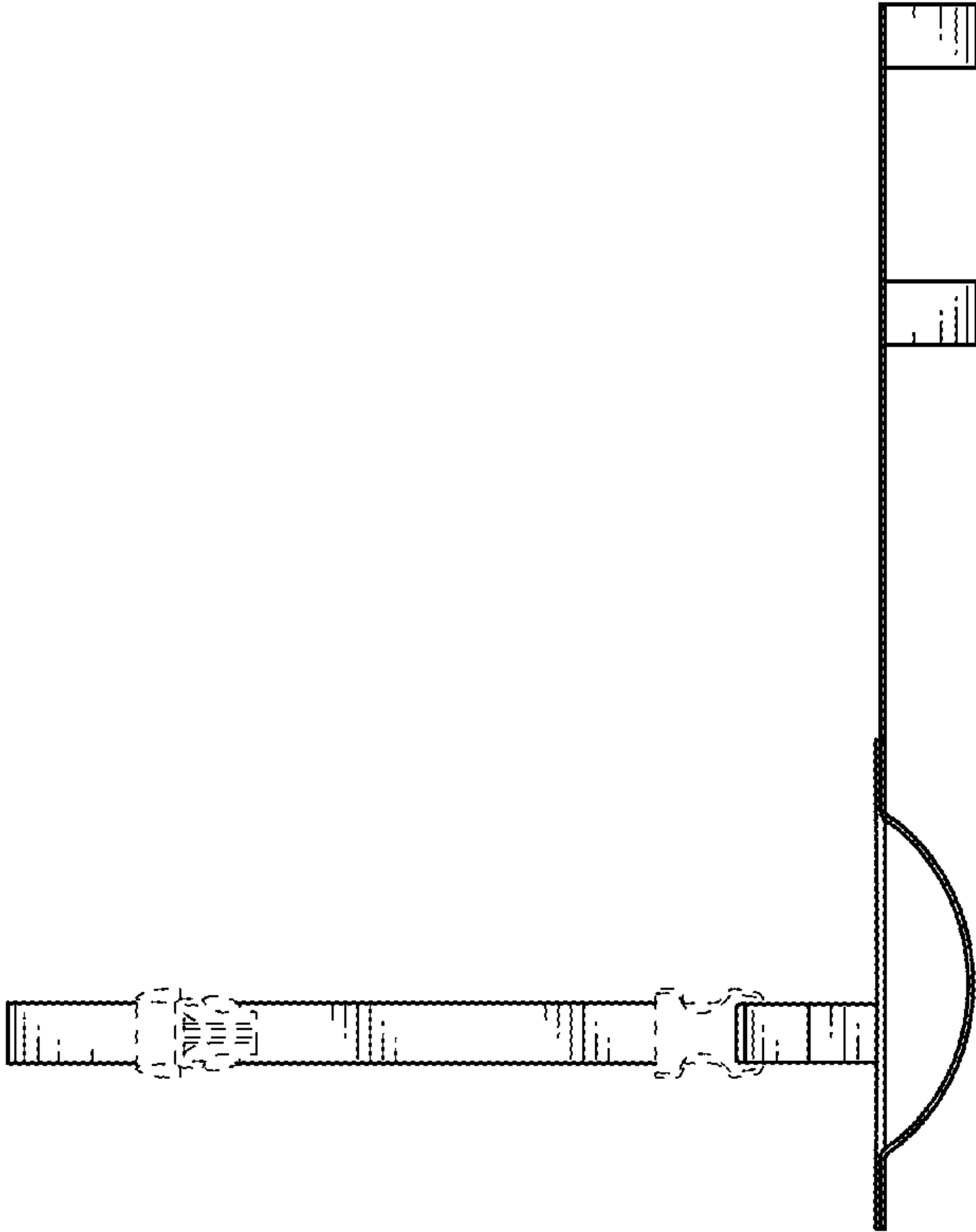


FIG. 5

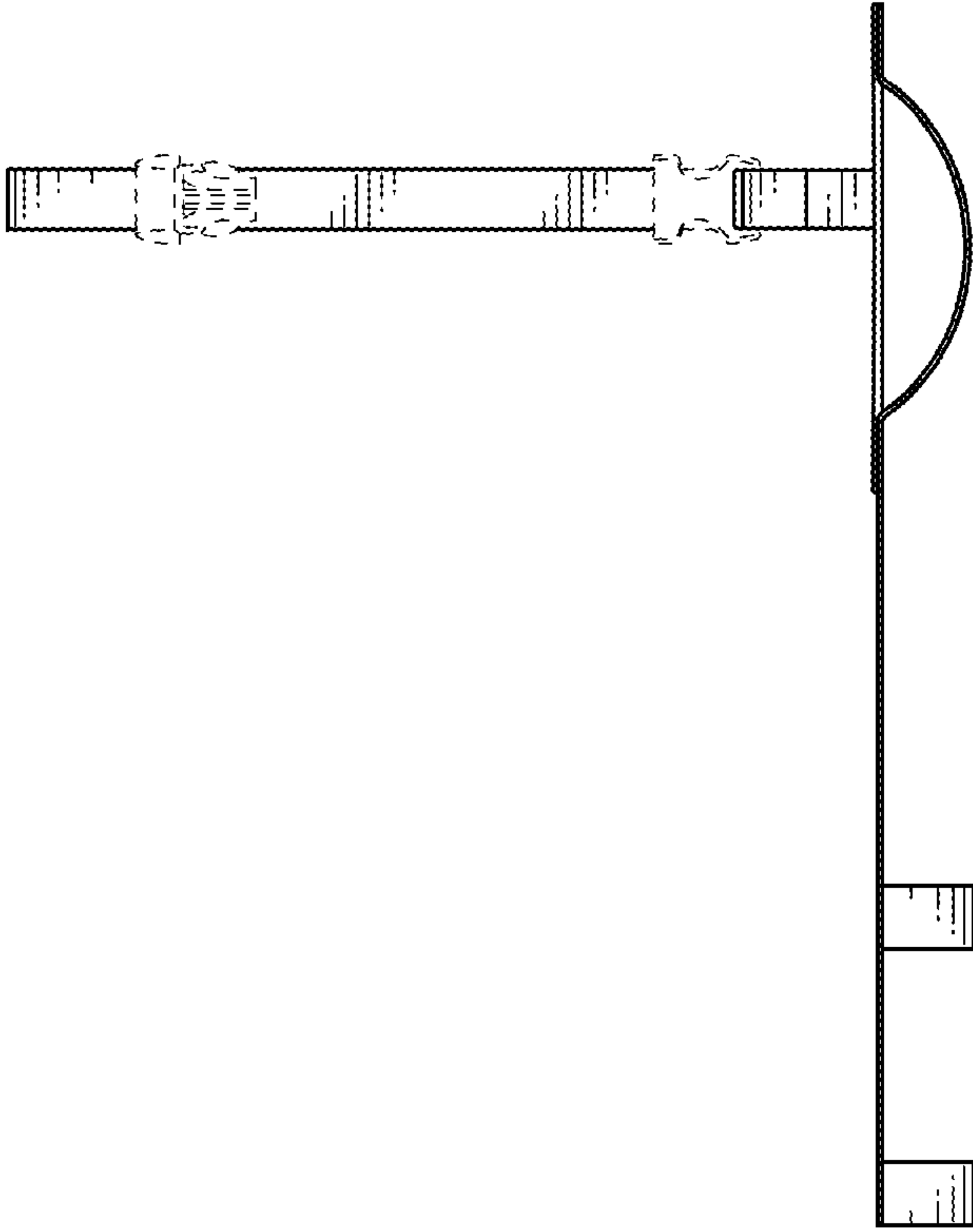


FIG. 6

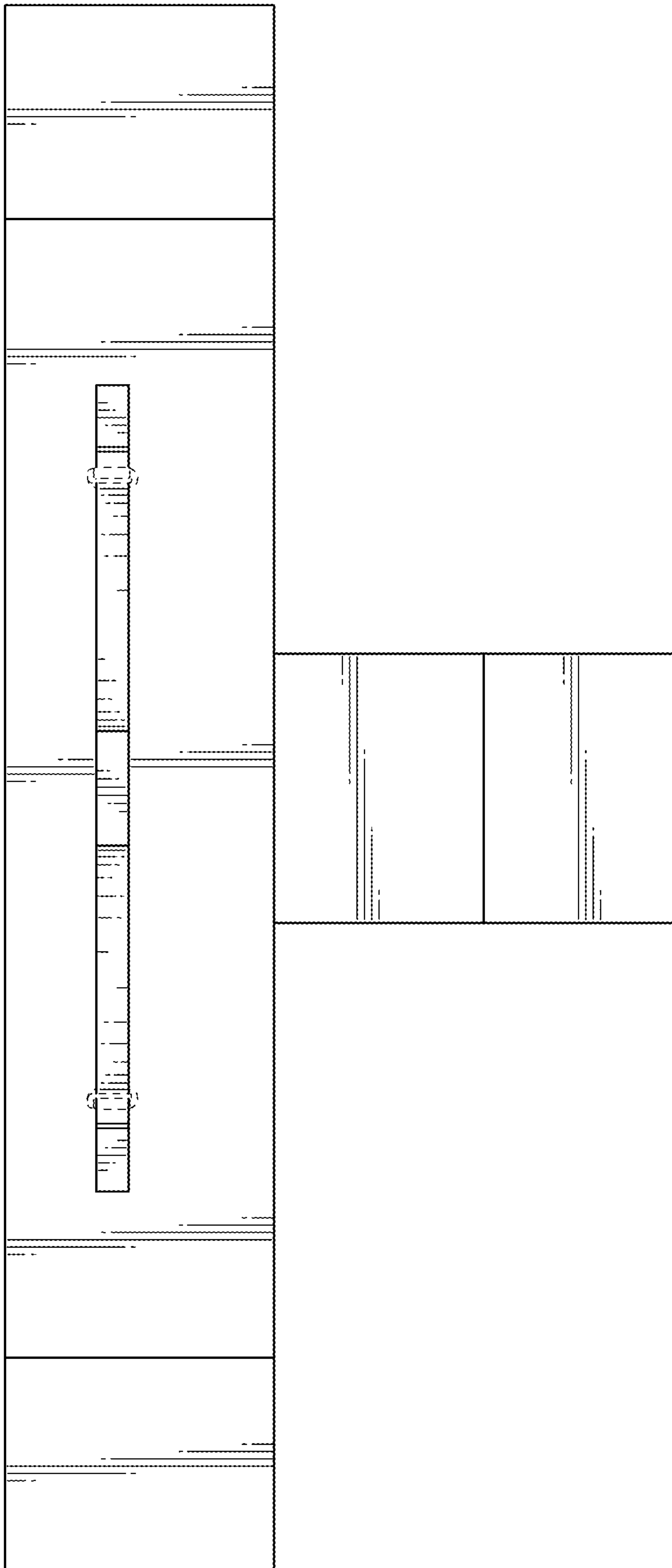


FIG. 7



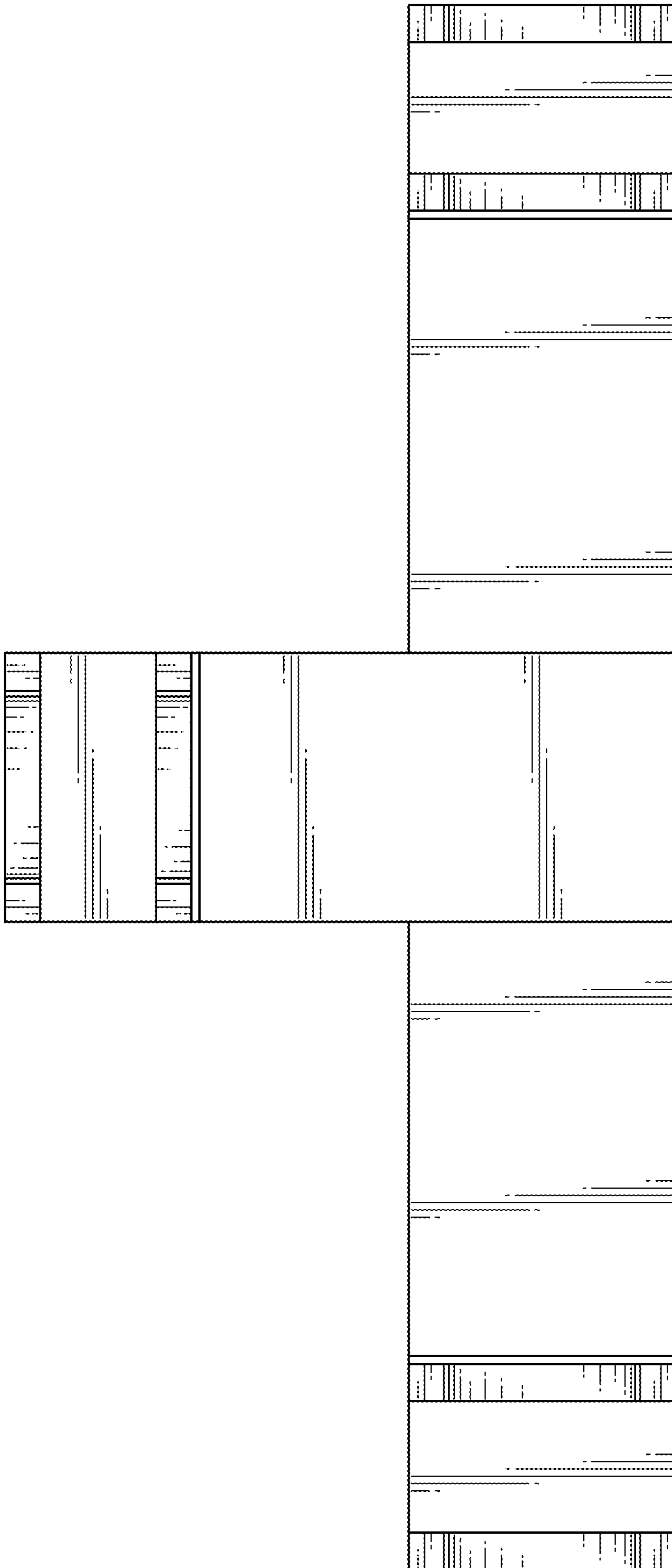


FIG. 8