



US0D1004053S

(12) **United States Design Patent**
Rosaen et al.

(10) **Patent No.:** **US D1,004,053 S**

(45) **Date of Patent:** **** Nov. 7, 2023**

(54) **FLOW PIN**

D256,052 S 7/1980 De Vaughn
4,326,516 A 4/1982 Schultz
4,388,835 A 6/1983 Rosaen
(Continued)

(71) Applicant: **Dwyer Instruments, LLC**, Michigan
City, IN (US)

(72) Inventors: **Lars O. Rosaen**, Plymouth, MI (US);
Peter E. Hackett, Belleville, MI (US)

(73) Assignee: **Dwyer Instruments, LLC**, Michigan
City, IN (US)

(**) Term: **15 Years**

(21) Appl. No.: **29/892,607**

(22) Filed: **May 19, 2023**

FOREIGN PATENT DOCUMENTS

WO 87004277 W 7/1987
WO 2010125392 A1 11/2010
WO 2014189395 A1 11/2014

OTHER PUBLICATIONS

Danco, Inc. Tub Spout Diverter Repair Kit Chrome, Oct. 10, 2014,
amazon.ca, Feb. 3, 2023, URL: <https://www.amazon.ca/Danco-Spout-Diverter-Repair-Chrome/dp/B005X7J8GM/> (Year: 2014).*

(Continued)

Related U.S. Application Data

(60) Division of application No. 29/725,104, filed on Feb.
21, 2020, which is a continuation-in-part of
application No. 16/774,781, filed on Jan. 28, 2020.

(51) **LOC (14) Cl.** **23-01**

(52) **U.S. Cl.**
USPC **D23/213**

(58) **Field of Classification Search**
USPC D23/213, 214, 215, 221-222, 223, 224,
D23/226, 229, 230, 259
CPC A61H 9/0021; A61H 33/00; B05B 1/00;
B05B 1/14; B05B 1/185; B05B 1/08;
B05B 1/02; B05B 1/26; B05B 12/002;
B05B 1/18; B05B 9/01
See application file for complete search history.

(56) **References Cited**

U.S. PATENT DOCUMENTS

3,218,853 A 11/1965 Ongaro
3,234,790 A 2/1966 Ekstrom
3,590,861 A 7/1971 Chittenden

Primary Examiner — Keith J Wilson

(74) *Attorney, Agent, or Firm* — Dinsmore & Shohl LLP

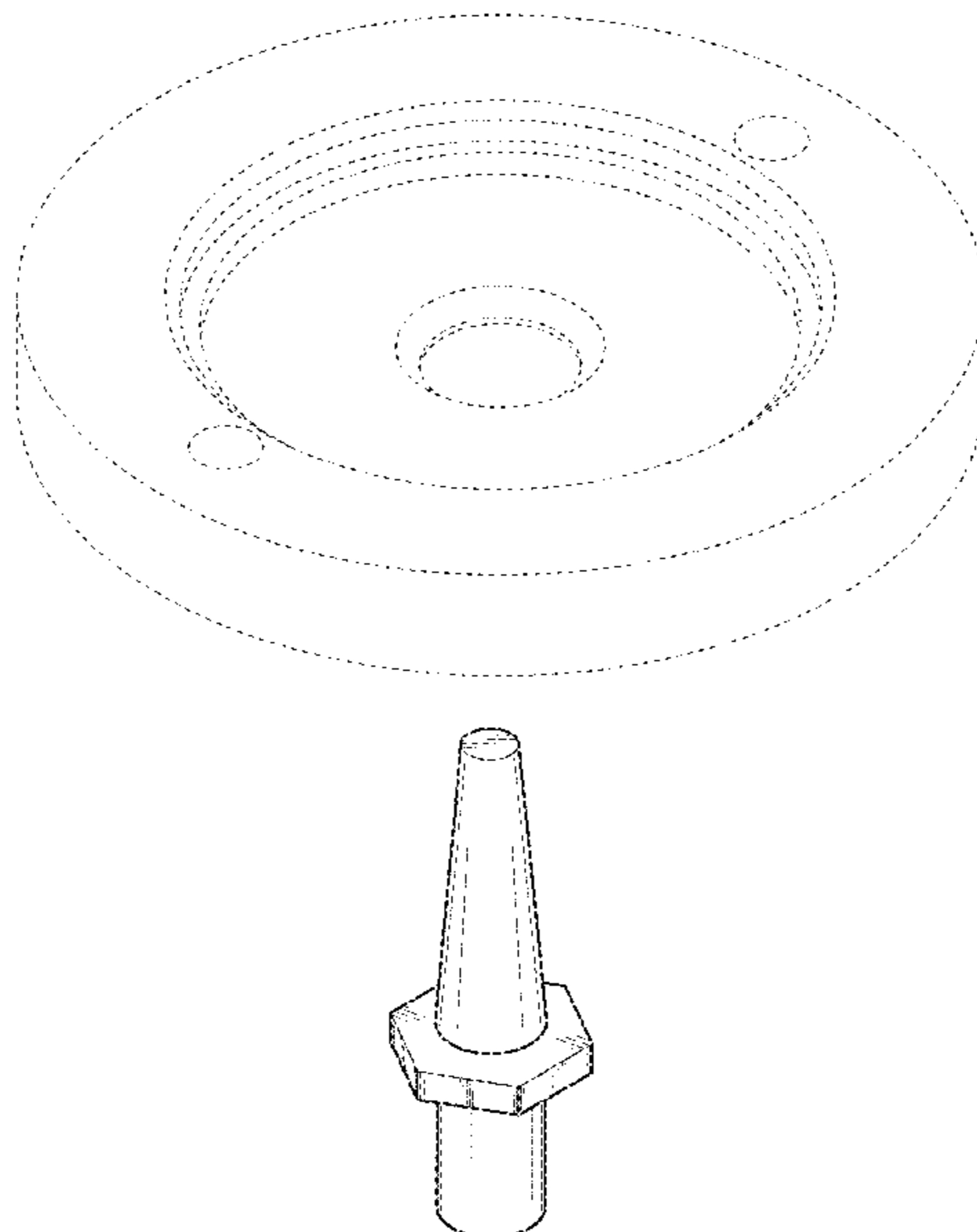
(57) **CLAIM**

The ornamental design for a flow pin, as shown and
described.

DESCRIPTION

FIG. 1 is a perspective view environmental including a front,
top and sides of a flow pin showing our new design;
FIG. 2 is a planar view of a front of the flow pin of FIG. 1;
FIG. 3 is a planar view of one side of the flow pin of FIG.
1;
FIG. 4 is a planar view of the rear of the flow pin of FIG. 1;
FIG. 5 is a planar view of an opposite side of the flow pin
of FIG. 1;
FIG. 6 is a planar view of the top of the flow pin of FIG. 1;
and,
FIG. 7 is a planar view of the bottom of the flow pin of FIG.
1.
The broken lines show are for displaying the environment in
which the design is associated and form no part of the
claimed design.

1 Claim, 2 Drawing Sheets



(56)

References Cited

U.S. PATENT DOCUMENTS

4,576,567 A * 3/1986 Gellert B29C 45/30
425/549
4,711,602 A * 12/1987 Baker B29C 45/0025
425/207
4,869,432 A 9/1989 Christy
D393,048 S 3/1998 Hearvey
6,074,195 A * 6/2000 Belous B29C 45/278
425/549
6,202,342 B1 * 3/2001 Edwards A01M 1/2011
43/132.1
D443,021 S * 5/2001 Maddox D23/213
D445,895 S 7/2001 Svendsen
6,325,096 B1 12/2001 Rising
6,390,391 B1 5/2002 Ulin
D458,343 S 6/2002 Chen
6,716,421 B2 4/2004 Brode, III
6,914,531 B1 7/2005 Young
7,128,086 B2 10/2006 Kirchner
D535,721 S * 1/2007 Ford D23/213
7,238,019 B2 * 7/2007 Schwenk B29C 45/278
425/549
7,363,940 B2 4/2008 Oberley
7,401,622 B2 7/2008 Ungerecht
D716,419 S 10/2014 Hernandez

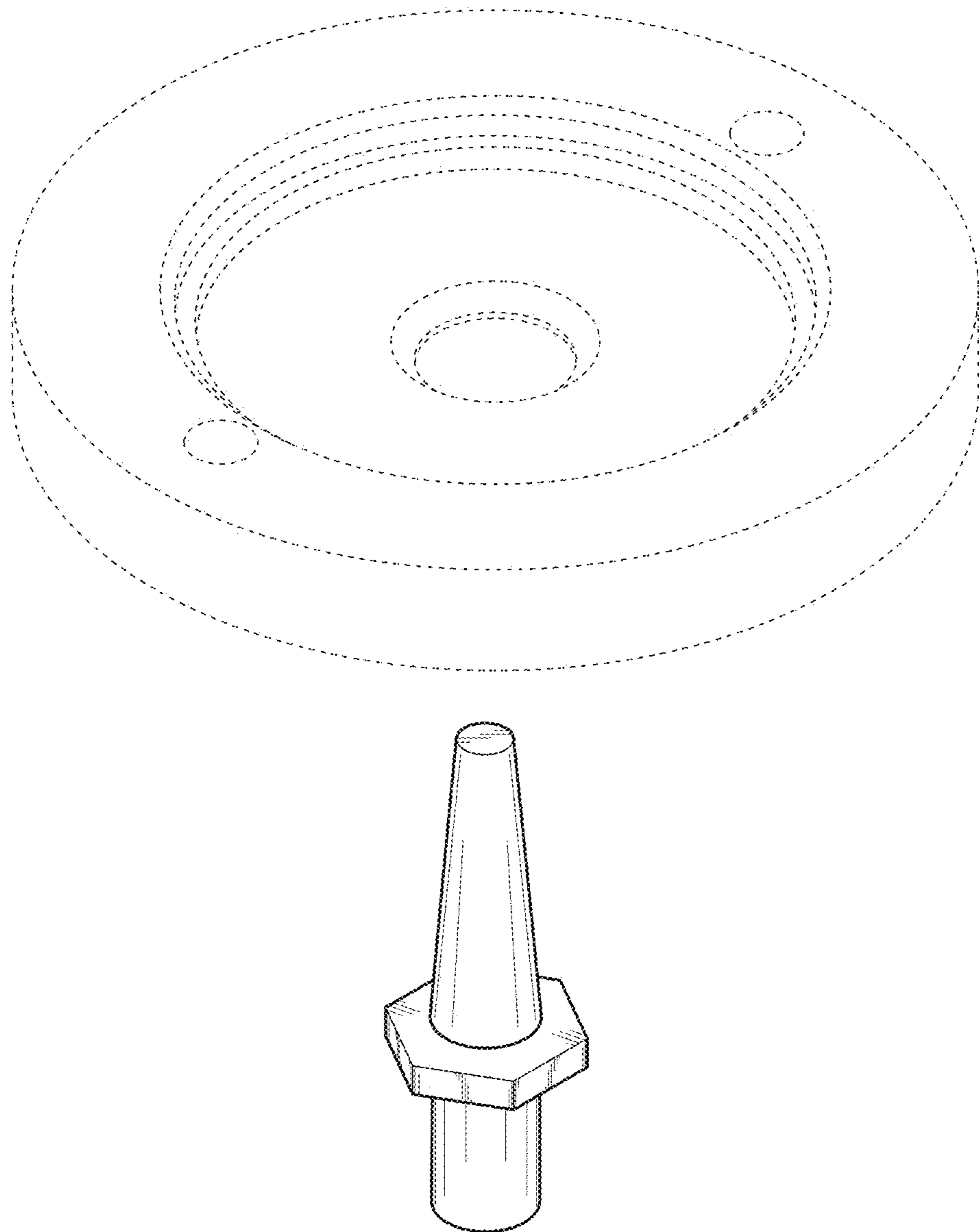
D725,749 S 3/2015 Mezzalira
9,850,741 B2 12/2017 Cassel
10,126,758 B2 11/2018 Ottestad
D867,529 S 11/2019 Yang
D887,269 S 6/2020 Marik
D904,564 S * 12/2020 Villeneuve D23/213
D931,409 S * 9/2021 Stanca D23/213
11,185,874 B2 * 11/2021 Ekkert B05B 1/3489
D950,012 S * 4/2022 Reed D23/213
D964,515 S * 9/2022 Villeneuve D23/213
2002/0081348 A1 * 6/2002 Bouti B29C 45/30
425/549
2002/0100506 A1 8/2002 May
2005/0011554 A1 1/2005 Davila
2012/0241662 A1 9/2012 Clifford
2014/0239095 A1 * 8/2014 Short B05B 1/14
239/404

OTHER PUBLICATIONS

Anyyion Glue Gun Nozzle, Yellow, Jul. 1, 2017, amazon.sg, Jun. 9, 2023, URL: <https://www.amazon.sg/Anyyion-Glue-Nozzle-Yellow-4PCS/dp/B074DR2CDB> (Year: 2017).*
Elster American Meter, Axial Flow Valves, Installation Instructions and Repair Parts List, 2013, pp. 1-30, Nebraska City, NE.

* cited by examiner

FIG. 1



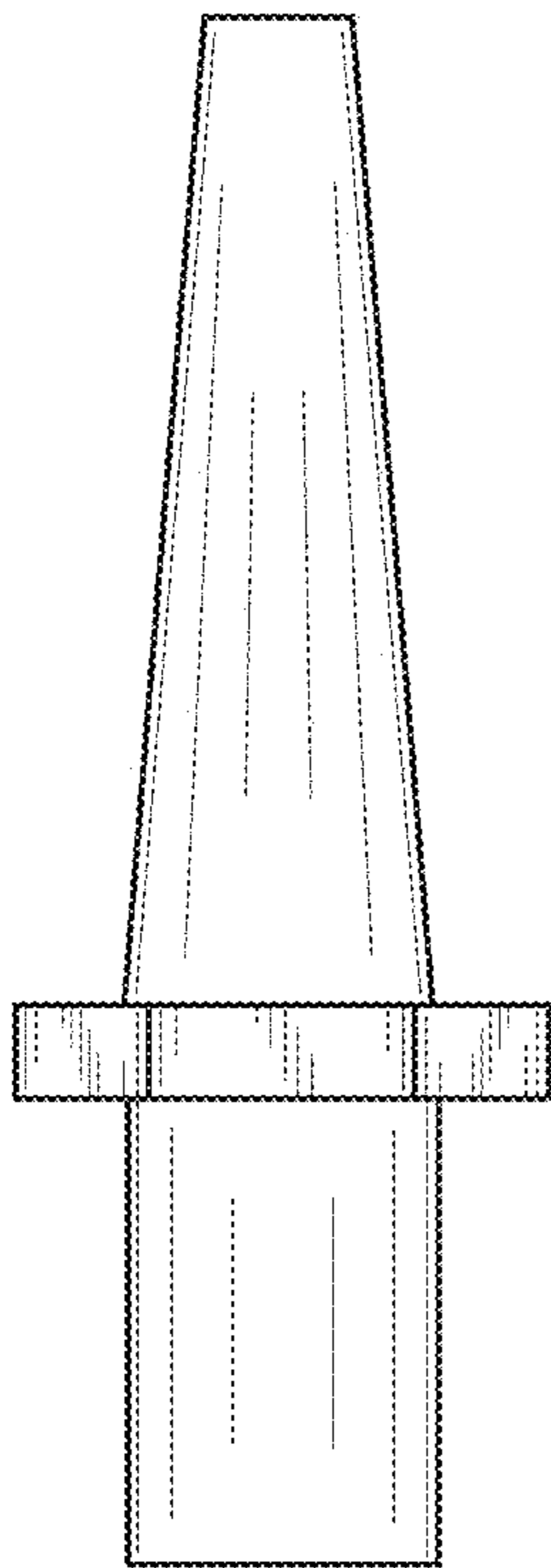


FIG. 2

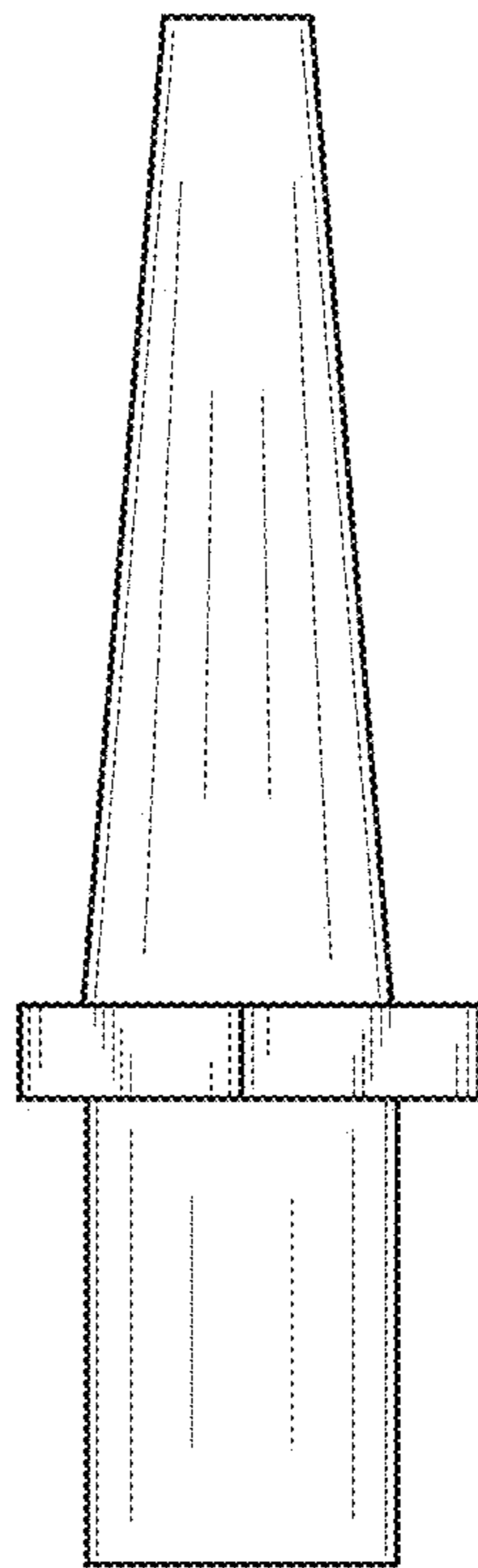


FIG. 3

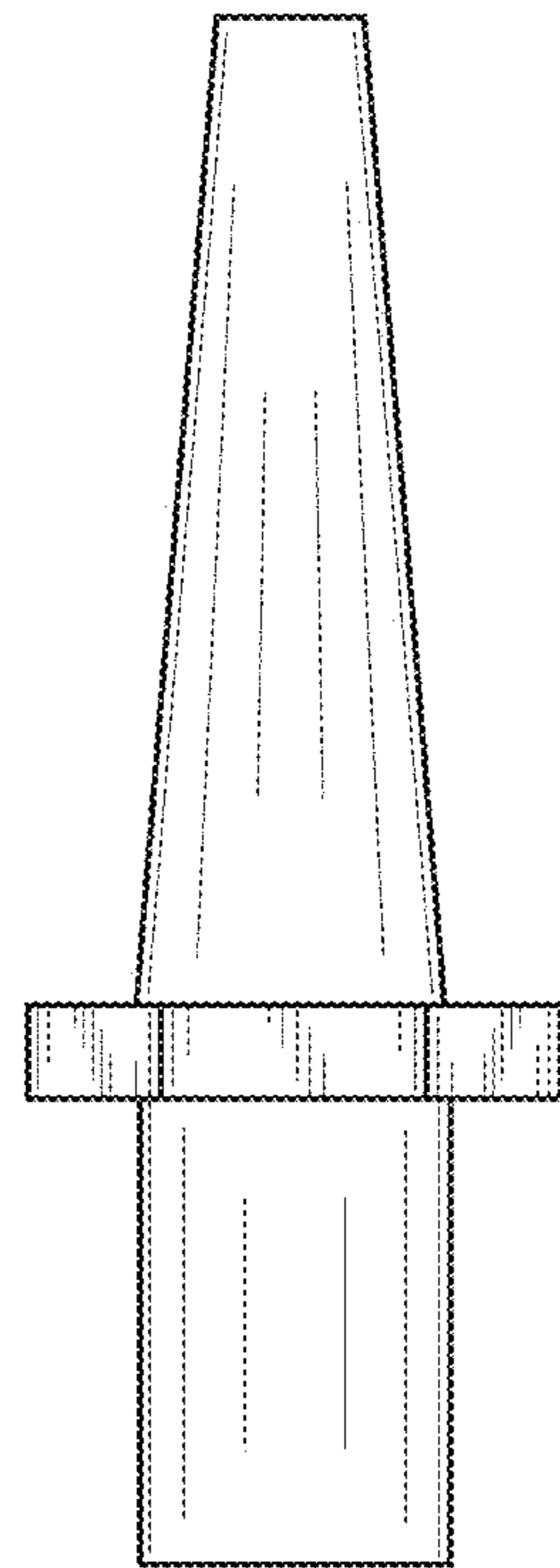


FIG. 4

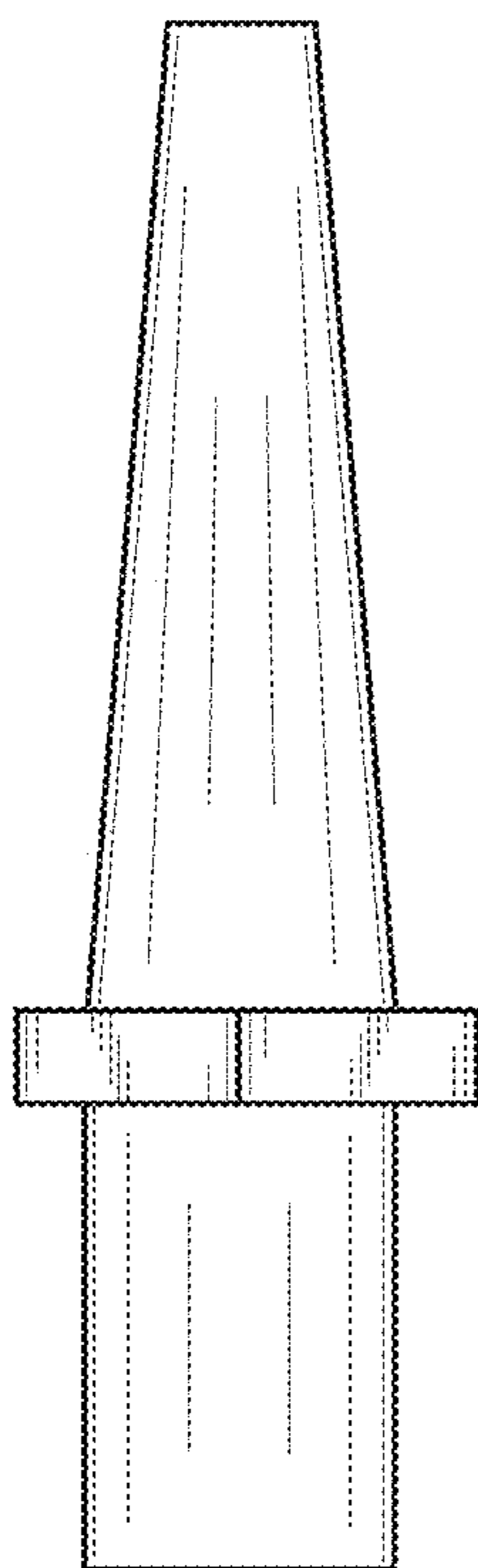


FIG. 5

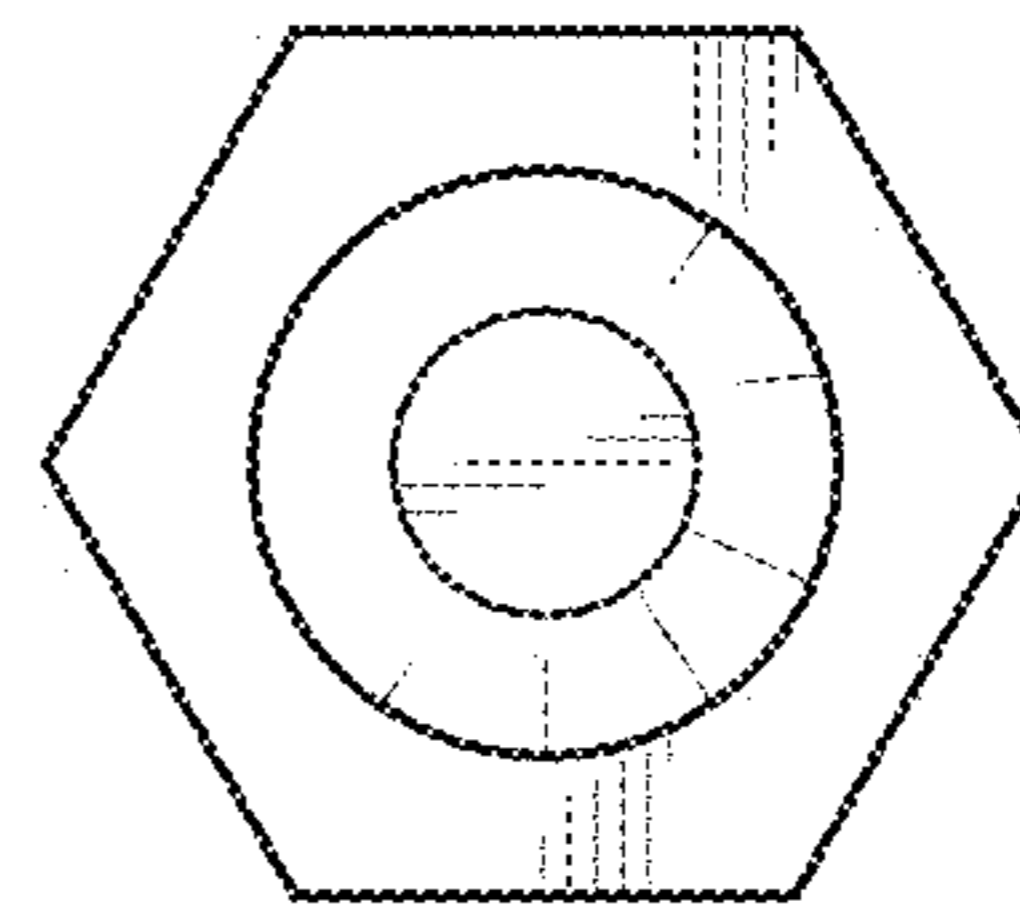


FIG. 6

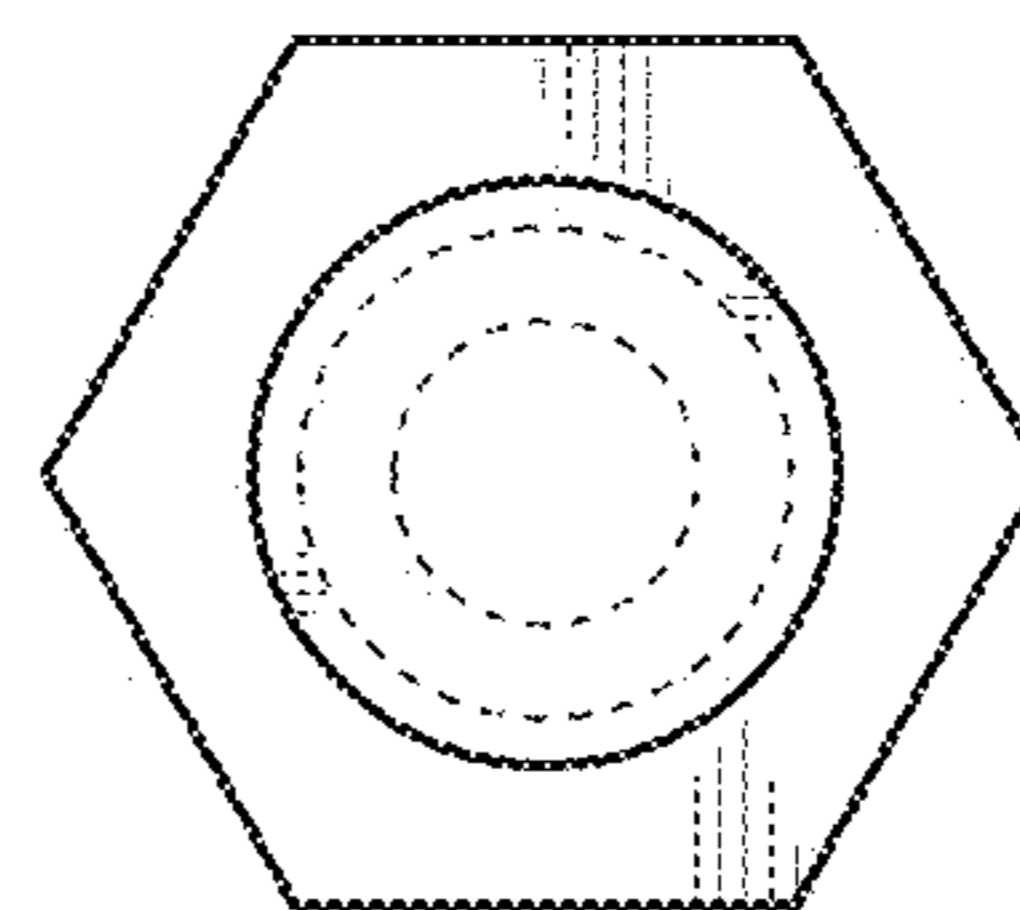


FIG. 7