



US0D1004035S

(12) **United States Design Patent**  
**DiMuzio et al.**

(10) **Patent No.:** **US D1,004,035 S**

(45) **Date of Patent:** **\*\* Nov. 7, 2023**

- (54) **BOLT CATCH FOR A FIREARM**
  - (71) Applicant: **22 Evolution LLC**, Columbia, MO (US)
  - (72) Inventors: **Philip Robert DiMuzio**, Columbia, MO (US); **Joshua Thomas Yudys**, Columbia, MO (US); **John L. Overstreet**, Fayette, MO (US)
  - (73) Assignee: **22 Evolution LLC**, Columbia, MO (US)
  - (\*\*) Term: **15 Years**
  - (21) Appl. No.: **29/798,313**
  - (22) Filed: **Jul. 7, 2021**
  - (51) **LOC (14) Cl.** ..... **22-01**
  - (52) **U.S. Cl.**  
USPC ..... **D22/108**
  - (58) **Field of Classification Search**  
USPC ..... D22/100, 101, 103, 108; D21/573  
CPC . F41G 1/00; F41G 1/22; F41G 11/003; F41A 21/26; F41A 35/04; F41A 35/02; F41C 23/00; F41C 23/06; F41C 23/20; F41C 23/14; F41C 23/16
- See application file for complete search history.

D892,961 S *	8/2020	Sugg	.....	D22/108
10,816,295 B1 *	10/2020	Oglesby	.....	F41A 3/72
11,175,108 B1 *	11/2021	Lee	.....	F41A 17/42
11,199,370 B1 *	12/2021	Sugg	.....	F41A 5/26
11,668,538 B1 *	6/2023	DiMuzio	.....	F41A 3/20
				42/16
2016/0258696 A1 *	9/2016	Fluhr	.....	F41A 17/36
2018/0100714 A1 *	4/2018	Borders	.....	F41A 3/72
2019/0137202 A1 *	5/2019	Facchini	.....	F41A 3/72

**OTHER PUBLICATIONS**

“CMMG Zeroed—New Parts Added!” [online]. CMMG. [Published on Aug. 31, 2021]. Retrieved from the Internet: <<https://www.youtube.com/watch?v=kHuDcRxturM>>.\*

“Wilson Combat AR-15 Extended Oversize Bolt Release” [online]. Wilson Combat. [Retrieved Jun. 15, 2023]. Retrieved from the Internet: <<https://www.midwestgunworks.com/page/mgwi/prod/wc-tr-ebr>>.\*

\* cited by examiner

*Primary Examiner* — Mojtaba Tehrani

(74) *Attorney, Agent, or Firm* — Dinsmore & Shohl LLP

(57) **CLAIM**

The ornamental design for a bolt catch for a firearm, as shown and described.

**DESCRIPTION**

FIG. 1 is a first perspective view of a bolt catch for a firearm, showing our new design;

FIG. 2 is a second rotated perspective view of the design of FIG. 1;

FIG. 3 is a front plan view of the design of FIG. 1;

FIG. 4 is a rear plan view of the design of FIG. 1;

FIG. 5 is a right side view of the design of FIG. 1;

FIG. 6 is a left side view of the design of FIG. 1;

FIG. 7 is top view of the design of FIG. 1; and

FIG. 8 is a bottom view of the design of FIG. 1.

**1 Claim, 6 Drawing Sheets**

(56) **References Cited**

**U.S. PATENT DOCUMENTS**

D760,862 S *	7/2016	Wang	.....	D22/108
D770,589 S *	11/2016	Underwood	.....	F41A 35/06
				D22/108
D784,478 S	4/2017	Therrell		
D797,878 S *	9/2017	Wang	.....	D22/108
D805,155 S *	12/2017	Geissele	.....	D22/108
D815,711 S	4/2018	Holm		
D859,567 S *	9/2019	Geissele	.....	D22/108
D859,568 S *	9/2019	Geissele	.....	D22/108
D859,569 S *	9/2019	Geissele	.....	D22/108
D859,570 S *	9/2019	Geissele	.....	D22/108

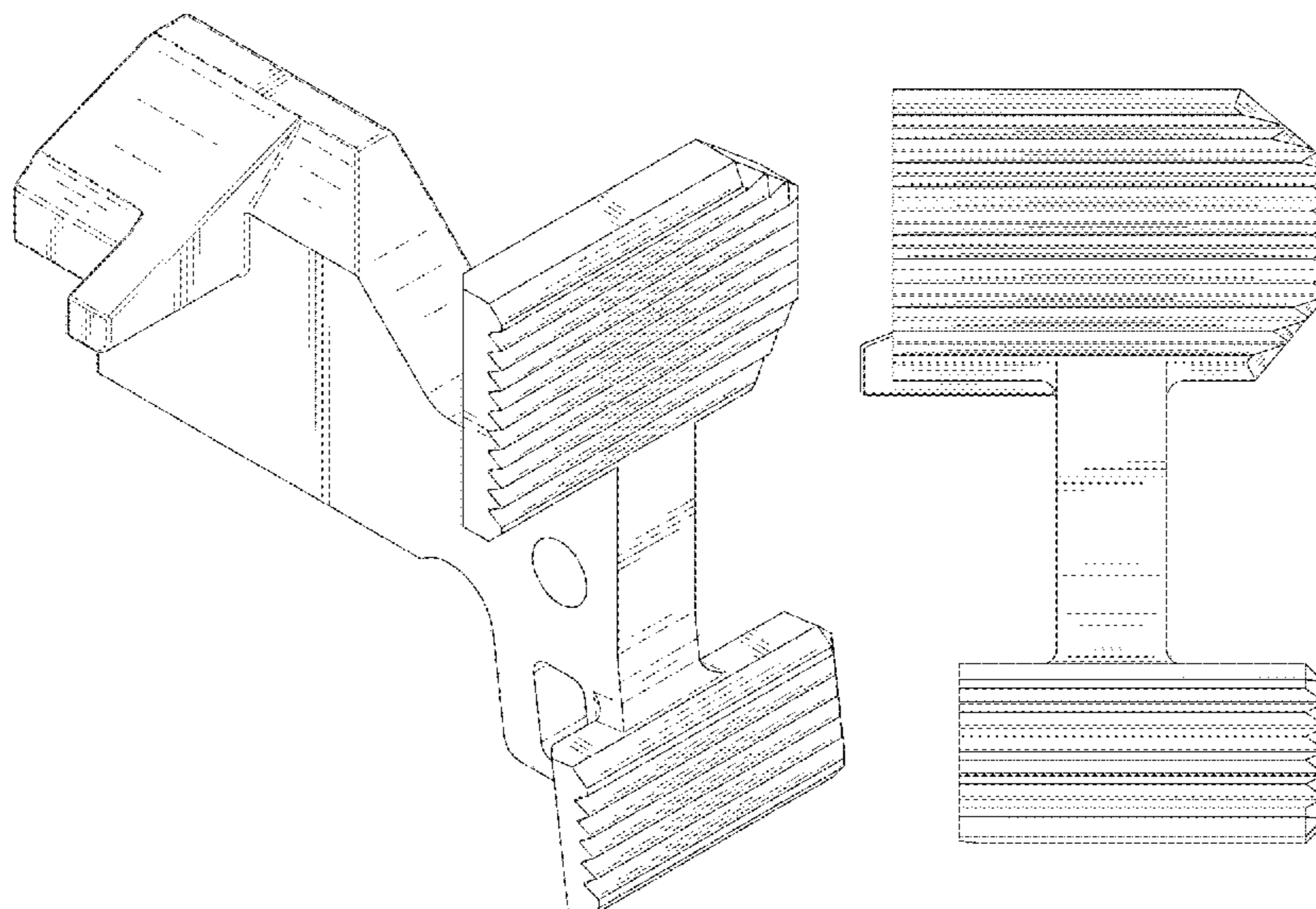
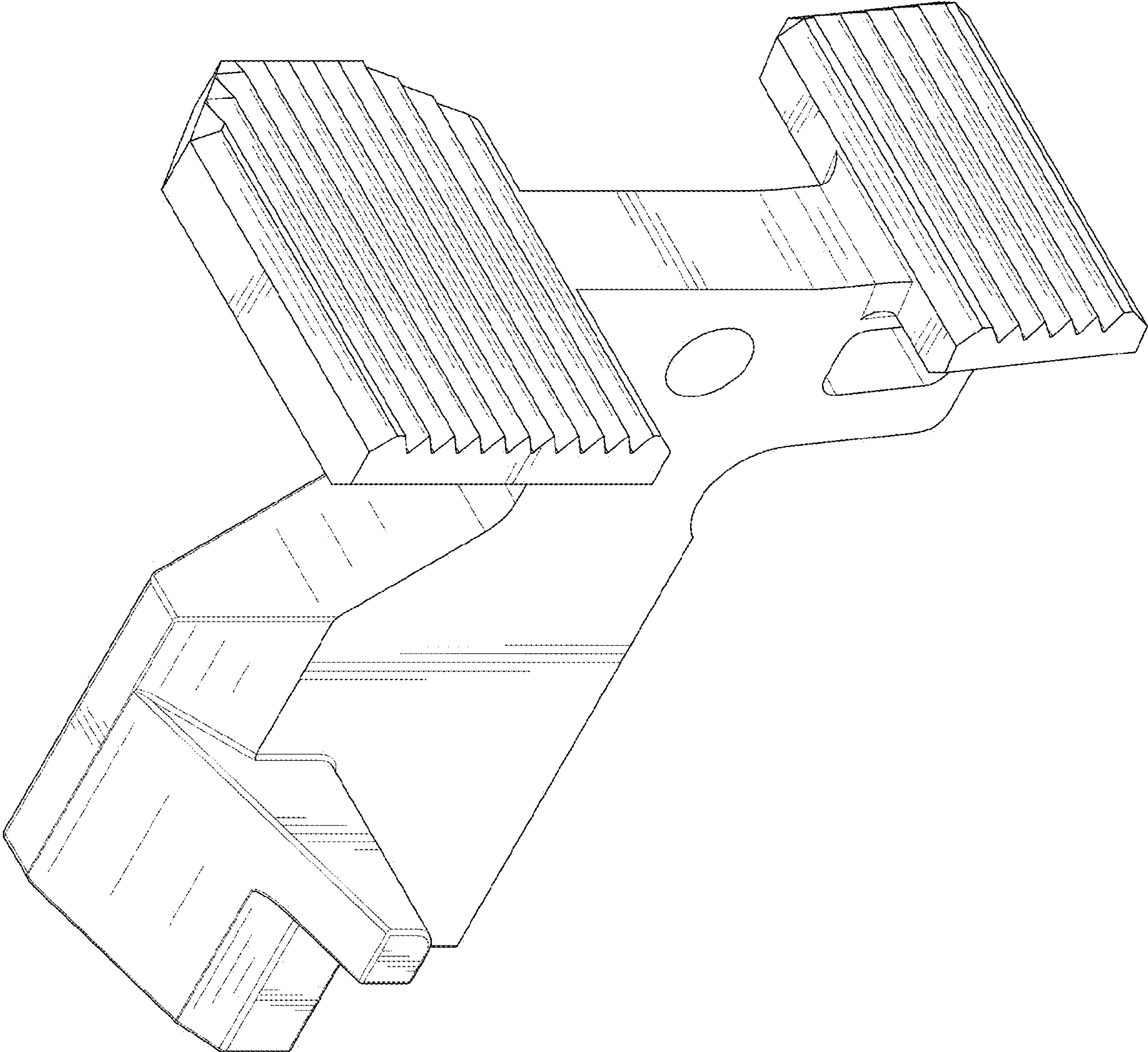


FIG. 1



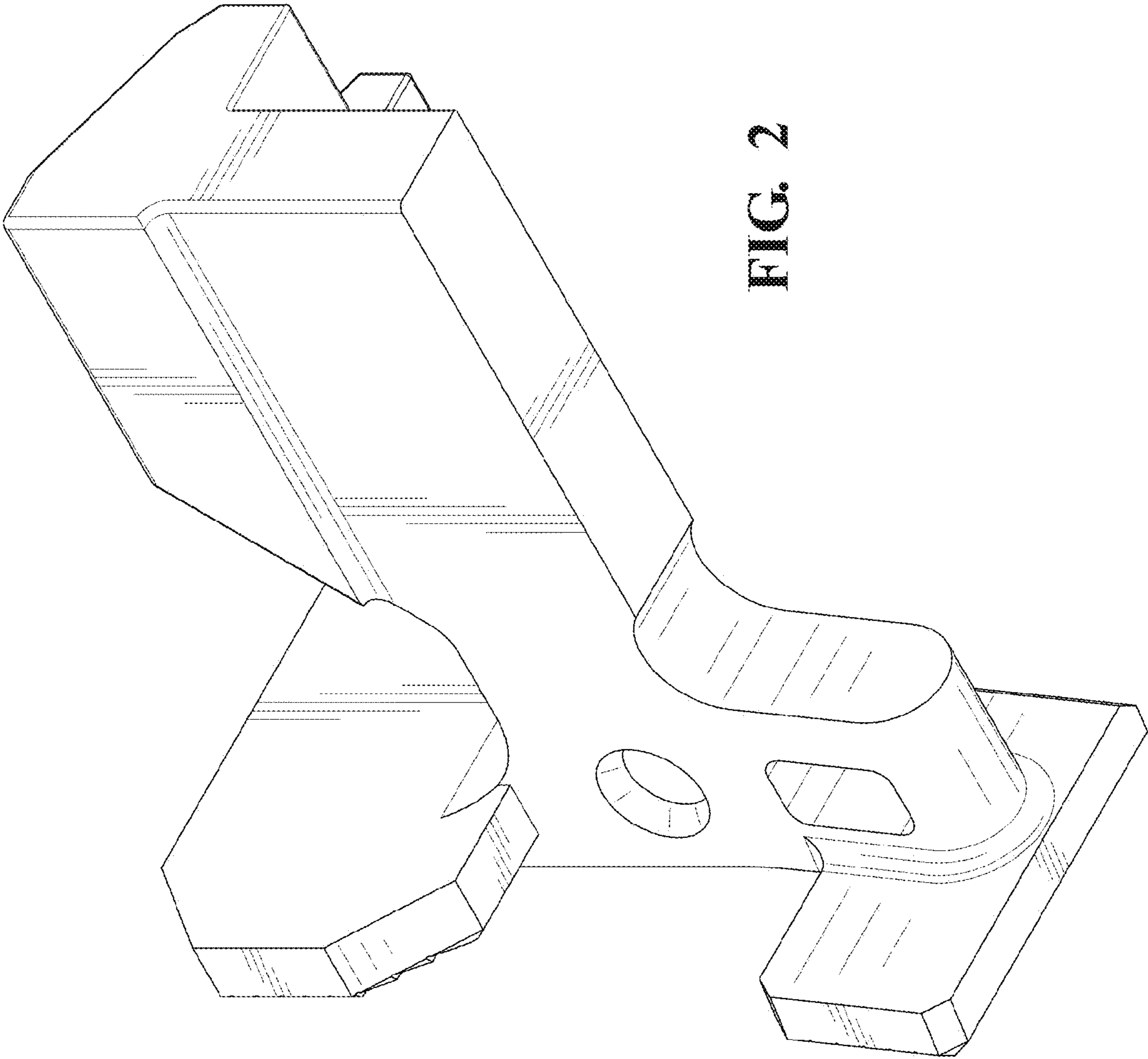


FIG. 2

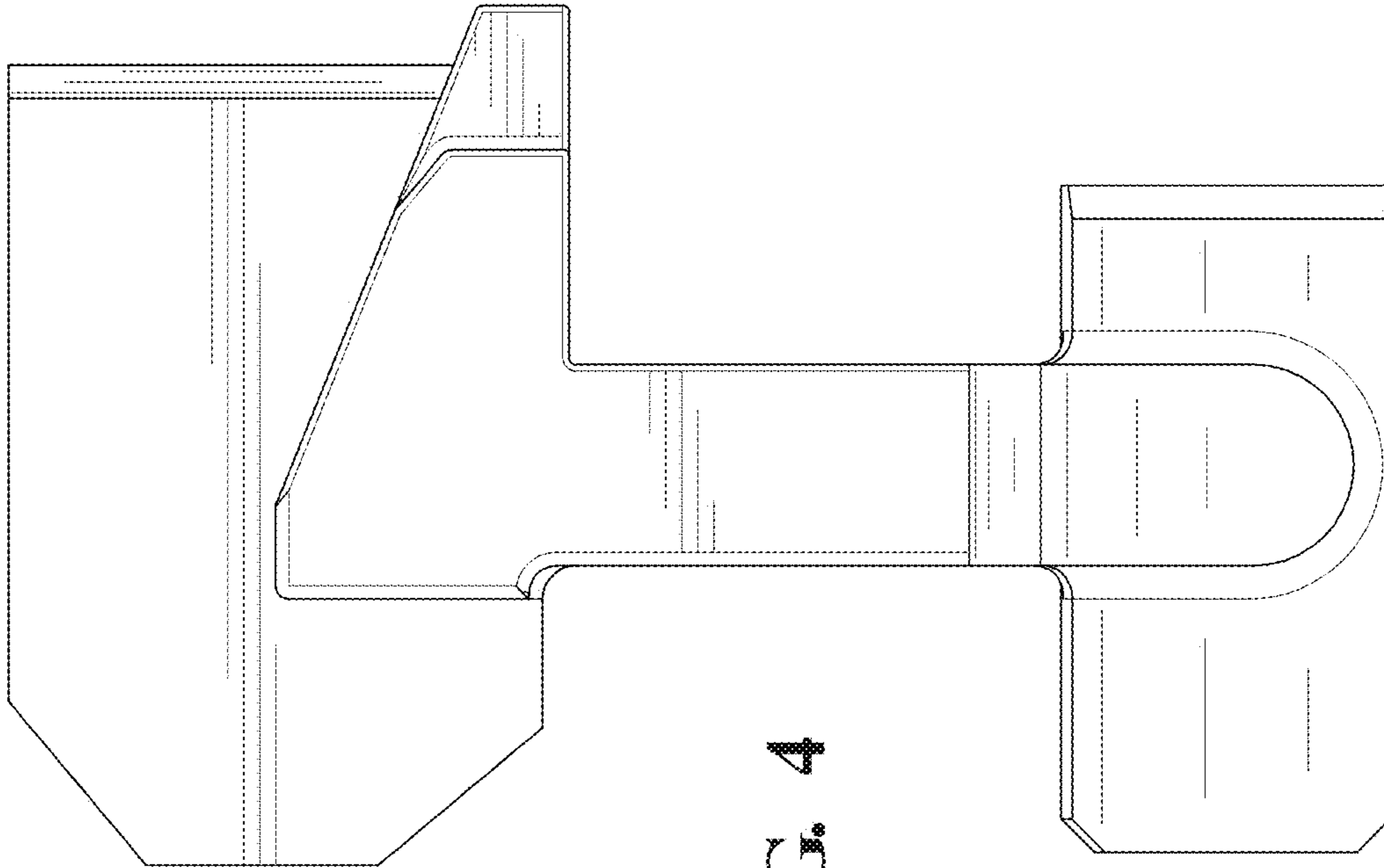


FIG. 4

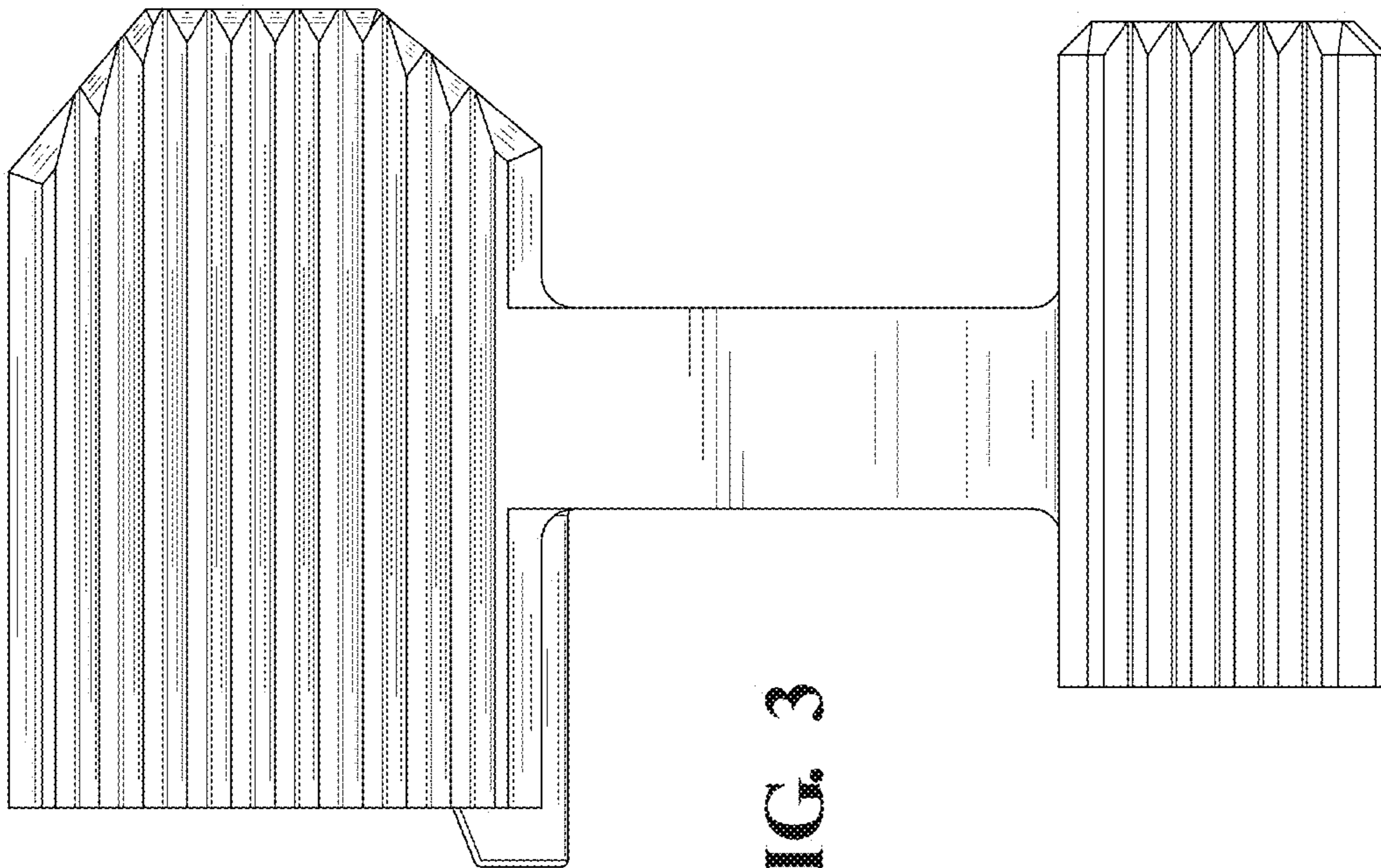
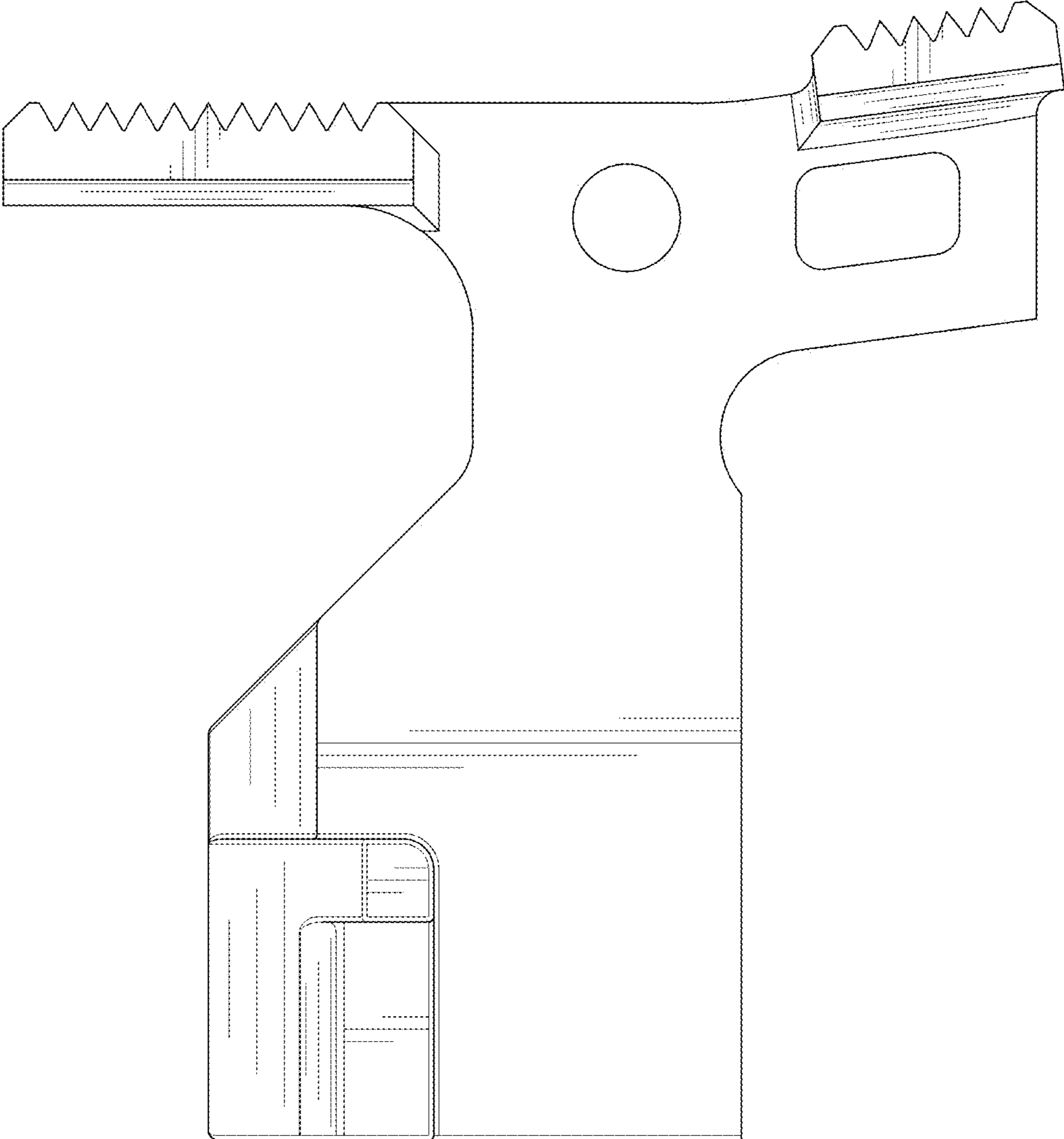


FIG. 3

FIG. 5



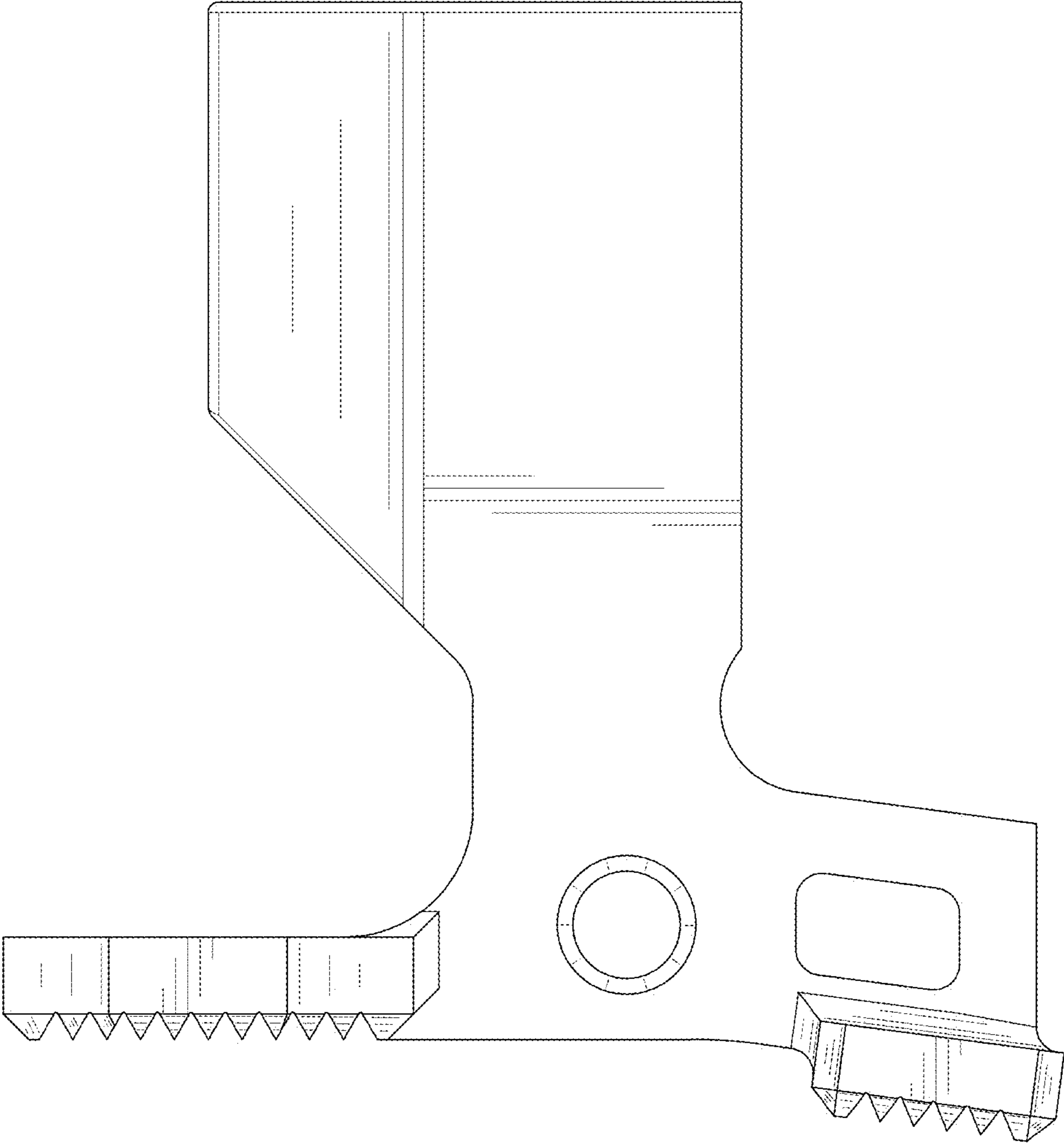


FIG. 6

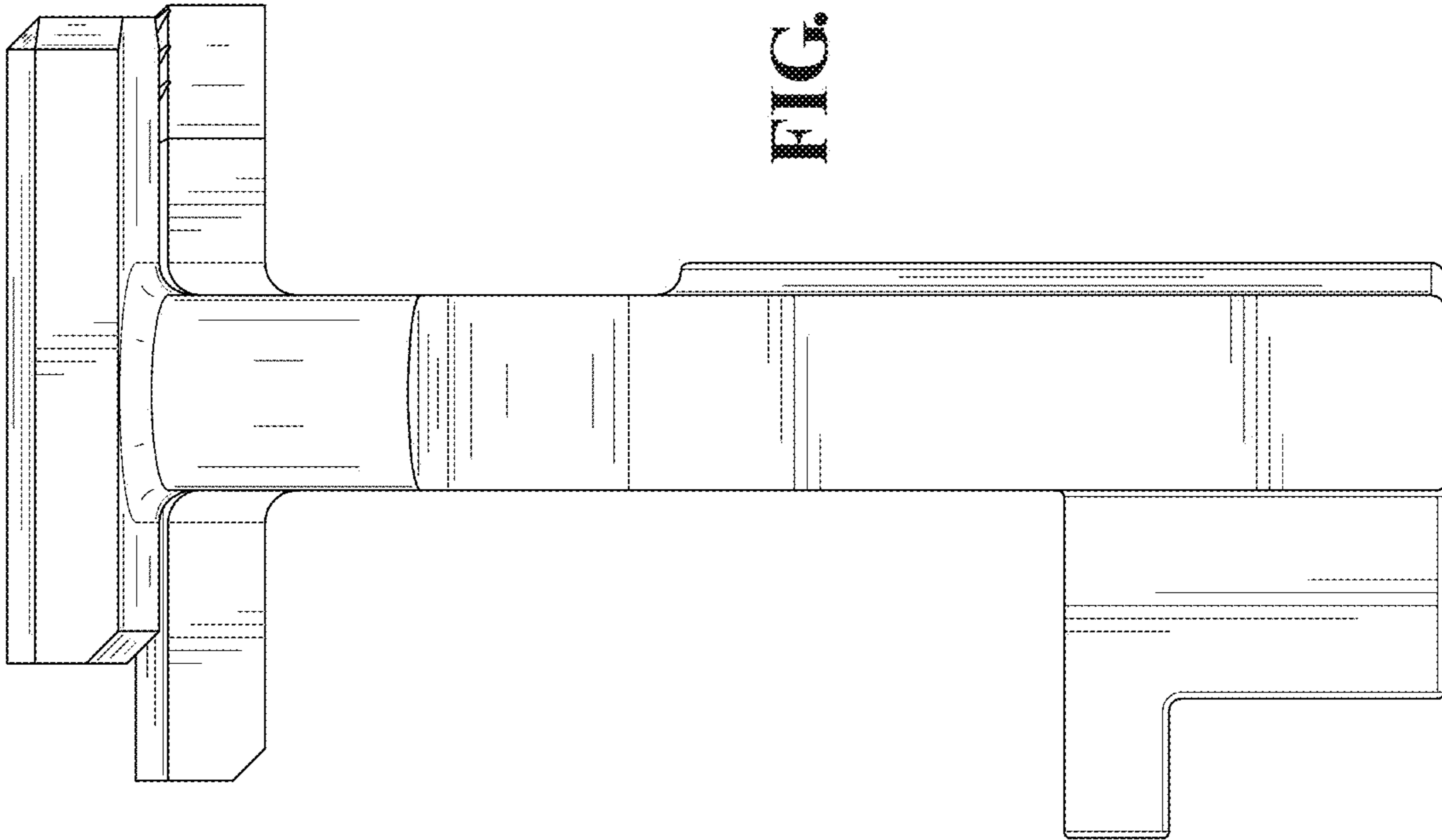


FIG. 8

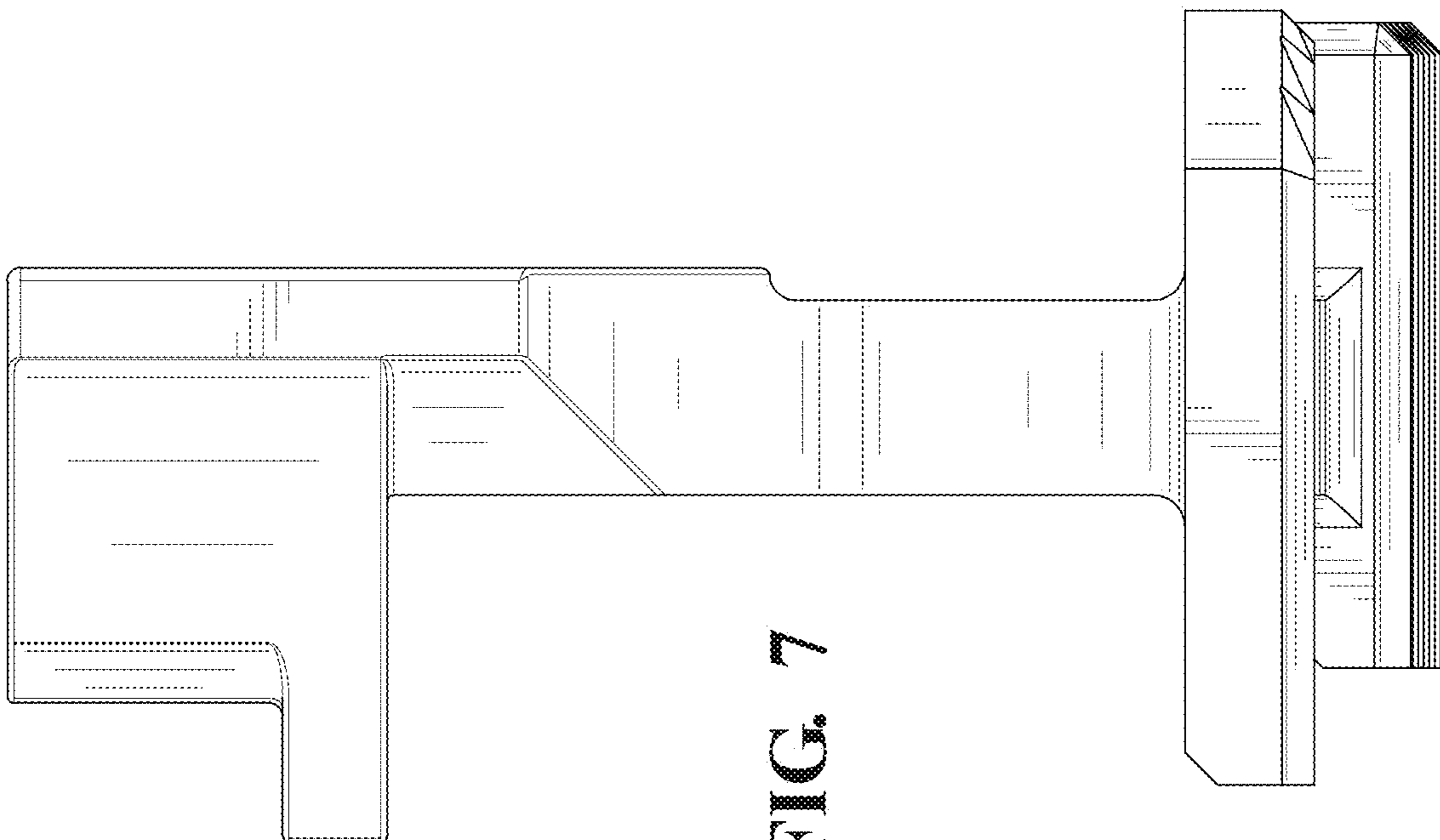


FIG. 7