



US0D1003539S

(12) **United States Design Patent** (10) **Patent No.:** **US D1,003,539 S**
Tang (45) **Date of Patent:** **** Oct. 31, 2023**

(54) **PET UFO RAINCOAT**

(71) Applicant: **Yuao Tang**, Jinhua (CN)

(72) Inventor: **Yuao Tang**, Jinhua (CN)

(**) Term: **15 Years**

(21) Appl. No.: **29/874,616**

(22) Filed: **Apr. 21, 2023**

(51) **LOC (14) Cl.** **30-01**

(52) **U.S. Cl.**
USPC **D30/145**

(58) **Field of Classification Search**
USPC D2/829; D21/804–806; D29/101.1,
D29/101.3, 101.4; D30/144, 145, 151,
D30/152, 199
CPC A01K 13/00; A01K 13/006; A01K 13/008;
A01K 27/002; A01K 27/008; A01K
1/0263; A41B 13/08; A61D 9/00
See application file for complete search history.

(56) **References Cited**

U.S. PATENT DOCUMENTS

- 3,248,852 A * 5/1966 Schwartz A01K 13/006
54/79.1
- D213,053 S * 12/1968 Church D30/145
- D220,191 S * 3/1971 Giordano 54/79.1
- 3,918,238 A * 11/1975 Iozzio A01K 13/006
54/79.2
- D324,117 S * 2/1992 Antoine 224/186
- 5,546,970 A * 8/1996 Amato A01K 13/00
135/96
- D374,315 S * 10/1996 Caditz D30/145
- D379,687 S * 6/1997 Curtis D30/144
- 6,170,438 B1 * 1/2001 Marwah A01K 13/006
54/79.1
- D441,924 S * 5/2001 Mann D30/145
- 6,584,939 B1 * 7/2003 Brezinski A01K 13/008
D30/145
- D481,835 S * 11/2003 Williams D30/145

- 8,413,670 B1 * 4/2013 Richardson, Jr. A01K 27/002
135/15.1
- D777,995 S * 1/2017 Thitz D30/145
- D777,996 S * 1/2017 Thitz D30/145
- D826,483 S 8/2018 Yun
- D929,050 S * 8/2021 Shen D30/145
- 2003/0029389 A1 * 2/2003 Sporn A01K 13/006
119/850

(Continued)

FOREIGN PATENT DOCUMENTS

CN 304785215 * 8/2018

OTHER PUBLICATIONS

Yellow Dog Raincoat UFO Small Dog Rain Jacket With Hood, available in Petmallco.com, announced May 27, 2021 [online], [site visited Jun. 7, 2023], Internet URL: <https://www.petmallco.com/UFO-Yellow-Dog-Raincoat-with-Hood.html> (Year: 2021).*

Primary Examiner — Vy N Koenig
Assistant Examiner — Elizabeth Anne Glassberg
(74) *Attorney, Agent, or Firm* — Vladimir Postnikov

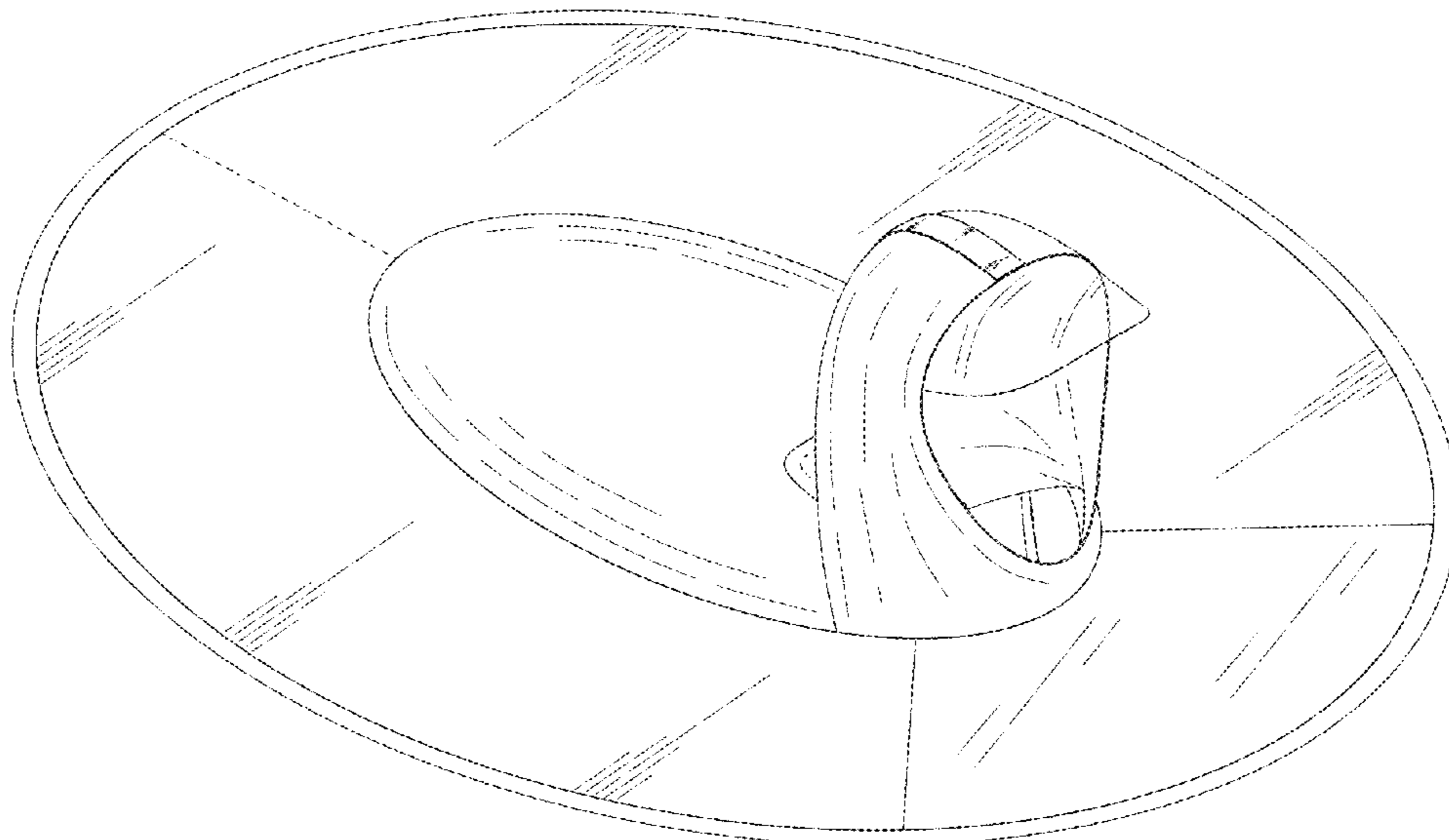
(57) **CLAIM**

The ornamental design for a pet UFO raincoat, as shown and described.

DESCRIPTION

FIG. 1 is a perspective view of a pet UFO raincoat showing the new design;
FIG. 2 is a front elevation view thereof;
FIG. 3 is a back elevation view thereof;
FIG. 4 is a left-side view thereof;
FIG. 5 is a right-side view thereof;
FIG. 6 is a top plan view thereof; and,
FIG. 7 is a bottom plan view thereof.
The broken lines depict portions of the article that form no part of the claimed design.

1 Claim, 7 Drawing Sheets



(56)

References Cited

U.S. PATENT DOCUMENTS

2008/0047995 A1* 2/2008 Psilogenis A45C 9/00
135/16
2010/0206247 A1* 8/2010 Cheng A01K 13/006
119/850

* cited by examiner

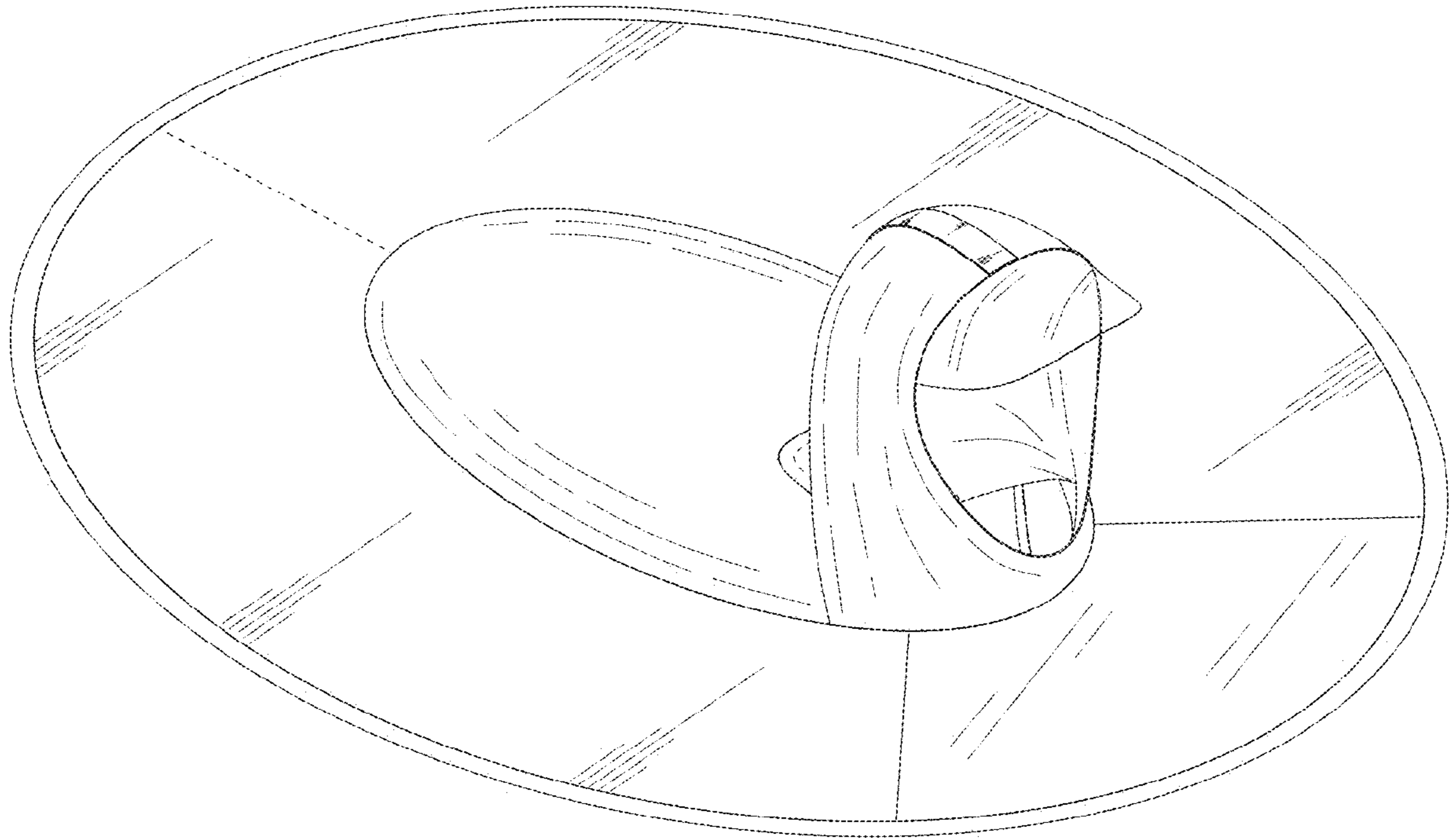


FIG. 1

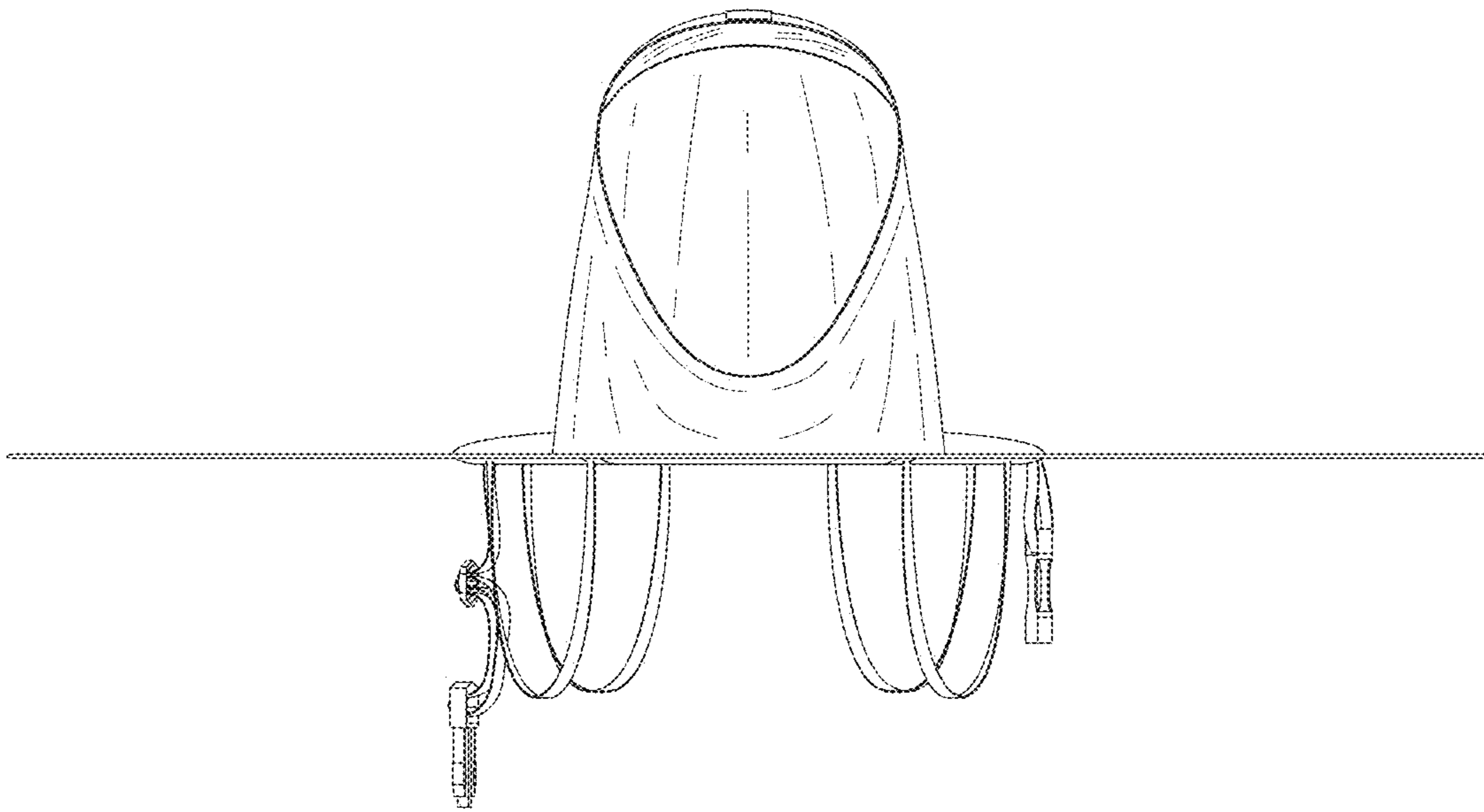


FIG. 2

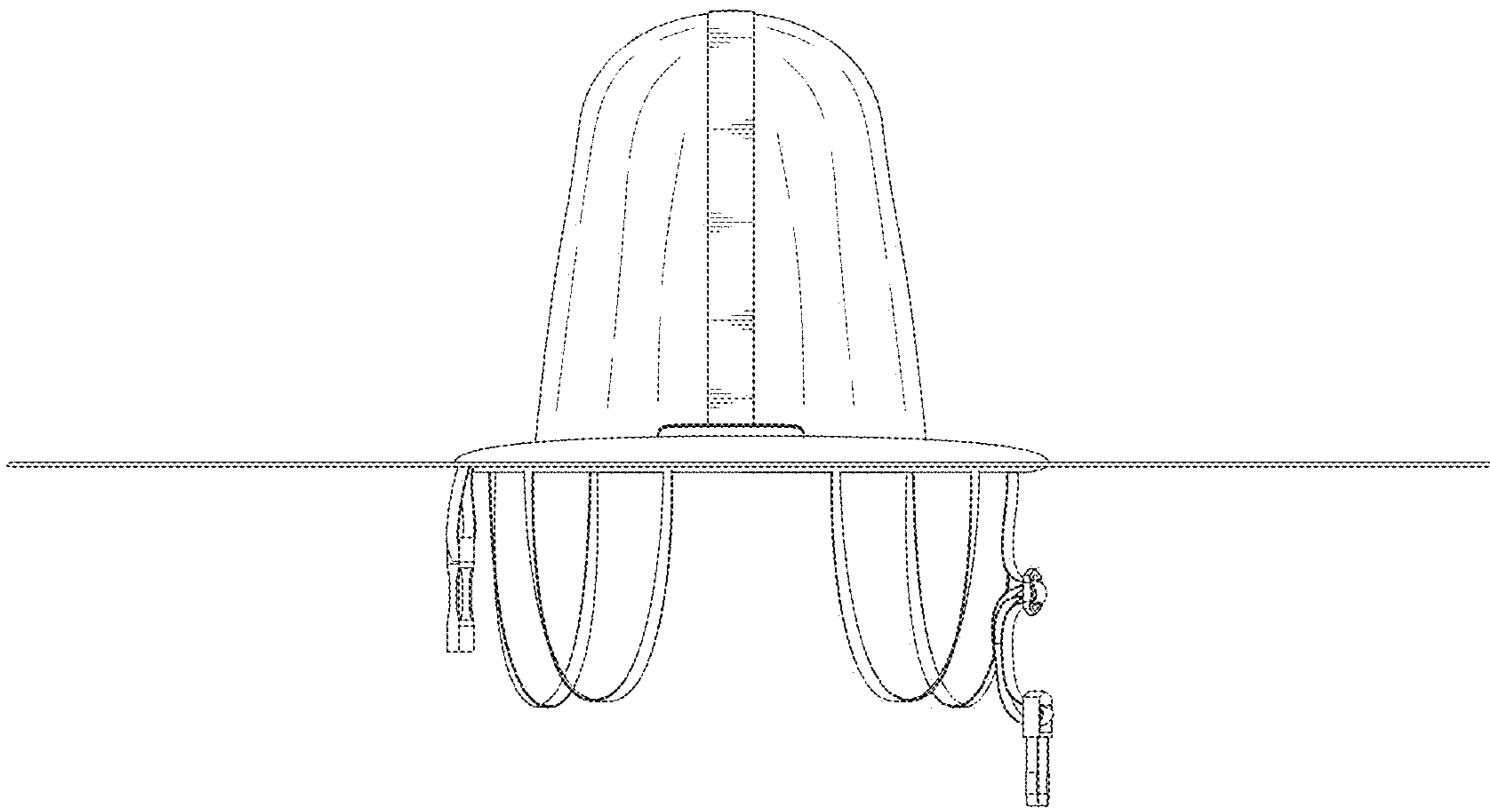


FIG. 3

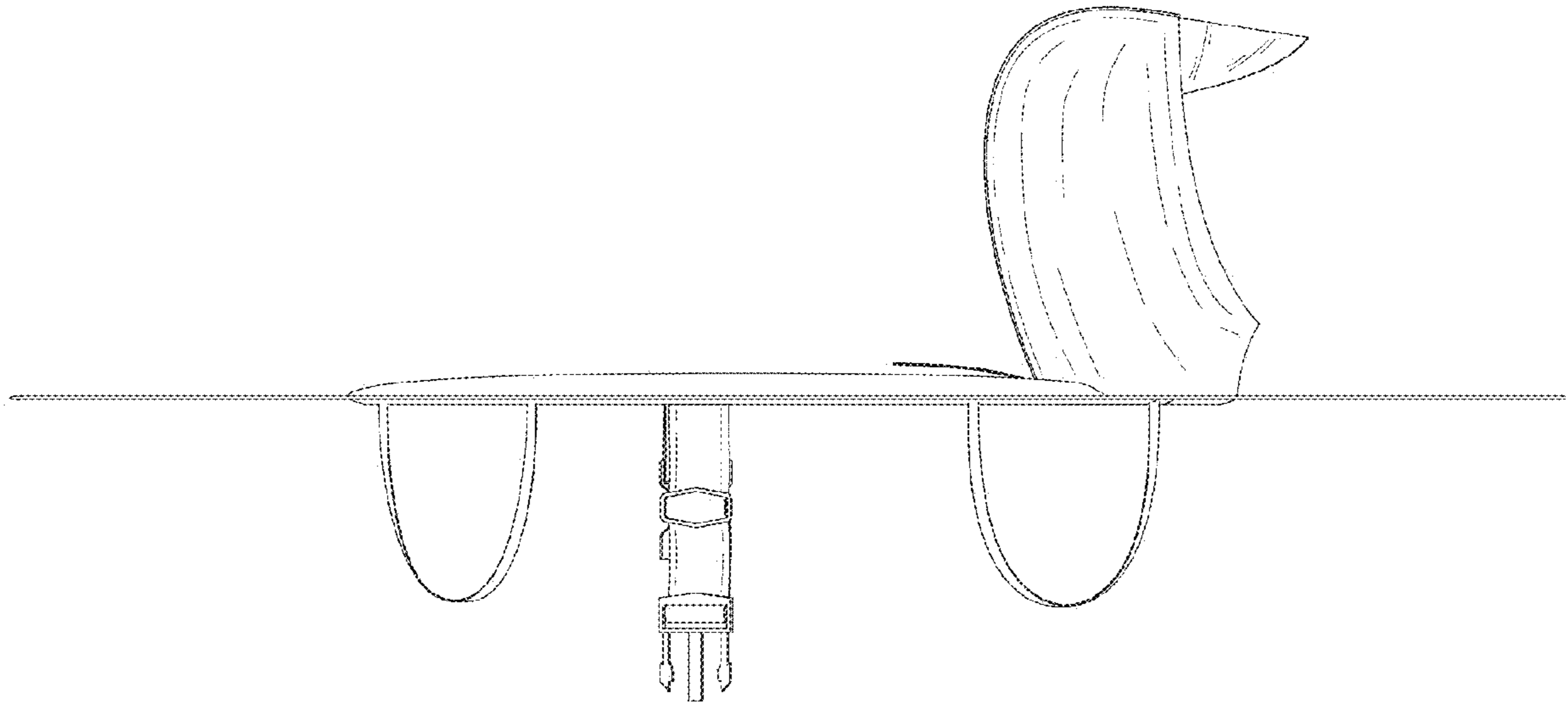


FIG. 4

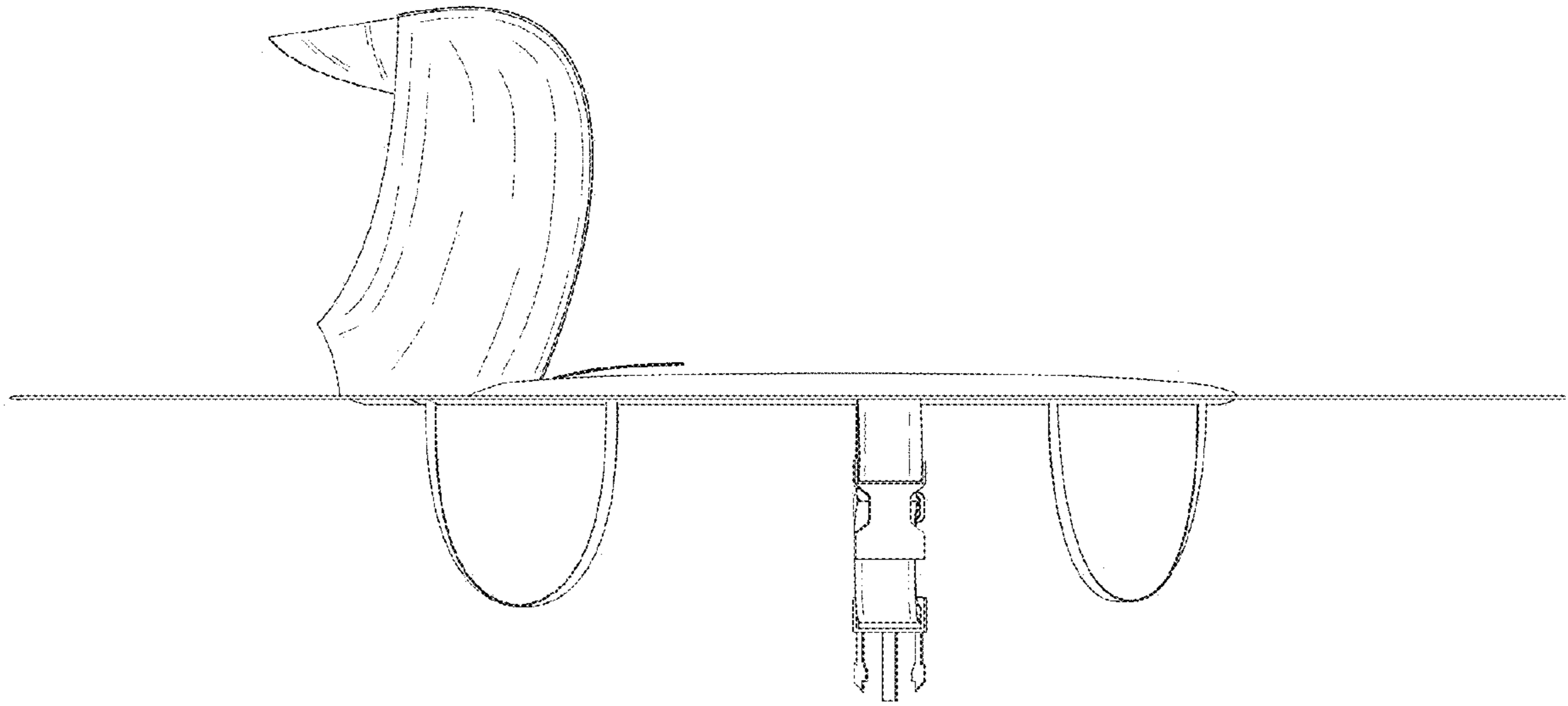


FIG. 5

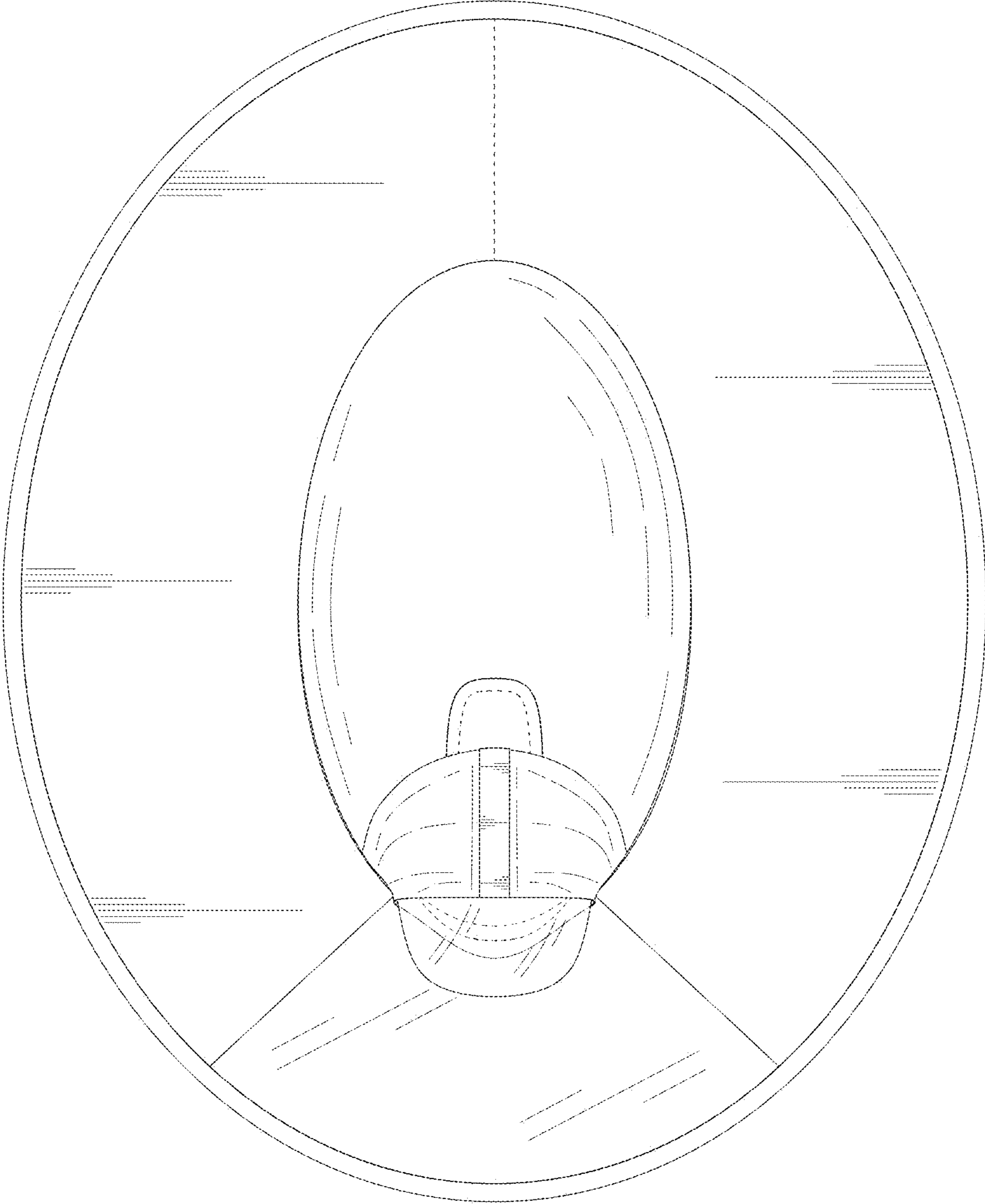


FIG. 6

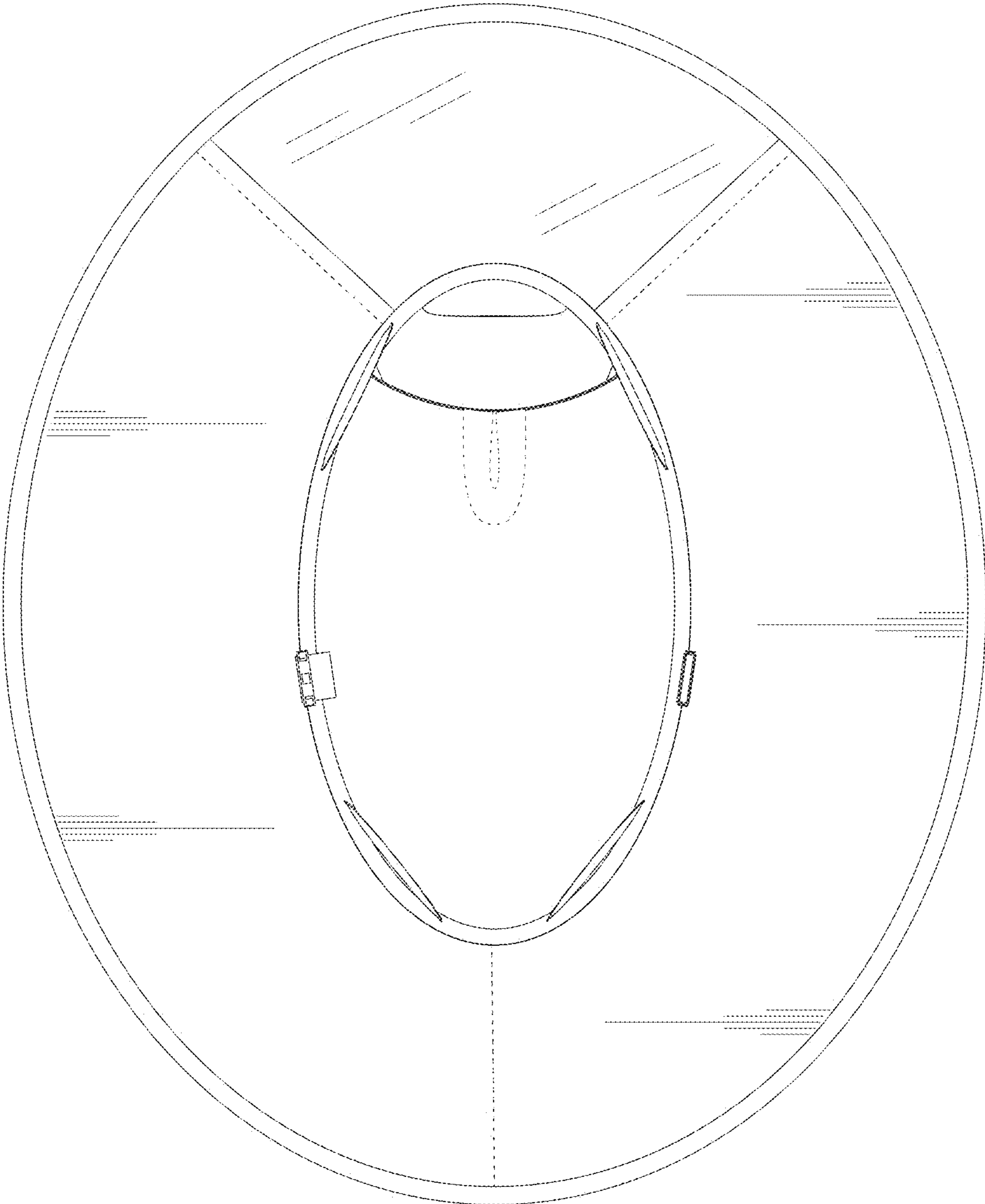


FIG. 7