



US0D1003528S

(12) **United States Design Patent**
Whitesell et al.

(10) **Patent No.:** **US D1,003,528 S**

(45) **Date of Patent:** **** Oct. 31, 2023**

(54) **HELMET**

(71) Applicant: **BELL SPORTS, INC.**, Scotts Valley, CA (US)

(72) Inventors: **Scott S. Whitesell**, Boulder Creek, CA (US); **Kyung Hoon Lee**, Santa Cruz, CA (US)

(73) Assignee: **Bell Sports, Inc.**, Scotts Valley, CA (US)

(**) Term: **15 Years**

(21) Appl. No.: **29/862,812**

(22) Filed: **Dec. 13, 2022**

Related U.S. Application Data

(63) Continuation of application No. 29/739,148, filed on Jun. 23, 2020, now Pat. No. Des. 977,198.

(51) **LOC (14) Cl.** **02-99**

(52) **U.S. Cl.**
USPC **D29/122**

(58) **Field of Classification Search**
USPC D29/102-107, 111, 122
CPC A42B 3/04; A42B 3/0406; A42B 3/0433;
A42B 3/0453; A42B 3/046; A42B
3/0466; A42B 3/0493; A42B 3/06; A42B
3/063; A42B 3/064; A42B 3/18; A42B
3/22

See application file for complete search history.

(56) **References Cited**

U.S. PATENT DOCUMENTS

D498,882 S	11/2004	Yi
D526,092 S	8/2006	Egger
D545,502 S	6/2007	Lee
D626,291 S	10/2010	Lee
D670,445 S	11/2012	Kimura
D684,320 S	6/2013	Codina

D739,609 S	9/2015	Kimura	
D747,556 S *	1/2016	Fujita	D29/107
D776,361 S	1/2017	Occhipinti	
D804,729 S	12/2017	Bouchard-Fortin	
D822,286 S	7/2018	Mage	
D822,287 S	7/2018	Mage	
D829,383 S	9/2018	Occhipinti	
D835,850 S	12/2018	Wako	
D836,252 S	12/2018	Wako	
D838,917 S	1/2019	Murakami	
D856,592 S	8/2019	Rees	
10,602,795 B2	3/2020	Allen	
D905,912 S *	12/2020	Lee	D29/107
D908,971 S *	1/2021	Jeon	D29/105
10,939,721 B2	3/2021	Whitesell	

(Continued)

Primary Examiner — Kimberly Barnes

(74) *Attorney, Agent, or Firm* — Reed Smith LLP; Walter M. Egbert, III; Richard J. Brown

(57) **CLAIM**

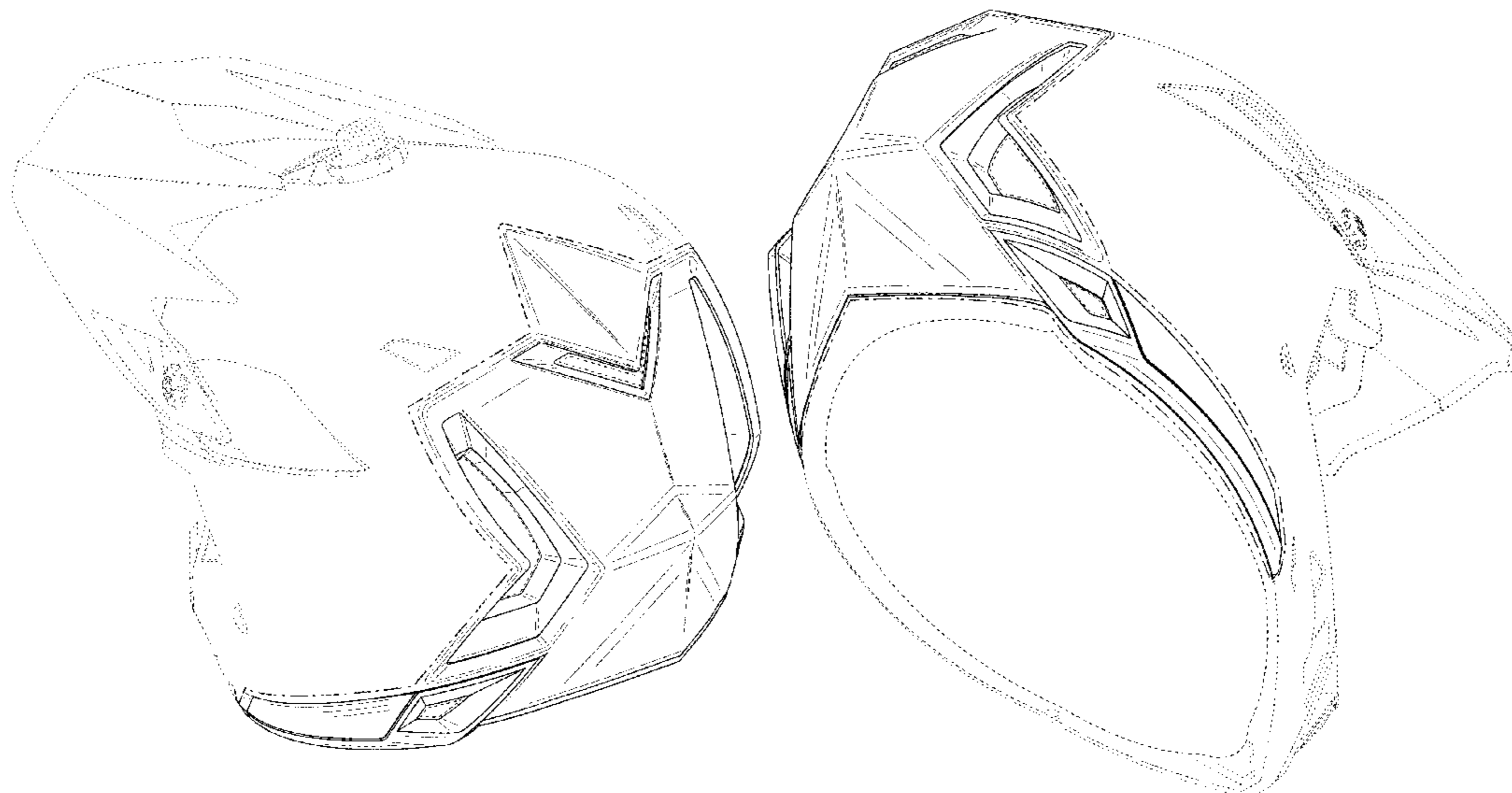
We claim the ornamental design for a helmet, as shown and described.

DESCRIPTION

FIG. 1 is a top front right isometric view of a helmet showing our new design;
FIG. 2 is a top rear right isometric view thereof;
FIG. 3 is a bottom front left isometric view thereof;
FIG. 4 is a bottom rear left isometric view thereof;
FIG. 5 is a front view thereof;
FIG. 6 is a rear view thereof;
FIG. 7 is a left view thereof;
FIG. 8 is a right view thereof;
FIG. 9 is a top view thereof; and,
FIG. 10 is a bottom view thereof.

Evenly broken lines in FIGS. 1-10 are for environmental purposes and form no part of the claimed design. Unevenly broken lines in FIGS. 1-10 indicate the boundary of the claimed design and form no part thereof.

1 Claim, 10 Drawing Sheets



(56)

References Cited

U.S. PATENT DOCUMENTS

D916,379	S	*	4/2021	Jeon	D29/107
D916,380	S	*	4/2021	Lee	D29/107
11,253,021	B2		2/2022	Saijo		
D949,483	S	*	4/2022	Occhipinti	D29/105
D953,647	S	*	5/2022	Tan	D29/105
11,337,482	B2		5/2022	Tan		
D955,648	S	*	6/2022	Vos	D29/106
D959,752	S	*	8/2022	Locatelli	D29/105
D967,543	S	*	10/2022	Whitesell	D29/107
D977,198	S	*	1/2023	Whitesell	D29/105
2018/0206581	A1		7/2018	Whitesell		
2018/0206584	A1	*	7/2018	Allen	A42B 3/128
2022/0095737	A1		3/2022	Allen		

* cited by examiner

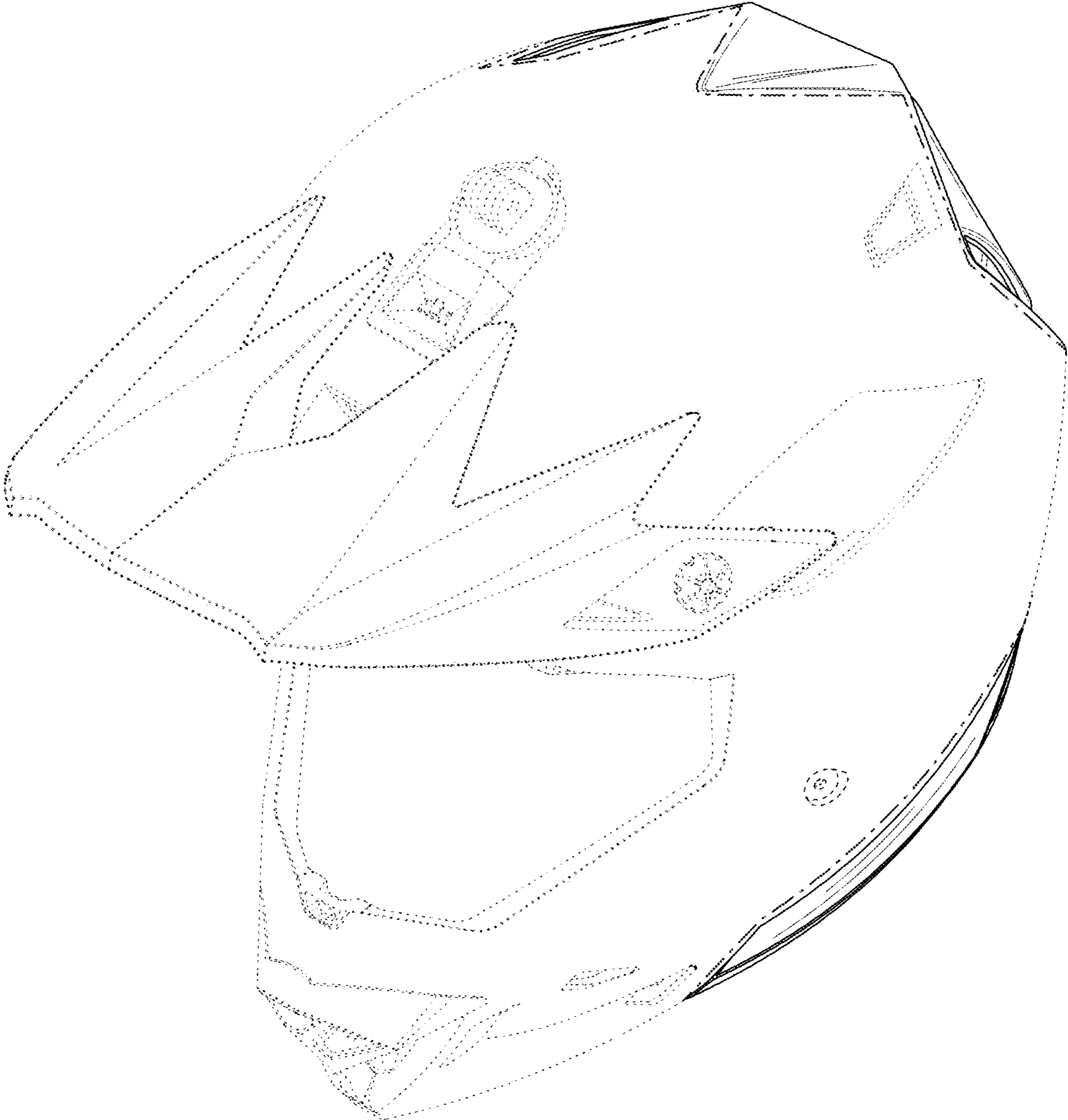


FIG. 1

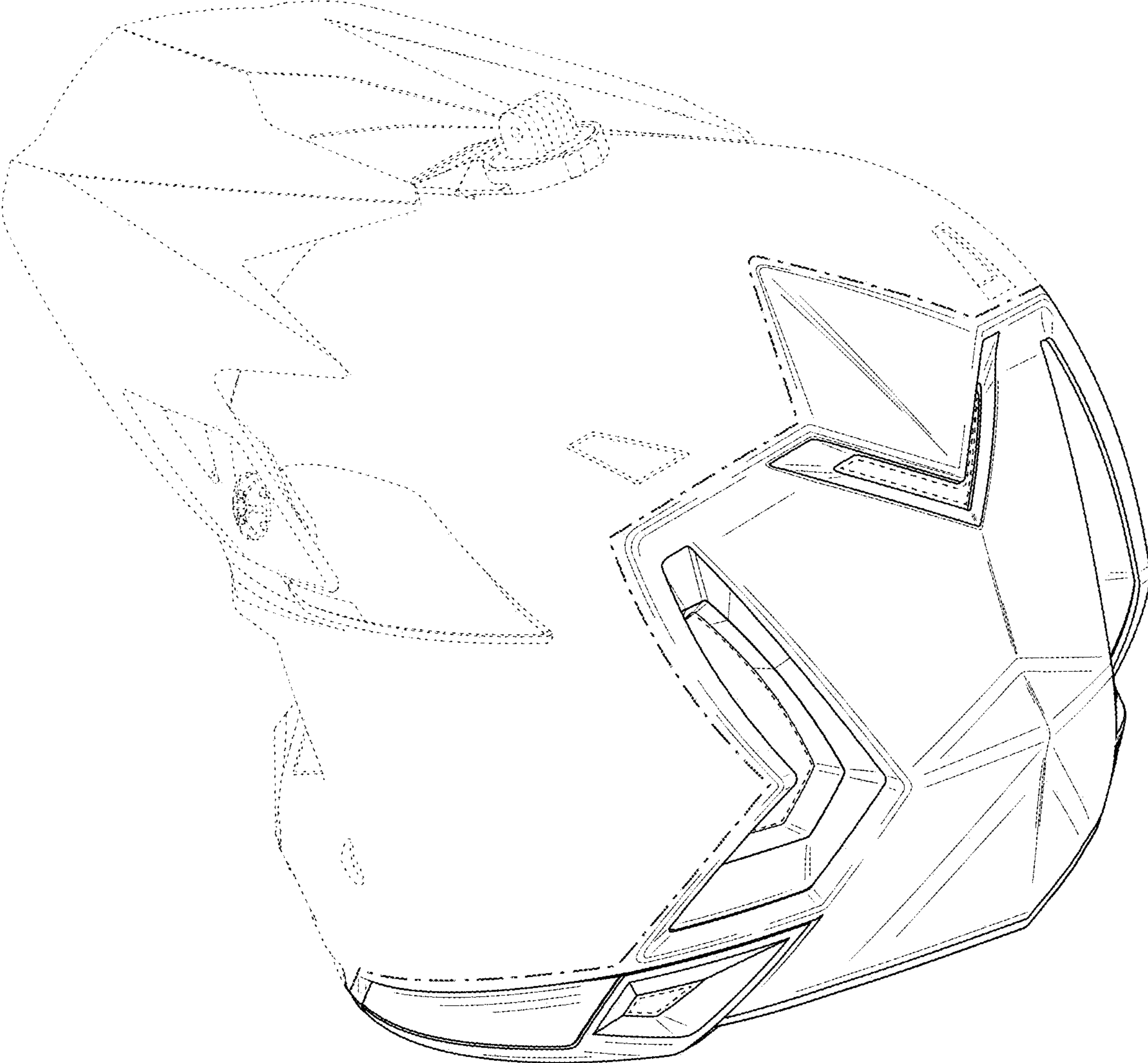


FIG. 2

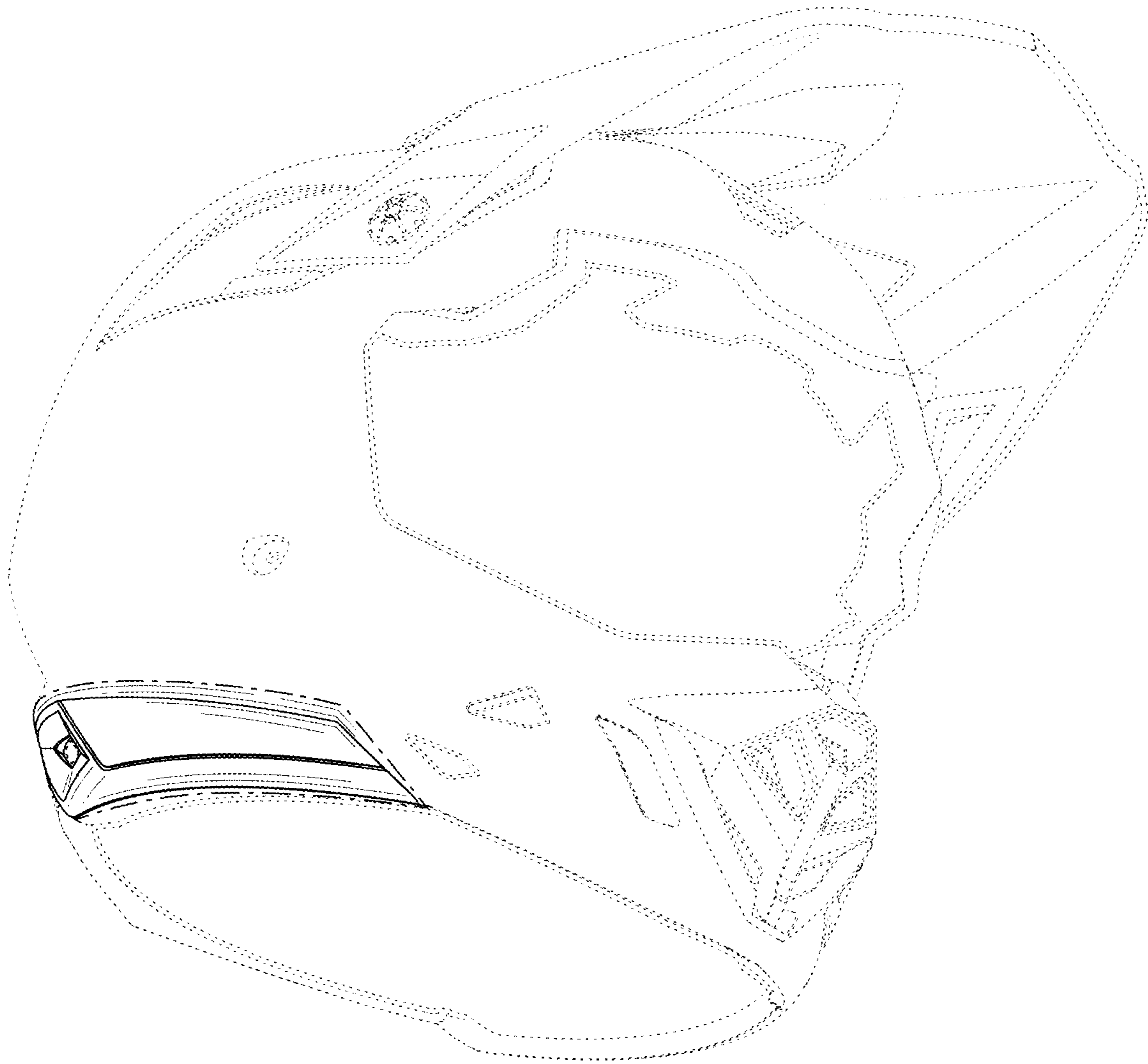


FIG. 3

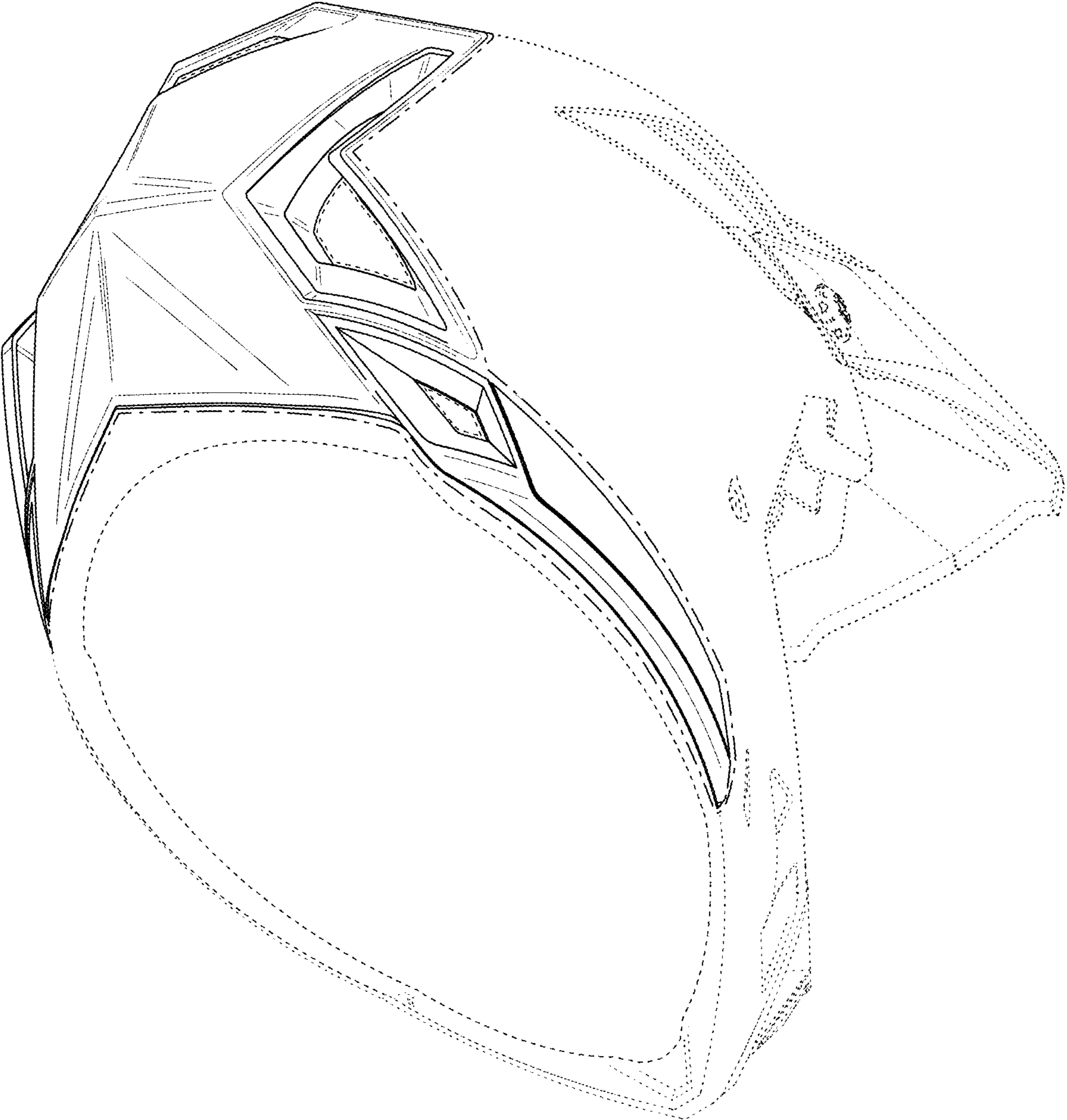


FIG. 4

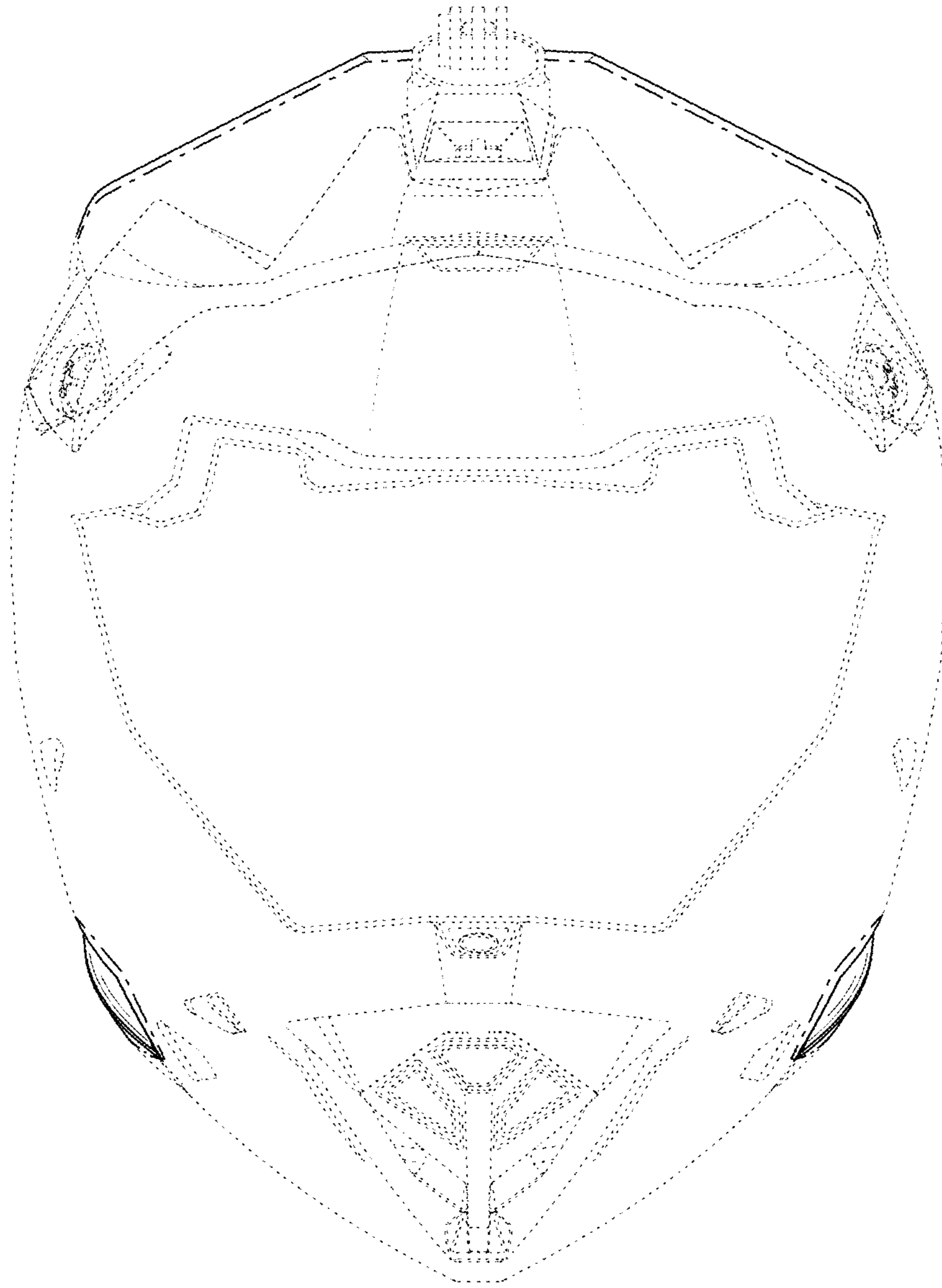


FIG. 5

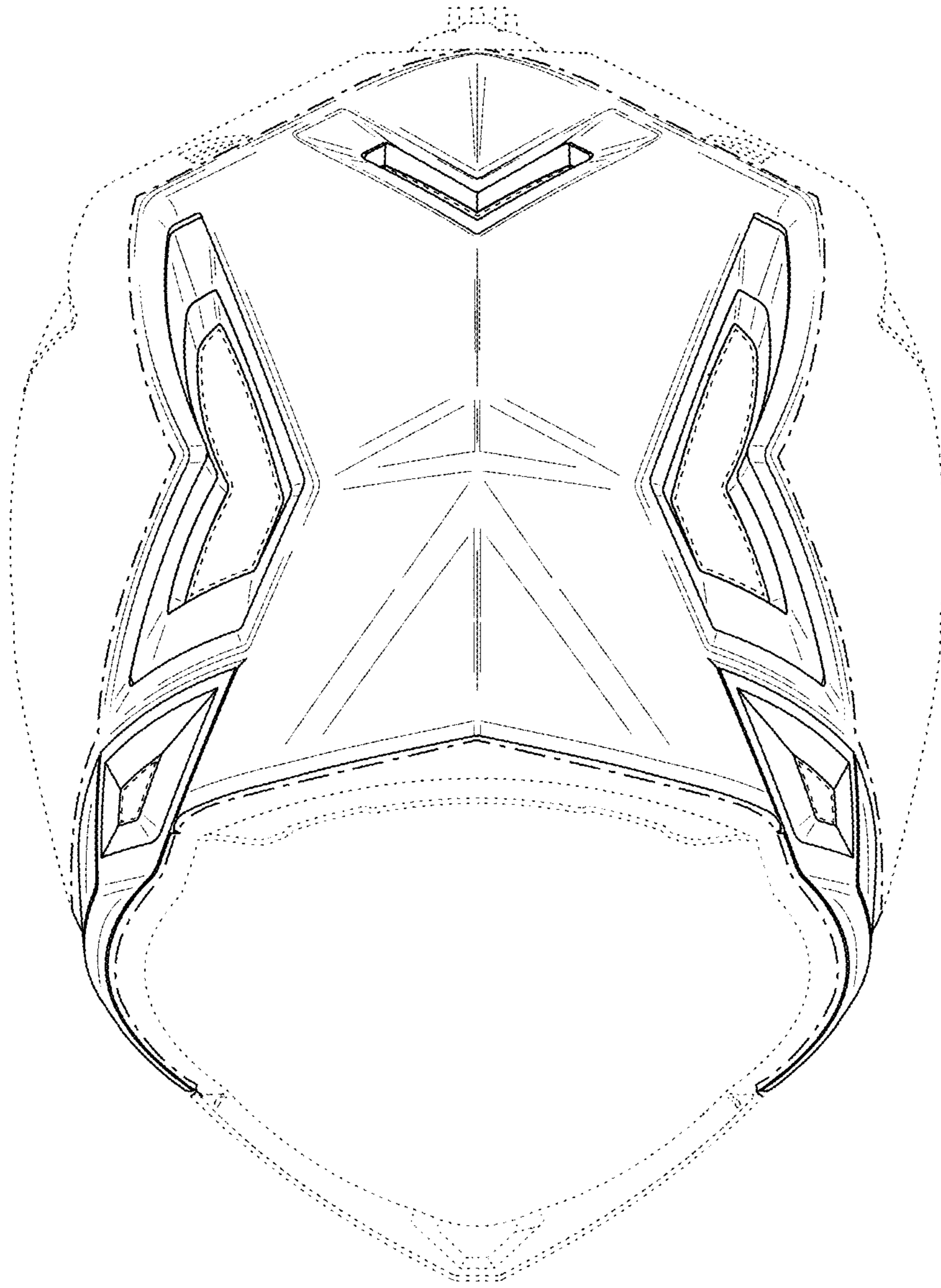


FIG. 6

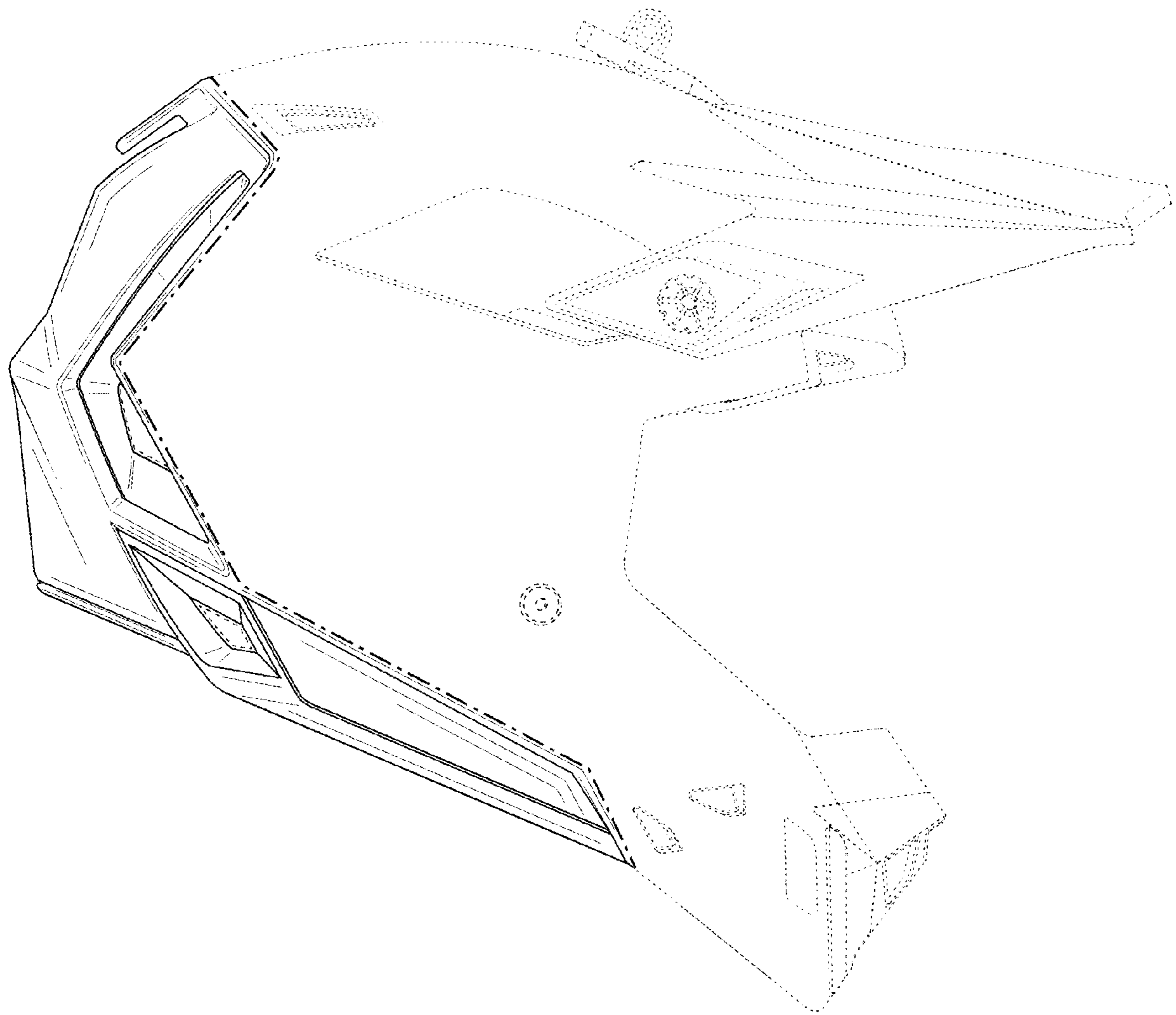


FIG. 7

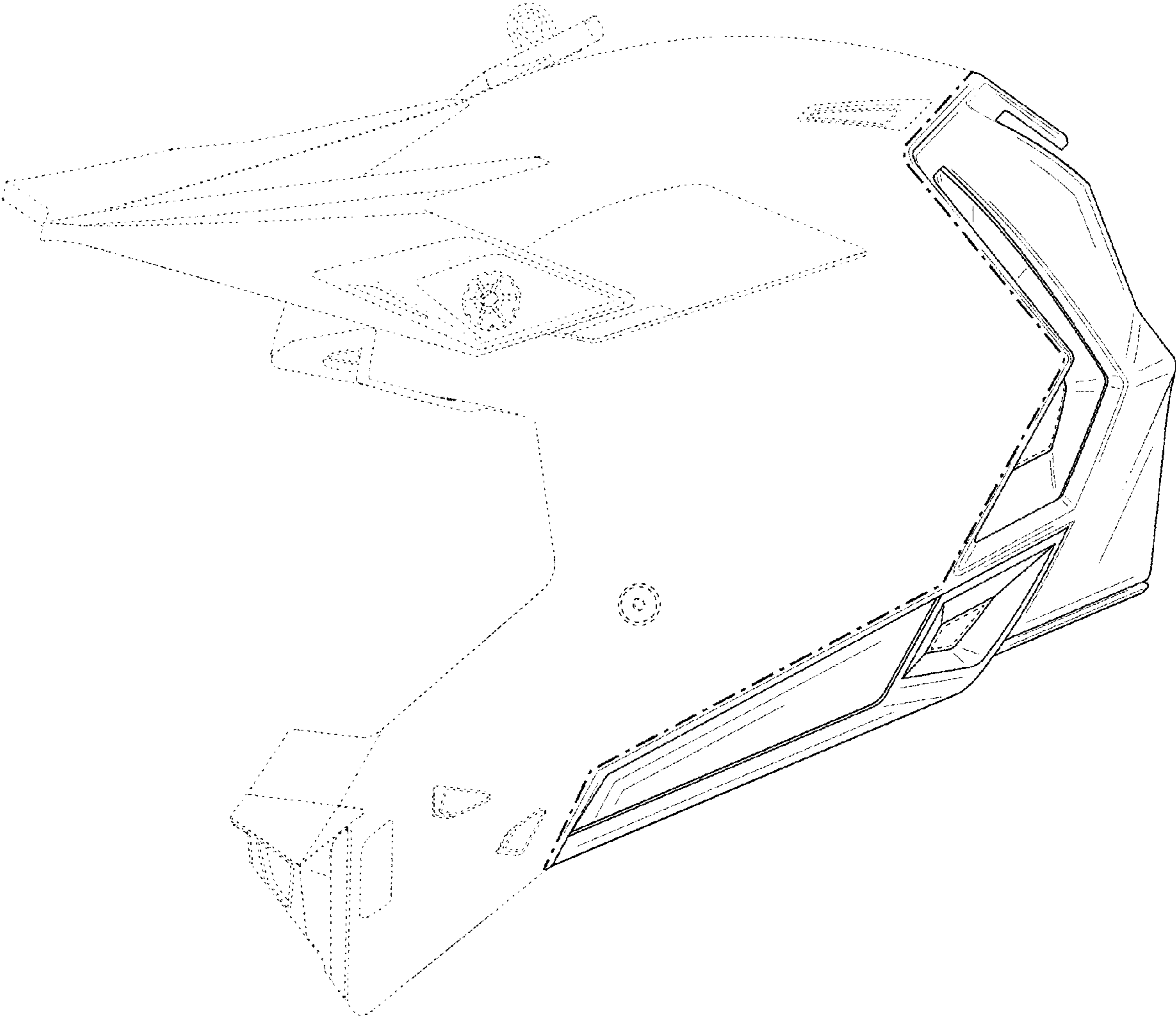


FIG. 8

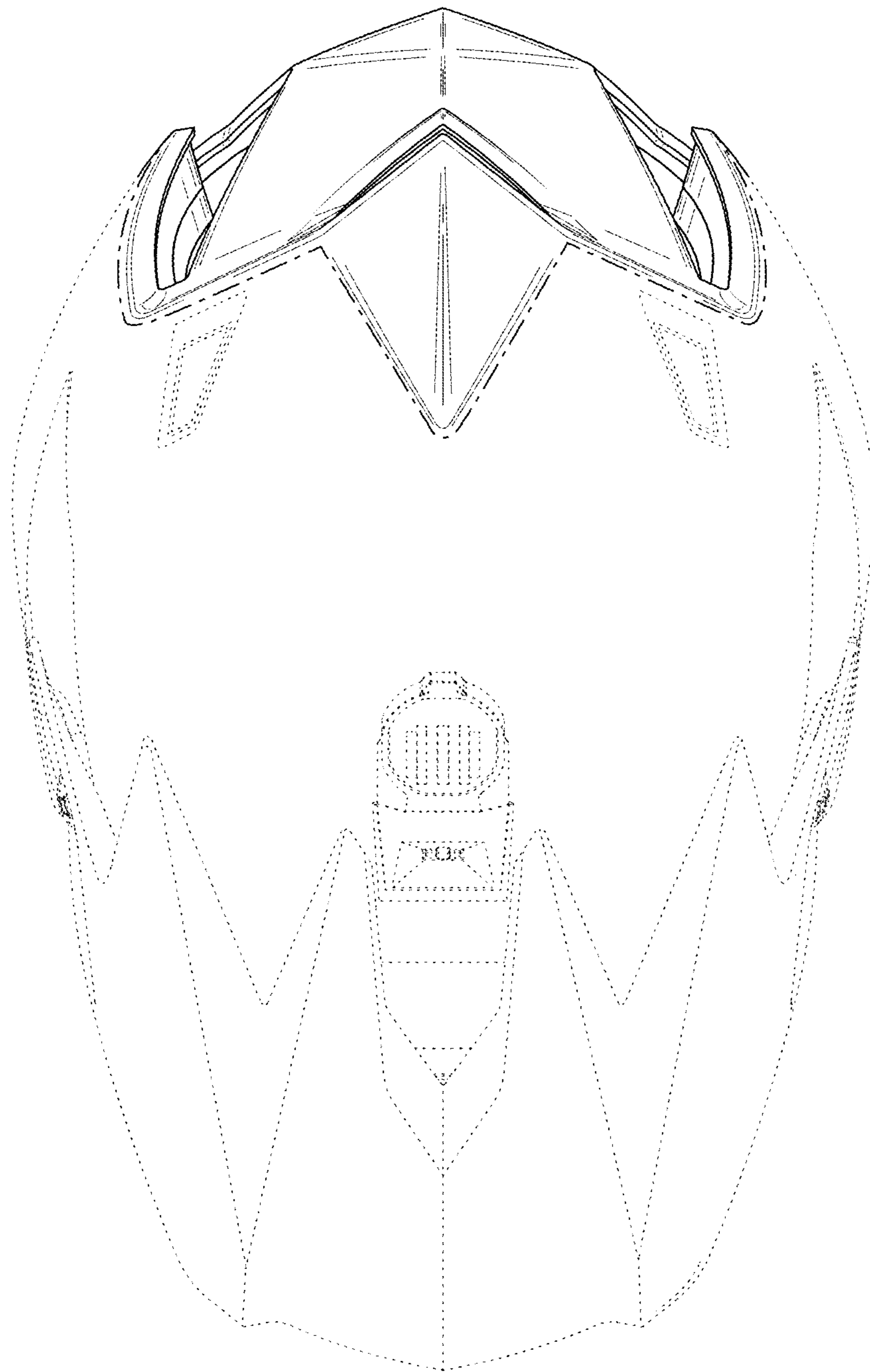


FIG. 9

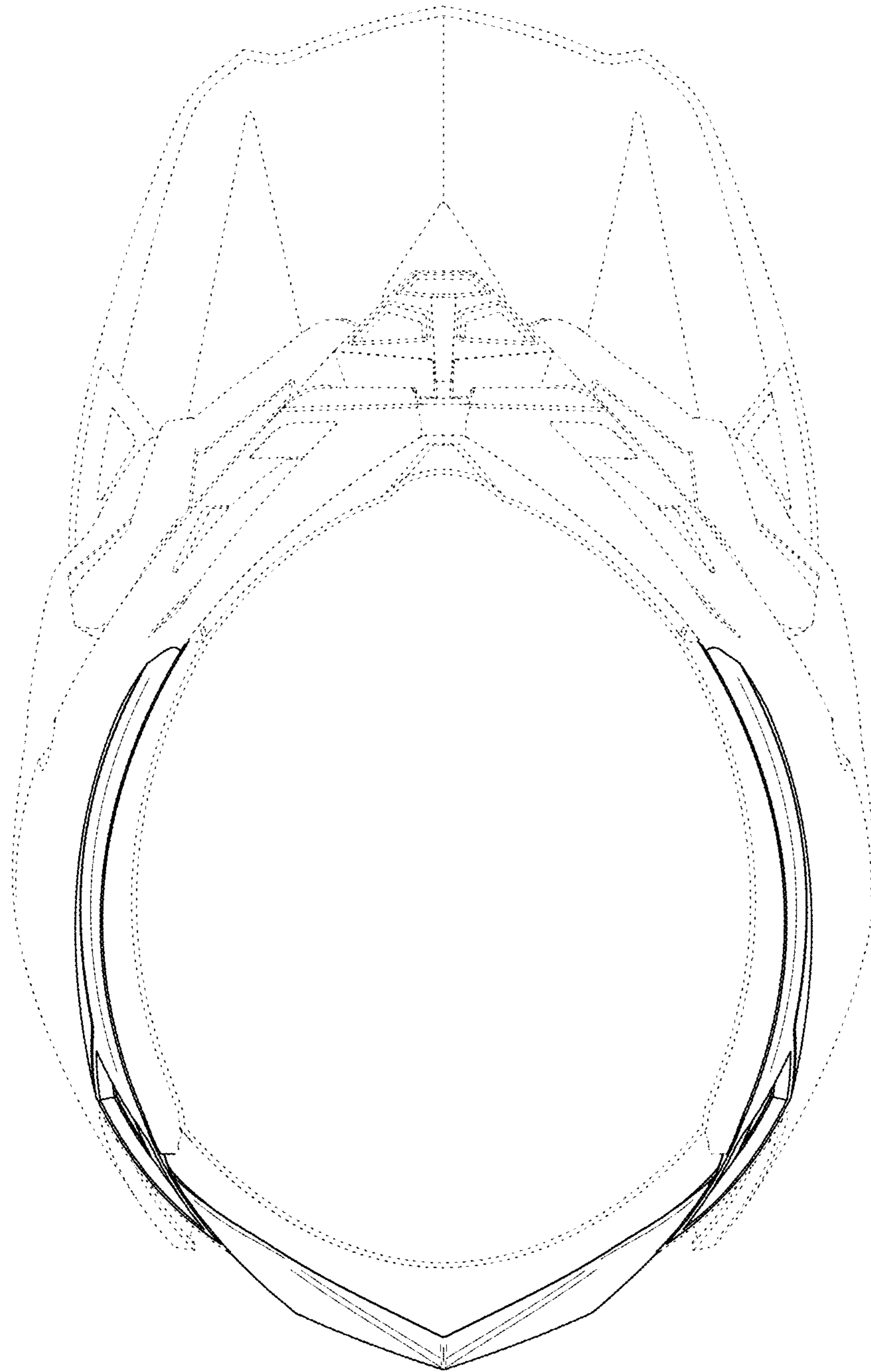


FIG. 10