



US0D1003467S

(12) **United States Design Patent** (10) **Patent No.:** **US D1,003,467 S**
Yao (45) **Date of Patent:** **** Oct. 31, 2023**

(54) **LAMP BULB**

FOREIGN PATENT DOCUMENTS

(71) Applicant: **Zhong Yao**, Shaoxing (CN)

CN 303370350 * 9/2015
CN 303649759 * 4/2016

(72) Inventor: **Zhong Yao**, Shaoxing (CN)

* cited by examiner

(**) Term: **15 Years**

Primary Examiner — Marissa J Cash
Assistant Examiner — William B Melliar

(21) Appl. No.: **29/888,674**

(74) *Attorney, Agent, or Firm* — Jose Cherson Weissbrot

(22) Filed: **Apr. 4, 2023**

(51) **LOC (14) Cl.** **26-04**

(57) **CLAIM**

(52) **U.S. Cl.**
USPC **D26/2**

The ornamental design for a lamp bulb, as shown and described.

(58) **Field of Classification Search**
USPC D26/1-4, 24, 113, 138
CPC F21Y 2115/10; F21Y 2107/00; F21Y 2101/00; F21V 3/02; F21K 9/232
See application file for complete search history.

DESCRIPTION

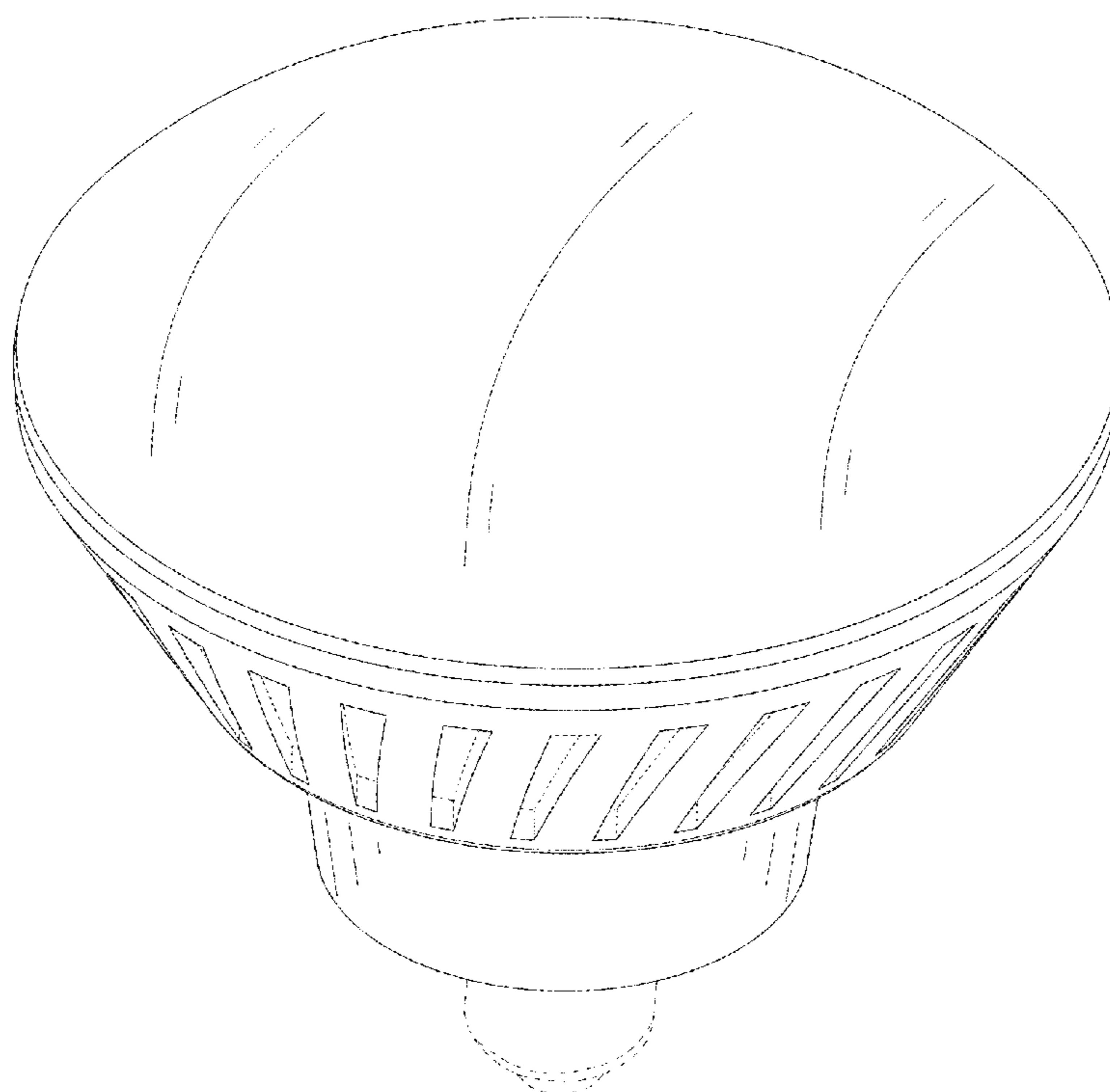
(56) **References Cited**

U.S. PATENT DOCUMENTS

D631,571 S *	1/2011	Bobel	D26/2
D646,412 S	10/2011	Taiga		
D646,802 S *	10/2011	Guohui	D26/2
D662,232 S *	6/2012	Xia	D26/2
D663,053 S *	7/2012	Xia	D26/2
D663,447 S *	7/2012	Lee	D26/2
D671,232 S *	11/2012	Yoshinobu	D26/2
D675,756 S *	2/2013	Wada	D26/2
D698,048 S *	1/2014	Jiang	D26/2
D700,720 S *	3/2014	Su	D26/2
D850,668 S *	6/2019	Okumura	D26/2
D897,007 S	9/2020	Hu		
D939,108 S	12/2021	Zhuo		
D948,085 S *	4/2022	Lu	D26/2

FIG. 1 is a first perspective view of a lamp bulb showing my new design;
FIG. 2 is a second perspective view thereof;
FIG. 3 is a front view thereof;
FIG. 4 is a back view thereof;
FIG. 5 is a left side view thereof;
FIG. 6 is a right side view thereof;
FIG. 7 is a top view thereof;
FIG. 8 is a bottom view thereof; and,
FIG. 9 is an enlarged view of the selected portion 9 in FIG. 2.
The broken lines shown in the drawings depict portion of the lamp bulb that form no part of the claimed design. The dot-dash lines shown surrounding the detail views in FIGS. 2 and 9 are for annotative purposes only and form no part thereof.

1 Claim, 9 Drawing Sheets



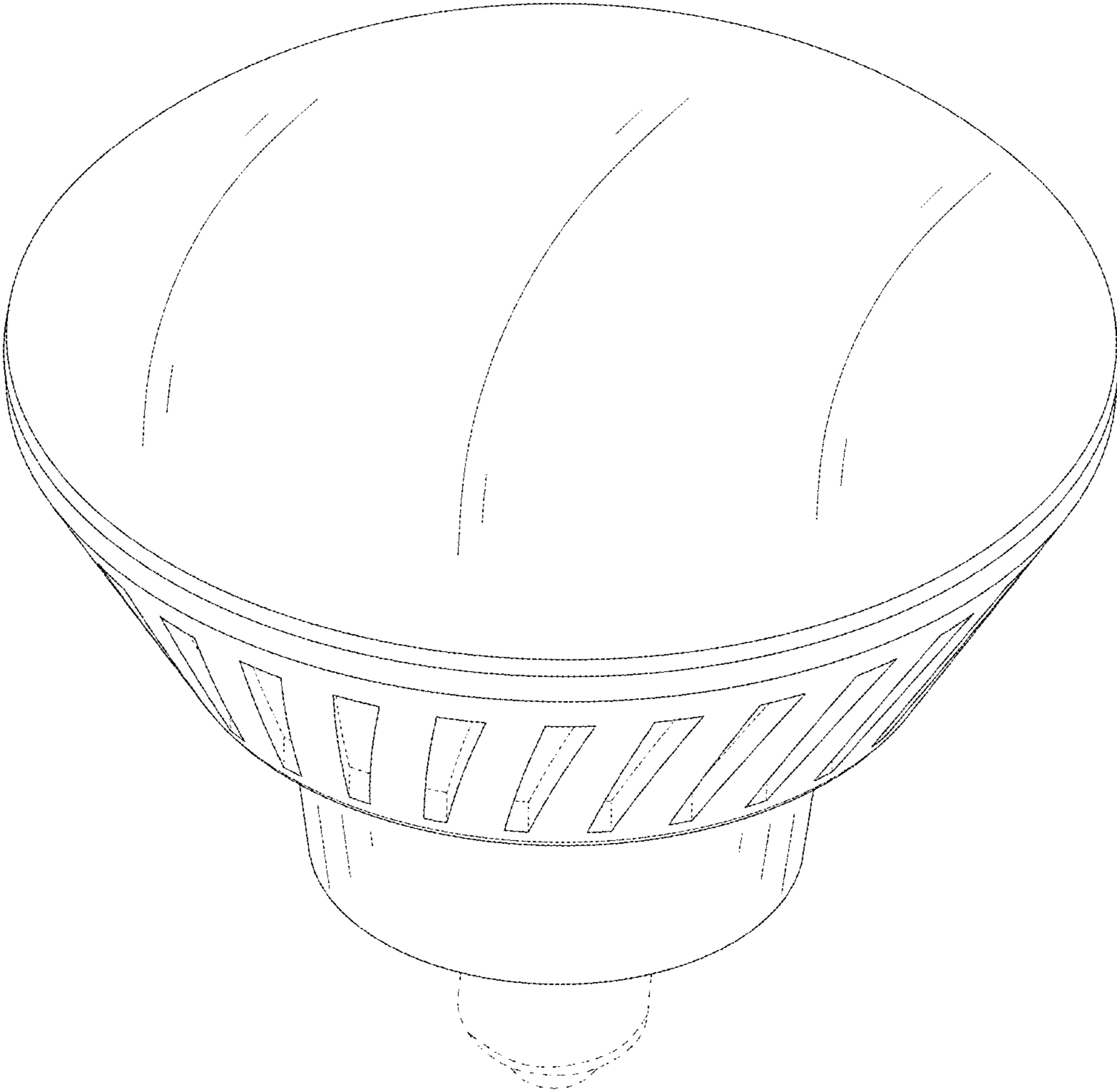


FIG. 1

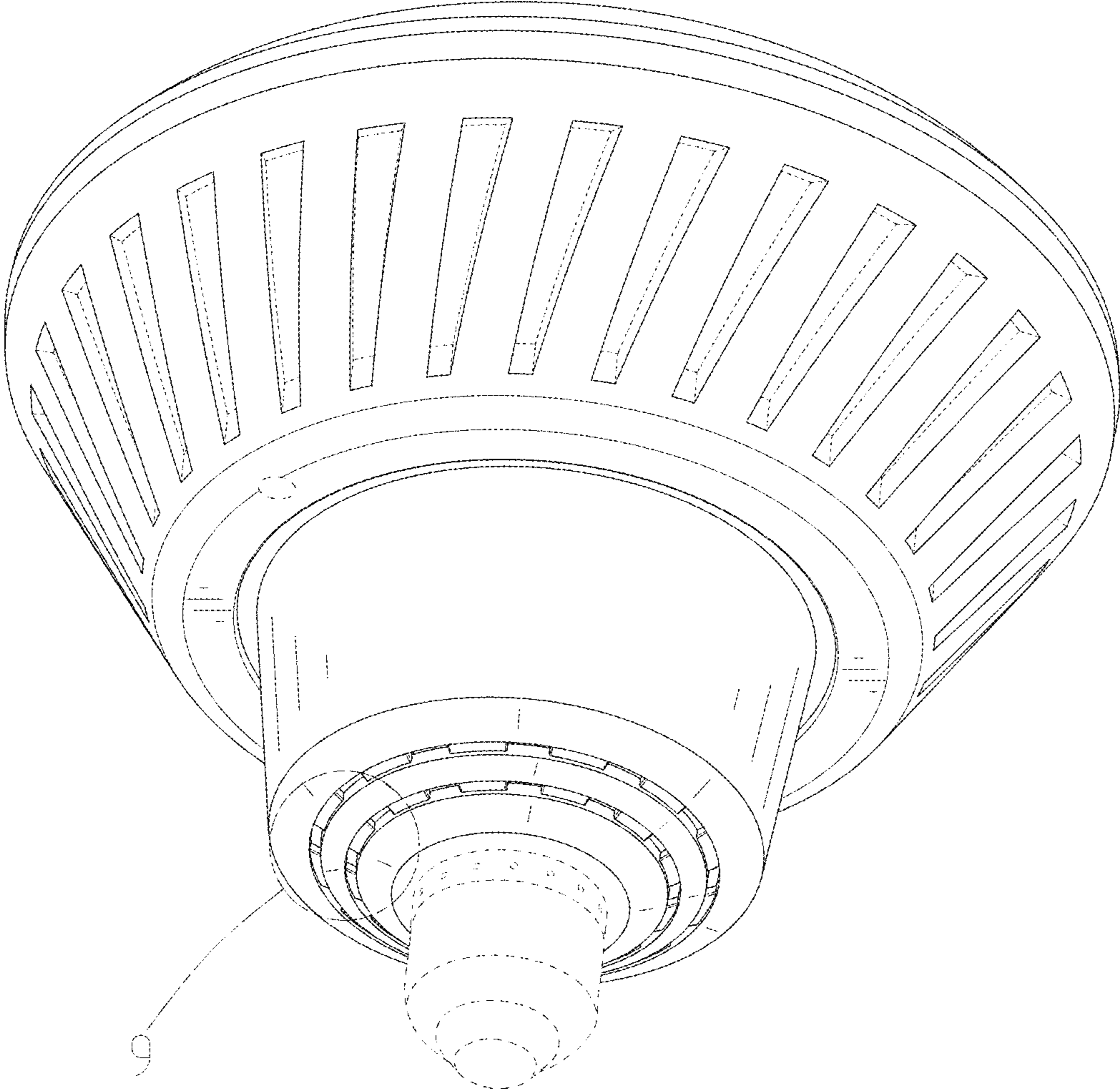


FIG. 2

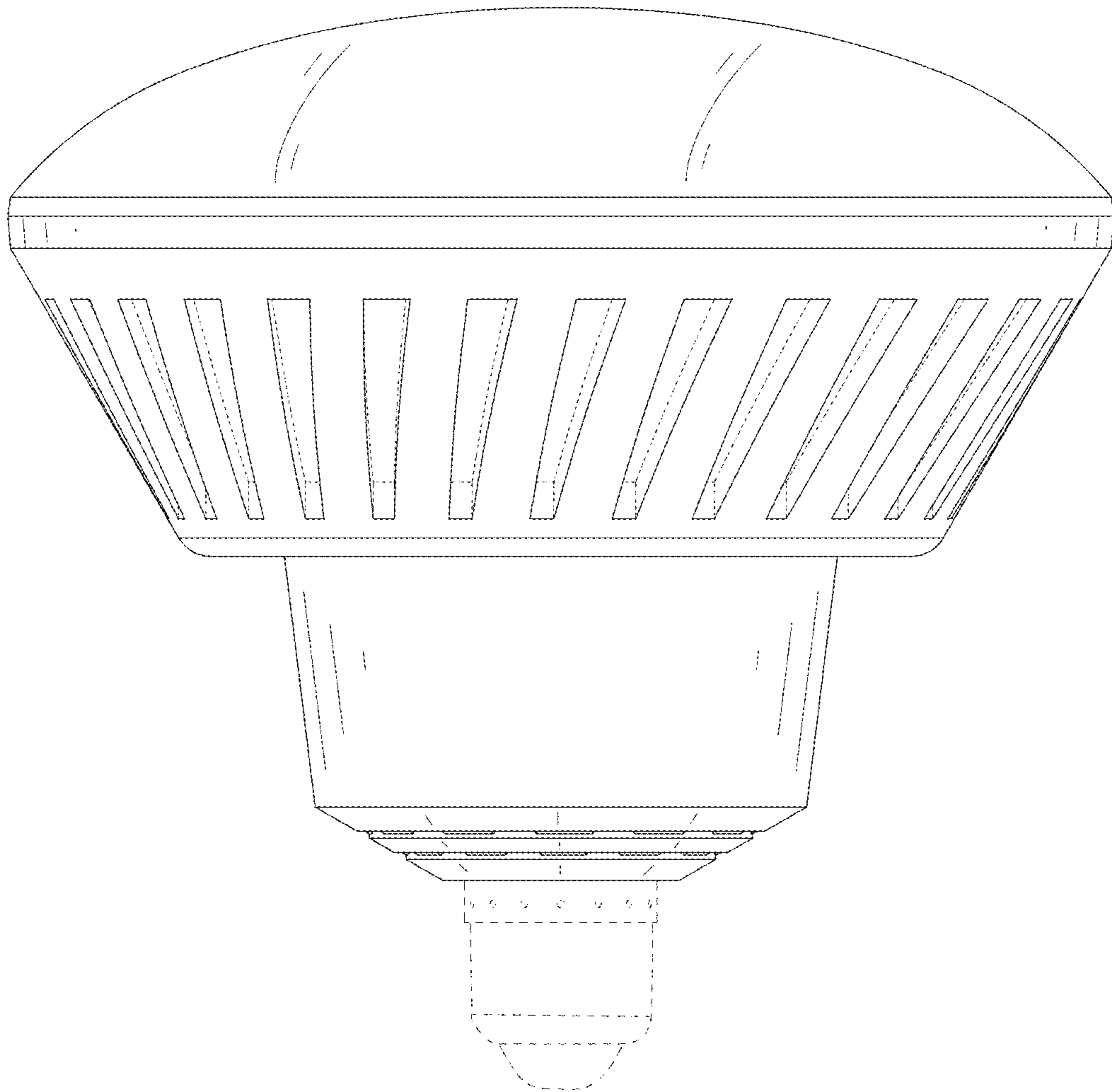


FIG. 3

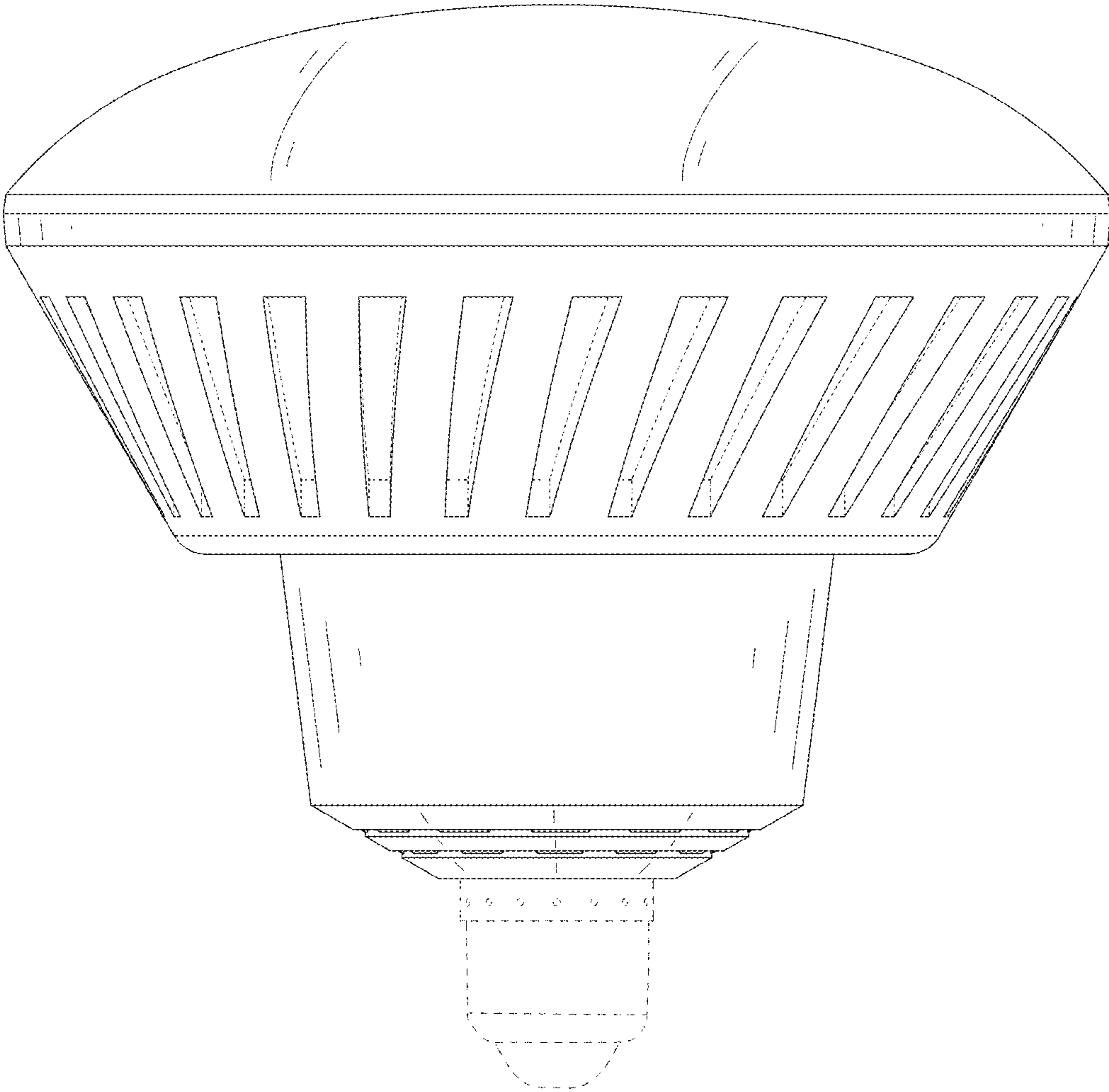


FIG. 4

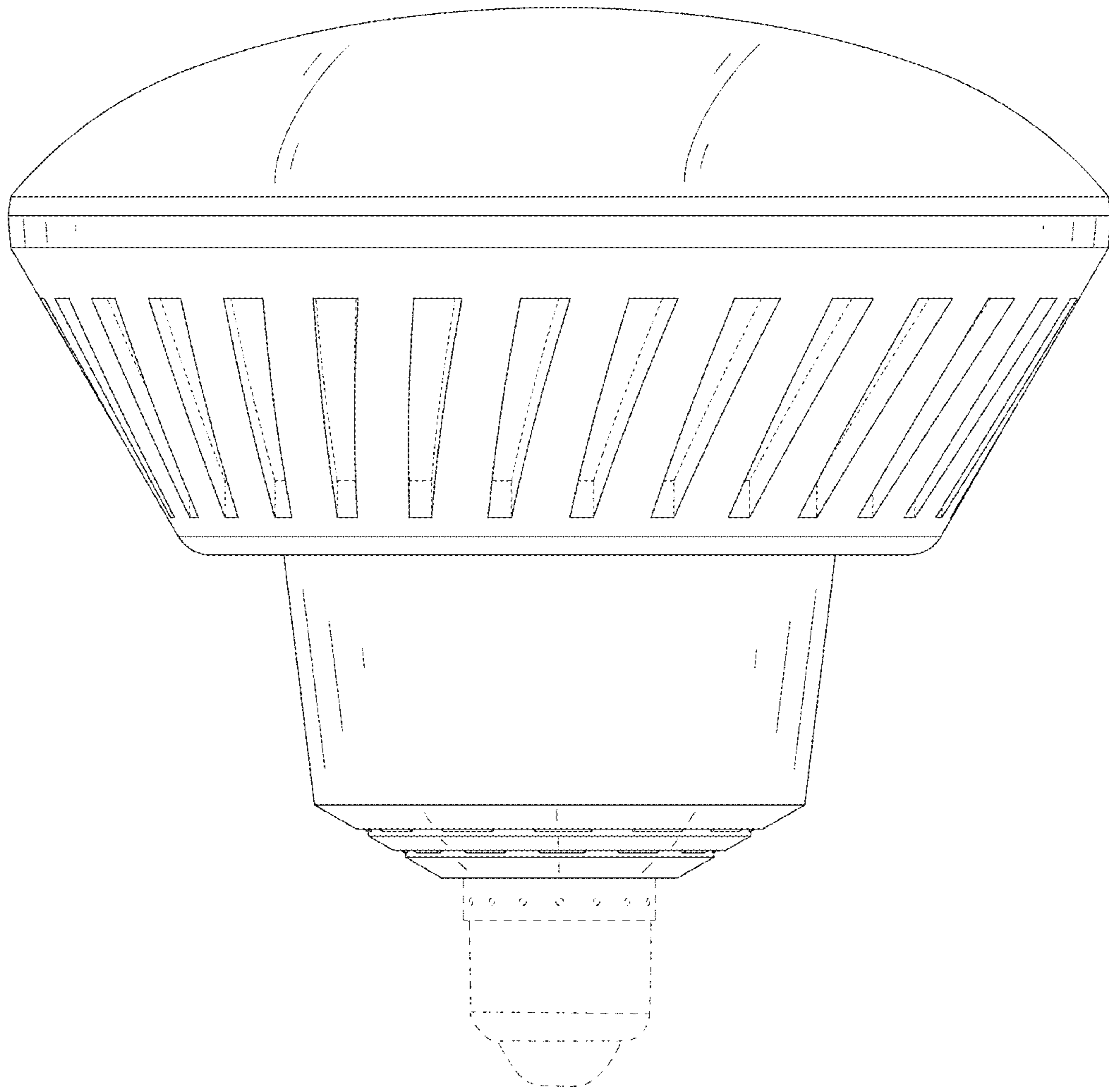


FIG. 5

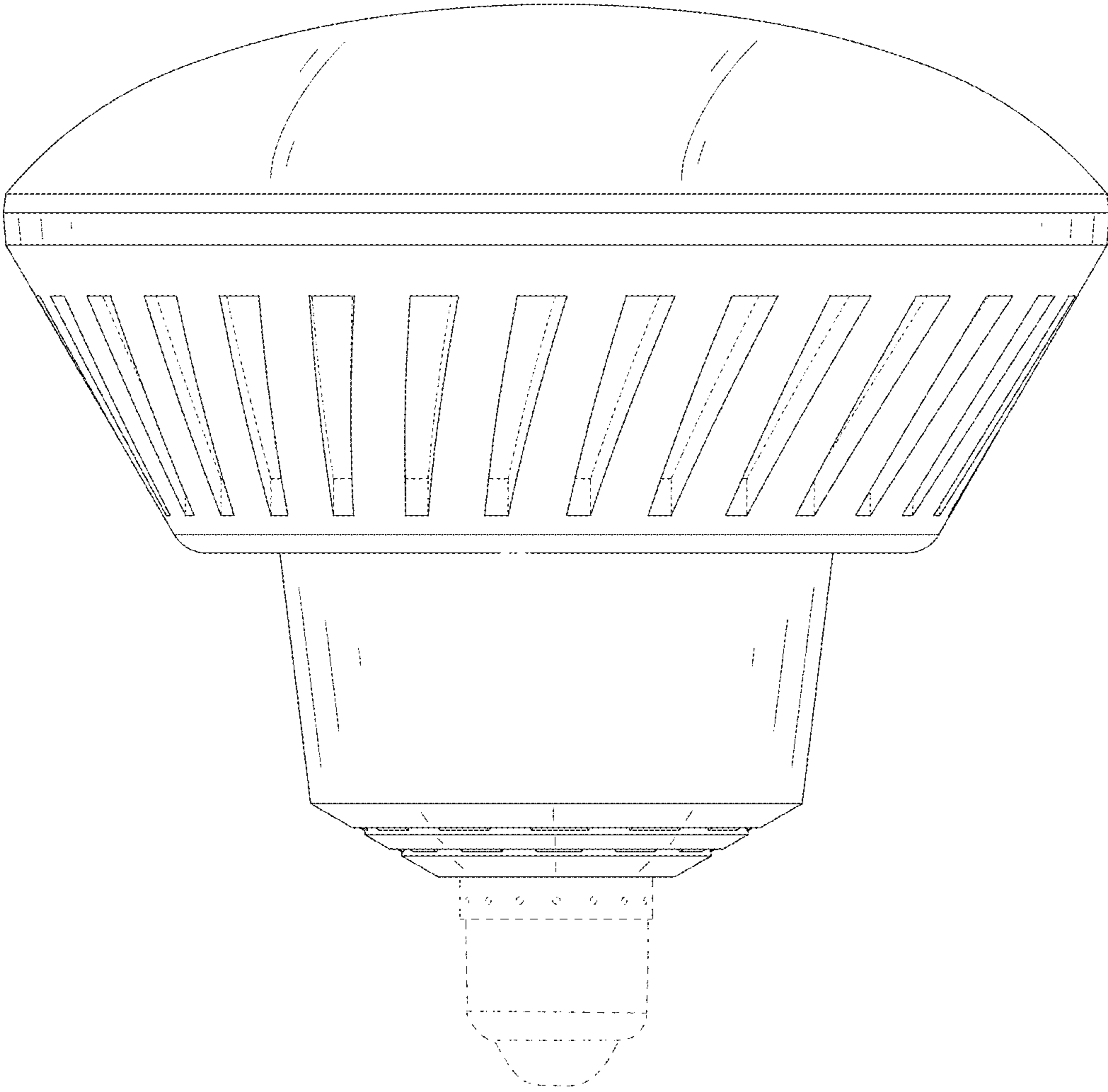


FIG. 6

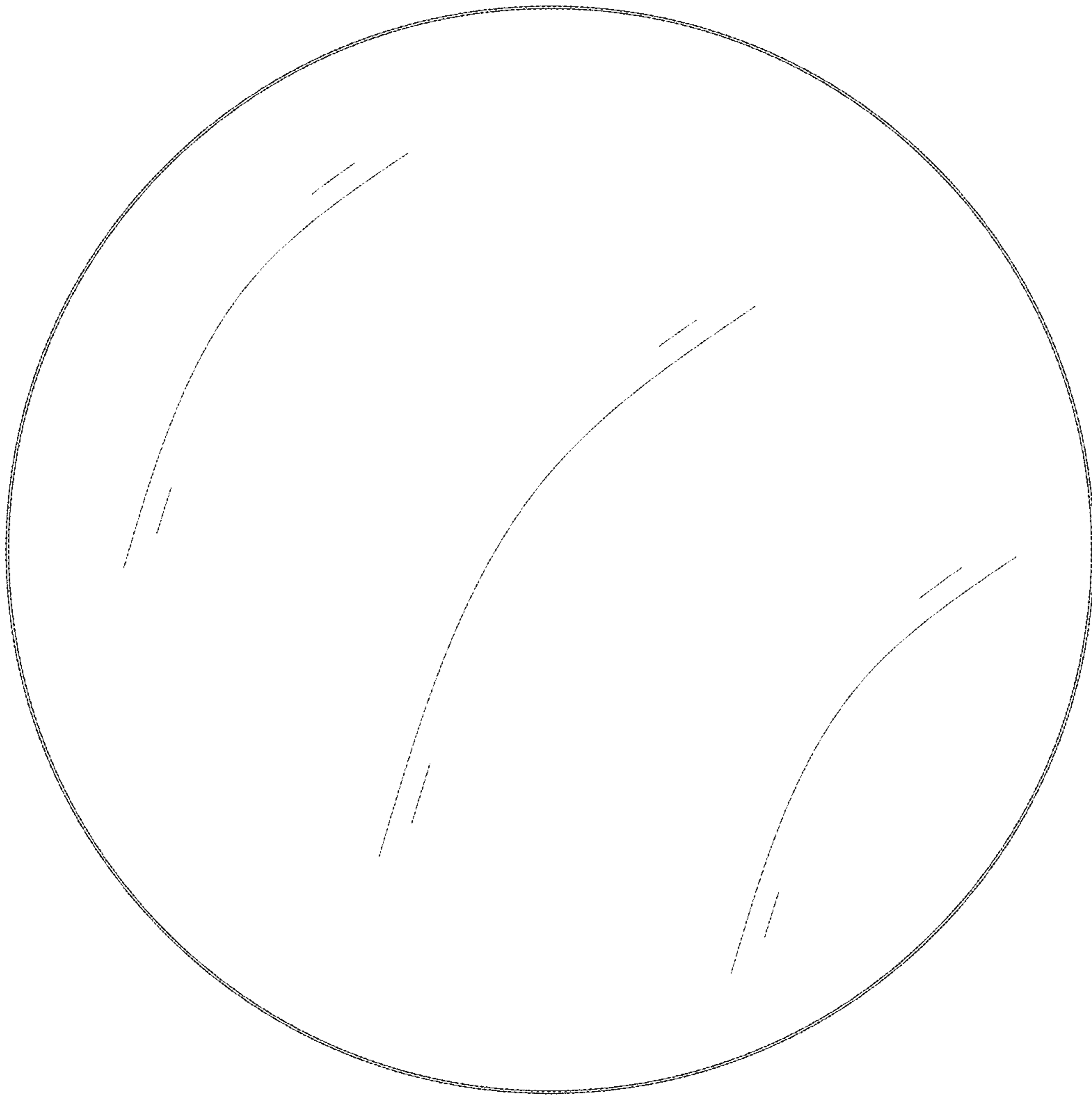


FIG. 7

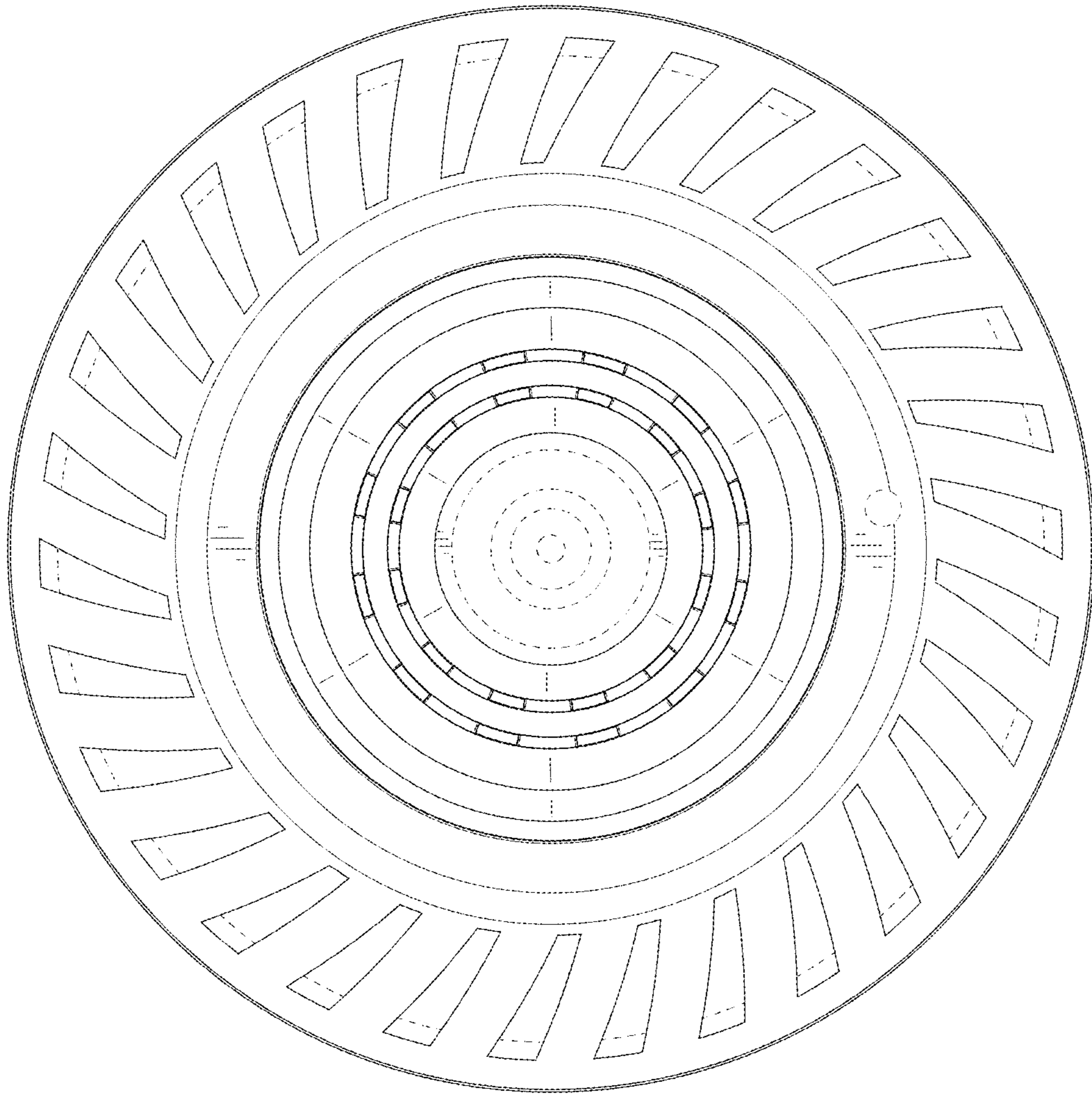


FIG. 8

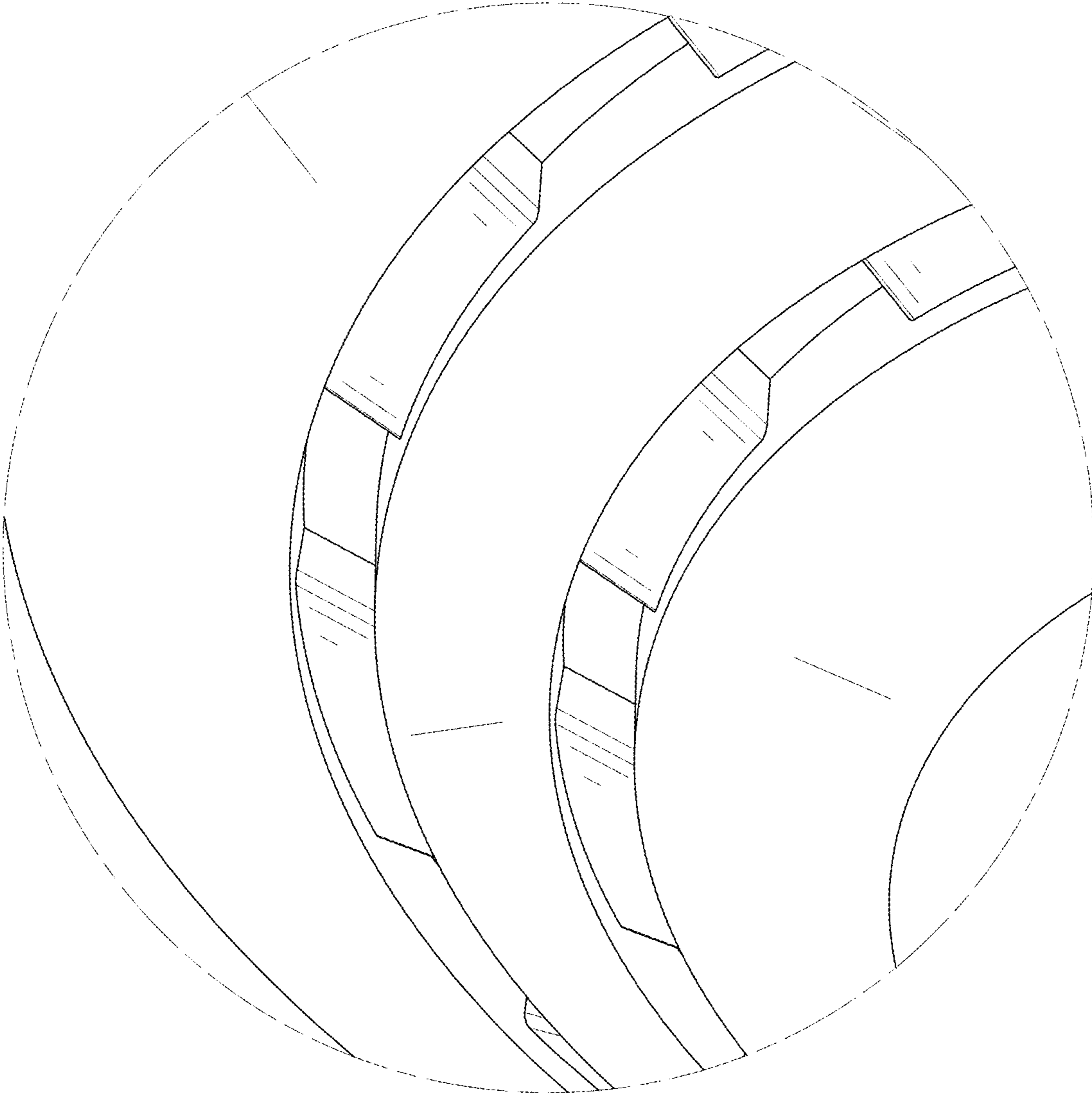


FIG. 9