



US0D1003455S

(12) **United States Design Patent**  
**Zhu**

(10) **Patent No.: US D1,003,455 S**

(45) **Date of Patent: \*\* Oct. 31, 2023**

(54) **OFFICE MEETING BOOTH**

(71) Applicant: **3DS ENGINEERING  
PROCUREMENT CONSTRUCTION  
SUZHOU CO., LTD.**, Suzhou (CN)

(72) Inventor: **Weiwei Zhu**, Kunshan (CN)

(73) Assignee: **3DS ENGINEERING  
PROCUREMENT CONSTRUCTION  
SUZHOU CO., LTD.**, Suzhou (CN)

(\*\*) Term: **15 Years**

(21) Appl. No.: **29/701,385**

(22) Filed: **Aug. 12, 2019**

(30) **Foreign Application Priority Data**

Feb. 14, 2019 (CN) ..... 201930064074.5

(51) **LOC (14) Cl.** ..... **25-03**

(52) **U.S. Cl.**  
USPC ..... **D25/33; D25/16**

(58) **Field of Classification Search**  
USPC ..... D25/16, 1, 3, 4, 13, 18, 19, 31-3;  
D6/640-644, 337; D21/834-838  
CPC ..... E04H 1/00-12; E04H 1/1205-1277; E04H  
1/14; E04B 2002/7483  
See application file for complete search history.

(56) **References Cited**

**U.S. PATENT DOCUMENTS**

D245,430	S	*	8/1977	Commins	.....	D25/1
D255,837	S	*	7/1980	Leasure et al.	.....	D25/33
D258,765	S	*	3/1981	Kinnebrew, IV	.....	D25/1
D596,313	S	*	7/2009	Perrine	.....	D25/1
D768,874	S	*	10/2016	Walter	.....	D25/16
D809,808	S	*	2/2018	Sarkkinen	.....	D6/337
D822,849	S	*	7/2018	Levy	.....	D25/33
D844,810	S	*	4/2019	Hällfors et al.	.....	D25/16

D844,812	S	*	4/2019	Zhu	.....	D25/16
D844,826	S	*	4/2019	Kwong	.....	D25/18
D862,733	S	*	10/2019	Kwong	.....	D25/18
D872,302	S	*	1/2020	Tibi et al.	.....	D25/16
D895,148	S	*	9/2020	Wallinmaa et al.	.....	D25/16
D921,926	S	*	6/2021	Ko	.....	D25/16
D954,298	S	*	6/2022	Carr et al.	.....	D25/16
D968,649	S	*	11/2022	Woods et al.	.....	D25/16
D968,650	S	*	11/2022	Liu et al.	.....	D25/16
D973,227	S	*	12/2022	Lehtinen et al.	.....	D25/16
2017/0337783	A1*		11/2017	Konecny et al.	.....	E04H 1/12

**OTHER PUBLICATIONS**

Casala, Container Pod, 2015, Architonic, <https://www.architonic.com/en/product/casala-container-pod/20043585> (Year: 2015).\*

INTO the Nordic Silence, POD 4, 2015, Architonic, <https://www.architonic.com/en/product/into-the-nordic-silence-pod-4/1437941> (Year: 2015).\*

Taiga Concept, Lohko Flex 12 Oak, 2020, Architonic, <https://www.architonic.com/en/product/taiga-concept-lohko-flex-12-oak/20176371> (Year: 2020).\*

\* cited by examiner

*Primary Examiner* — Brett A Miller

(74) *Attorney, Agent, or Firm* — SZDC Law PC

(57) **CLAIM**

The ornamental design for an office meeting booth as shown and described.

**DESCRIPTION**

FIG. 1 is a front perspective view of the office meeting booth;

FIG. 2 is a back perspective view thereof;

FIG. 3 is a front view thereof;

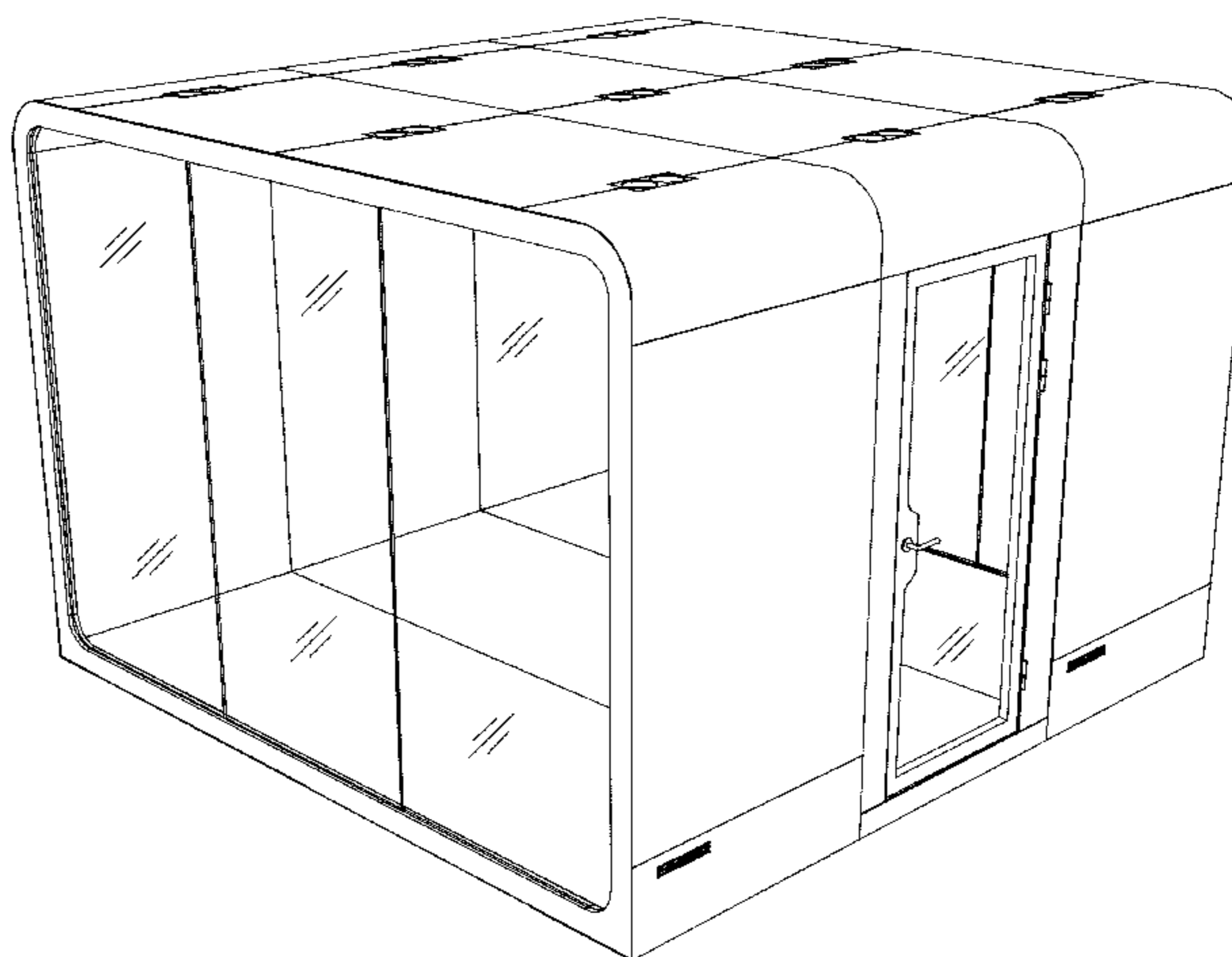
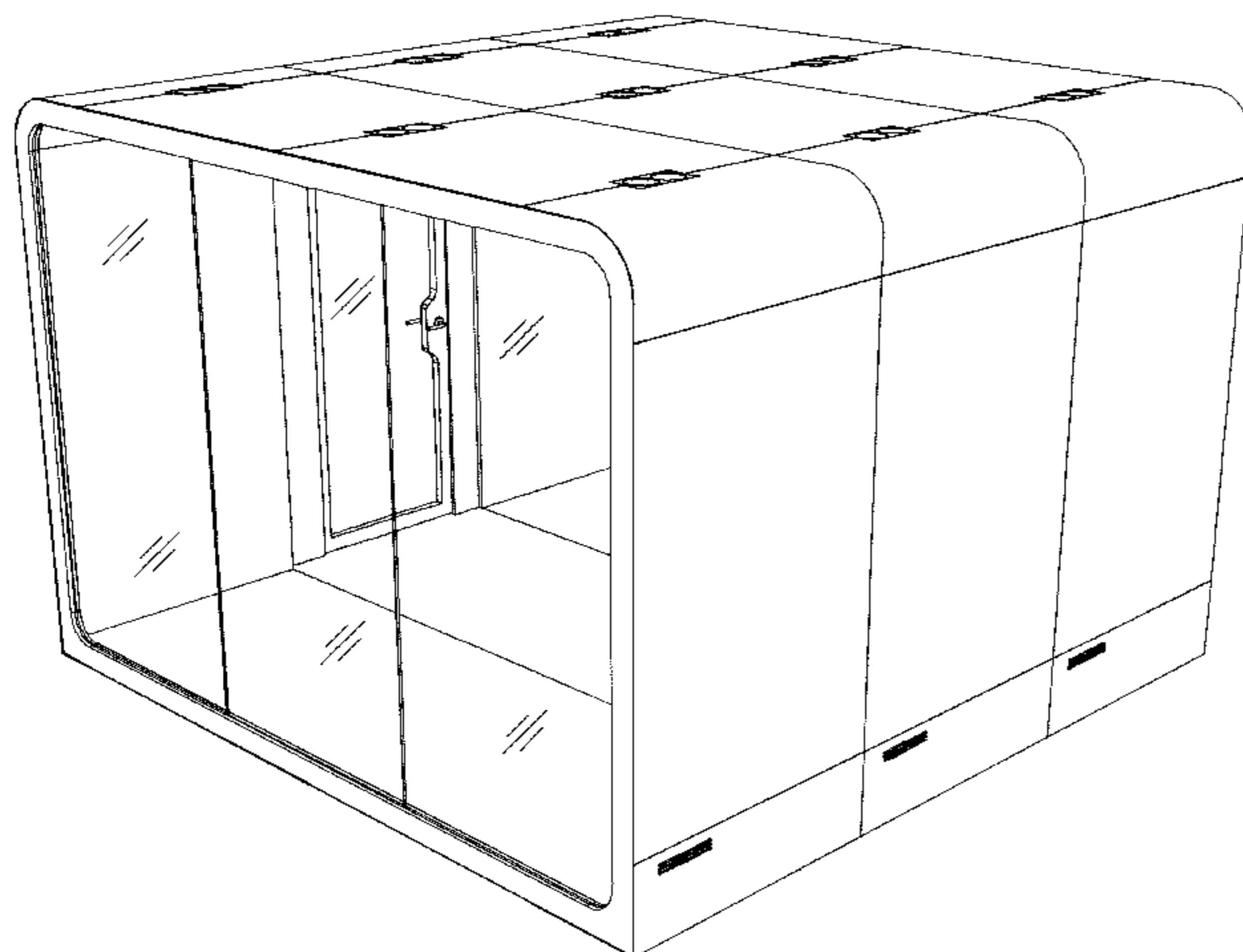
FIG. 4 is a back view thereof;

FIG. 5 is a left view thereof;

FIG. 6 is a right view thereof; and

FIG. 7 is a top view thereof.

**1 Claim, 7 Drawing Sheets**



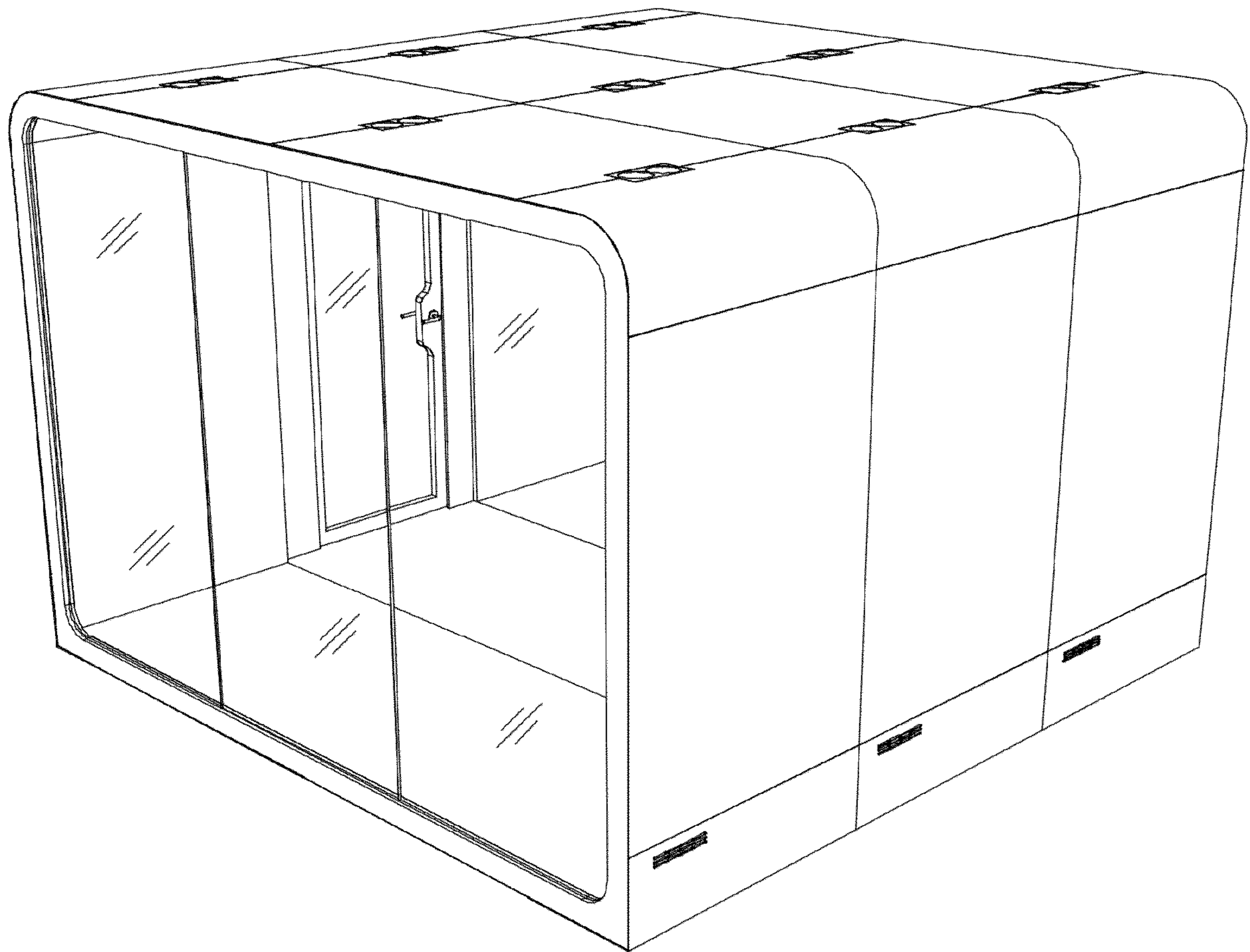


FIG. 1

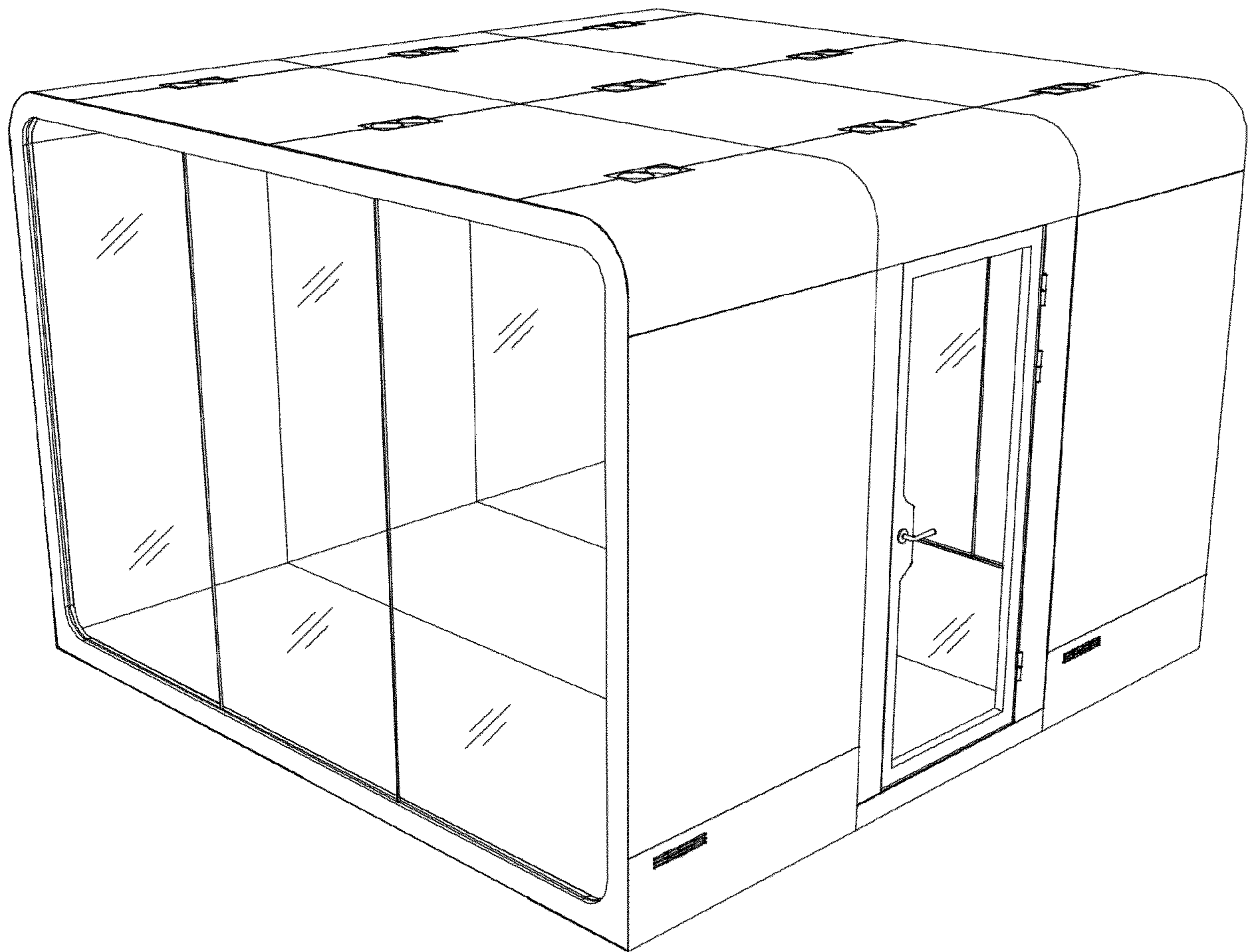


FIG. 2

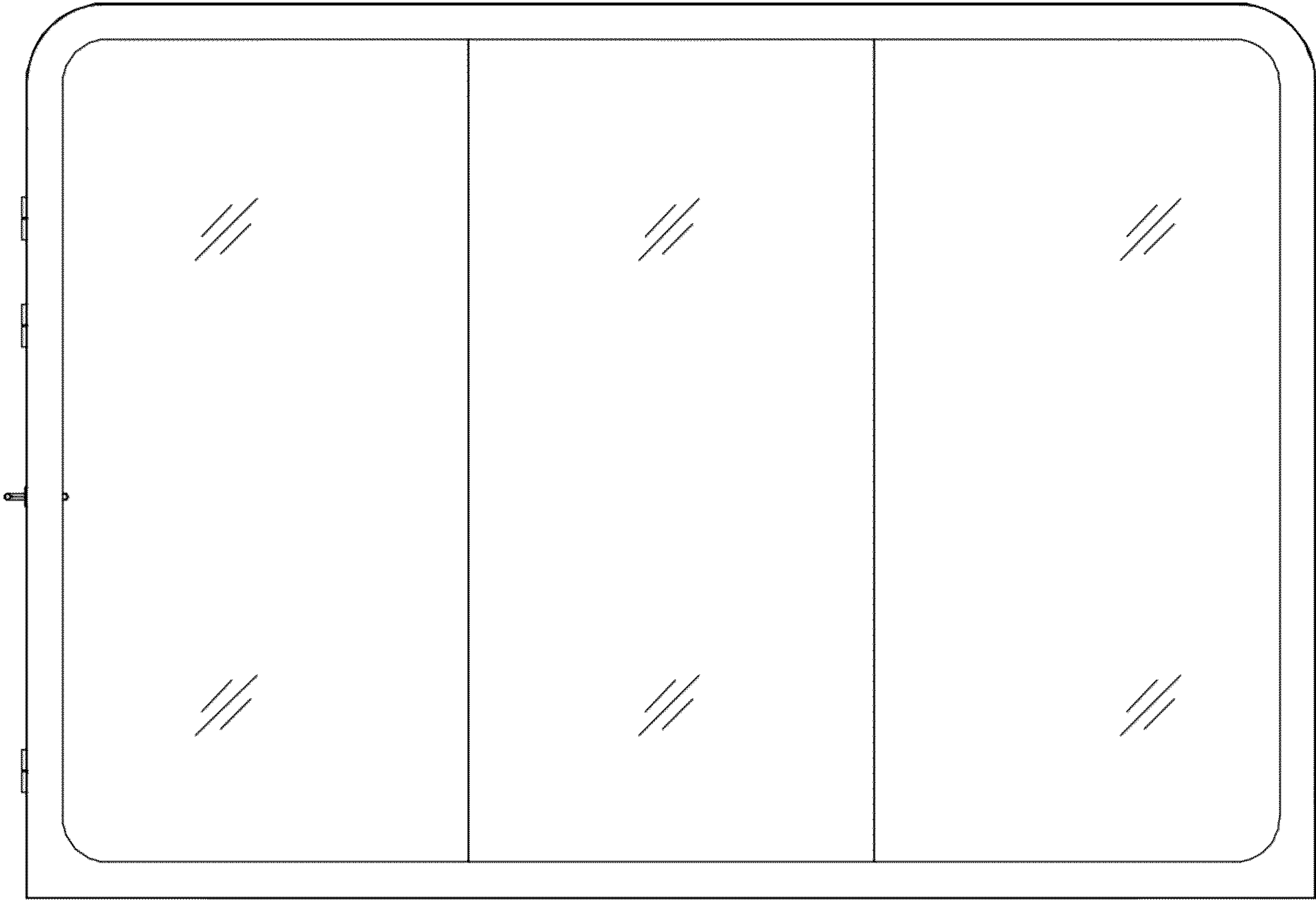


FIG. 3

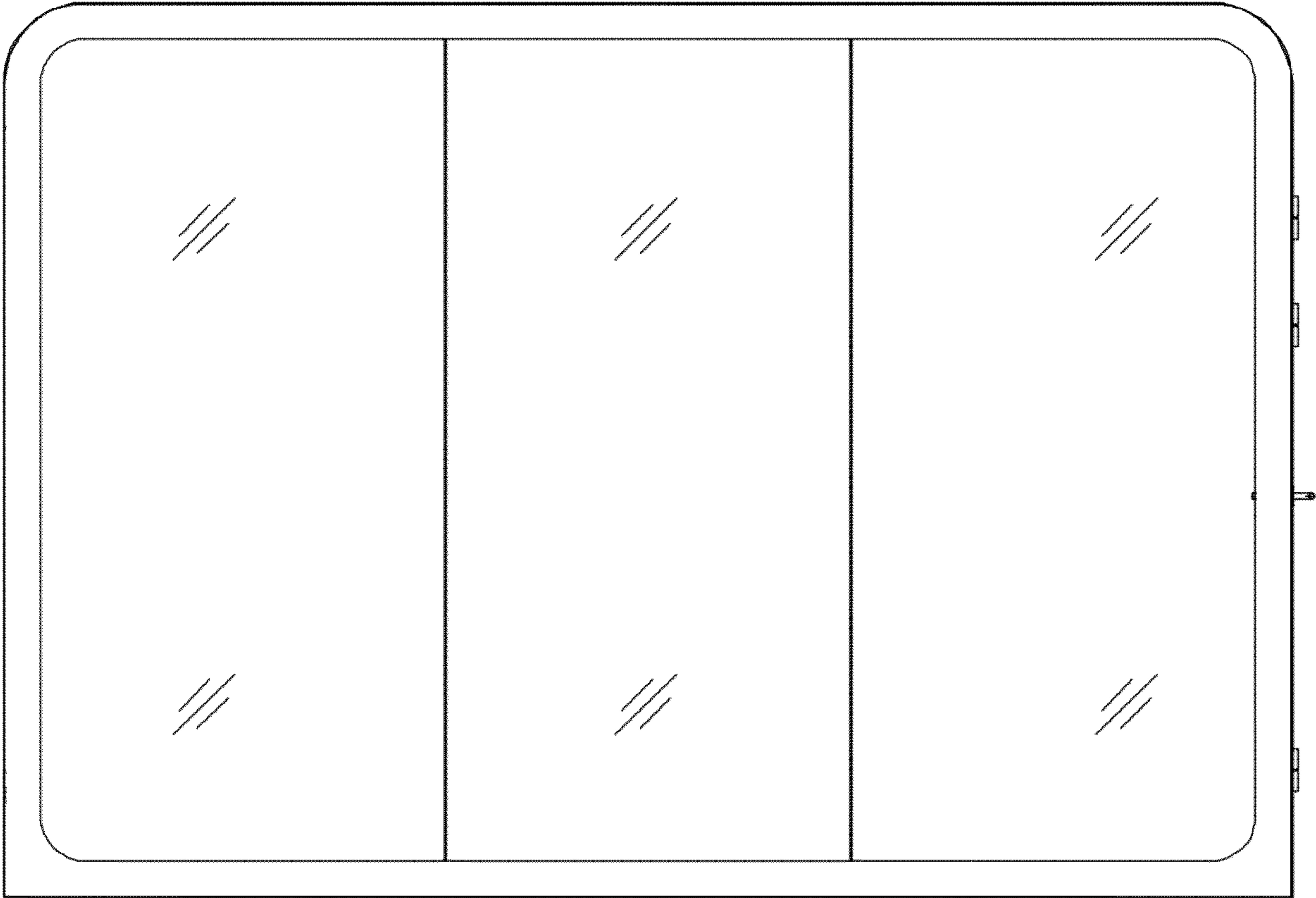


FIG. 4

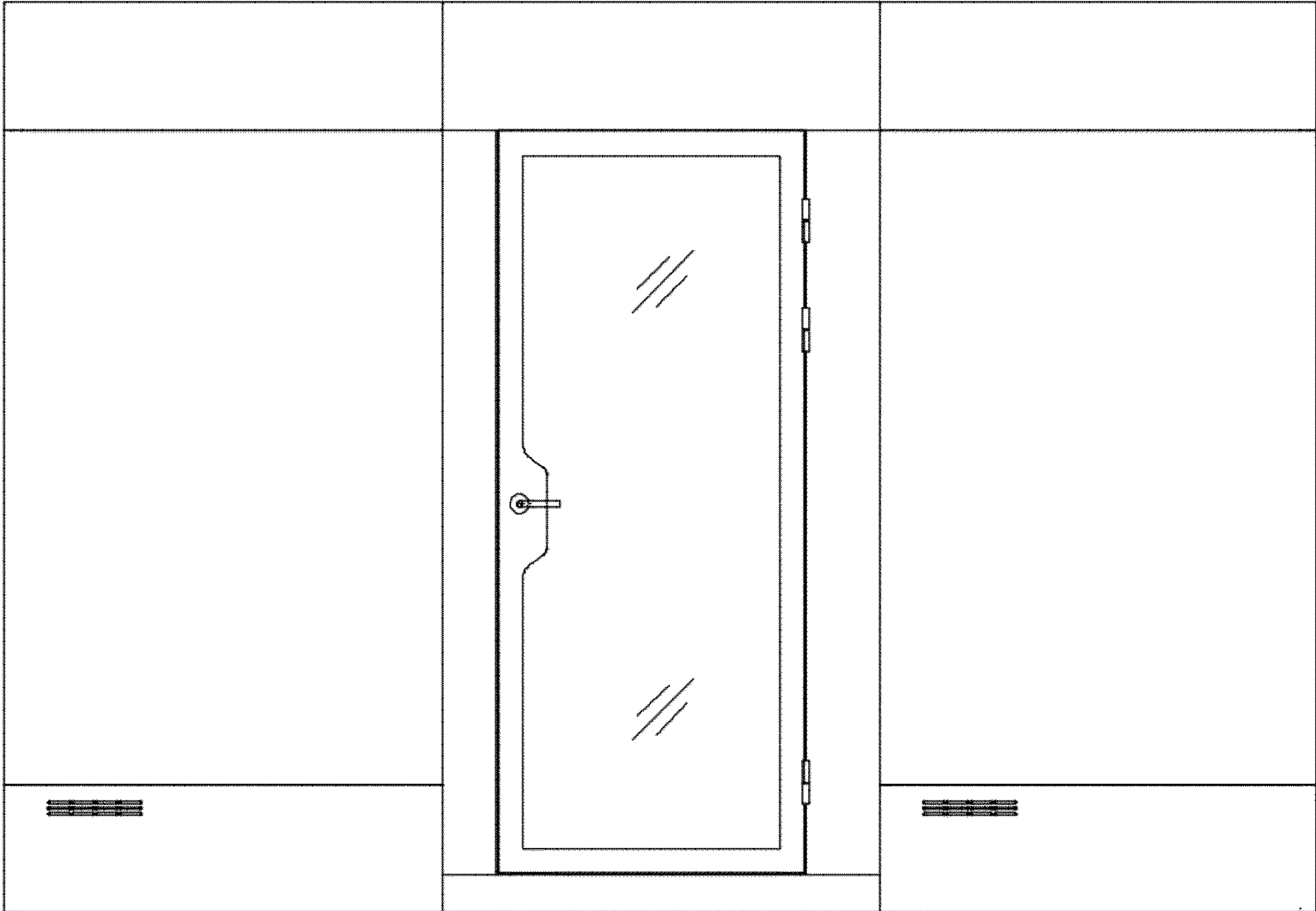





FIG. 5

*FIG. 6*

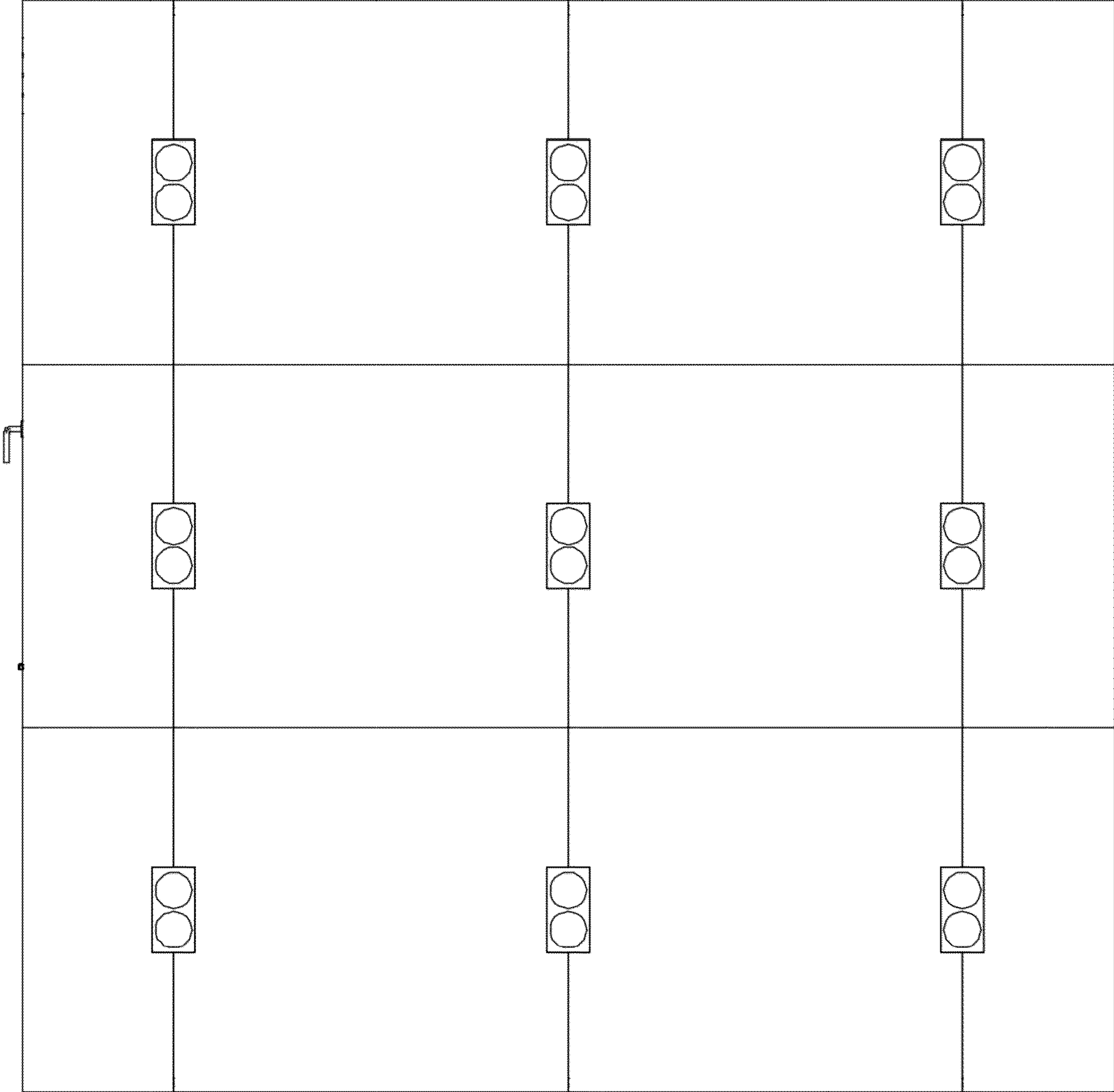


FIG. 7