



US0D1003368S

(12) **United States Design Patent** (10) **Patent No.:** **US D1,003,368 S**
Mazur (45) **Date of Patent:** **** Oct. 31, 2023**

(54) **ELEMENT FOR A TOY BUILDING SET**

(71) Applicant: **Lego A/S**, Billund (DK)

(72) Inventor: **Yoel Mazur**, Billund (DK)

(73) Assignee: **LEGO A/S**, Billund (DK)

(**) Term: **15 Years**

(21) Appl. No.: **29/762,781**

(22) Filed: **Dec. 18, 2020**

(51) **LOC (14) Cl.** **21-01**

(52) **U.S. Cl.**
USPC **D21/494**

(58) **Field of Classification Search**
USPC D21/468, 478, 479, 484–505
CPC A63H 33/00; A63H 33/04; A63H 33/06;
A63H 33/062; A63H 33/065; A63H
33/08; A63H 33/084; A63H 33/088;
A63H 33/101; A63H 33/102; A63H
33/108; A63H 33/12; A63H 33/3044;
A63H 11/04

See application file for complete search history.

(56) **References Cited**

U.S. PATENT DOCUMENTS

D223,463 S * 4/1972 Deanen D21/503
4,087,932 A * 5/1978 Rosenthal A63H 3/50
446/315

D546,899 S * 7/2007 Sorensen D21/484
D573,203 S * 7/2008 Chun D21/505
D715,376 S * 10/2014 Dansereau D21/503
D902,091 S * 11/2020 Ewing D21/495

* cited by examiner

Primary Examiner — Cynthia M. Chin

(74) *Attorney, Agent, or Firm* — Fross, Zelnick, Lehrman
& Zissu, P.C.; Charles T. J. Weigell, Esq.

(57) **CLAIM**

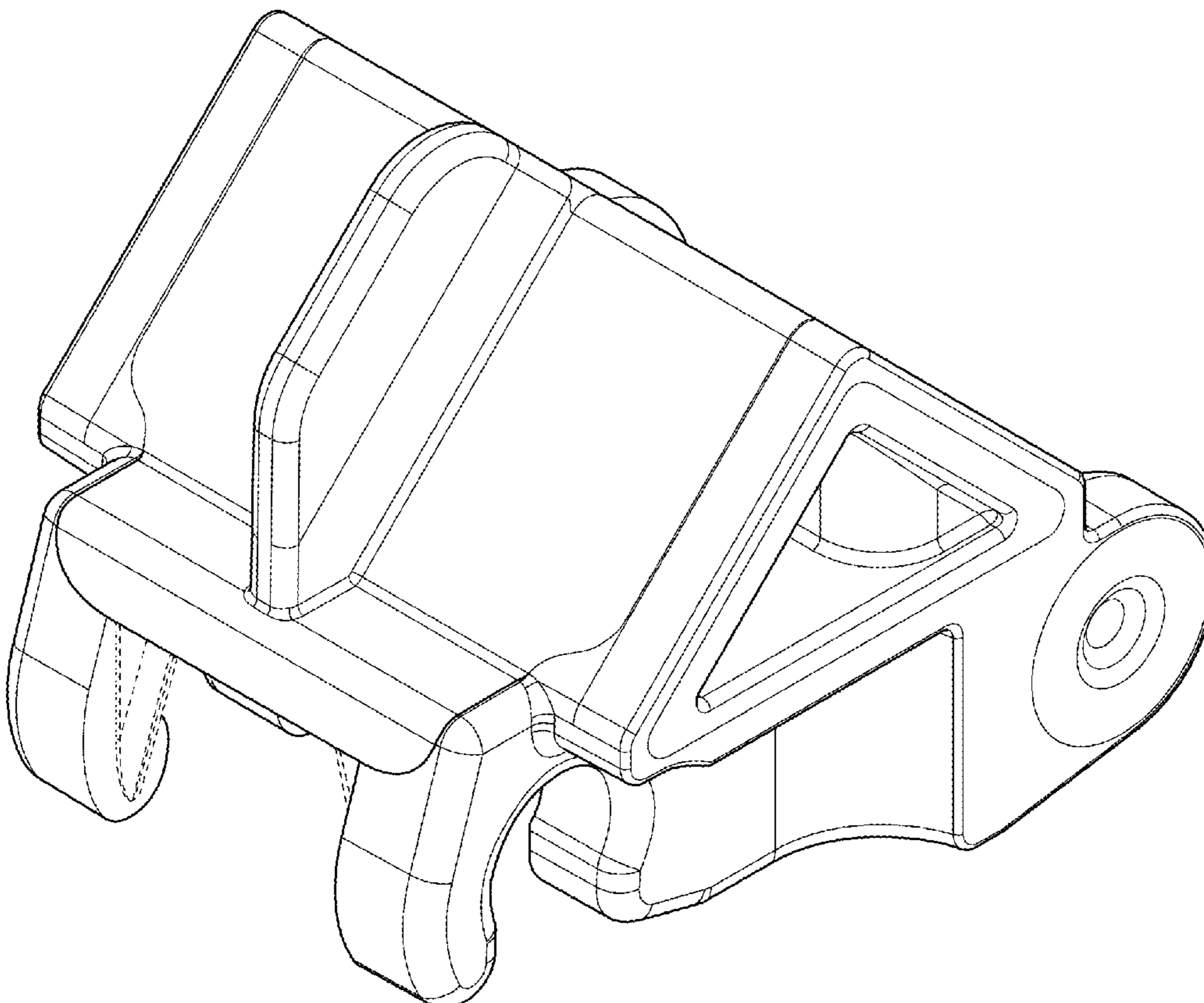
The ornamental design for an element for a toy building set,
as shown and described.

DESCRIPTION

FIG. 1 is a perspective view of an element for a toy building
set showing my new design;
FIG. 2 is a front view thereof;
FIG. 3 is a back view thereof;
FIG. 4 is a left side view thereof;
FIG. 5 is a right side view thereof,
FIG. 6 is a top view thereof; and,
FIG. 7 is a bottom view thereof.

The broken lines in the figures depict portions of the element
for a toy building set that form no part of the claimed design.

1 Claim, 7 Drawing Sheets



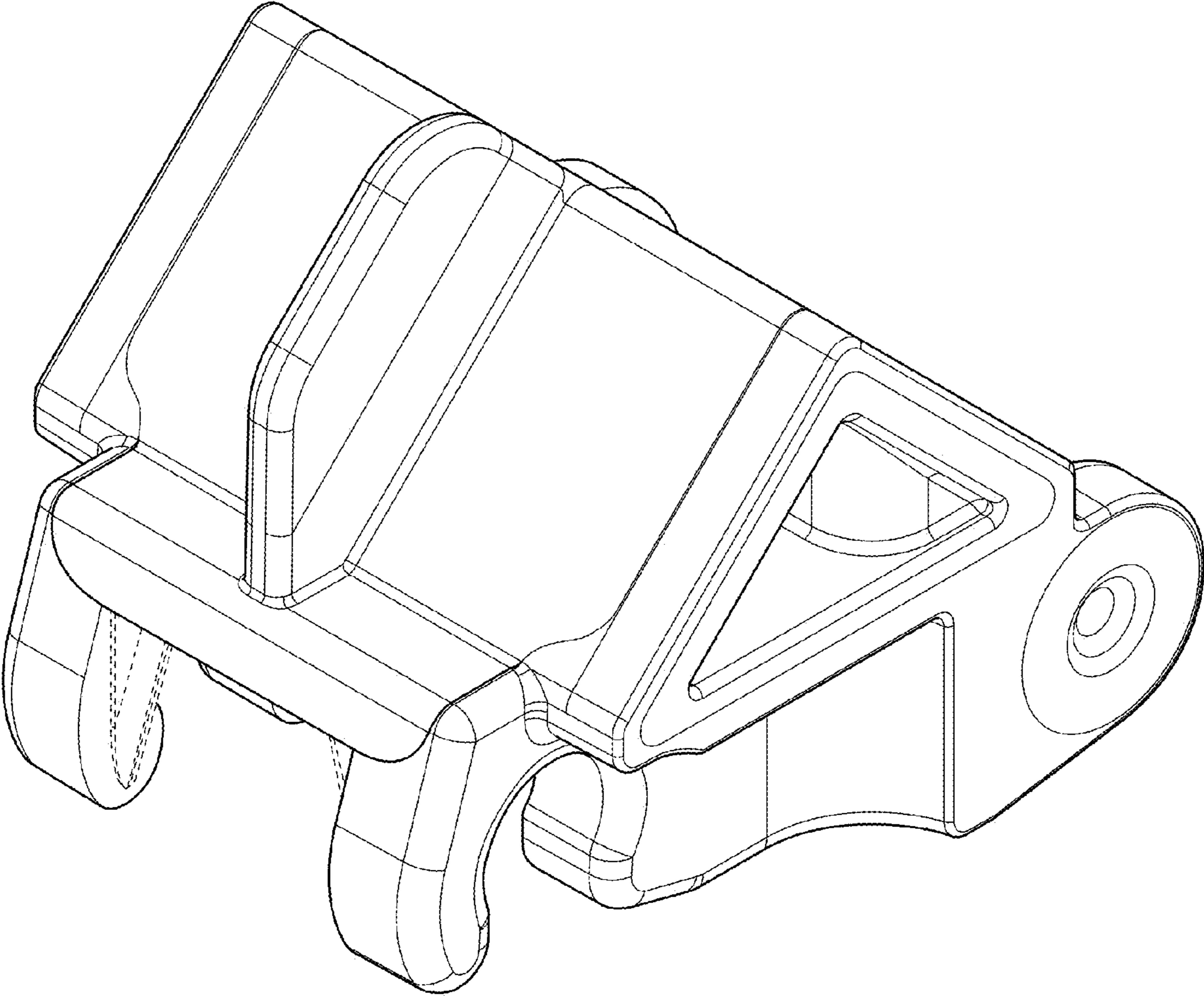


FIG. 1

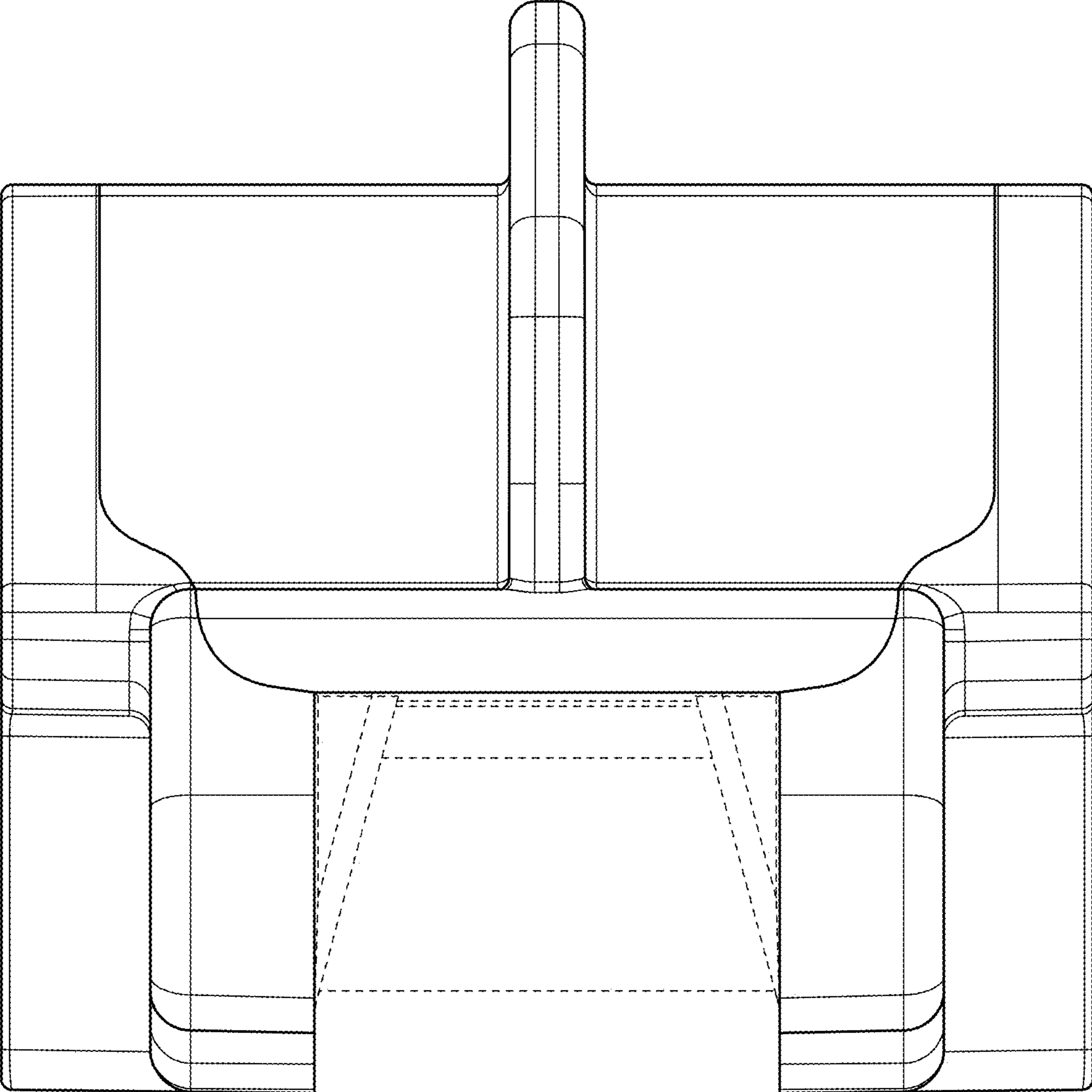


FIG. 2

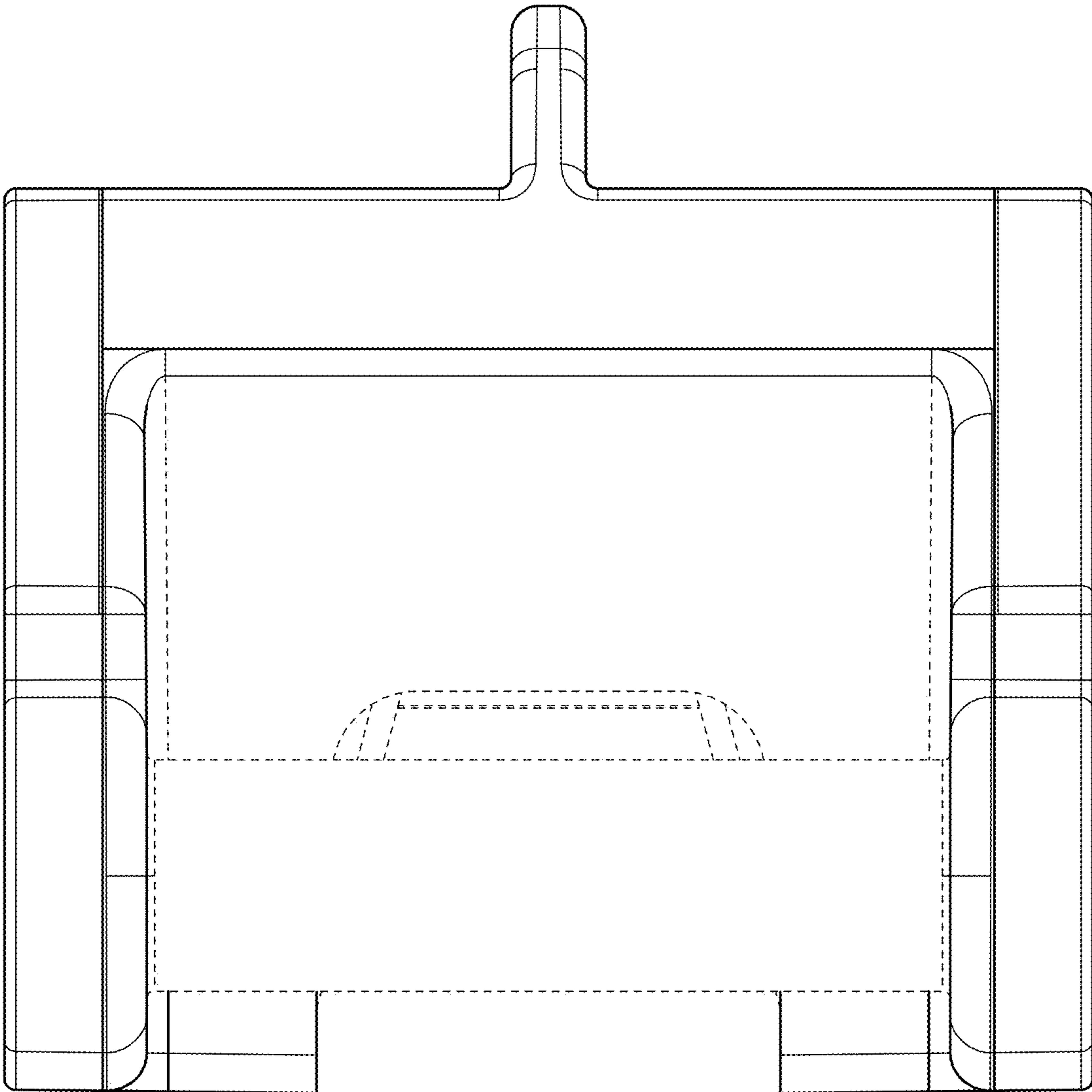


FIG. 3

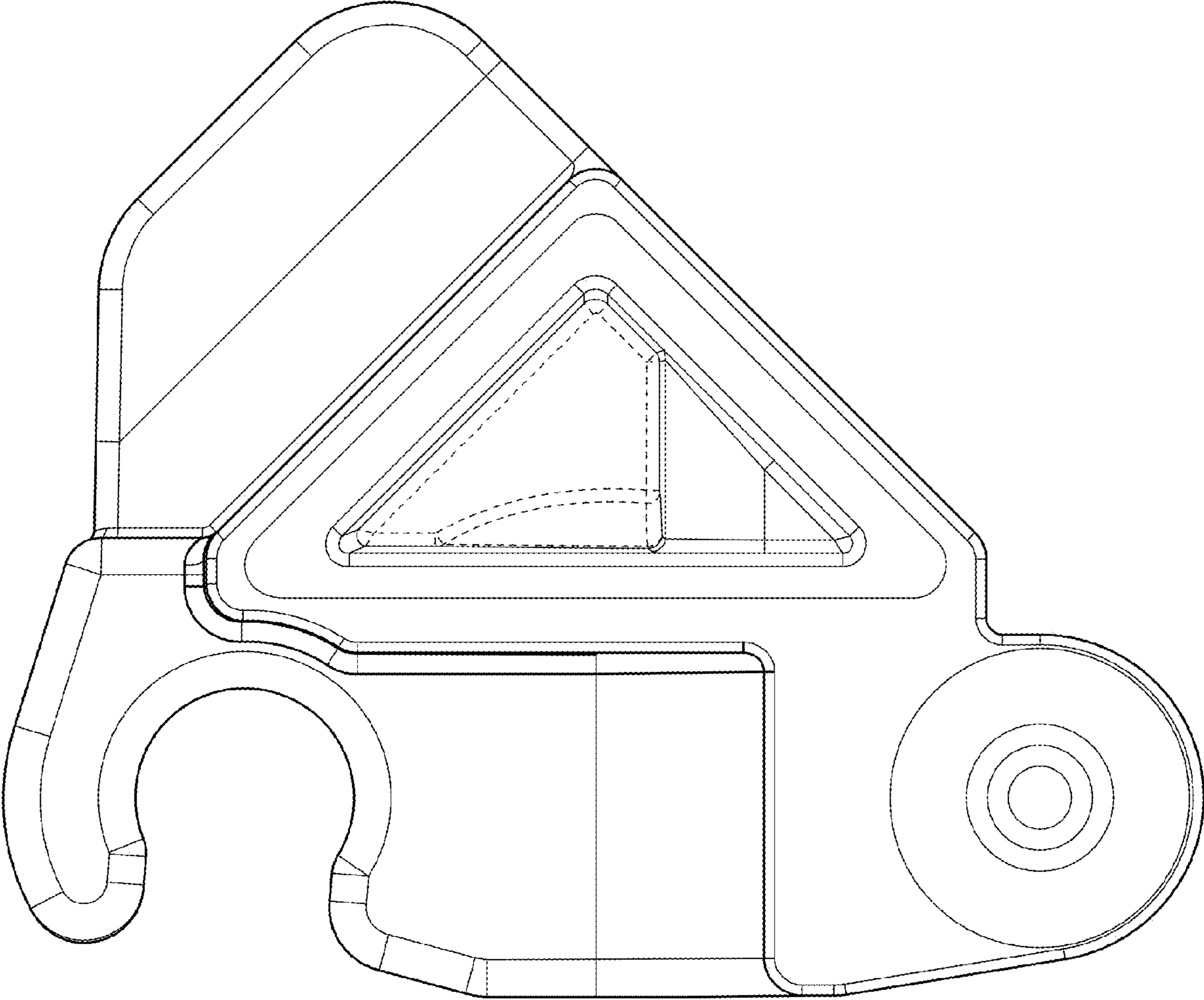


FIG. 4

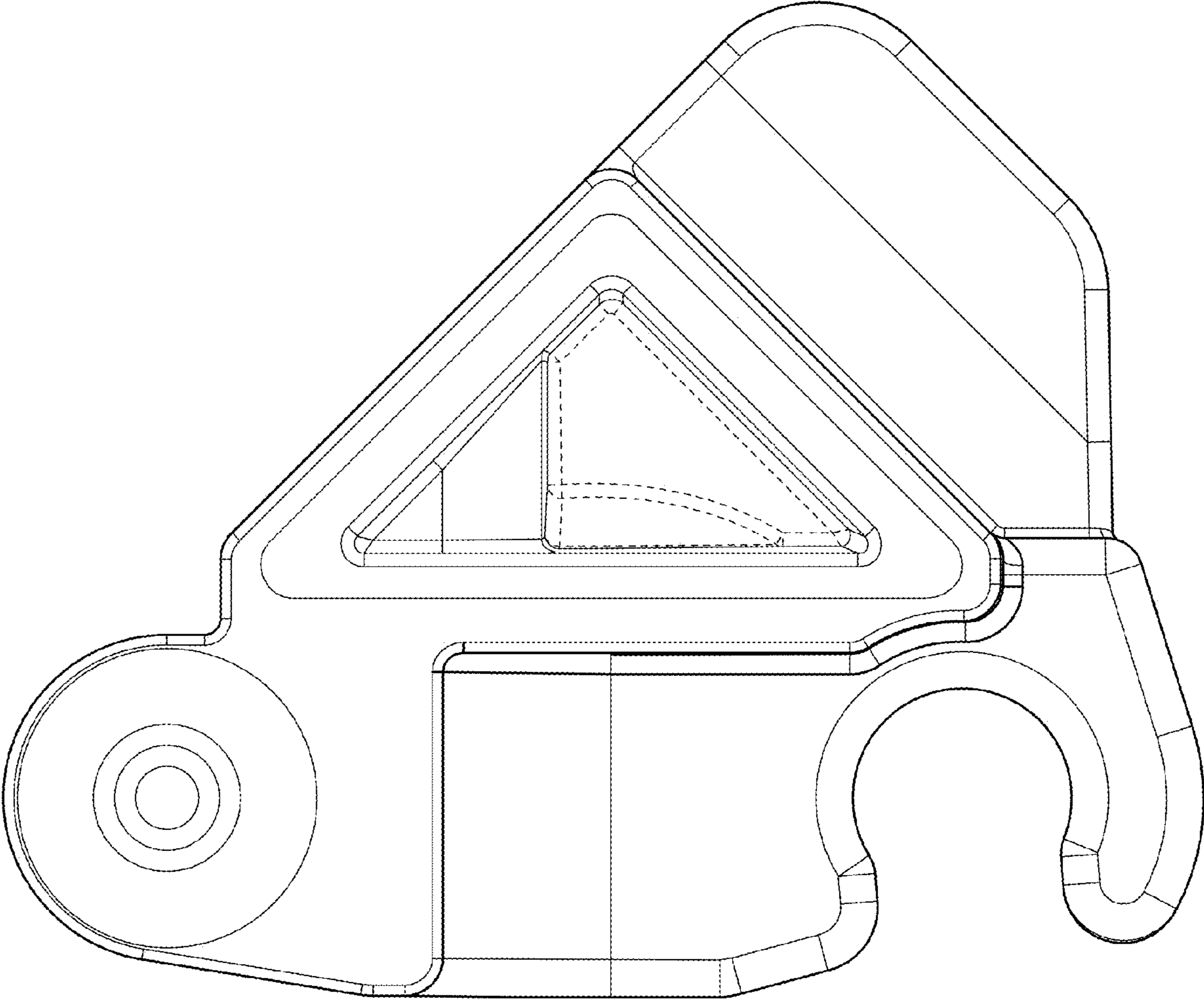


FIG. 5

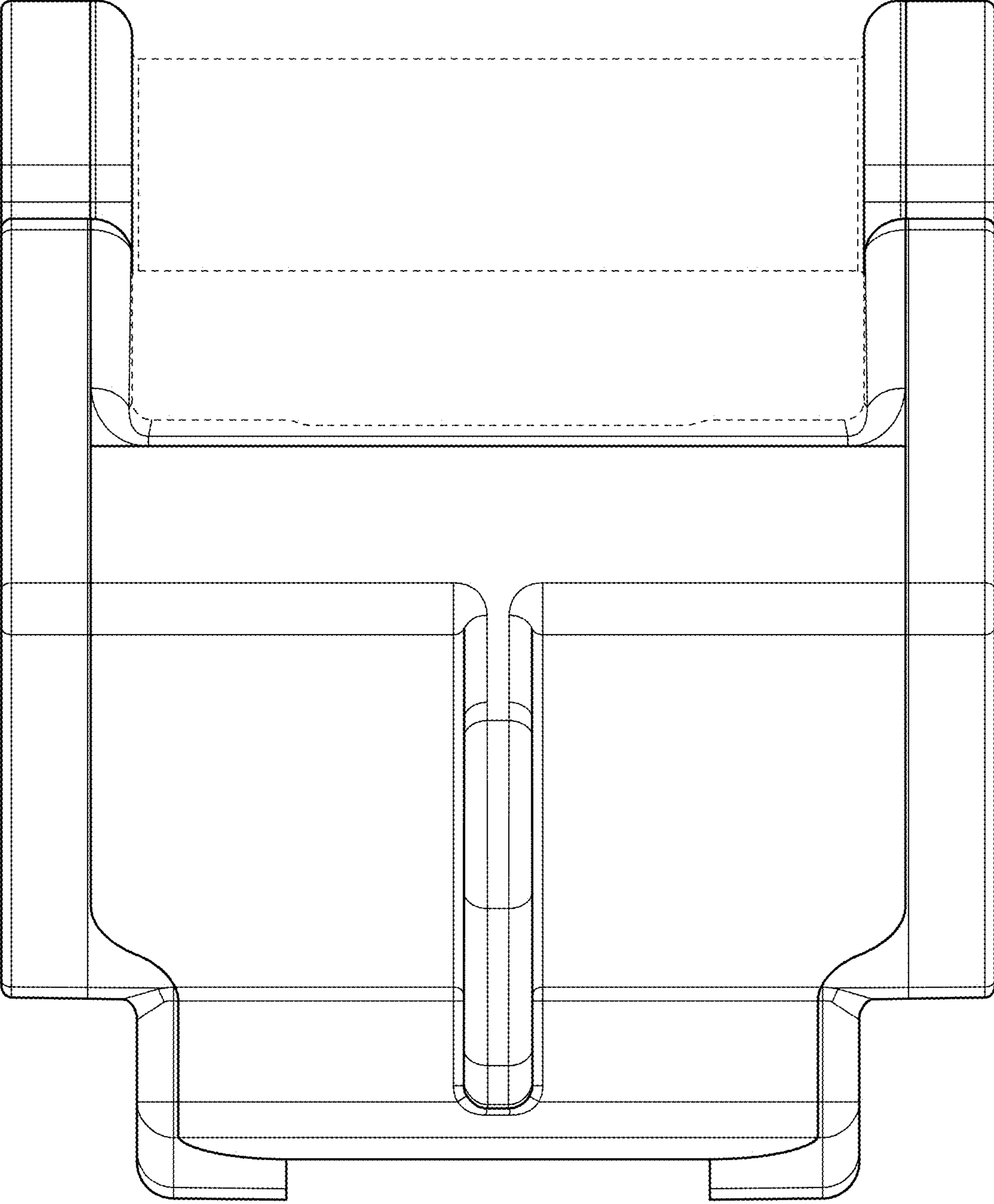


FIG. 6

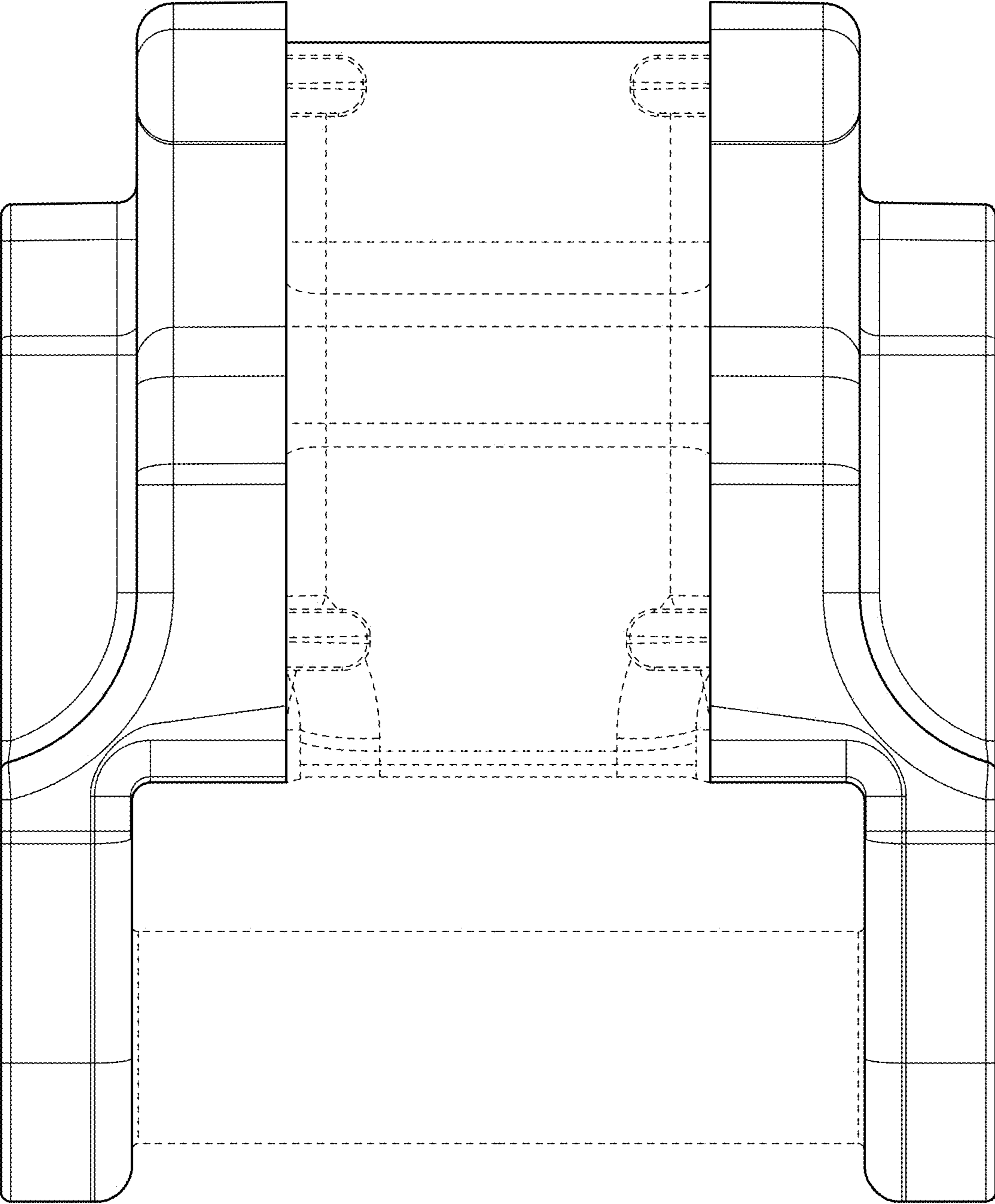


FIG. 7