



US0D1003280S

(12) **United States Design Patent** (10) **Patent No.:** **US D1,003,280 S**  
**Ma** (45) **Date of Patent:** **\*\* Oct. 31, 2023**

(54) **ANTENNA**  
(71) Applicant: **Avery Dennison Retail Information Services LLC**, Mentor, OH (US)  
(72) Inventor: **Shubin Ma**, Tampere (FI)  
(73) Assignee: **Avery Dennison Retail Information Services LLC**, Mentor, OH (US)  
(\*\*) Term: **15 Years**

D896,208 S \* 9/2020 Howard ..... D14/230  
D896,795 S \* 9/2020 Howard ..... D14/230  
D963,626 S \* 9/2022 Moradi ..... D14/230  
2004/0066296 A1 \* 4/2004 Atherton ..... G08B 13/2434  
340/572.1  
2004/0130500 A1 \* 7/2004 Takei ..... H05K 3/4685  
343/895  
2005/0035924 A1 \* 2/2005 Liu ..... G06K 19/07752  
343/895  
2009/0231203 A1 \* 9/2009 Ficker ..... H01Q 7/00  
29/601

(Continued)

(21) Appl. No.: **29/817,919**  
(22) Filed: **Dec. 6, 2021**  
(51) **LOC (14) Cl.** ..... **14-03**  
(52) **U.S. Cl.**  
USPC ..... **D14/230**  
(58) **Field of Classification Search**  
USPC ..... D14/230, 231-240, 299, 343, 489, 492,  
D14/138, 135; D13/182; D12/42-43  
CPC ..... H01Q 7/00; H01Q 13/10; H01Q 9/285;  
H01Q 19/30; H01Q 1/36; H01Q 1/38;  
H05K 11/00; G05D 1/0234; G06K  
19/07749; G01R 29/10; G01S 2013/0245;  
G01S 2013/0254; G01S 2013/0263; G01S  
7/4026  
See application file for complete search history.

FOREIGN PATENT DOCUMENTS

CN 306662634 \* 2/2021  
CN 306620712 \* 6/2021  
CN 307680668 \* 11/2022

(Continued)

OTHER PUBLICATIONS

Smartrac, "Web Dual Frequency RFID Wet Inlay," available at atlasrfidstore.com, oldest date 2017, site visited Jul. 6, 2023, available at URL: <https://www.atlasrfidstore.com/smartrac-web-dual-frequency-rfid-wet-inlay-wet-inlay-em4423/> (Year: 2017).\*

(Continued)

*Primary Examiner* — Daniel J Domino  
*Assistant Examiner* — Samina Vieth

(56) **References Cited**

U.S. PATENT DOCUMENTS

5,321,240 A \* 6/1994 Takahira ..... G06K 19/07779  
235/487  
D507,298 S \* 7/2005 Allard ..... D19/10  
D510,103 S \* 9/2005 Allard ..... D19/10  
D710,835 S \* 8/2014 Forster ..... D14/230  
D788,744 S \* 6/2017 Forster ..... D14/230  
D840,379 S \* 2/2019 Howard ..... D14/230  
D866,536 S \* 11/2019 Forster ..... D14/230  
D875,721 S \* 2/2020 Forster ..... D14/230  
10,552,725 B2 \* 2/2020 Klemm ..... G06K 19/072

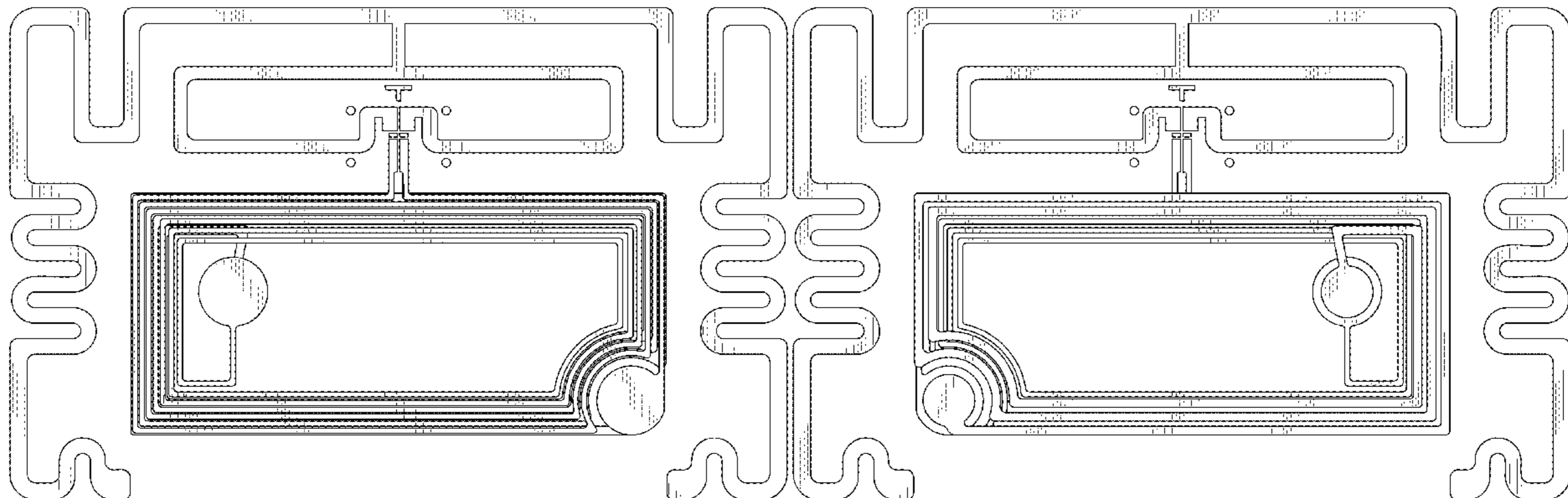
(57) **CLAIM**

The ornamental design for an antenna, as shown and described.

**DESCRIPTION**

FIG. 1 is an isometric view of an antenna showing the design.  
FIG. 2 is a top plan view thereof; and,  
FIG. 3 is a bottom plan view thereof.

**1 Claim, 3 Drawing Sheets**



(56)

**References Cited**

U.S. PATENT DOCUMENTS

2011/0220727 A1\* 9/2011 Lee ..... H01Q 1/2208  
343/822

FOREIGN PATENT DOCUMENTS

CN 307680669 \* 11/2022  
CN 307835323 \* 2/2023  
CN 308048850 \* 5/2023

OTHER PUBLICATIONS

Smartrac, "Web RFID Wet Inlay," available at atlasrfidstore.com, date published 2021, site visited Jul. 6, 2023, available at URL: <https://www.atlasrfidstore.com/smartrac-web-rfid-wet-inlay-nxp-ucode-8/#short-description-id> (Year: 2021).\*

Smartrac, "Web RFID Wet Inlay Paper Tag . . .", available at atlasrfidstore.com, date published 2021, site visited Jul. 6, 2023, available at URL: <https://www.atlasrfidstore.com/smartrac-web-rfid-paper-tag-nxp-ucode-8/#short-description-id> (Year: 2021).\*

Smartrac, "Web RFID Paper Tag (M750)", available at atlasrfidstore.com, date published 2022, site visited Jul. 6, 2023, available at URL: <https://www.atlasrfidstore.com/smartrac-web-rfid-paper-tag-m750/> (Year: 2022).\*

\* cited by examiner

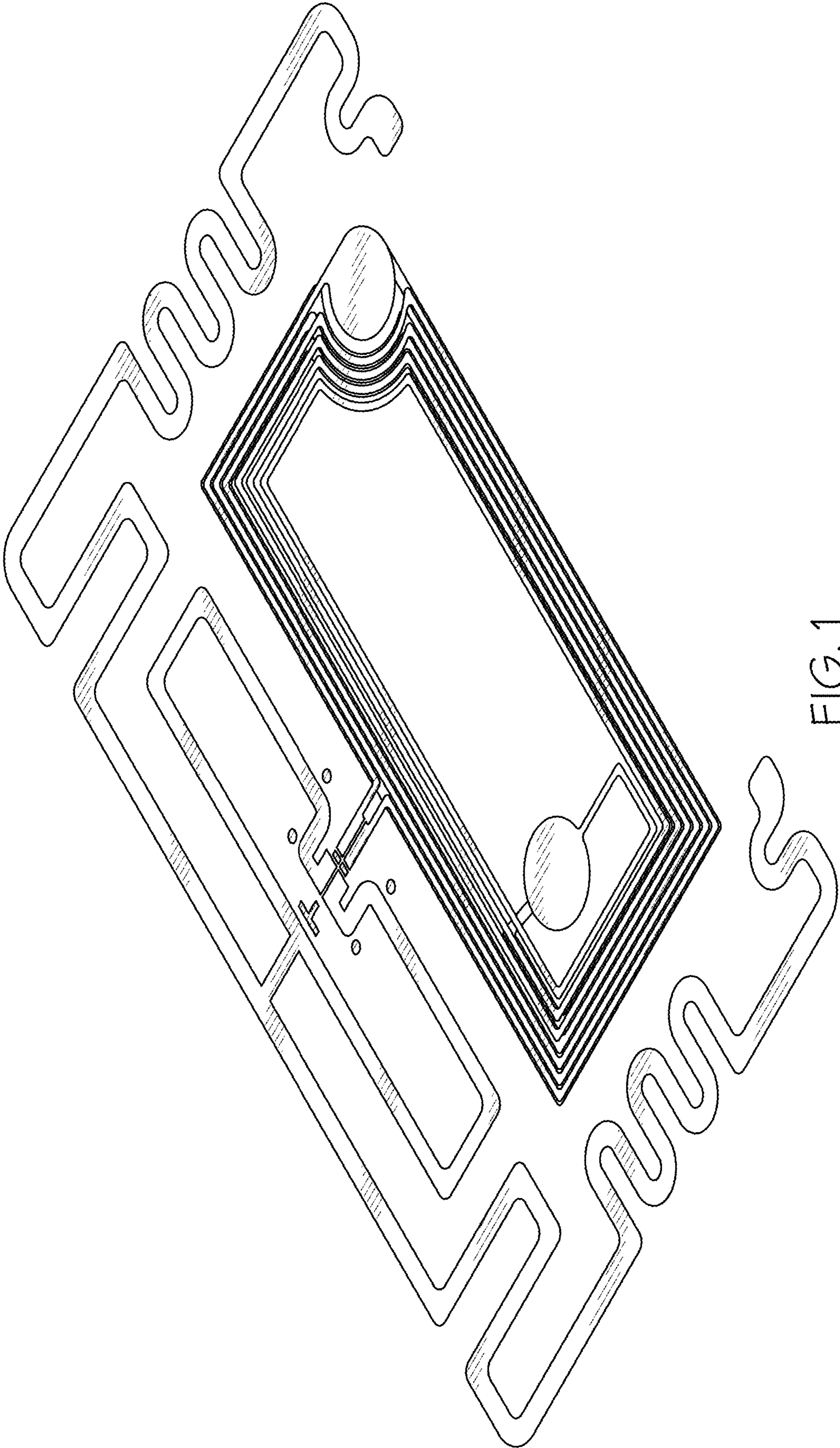


FIG. 1

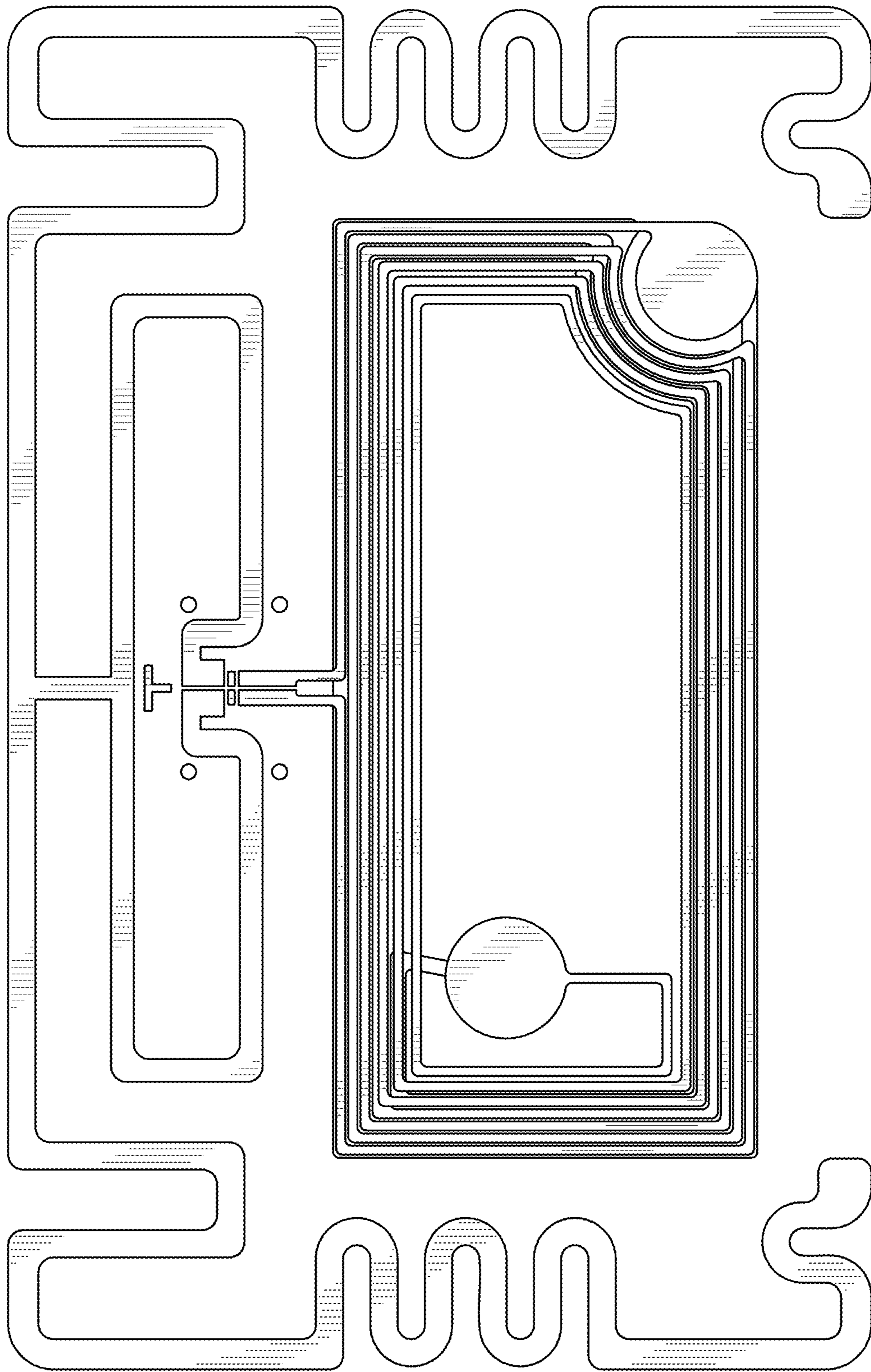


FIG. 2

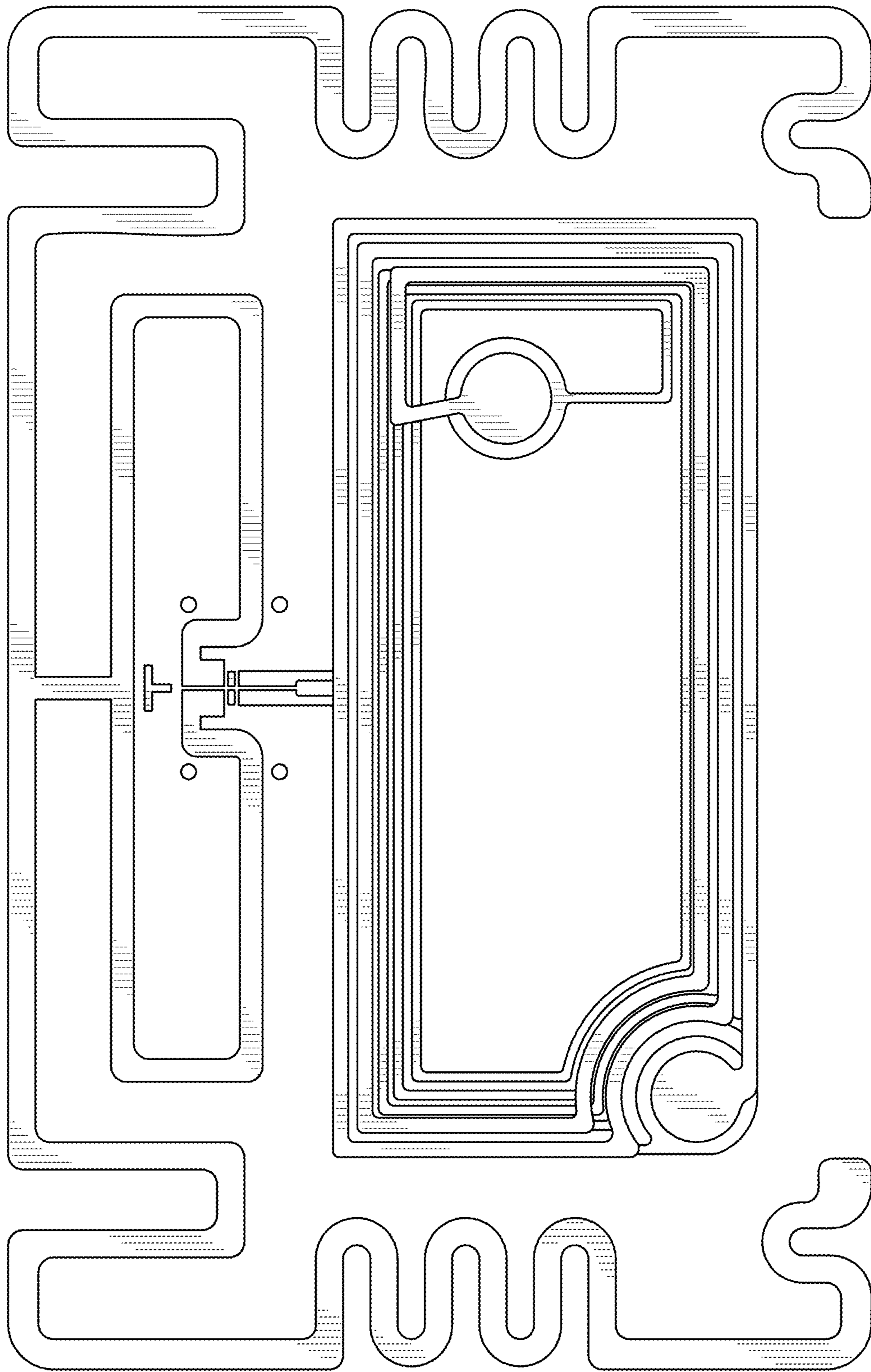


FIG. 3