



US0D1003160S

(12) **United States Design Patent** (10) **Patent No.:** **US D1,003,160 S**
Kilburn et al. (45) **Date of Patent:** **** Oct. 31, 2023**

(54) **NOZZLE**

(71) Applicant: **Reckitt & Colman (Overseas)**
Hygiene Home Limited, Slough (GB)

(72) Inventors: **Miles Kilburn**, Warwick (GB); **Stuart James King**, Warwick (GB); **David Sanders**, Warwick (GB)

(73) Assignee: **Reckitt & Colman (Overseas)**
Hygiene Home Limited, Slough (GB)

(**) Term: **15 Years**

(21) Appl. No.: **29/772,485**

(22) Filed: **Mar. 2, 2021**

(30) **Foreign Application Priority Data**

Sep. 4, 2020 (EM) 008160873-0003

Mar. 2, 2021 (EM) 008448948-0001

(51) **LOC (14) Cl.** **09-07**

(52) **U.S. Cl.**
USPC **D9/448**

(58) **Field of Classification Search**

USPC D7/392, 397, 620, 633, 312, 399;
D9/682, 685, 686, 523, 535, 435, 440,
D9/447, 448, 434, 449; D6/542, 543;
D23/208, 209, 213, 223, 226

CPC ... A46B 11/0006; A46B 11/08; B65D 83/285;
B65D 83/72; B65D 51/2864; B65D
83/28; B65D 47/00; B65D 47/06; B65D
39/00; B65D 39/0047; B65D 1/00; B65D
1/02; B65D 1/10; B65D 1/46; B65B
11/0006; B65B 11/08; B05B 11/047;
B05B 11/0072; B05B 11/048; B05B
7/0018; B05B 7/0093; B05B 7/02; B05B
7/06; B05B 7/062; B05B 7/064; B05B
7/12; B05B 7/129; B05B 7/24; B05B
7/2475; B05B 7/2478; B05B 5/025; B05B
5/03; B05B 5/16; B05B 5/1691; A61J
1/00; A61J 1/1412

See application file for complete search history.

(56) **References Cited**

U.S. PATENT DOCUMENTS

D101,575 S * 10/1936 Windbiel D9/449
D165,577 S * 1/1952 Fuld D9/447
D165,646 S * 1/1952 Fuld D9/447
2,730,273 A * 1/1956 Smith B65D 47/06
222/545
D402,203 S * 12/1998 de Laforcade D9/448
D414,697 S * 10/1999 Sayers D9/448
D415,427 S * 10/1999 Durliat D9/448
D452,554 S * 12/2001 McKee D23/233
D452,822 S * 1/2002 Boshuizen D9/448

(Continued)

OTHER PUBLICATIONS

Airless Pump: Site Visited (Feb. 11, 2023). Available from URL:
https://www.amazon.com/Sterile-Airless-Pump-Bottle-1oz/dp/B01CWY33U0?th=1.*

(Continued)

Primary Examiner — Catherine S Posthauer
(74) *Attorney, Agent, or Firm* — Norris McLaughlin PA

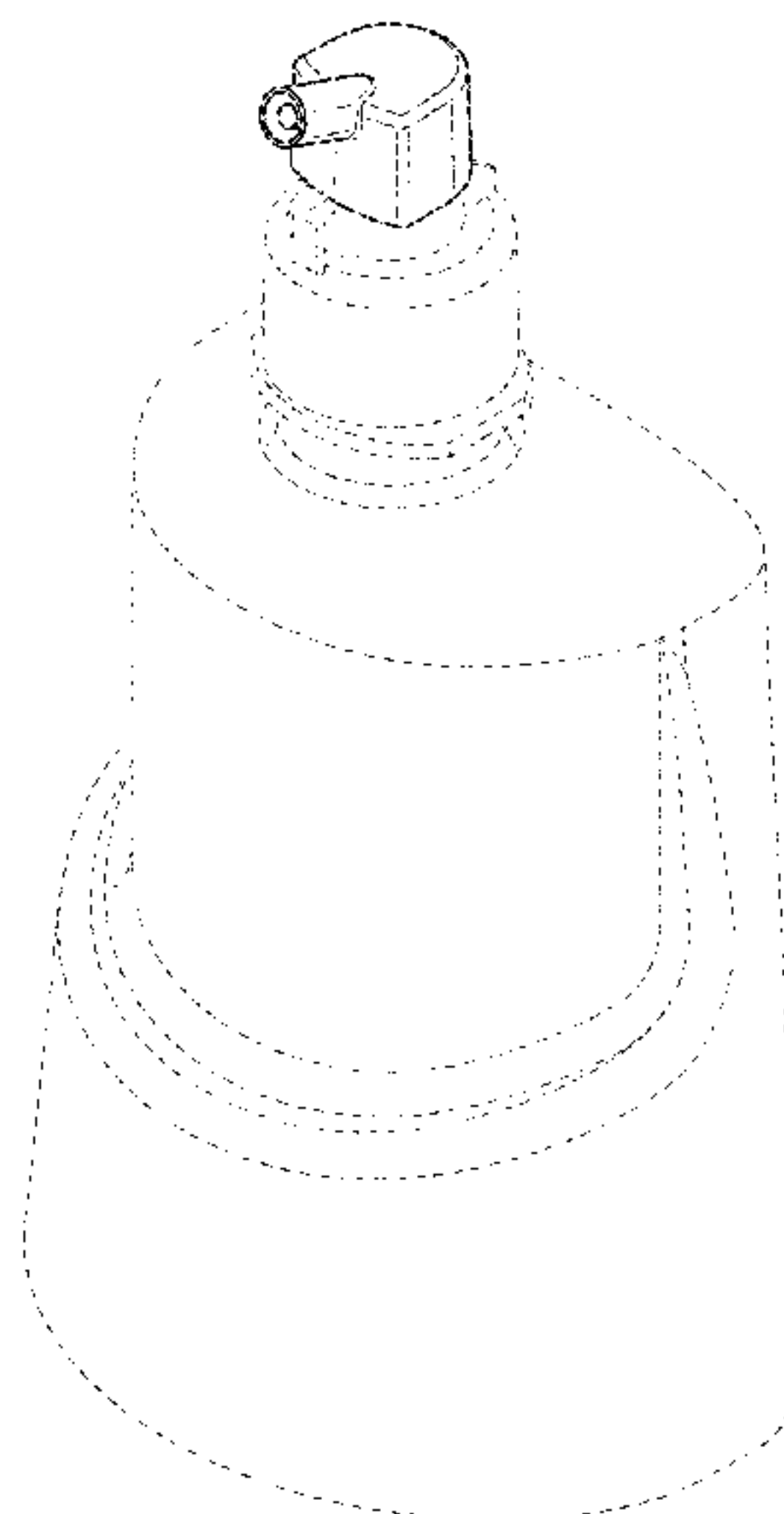
(57) **CLAIM**

The ornamental design for a nozzle, as shown and described.

DESCRIPTION

FIG. 1 is a top perspective view of the nozzle;
FIG. 2 is a front, elevation view thereof;
FIG. 3 is a rear, elevation view thereof;
FIG. 4 is a first side, elevation view thereof;
FIG. 5 is a second side, elevation view thereof;
FIG. 6 is a top, plan view thereof; and,
FIG. 7 is a bottom, plan view thereof.
The broken lines are shown for the purpose of illustrating
environmental subject matter of an exemplary container and
form no part of the claimed design.

1 Claim, 5 Drawing Sheets



(56)

References Cited

U.S. PATENT DOCUMENTS

D458,136 S * 6/2002 Bakic D9/448
D458,137 S * 6/2002 Bakic D9/448
D505,073 S * 5/2005 Flurer D9/448
D571,657 S * 6/2008 Kuo D9/448
D574,707 S * 8/2008 Pietrowski D9/448
D636,261 S * 4/2011 Michitsuji D9/448
D641,625 S * 7/2011 Kaplan D9/447
D667,726 S * 9/2012 Bloc D9/448
D795,065 S * 8/2017 Son D9/442
9,937,509 B2 * 4/2018 DeJong B05B 11/1047
D852,627 S * 7/2019 Arminak D9/449
D934,073 S * 10/2021 Tempfli D9/448
2018/0093801 A1 * 4/2018 Stolle B65D 1/32
2018/0162630 A1 * 6/2018 Shimizu B65D 83/68
2021/0323013 A1 * 10/2021 Carta B05B 11/1074
2022/0348398 A1 * 11/2022 Buogo B65D 83/384

OTHER PUBLICATIONS

Delta Stryke Soap and Lotion Dispenser: Site Visited (Jan. 27, 2023). Available from URL: <https://www.deltafaucet.com/delta/product/RP101629PCPR.html?utm=delta>.*

Sink Soap Dispenser: Announced (Sep. 16, 2020). Site Visited (Jan. 27, 2023). Available from URL: https://www.amazon.com/dp/B08J6SLC6J/ref=sspa_dk_detail_2?pd_rd_i=B08J6SLC6J&pd_rd_w=5xpEp&content-id=amzn1.sym.dd2c6db7-6626-4%E2%80%A6+1%2F11&th=1.*

Built in Soap Dispenser for Kitchen Sink: Announced (Aug. 10, 2021). Available from URL: <https://www.amazon.com/Dispenser-Kitchen-Stainless-Countertop-Refillable/dp/B09B3GHD3D?th=1>.*

* cited by examiner

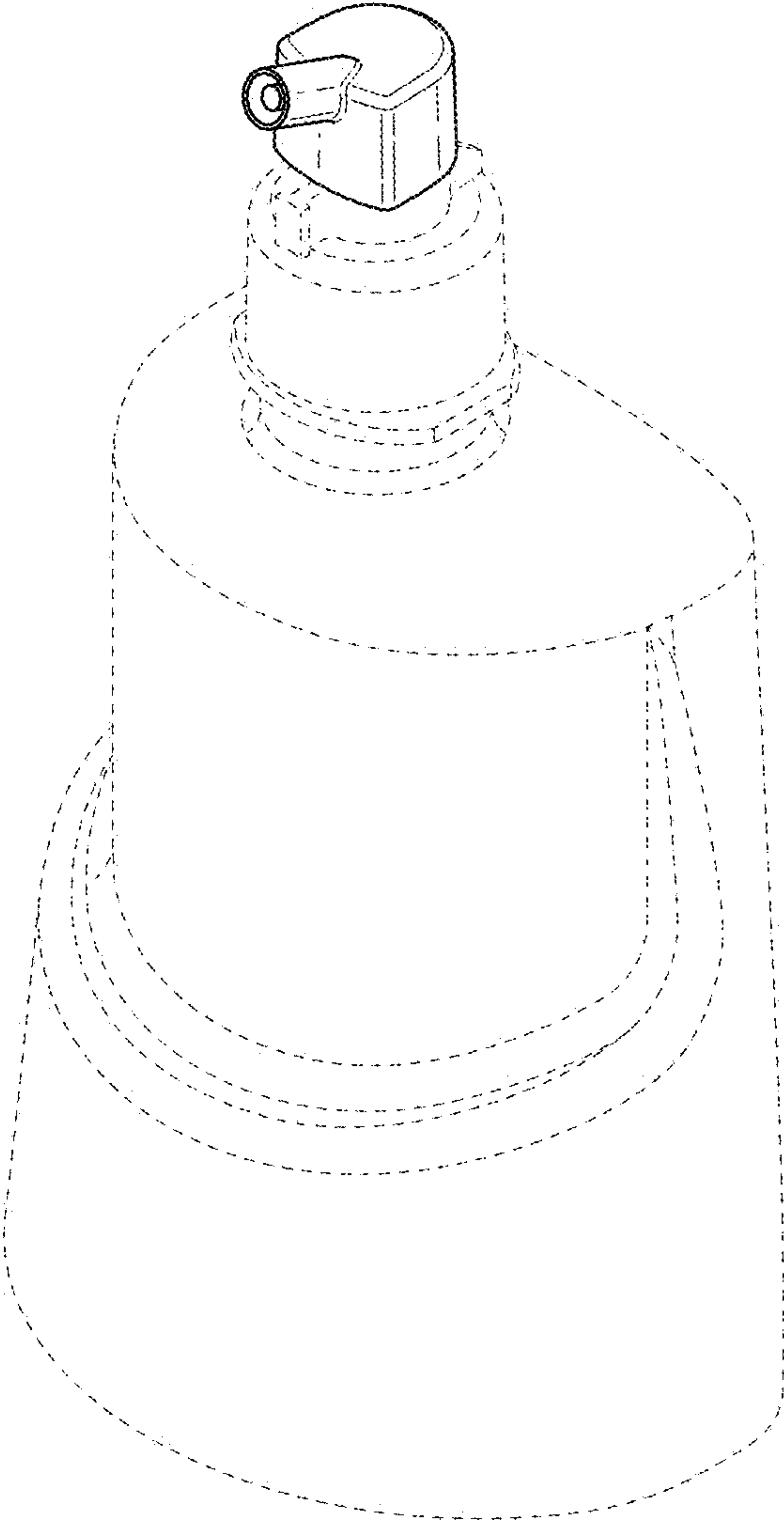


Fig. 1

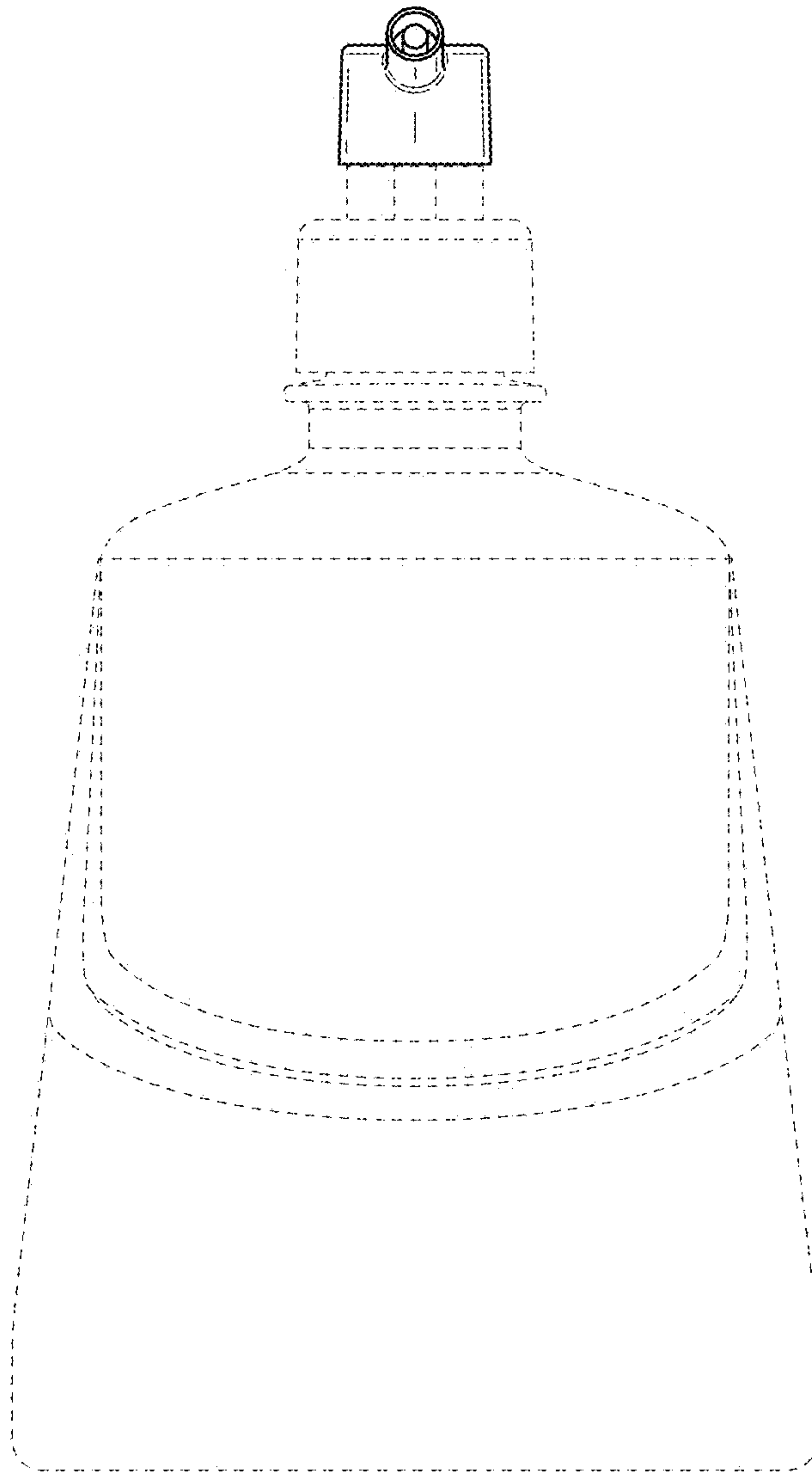


Fig. 2

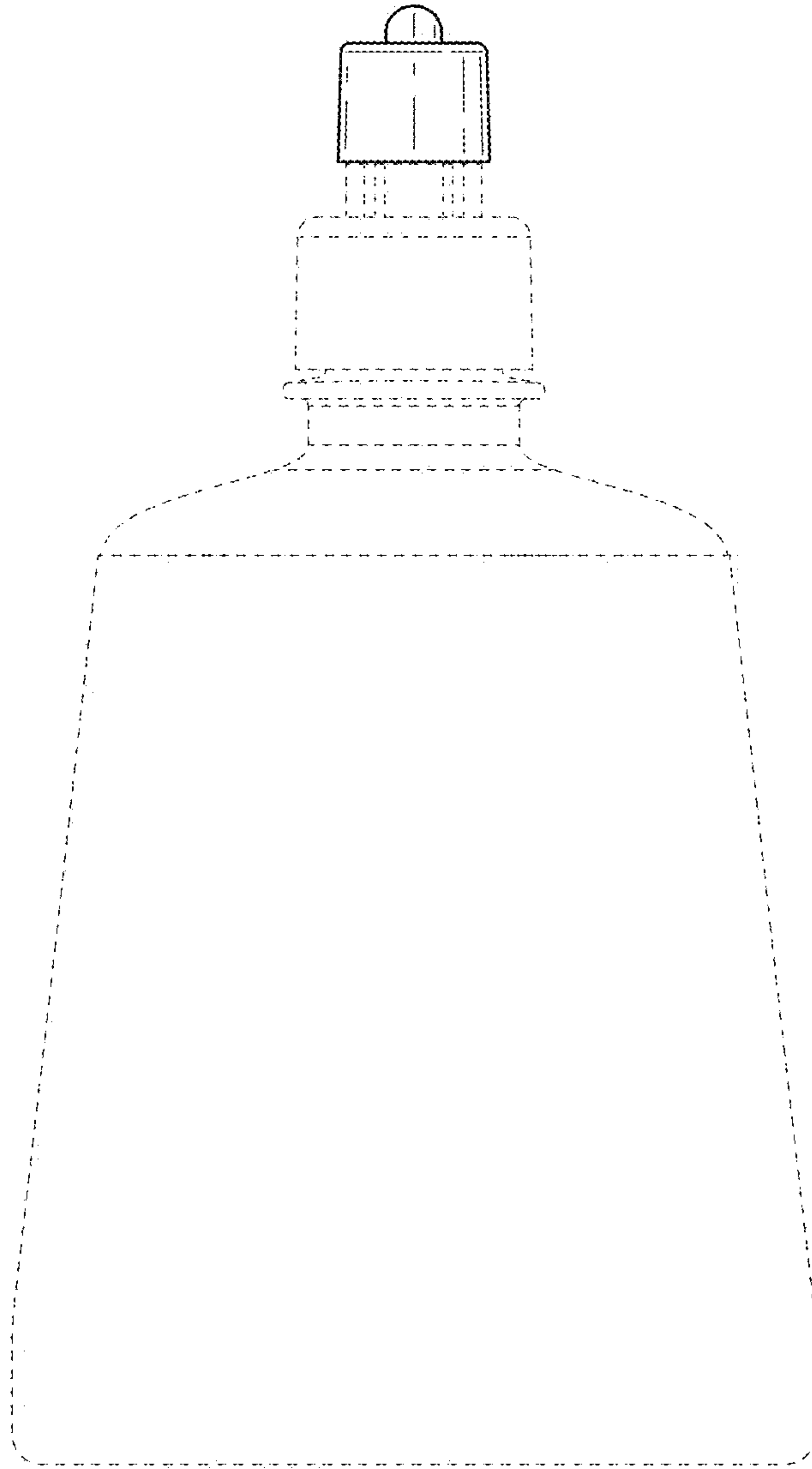


Fig. 3

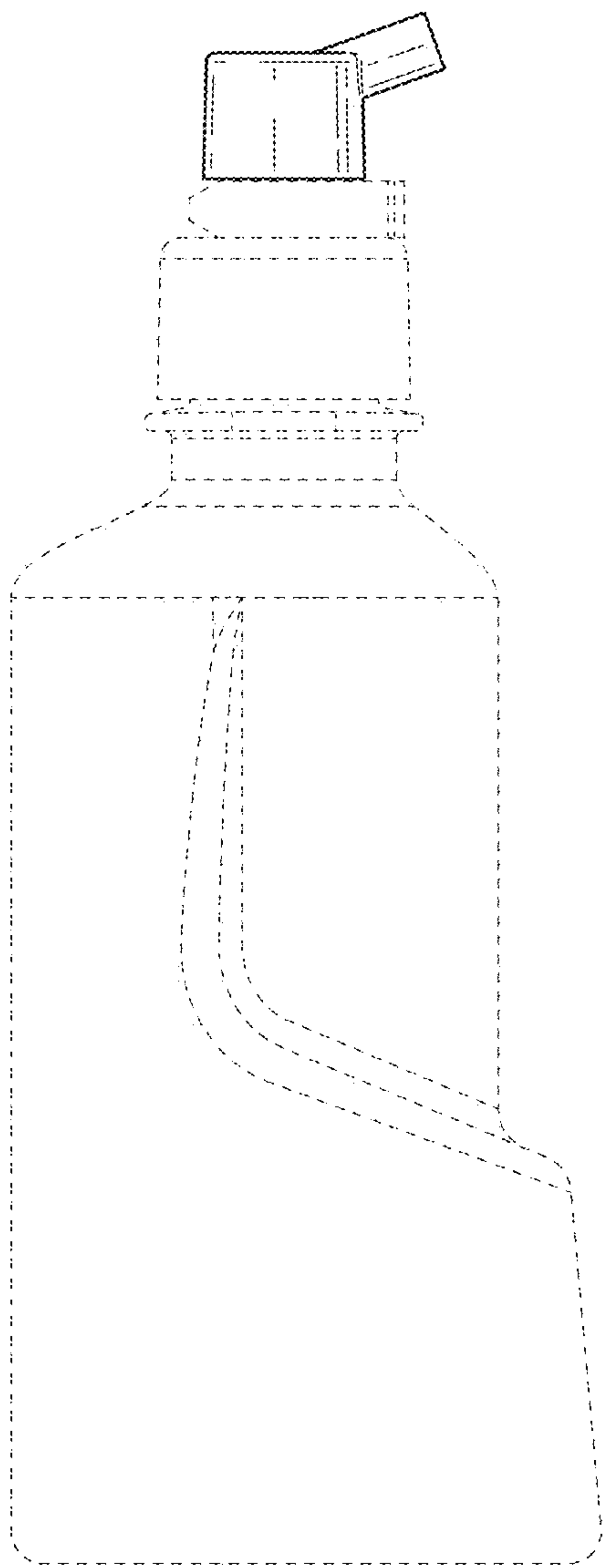


Fig. 4

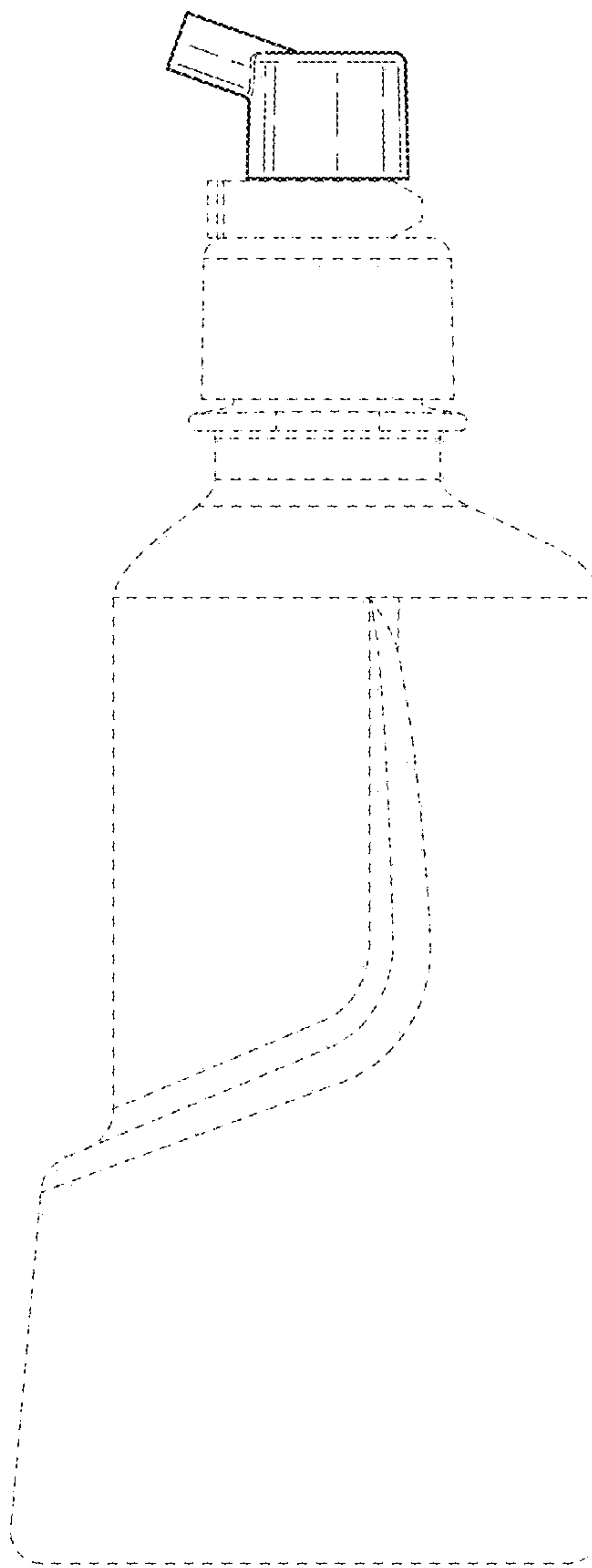


Fig. 5

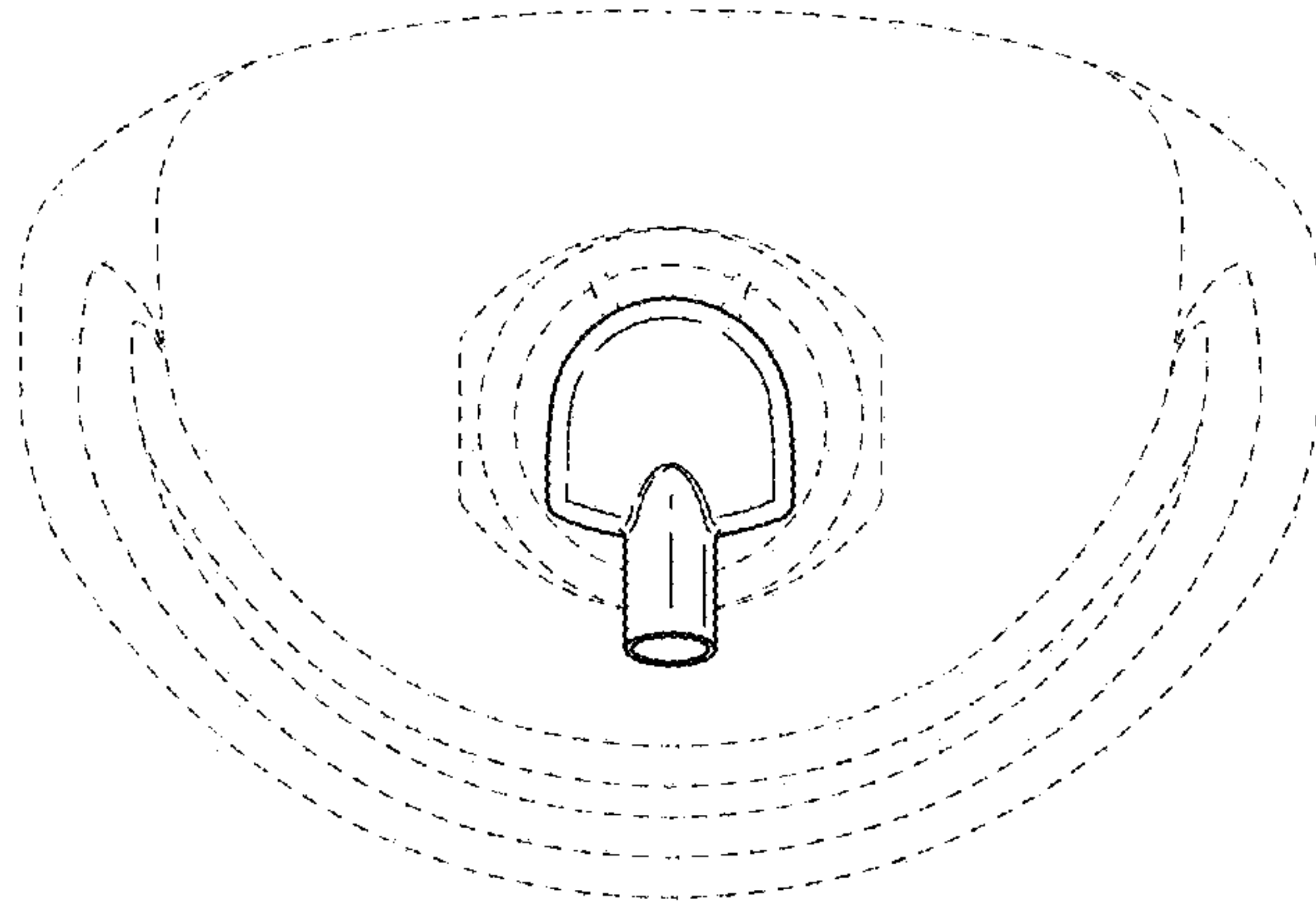


Fig. 6

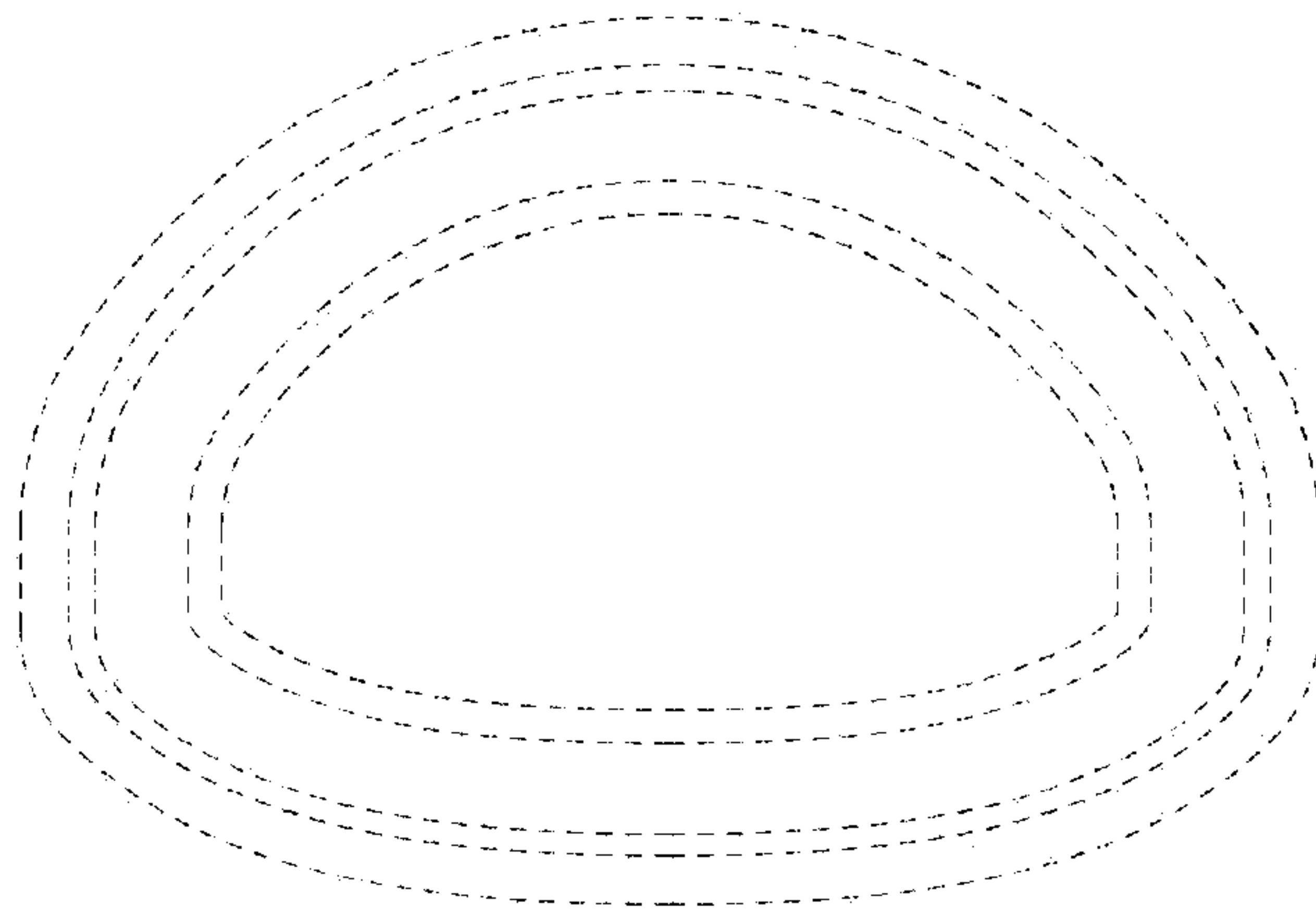


Fig. 7