



US0D1003103S

(12) **United States Design Patent** (10) **Patent No.:** **US D1,003,103 S**  
**Ding** (45) **Date of Patent:** **\*\* Oct. 31, 2023**

(54) **USB ELECTRIC COFFEE GRINDER**

(71) Applicant: **Yiwu Siwei Technology Co., Ltd.**,  
Zhejiang (CN)

(72) Inventor: **Changjiang Ding**, Zhejiang (CN)

(73) Assignee: **Yiwu Siwei Technology Co., Ltd.**,  
Zhejiang (CN)

(\*\*) Term: **15 Years**

(21) Appl. No.: **29/815,900**

(22) Filed: **Nov. 17, 2021**

(30) **Foreign Application Priority Data**

Jul. 3, 2021 (CN) ..... 202130419185.0

(51) **LOC (14) Cl.** ..... **31-00**

(52) **U.S. Cl.**  
USPC ..... **D7/373**

(58) **Field of Classification Search**

USPC ..... D7/368, 372, 373, 374, 375, 376, 377,  
D7/378, 379, 380, 381, 382, 383, 384,  
D7/385, 386, 412, 413, 414, 415, 669,  
D7/678, 679, 693, 694, 532, 591, 597;  
D8/35, 63, 91, 93, 42; D27/162;  
D9/504; D21/333

CPC .. A47J 42/00; A47J 42/04; A47J 42/06; A47J  
42/32; A47J 42/34; A47J 42/36; A47J  
43/04; A47J 43/044; A47J 43/046; A47J  
43/25; A47J 2043/04409; A47J  
2043/04427; A47J 2043/04436; A47J  
2043/04445; A47J 2043/04472; A47J  
2043/04481; A47J 2043/0449; A47J  
44/00; A47J 44/02; A47J 31/40; A47J  
42/08; A47J

(Continued)

(56) **References Cited**

**U.S. PATENT DOCUMENTS**

D484,371 S \* 12/2003 Tang ..... D7/679  
D563,153 S \* 3/2008 Bodum ..... D7/373  
D608,163 S \* 1/2010 Park ..... D7/597

(Continued)

**FOREIGN PATENT DOCUMENTS**

CN 307044139 \* 12/2021  
EM 008763395-0001 \* 11/2021

**OTHER PUBLICATIONS**

Junhcone Ceramic Burr Stainless Steel Acrylic Coffee Grinders,  
posted Mar. 12, 2023 [online], [retrieved Jul. 10, 2023]. Retrieved  
from internet, <https://www.amazon.com/Stainless-Grinders-Electric-Portable-Especially/dp/B0BY6ZGW7K> (Year: 2023).\*

(Continued)

*Primary Examiner* — Nicole C Shiflet

*Assistant Examiner* — Yen Le Southwood

(74) *Attorney, Agent, or Firm* — ScienBiziP, P.C.

(57) **CLAIM**

The ornamental design for a USB electric coffee grinder, as  
shown and described.

**DESCRIPTION**

FIG. 1 is a front, right, and top perspective view of a USB  
electric coffee grinder, showing my design.

FIG. 2 is a rear, left, and bottom perspective view thereof.

FIG. 3 is a front elevation view thereof.

FIG. 4 is a rear elevation view thereof.

FIG. 5 is a left side elevation view thereof.

FIG. 6 is a right side elevation view thereof.

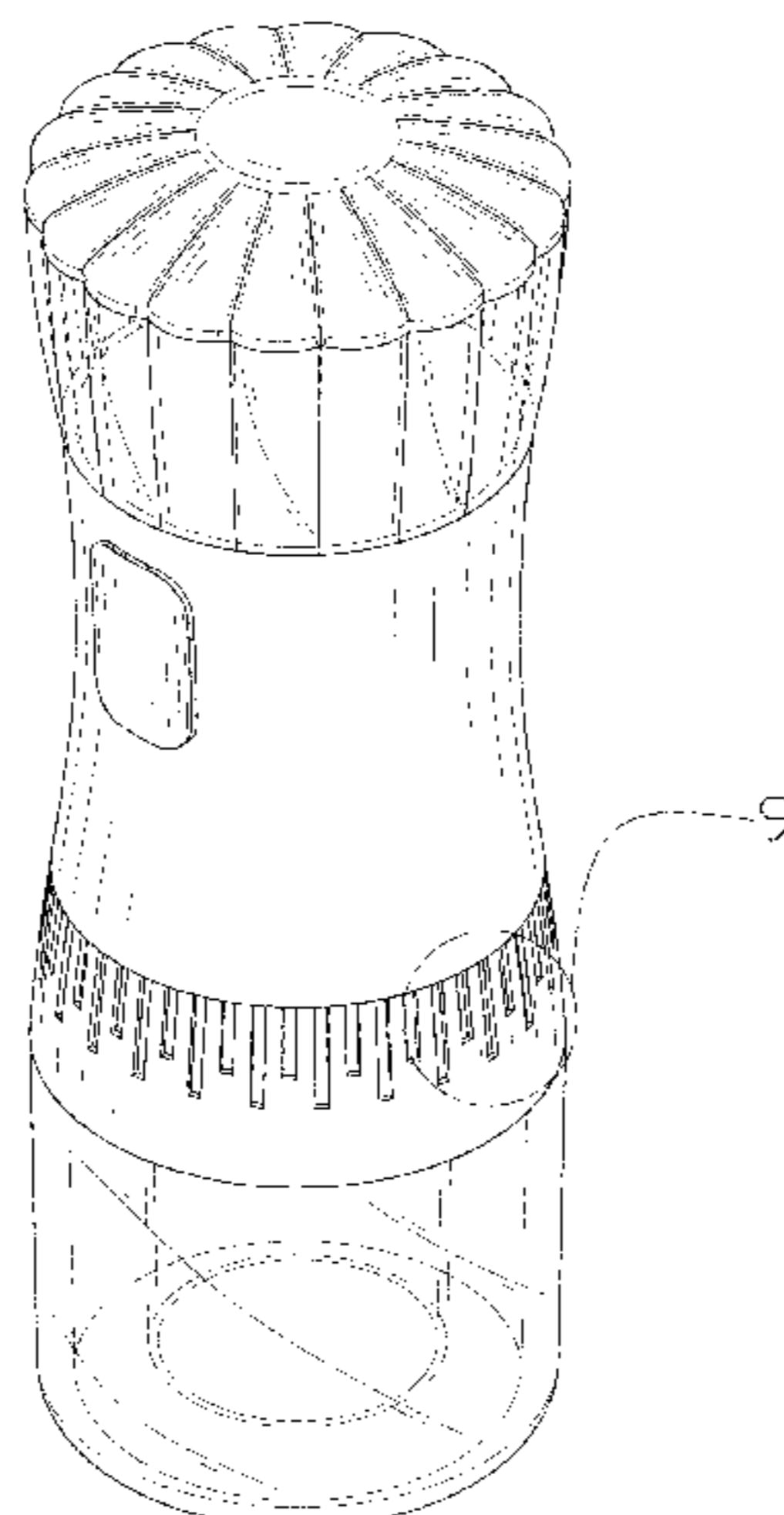
FIG. 7 is a top plan view thereof.

FIG. 8 is a bottom plan view thereof; and,

FIG. 9 is a partial enlarged view of an area labeled 9 in FIG.  
1 comprising a side wall.

The dot-dash broken lines depict the boundary of the  
enlarged views and form no part of the claimed design.

**1 Claim, 9 Drawing Sheets**



(58) **Field of Classification Search**

CPC ..... 42/38; F25C 5/043; F25C 5/046; G01F  
11/025; B01F 35/4521

See application file for complete search history.

2004/0065213 A1\* 4/2004 Cheng ..... A47J 42/38  
99/510  
2004/0182958 A1\* 9/2004 Herren ..... A47J 42/08  
241/169.1  
2015/0257598 A1\* 9/2015 Krus ..... A47J 42/08  
241/259  
2022/0175189 A1\* 6/2022 Davidson ..... A47J 42/04

(56) **References Cited**

U.S. PATENT DOCUMENTS

D616,261 S \* 5/2010 Lundstrom ..... D9/504  
D703,054 S \* 4/2014 DeMarco ..... D9/504  
D737,637 S \* 9/2015 Jossem ..... D7/679  
D766,655 S \* 9/2016 Neace, Jr. .... D7/532  
D858,178 S \* 9/2019 Kent ..... D7/693  
D907,705 S \* 1/2021 Soute ..... D21/333  
D913,757 S \* 3/2021 Brouillac ..... D7/679  
D944,612 S \* 3/2022 Brouillac ..... D8/42  
D971,680 S \* 12/2022 Yue ..... D7/591

OTHER PUBLICATIONS

Gefu Coffee Grinder, posted Mar. 8, 2022 [online], [retrieved Jul. 10, 2023]. Retrieved from internet, <https://www.amazon.se/-/en/GEFU-16333-POLVE-Coffee-Grinder/dp/B09V36DN2Q> (Year: 2022).\*

Ufanore Coffee Grinder, posted Aug. 1, 2022 [online], [retrieved Jul. 10, 2023]. Retrieved from internet, <https://www.amazon.ae/Ufanore-Rechargeable-Adjustable-Coarseness-Stainless/dp/B0B87WZPZW/> (Year: 2022).\*

\* cited by examiner

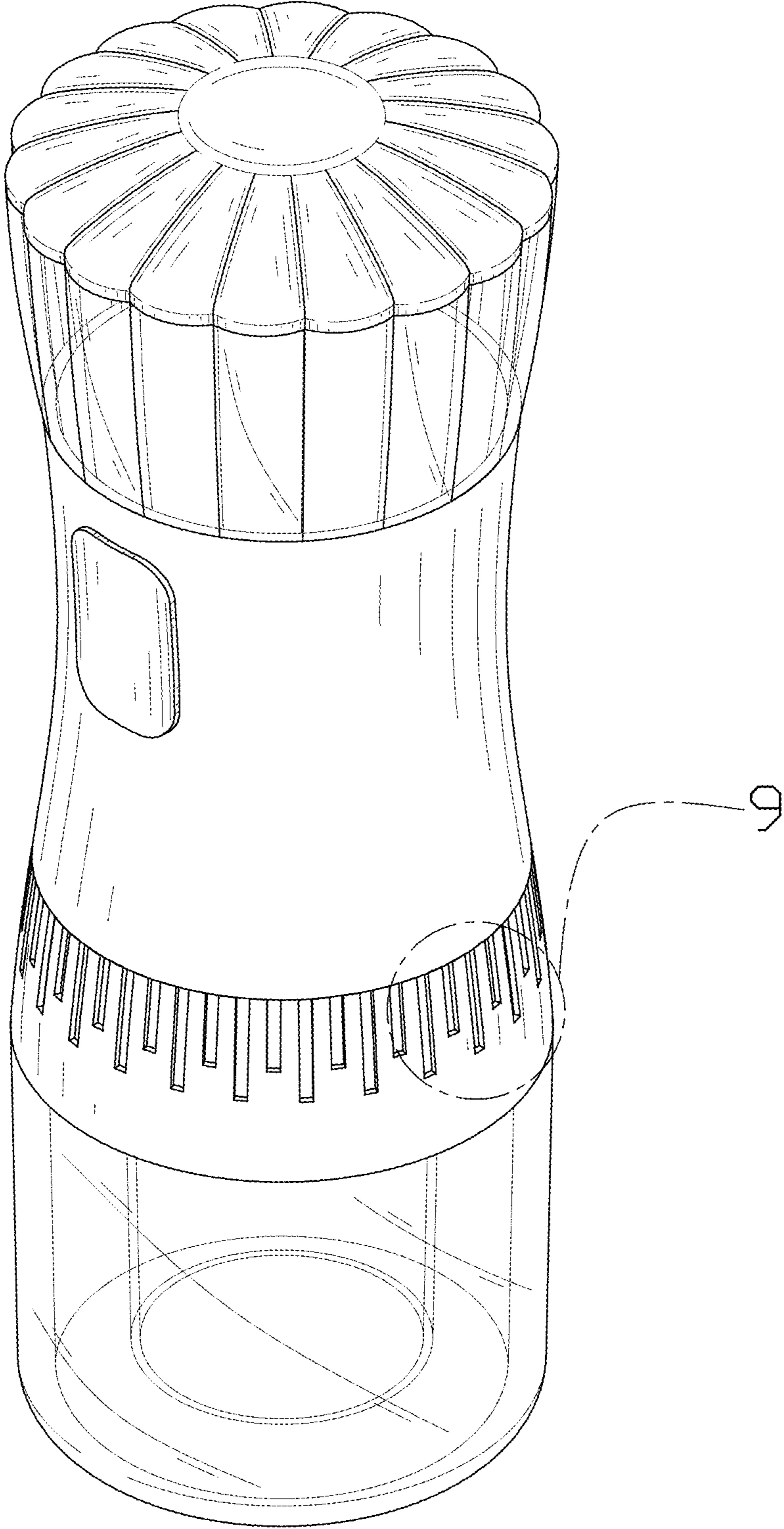


FIG. 1

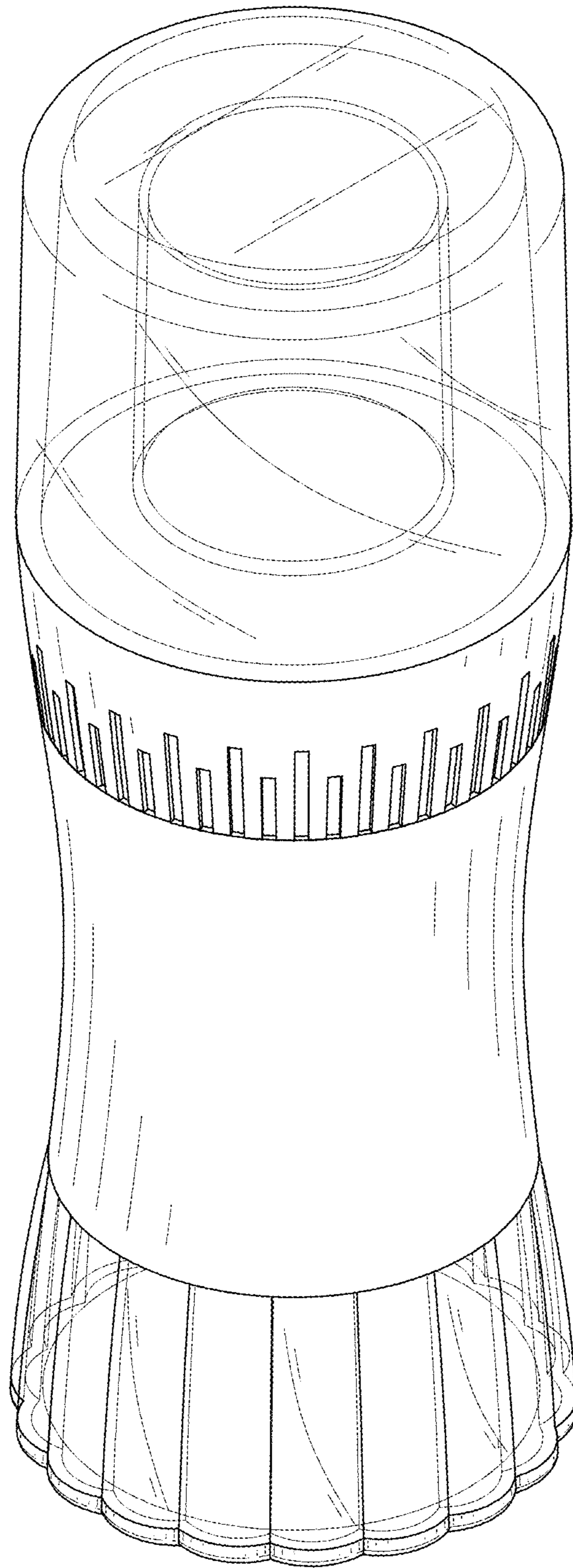


FIG. 2



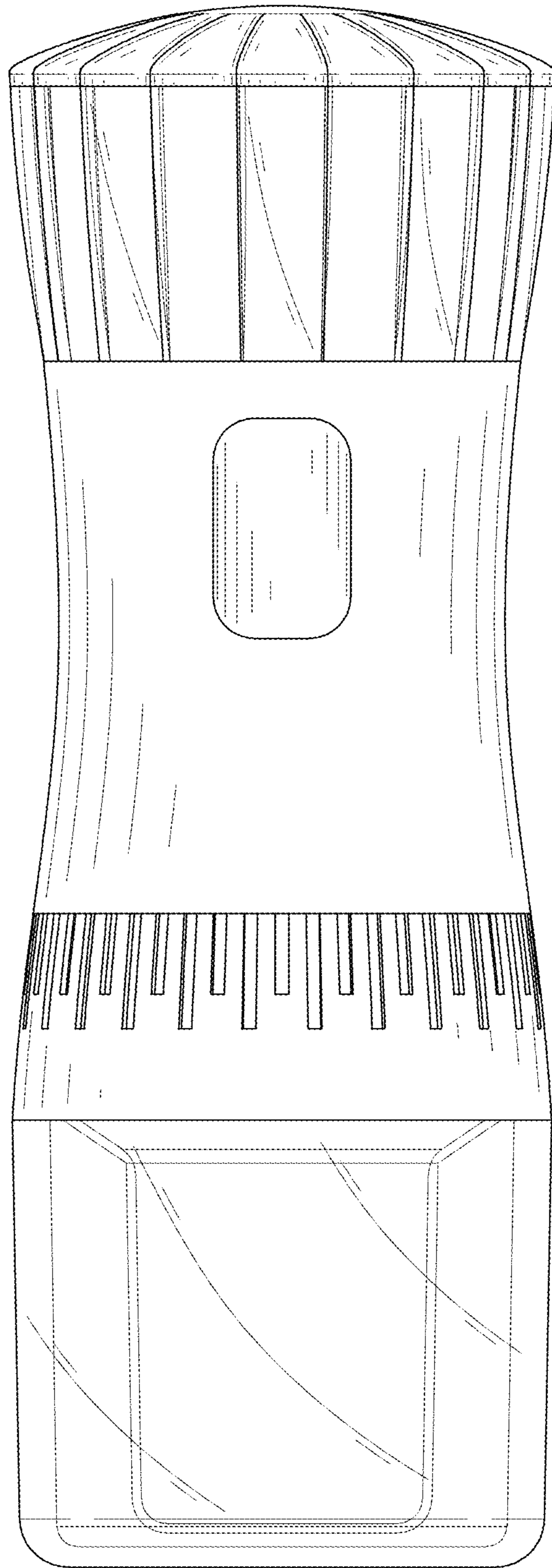


FIG. 3

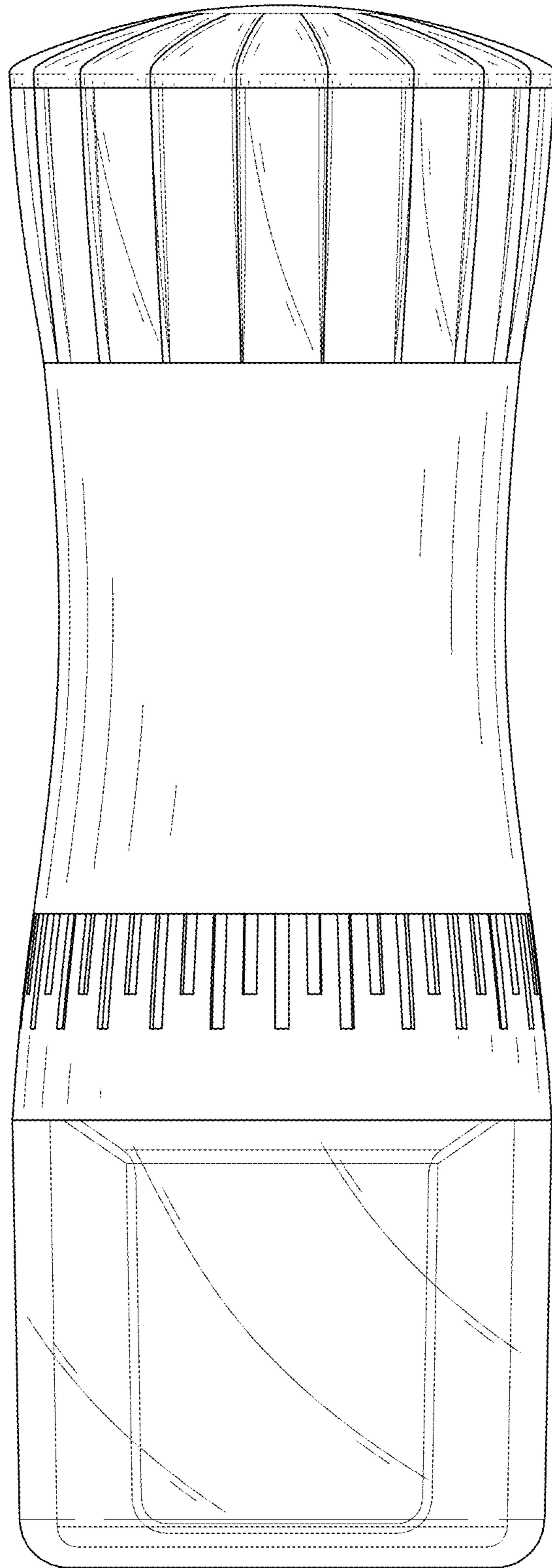


FIG. 4

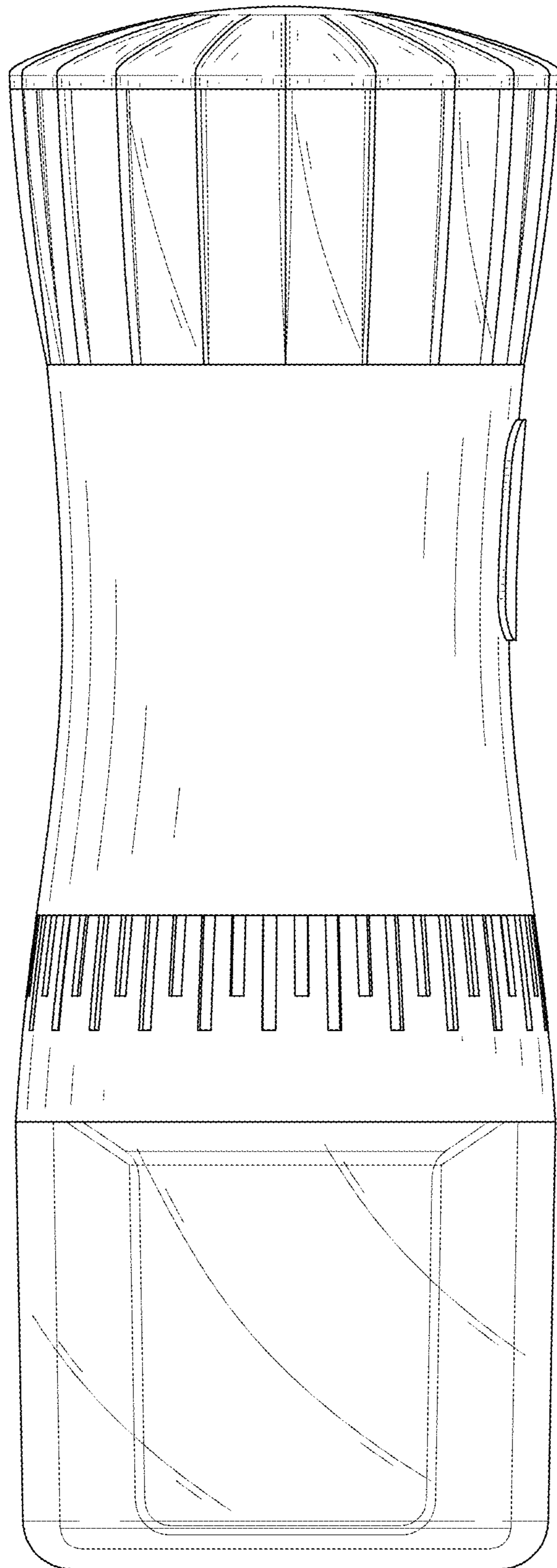


FIG. 5

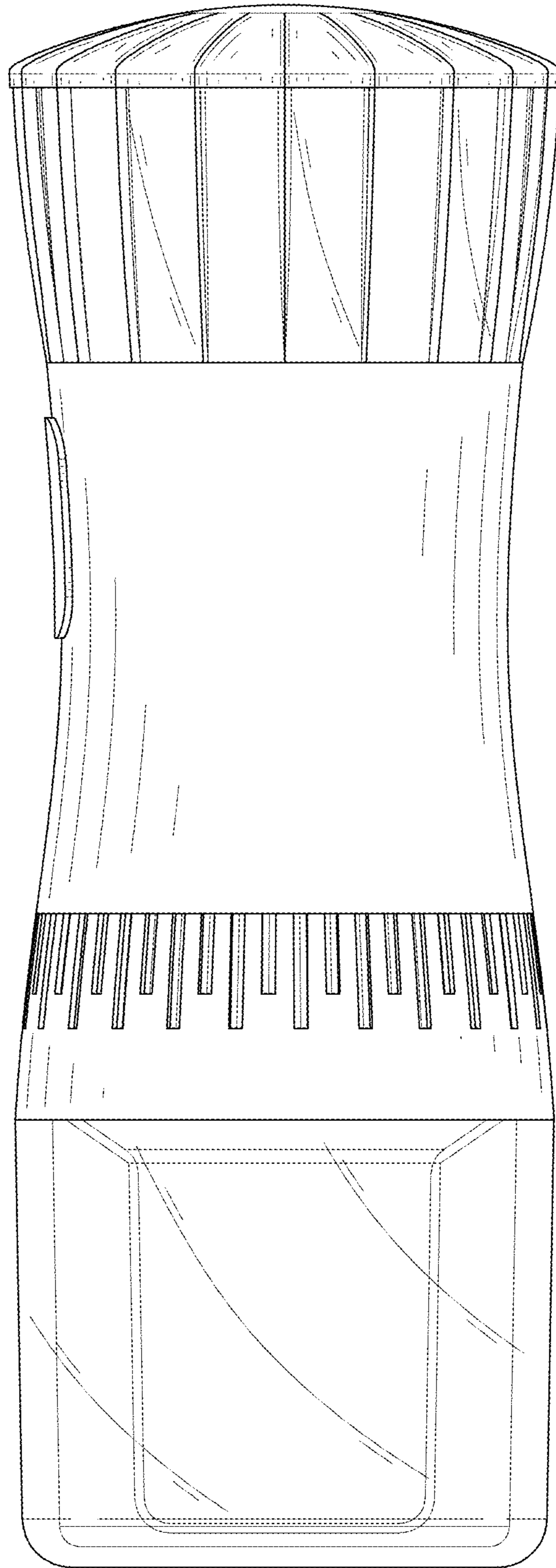


FIG. 6



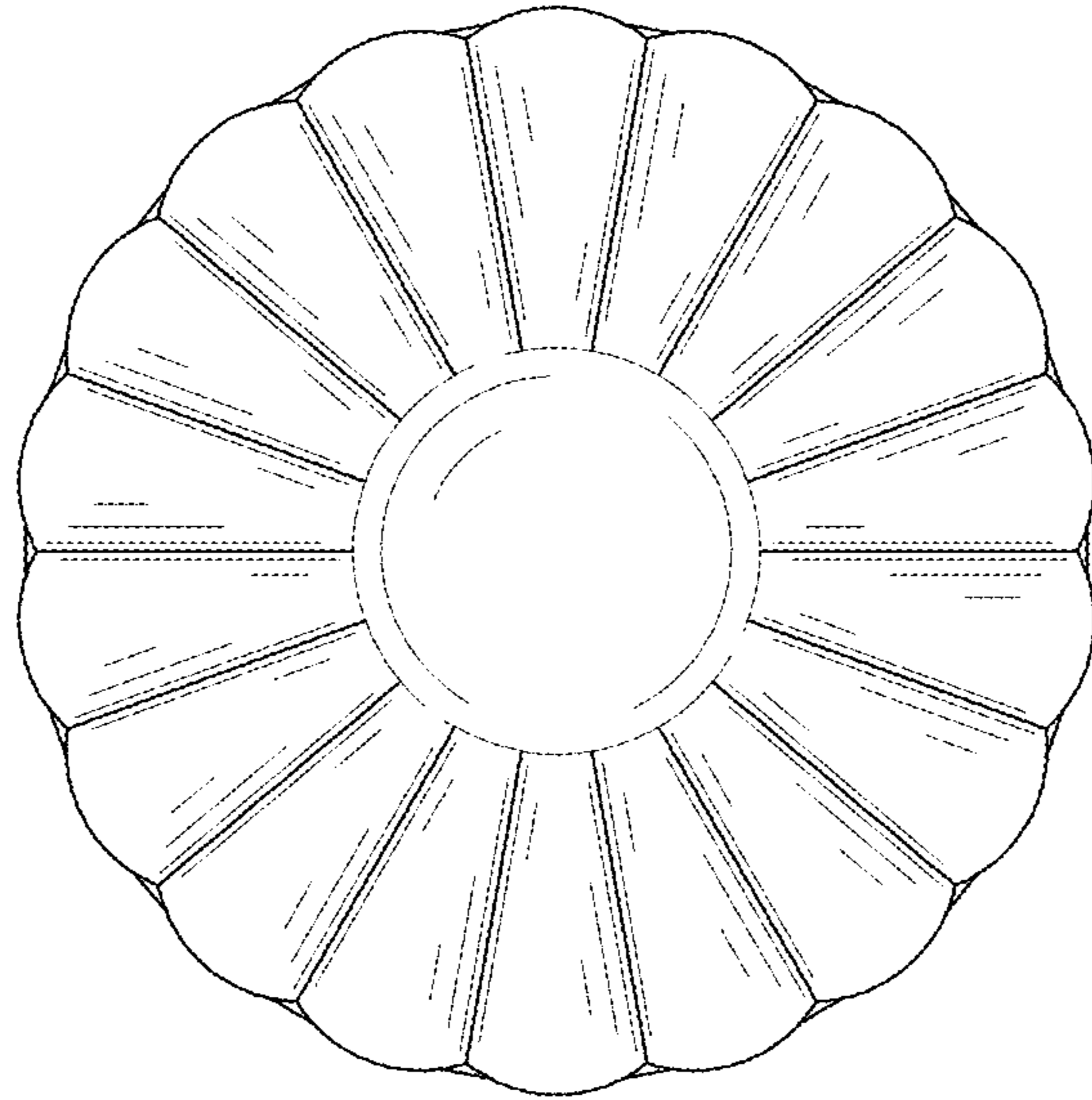


FIG. 7

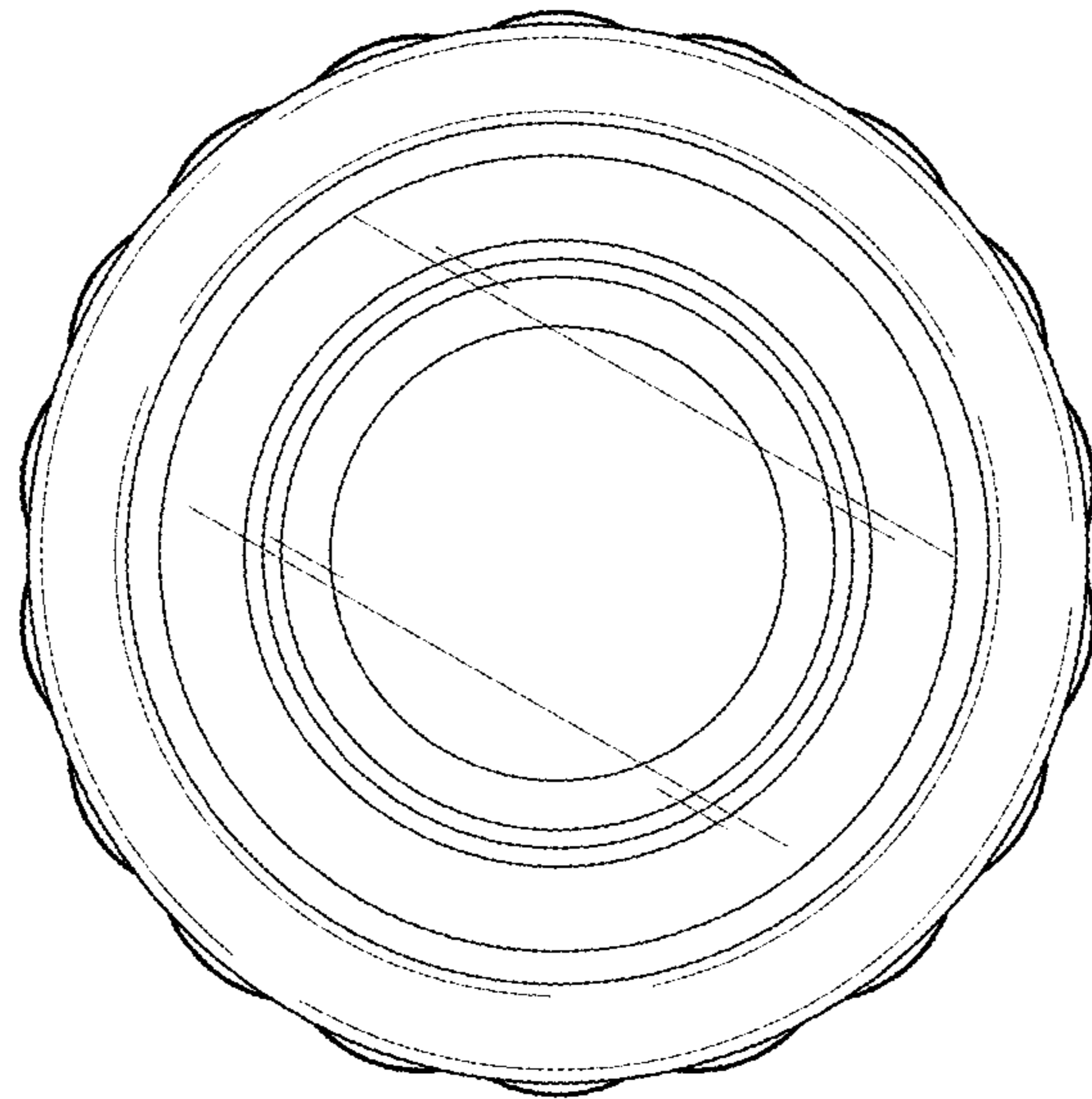


FIG. 8

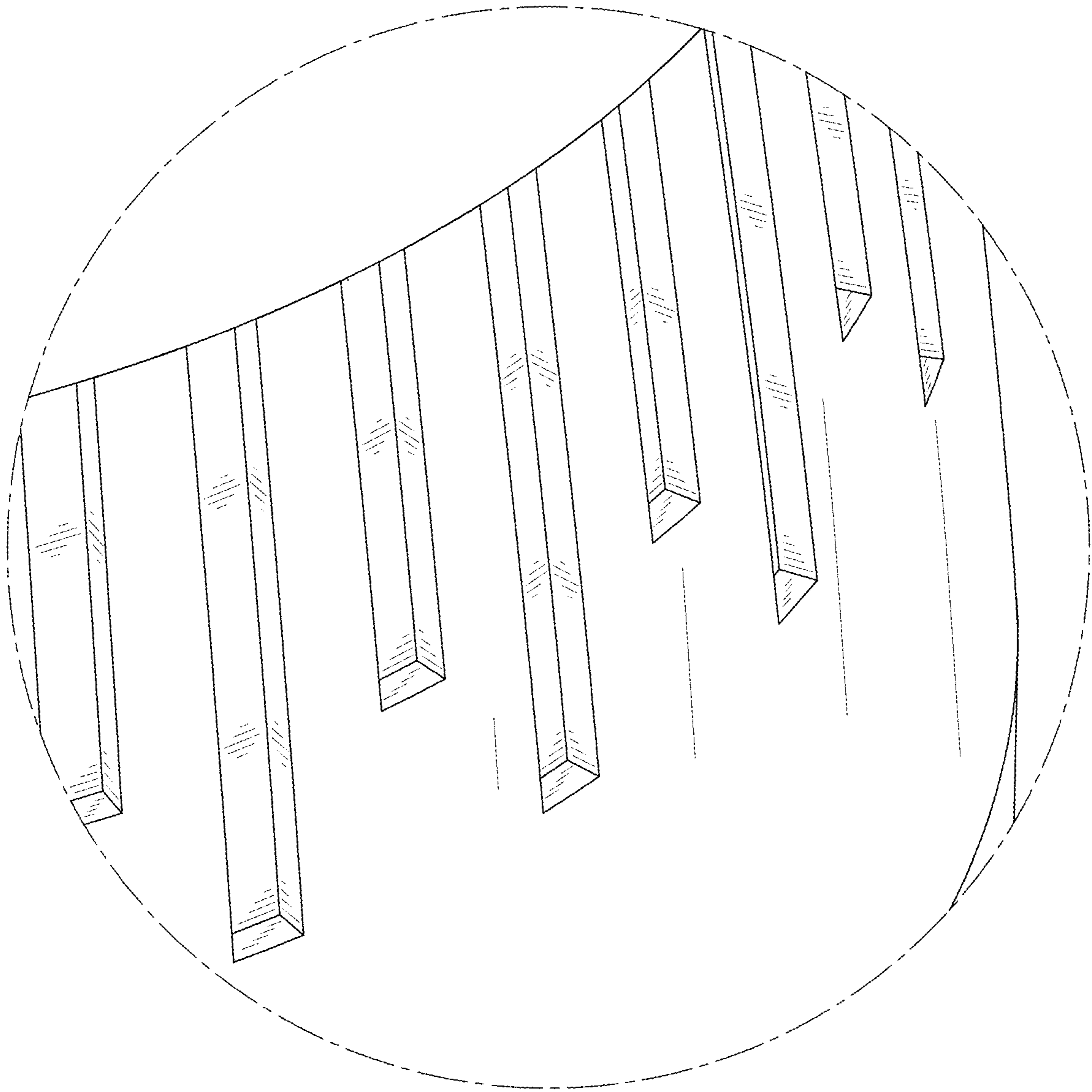


FIG. 9