



US0D1002733S

(12) **United States Design Patent** (10) **Patent No.:** **US D1,002,733 S**
Morales (45) **Date of Patent:** **** Oct. 24, 2023**

(54) **FIGHTING D-PAD ARCADE**

- (71) Applicant: **Jose Morales**, Beaverton, OR (US)
- (72) Inventor: **Jose Morales**, Beaverton, OR (US)
- (**) Term: **15 Years**
- (21) Appl. No.: **29/825,409**
- (22) Filed: **Feb. 1, 2022**
- (51) **LOC (14) Cl.** **21-01**
- (52) **U.S. Cl.**
USPC **D21/333; D14/413**
- (58) **Field of Classification Search**
USPC D21/324, 325, 330, 332, 333; D14/299,
D14/400, 412, 413, 415, 496, 502, 505,
D14/506; D13/168
CPC A63F 13/24; A63F 9/00; A63F 9/24; A63F
11/00; A63F 13/00; A63F 13/02; A63F
2300/00; G07F 17/00
See application file for complete search history.

(56) **References Cited**

U.S. PATENT DOCUMENTS

D297,952 S *	10/1988	Ishiwata	D14/413
4,870,389 A *	9/1989	Ishiwata	A63F 13/22 345/161
D307,921 S *	5/1990	Barr	D14/413
D318,074 S *	7/1991	Haung	D14/413
D351,430 S *	10/1994	Barr	D14/413
D351,870 S *	10/1994	Leung	D14/413
D372,941 S *	8/1996	Oikawa	D14/413
D387,094 S *	12/1997	Muraki	D14/400
D389,198 S *	1/1998	Hama	D14/413
D411,530 S *	6/1999	Carter	D14/413
D414,761 S *	10/1999	Oikawa	D14/413
D441,760 S *	5/2001	Hibino	D14/454
6,563,487 B2	5/2003	Martin		
D487,466 S *	3/2004	Yokota	D14/454
D706,268 S *	6/2014	Beams	D14/413
10,427,037 B2	10/2019	Strahle		
D905,163 S *	12/2020	Konishi	D21/333
D986,977 S *	5/2023	Larson	D14/413

OTHER PUBLICATIONS

“NihongoGamer” posted Jul. 2022[Online],[retrieved May 25, 2023]. Retrieved from Internet:<https://www.youtube.com/watch?v=fjyG6EjWUn0>.*
 Mixbox Black Edition, Retrieved from Internet, Retrieved on Nov. 12, 2021 <URL: <https://www.mixboxarcade.com/products/mixbox-controller-black-ps4-pro-ps4-ps3-pc>>.
 Ion Go Pad Folding Computer Game Controller, Retrieved from Internet, Retrieved on Nov. 12, 2021 <URL: <https://www.walmart.com/ip/ION-GO-PAD-Folding-Computer-Game-Controller/21189131>>.
 PXN 0082 Arcade Fight Stick, Retrieved from Internet, Retrieved on Nov. 12, 2021 <URL: <https://www.amazon.com/PXN-Arcade-Street-Fighter-Switch/dp/B07XFM6QJJ>>.

* cited by examiner

Primary Examiner — Mehri F Bajoul

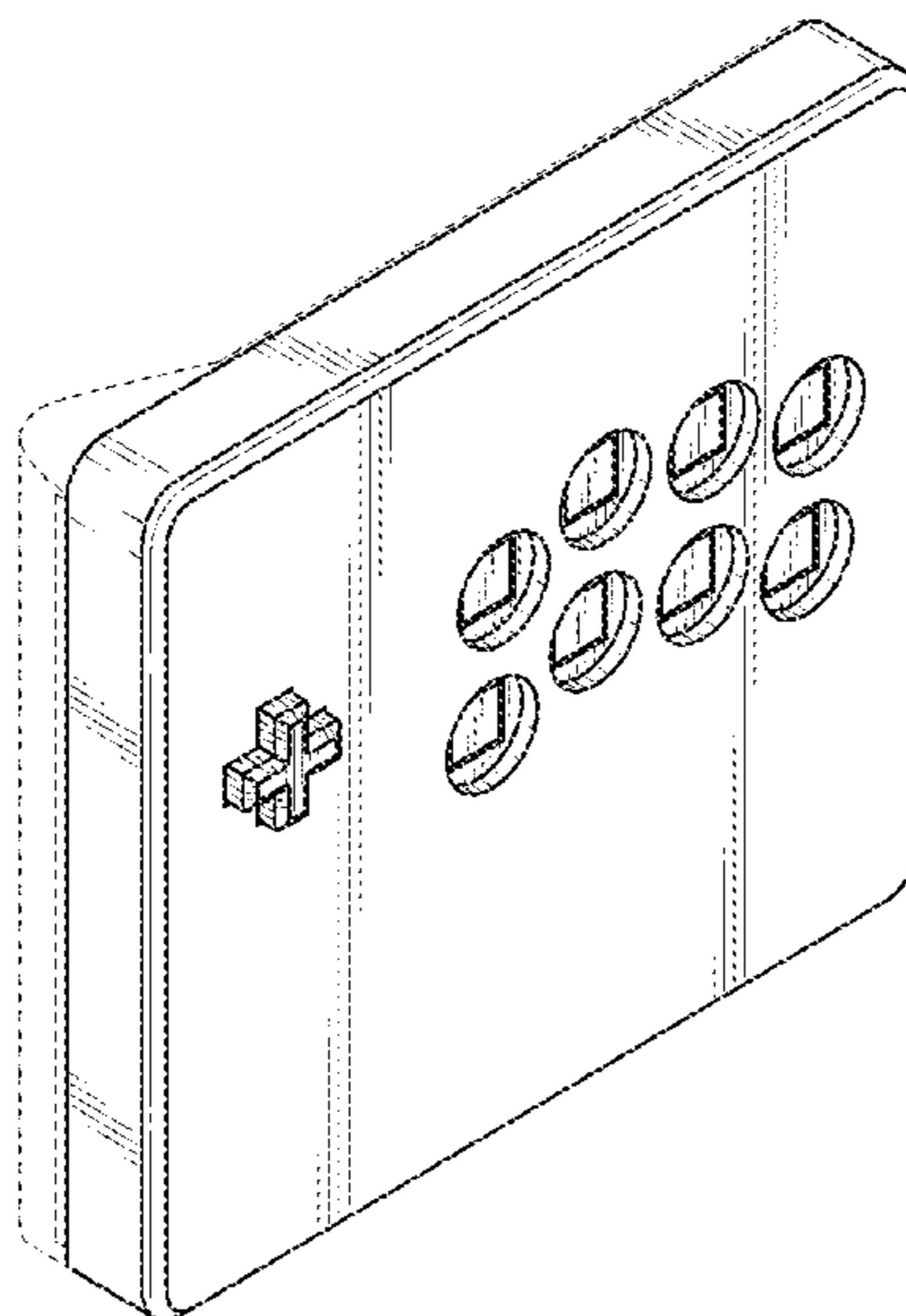
(57) **CLAIM**

The ornamental design for a fighting D-pad arcade, as shown and described.

DESCRIPTION

FIG. 1 is a top front perspective view of a fighting D-pad arcade showing my new design;
 FIG. 2 is a bottom rear perspective view thereof;
 FIG. 3 is a front elevational view thereof;
 FIG. 4 is a back elevational view thereof;
 FIG. 5 is a top plan view thereof;
 FIG. 6 is a bottom plan view thereof;
 FIG. 7 is a left elevational view thereof;
 FIG. 8 is a right elevational view thereof;
 FIG. 9 is a top front perspective view thereof;
 FIG. 10 is a front elevational view thereof; and,
 FIG. 11 is a top plan view thereof.
 The broken line showing the back panel and angled grip is included for the purpose of illustrating environmental structure and forms no part of the claimed design.

1 Claim, 11 Drawing Sheets



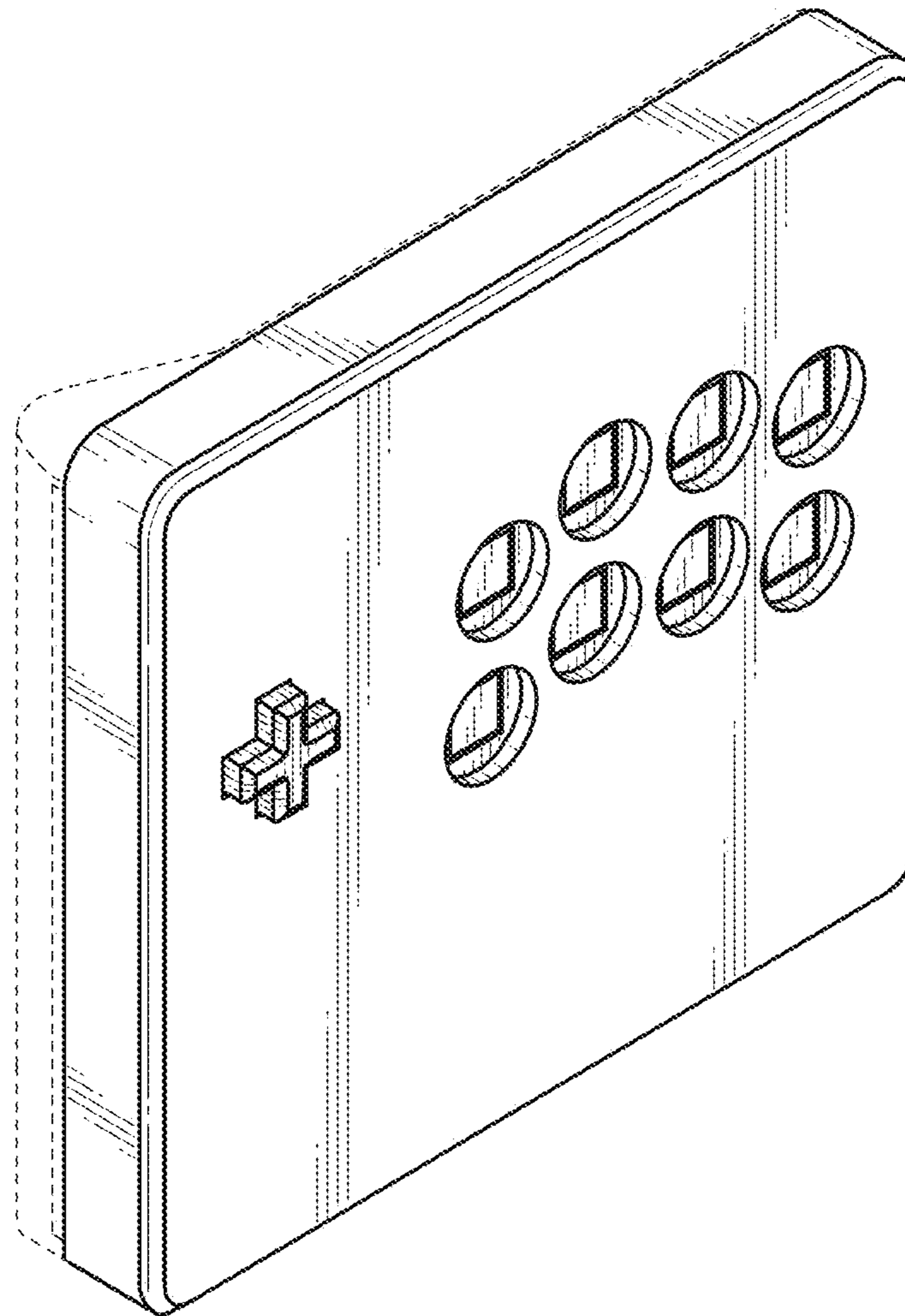


FIG. 1

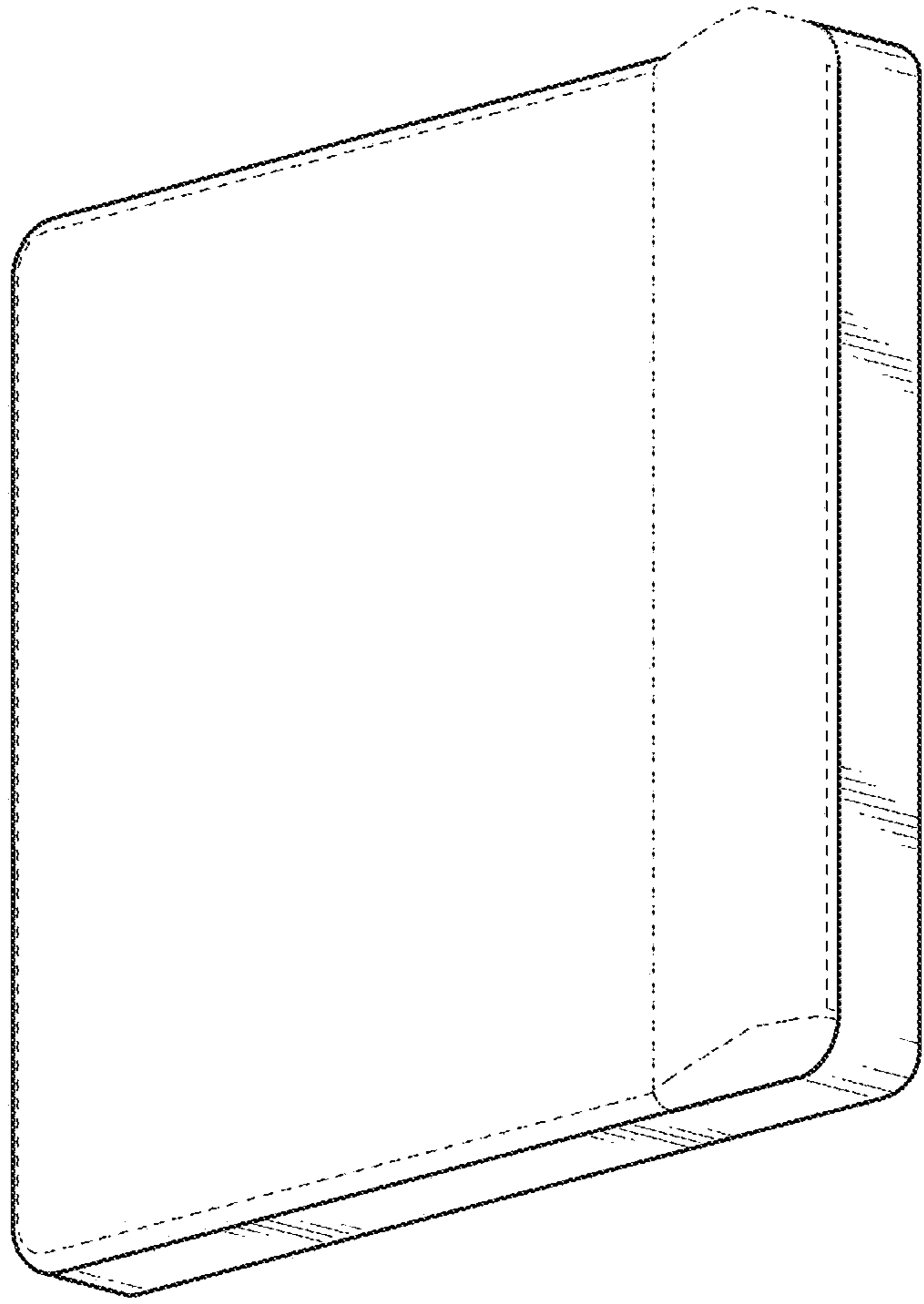


FIG. 2

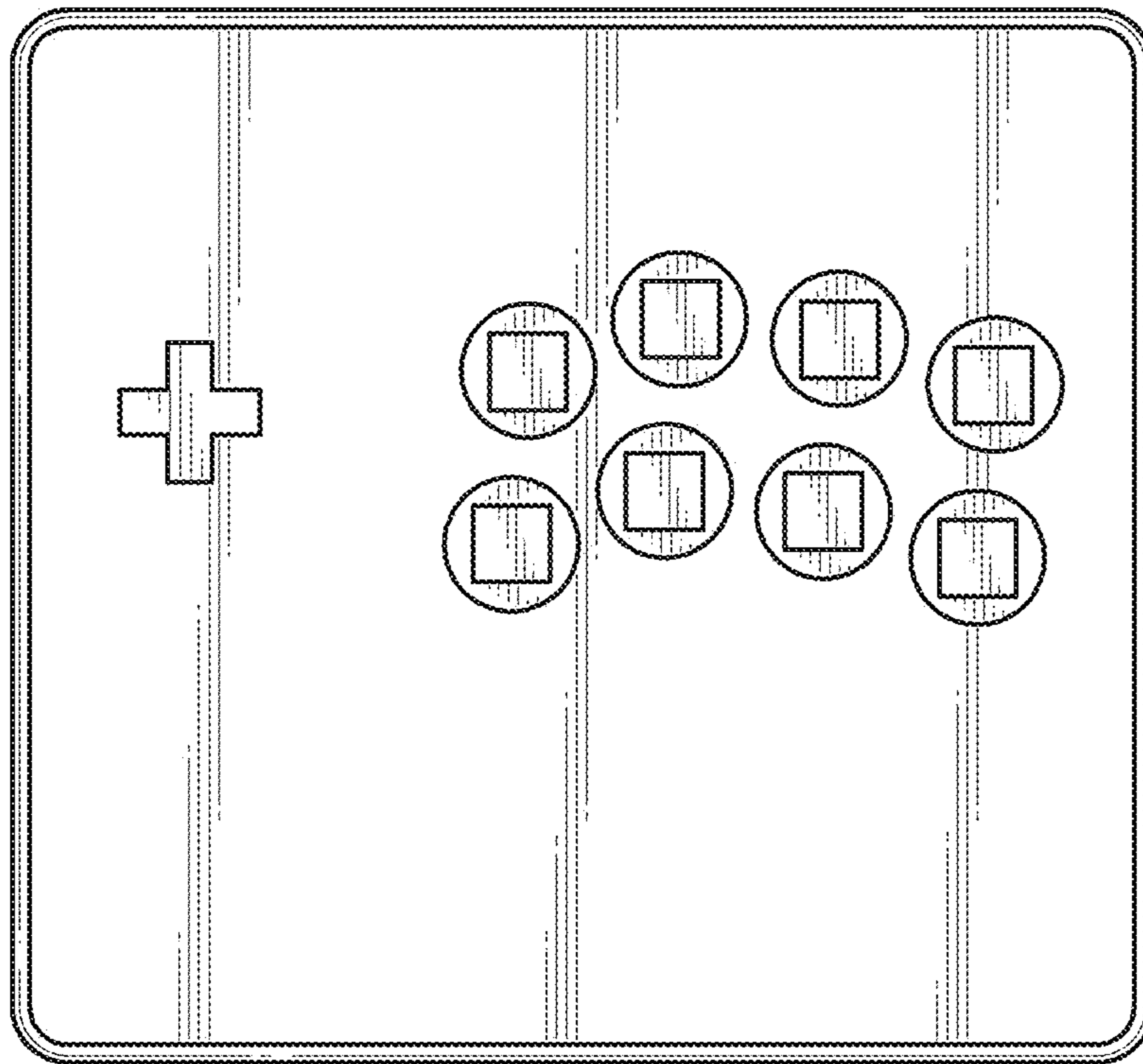


FIG. 3

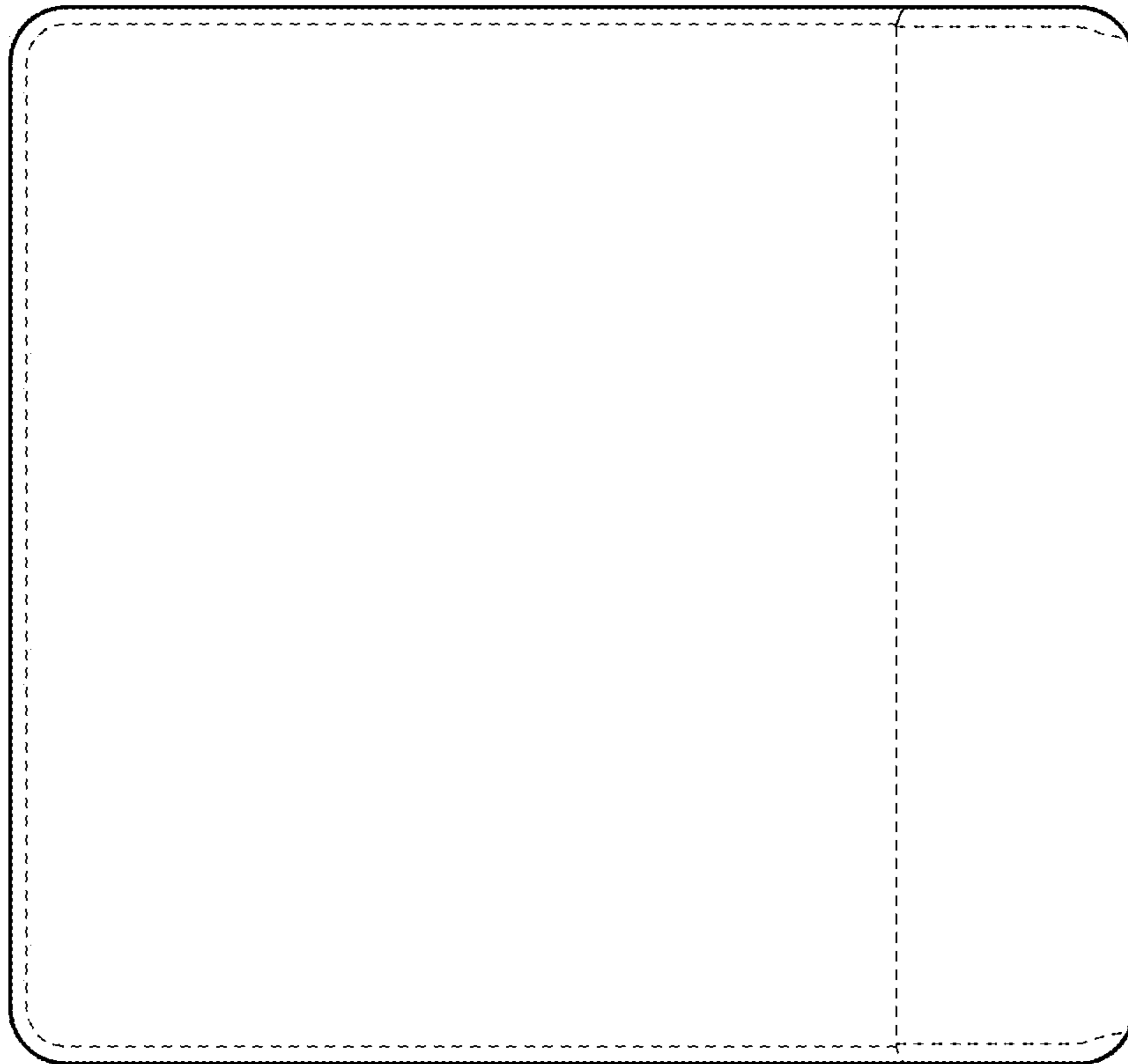


FIG. 4

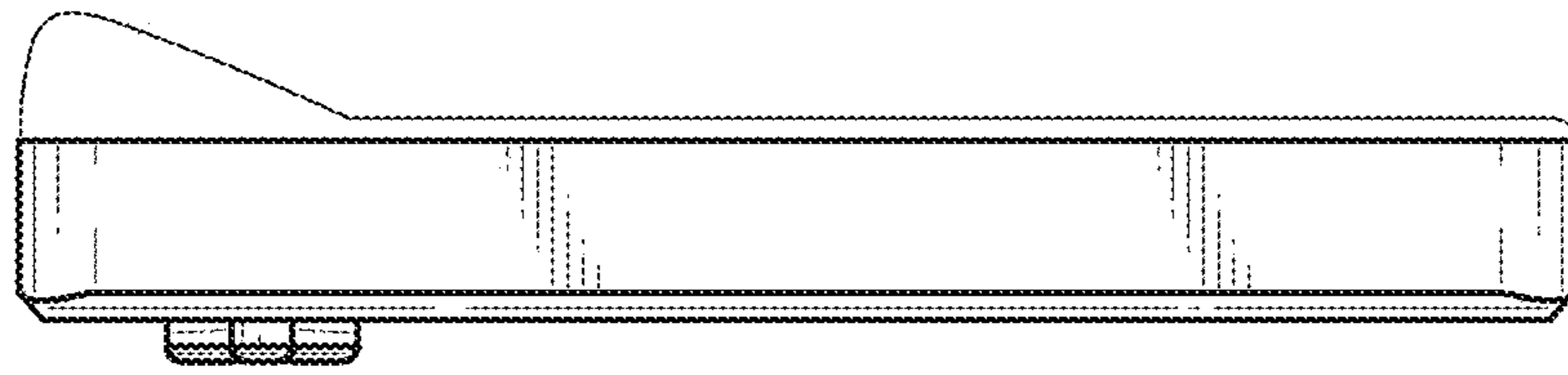


FIG. 5

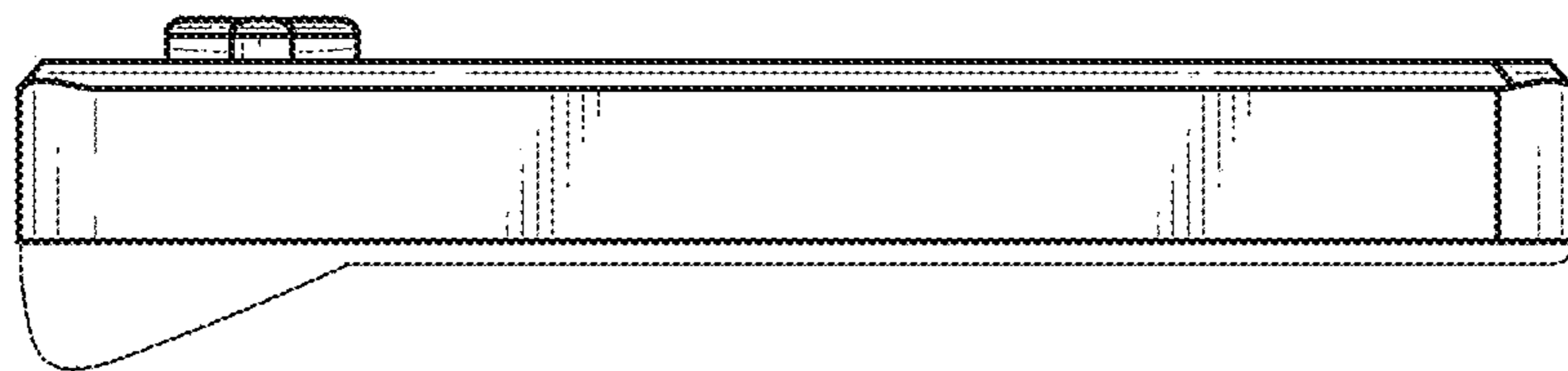


FIG. 6

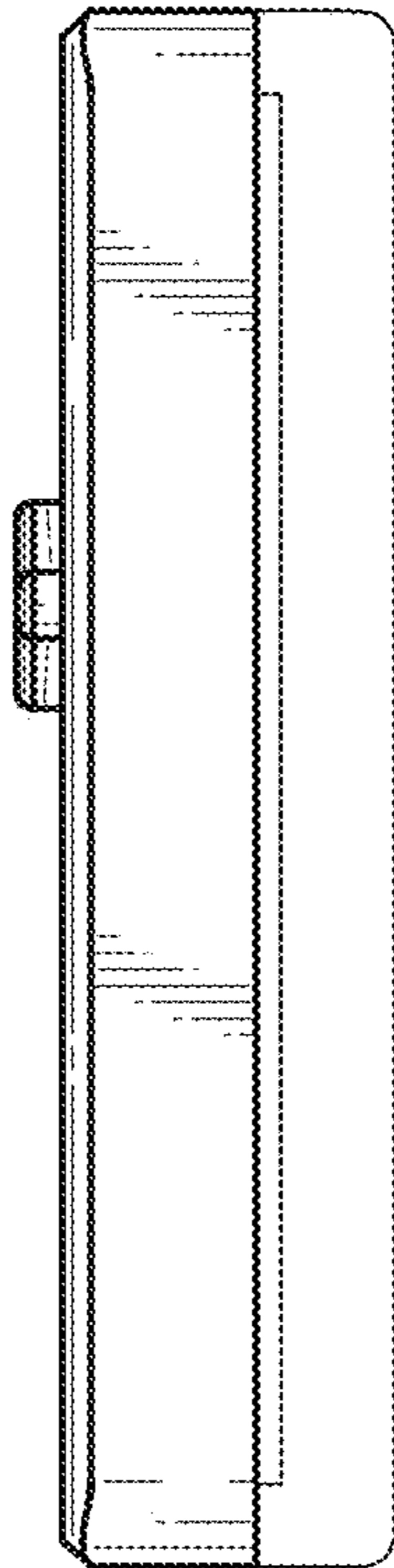


FIG. 7

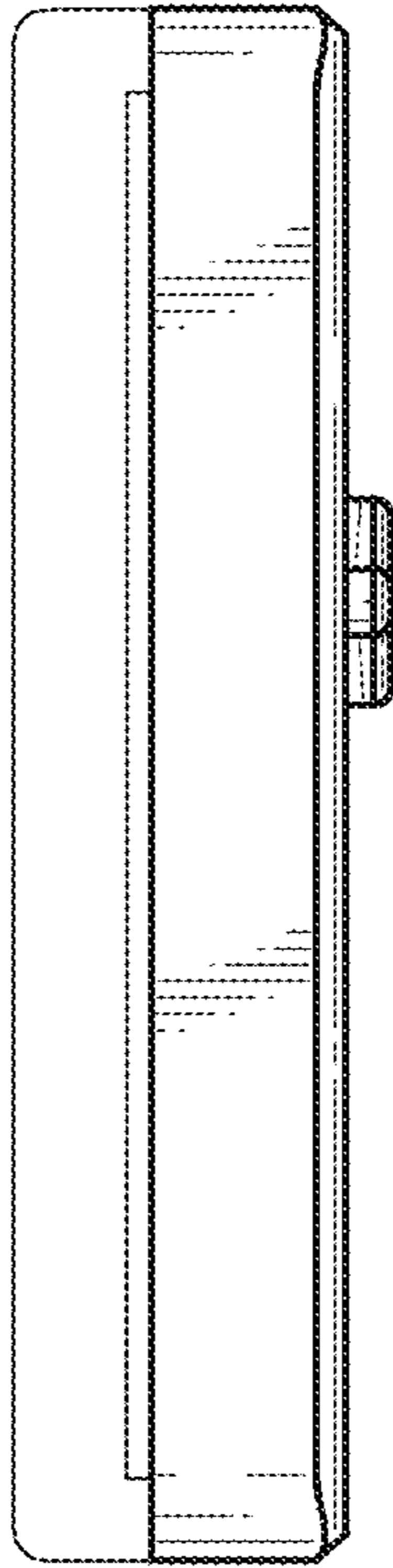


FIG. 8

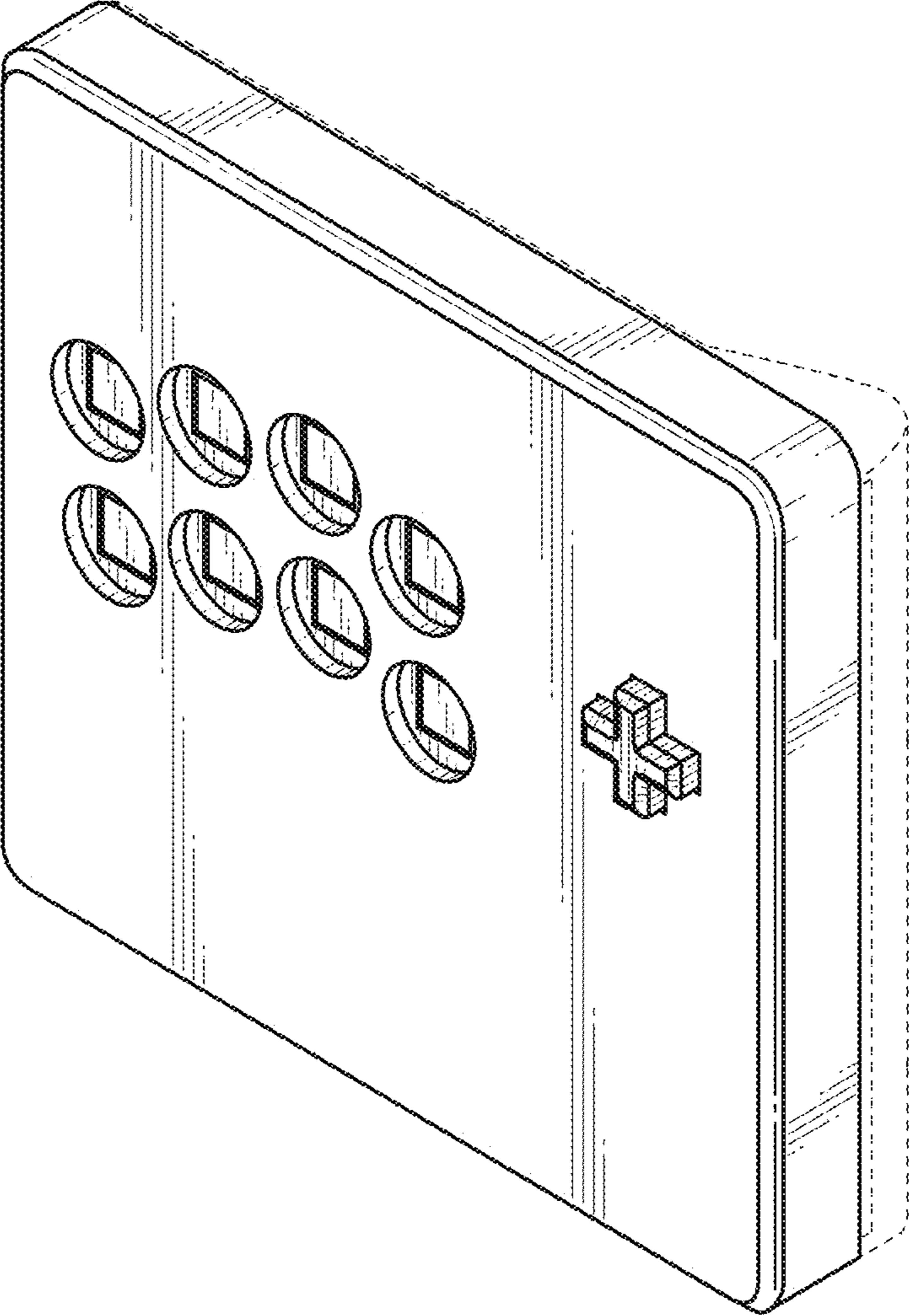


FIG. 9

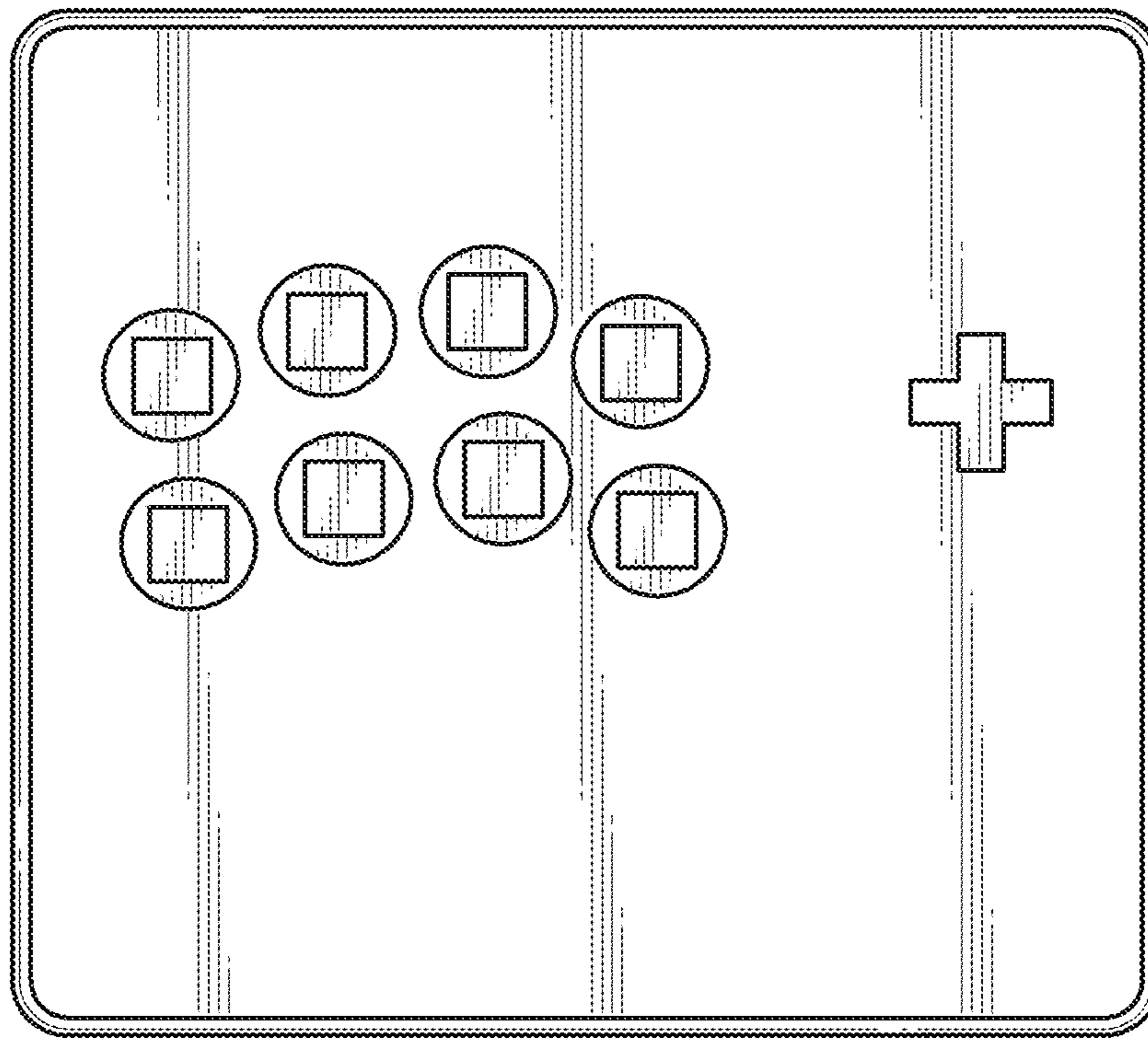


FIG. 10

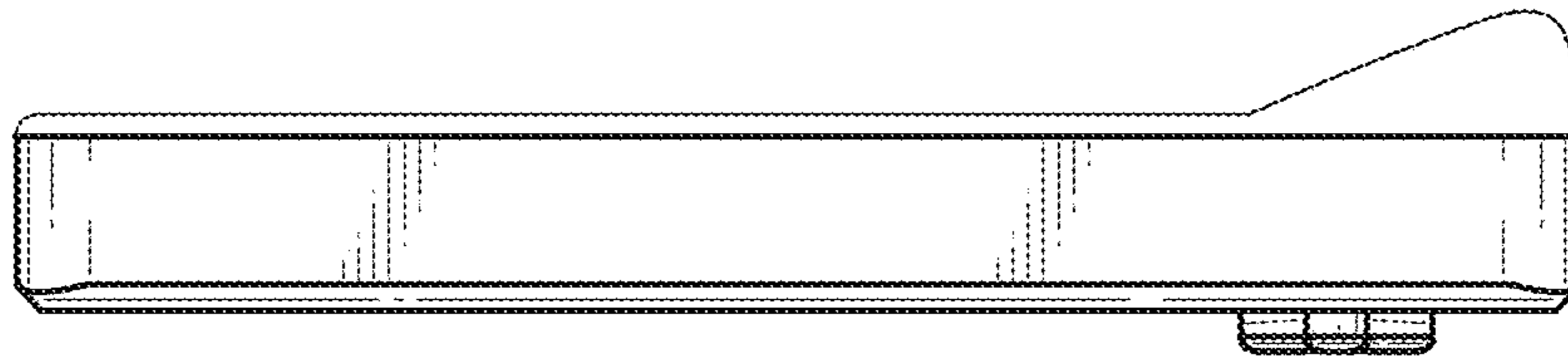


FIG. 11