



US0D1002437S

(12) **United States Design Patent**  
**Little et al.**

(10) **Patent No.:** **US D1,002,437 S**

(45) **Date of Patent:** **\*\* Oct. 24, 2023**

(54) **TRAILER MOUNTED SOLAR POWERED  
WORK LIGHTING SYSTEM**

(71) Applicant: **SEI Logistics Ltd., Merritt (CA)**

(72) Inventors: **Eric Little, Merritt (CA); Chace  
Barber, Merritt (CA)**

(73) Assignee: **SEI LOGISTICS LTD., Merritt (CA)**

(\*\*) Term: **15 Years**

(21) Appl. No.: **29/823,129**

(22) Filed: **Jan. 14, 2022**

(51) **LOC (14) Cl.** ..... **12-16**

(52) **U.S. Cl.**  
USPC ..... **D12/101**

(58) **Field of Classification Search**  
USPC ..... D12/19, 129, 100-106, 111-112;  
D21/425, 435; D34/21-26, 12, 16-19  
CPC .. B62D 35/00; B62D 33/077; B62D 33/0612;  
B62D 24/04; B60P 3/10; B60P 3/1033;  
B60P 3/0257; B60P 3/38; B60P 3/34;  
E01F 15/14

See application file for complete search history.

(56) **References Cited**

**U.S. PATENT DOCUMENTS**

8,733,963	B2	5/2014	Sharpley	
8,833,985	B2	9/2014	Robertson	
9,810,387	B2	11/2017	Knodel	
RE46,645	E *	12/2017	Oren	D12/101
D830,235	S *	10/2018	Warren	D12/101
D838,211	S *	1/2019	Crabb	D12/101

D845,176	S *	4/2019	McElwain	D12/101
D864,032	S *	10/2019	Bernard	D12/101
D869,993	S *	12/2019	Sagen	D12/101
D926,635	S *	8/2021	Lee	D12/101
D928,665	S *	8/2021	Williams	D12/101
D933,533	S *	10/2021	Etzelsberger	D12/101
D938,310	S *	12/2021	Yoder	D12/101
D945,932	S *	3/2022	Jungers	D12/101
D949,745	S *	4/2022	Bradshaw	D12/101

**FOREIGN PATENT DOCUMENTS**

WO WO2010084212 A1 7/2010

\* cited by examiner

*Primary Examiner* — Katrina A Betton

(57) **CLAIM**

The ornamental design for a trailer mounted solar powered work lighting system, as shown and described.

**DESCRIPTION**

FIG. 1 is a top front perspective view of a trailer mounted solar powered work lighting system showing my new design;

FIG. 2 is a front elevational view thereof;

FIG. 3 is a rear elevational view thereof;

FIG. 4 is a left elevational view thereof;

FIG. 5 is a right elevational view thereof;

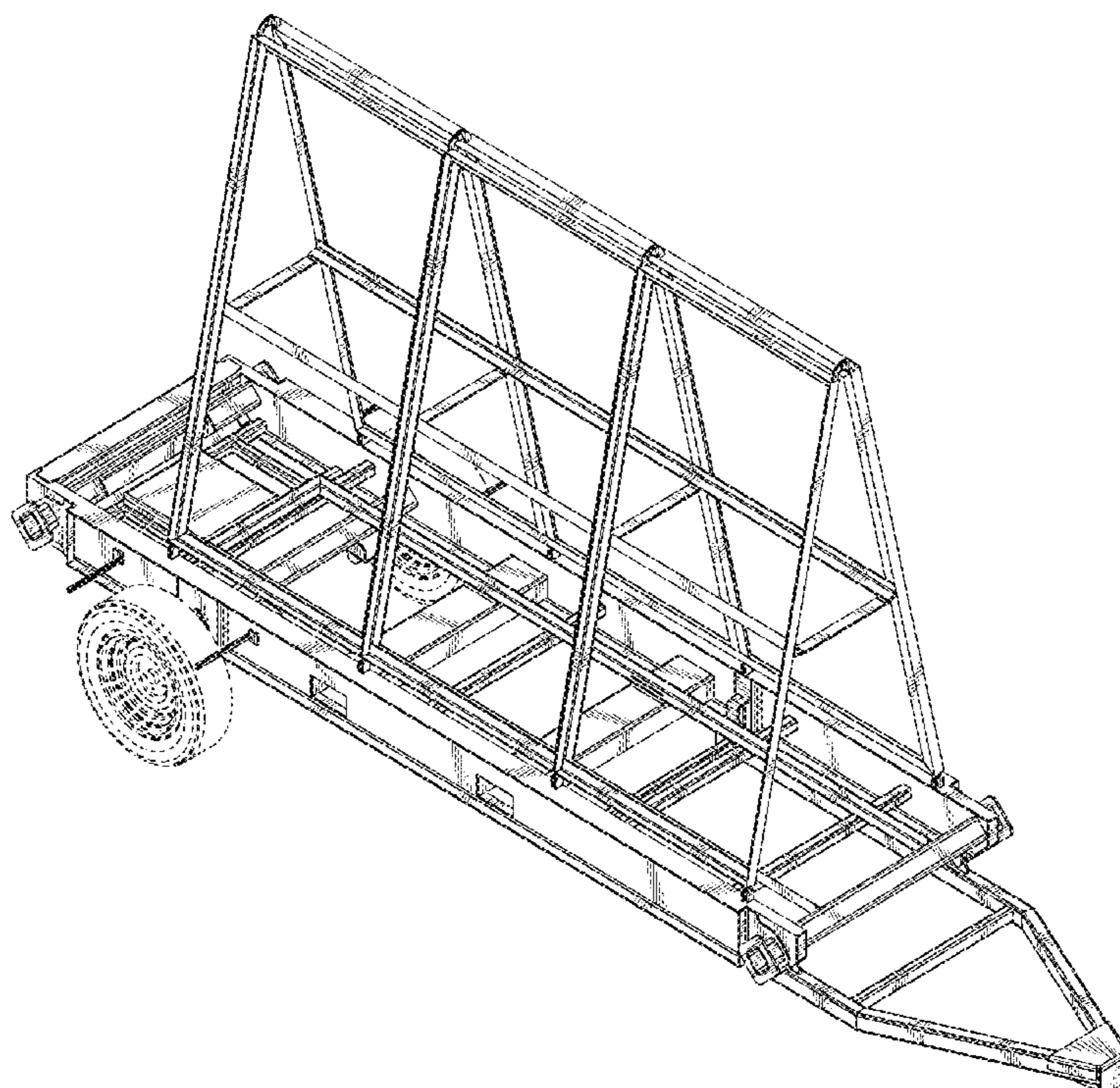
FIG. 6 is a bottom plan view thereof;

FIG. 7 is a top plan view thereof; and,

FIG. 8 is a bottom front perspective view thereof.

The broken line showing trailer wheels is included for the purpose of illustrating environmental structure and forms no part of the claimed design.

**1 Claim, 8 Drawing Sheets**



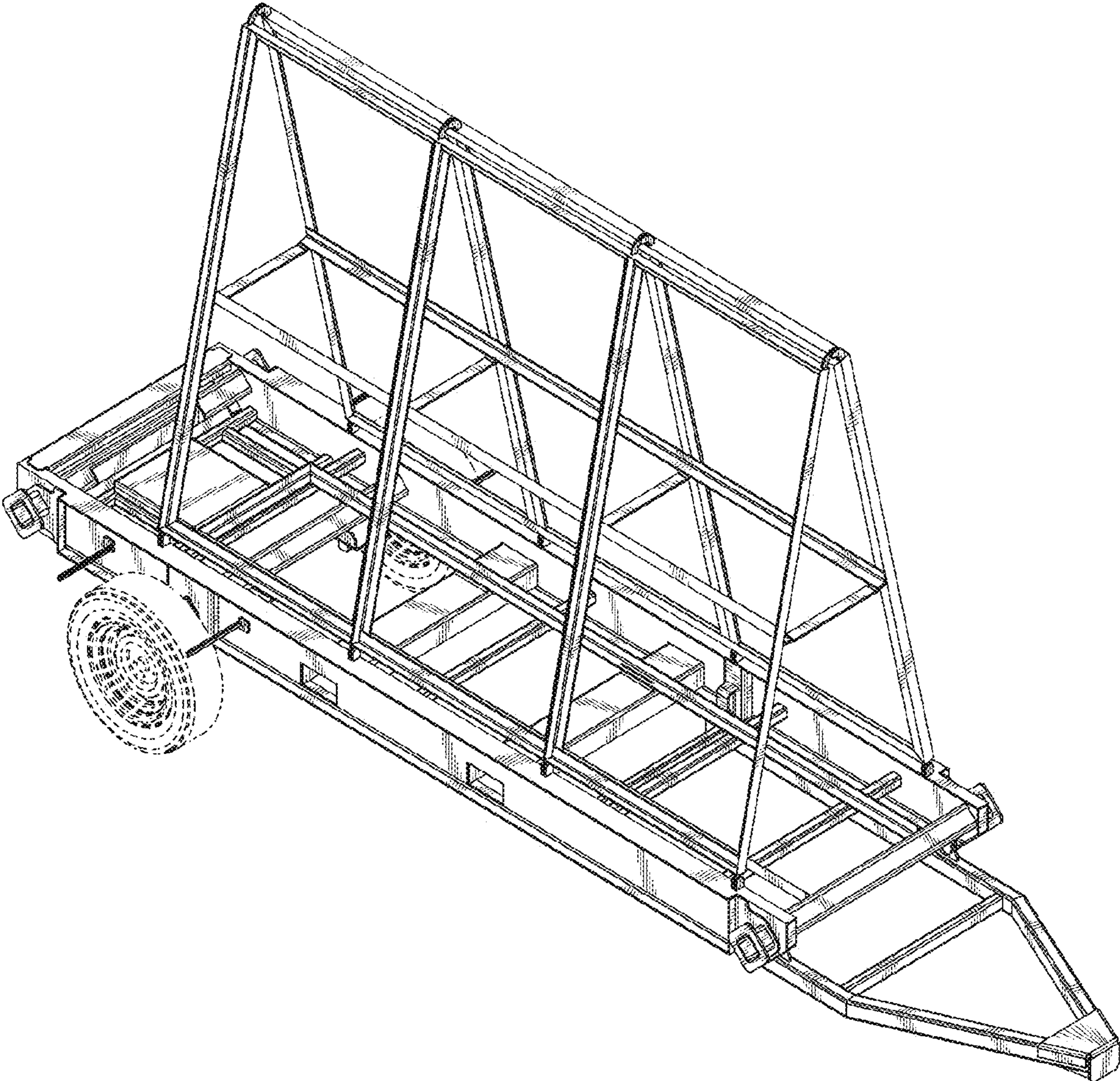


FIG. 1

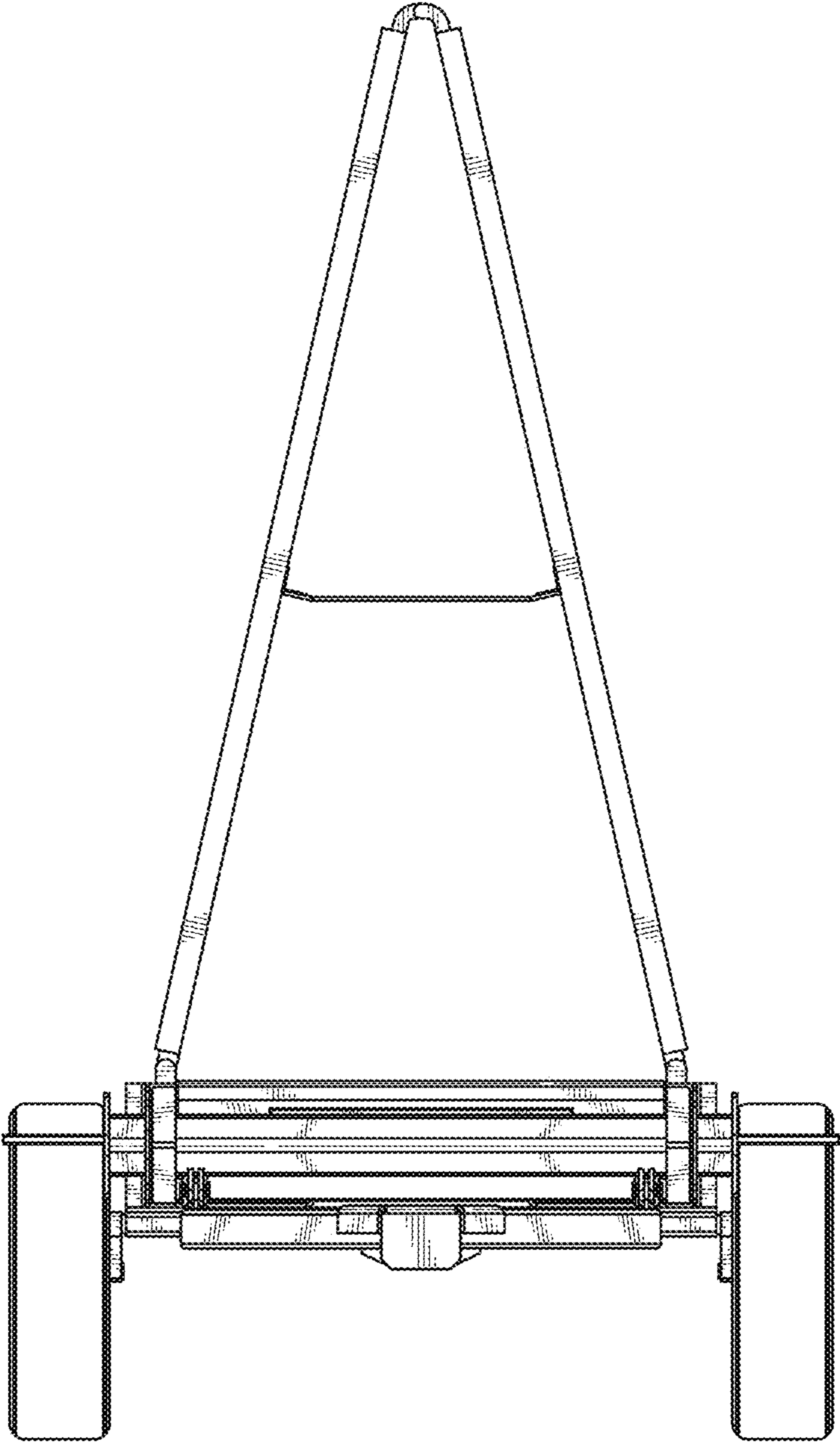


FIG. 2

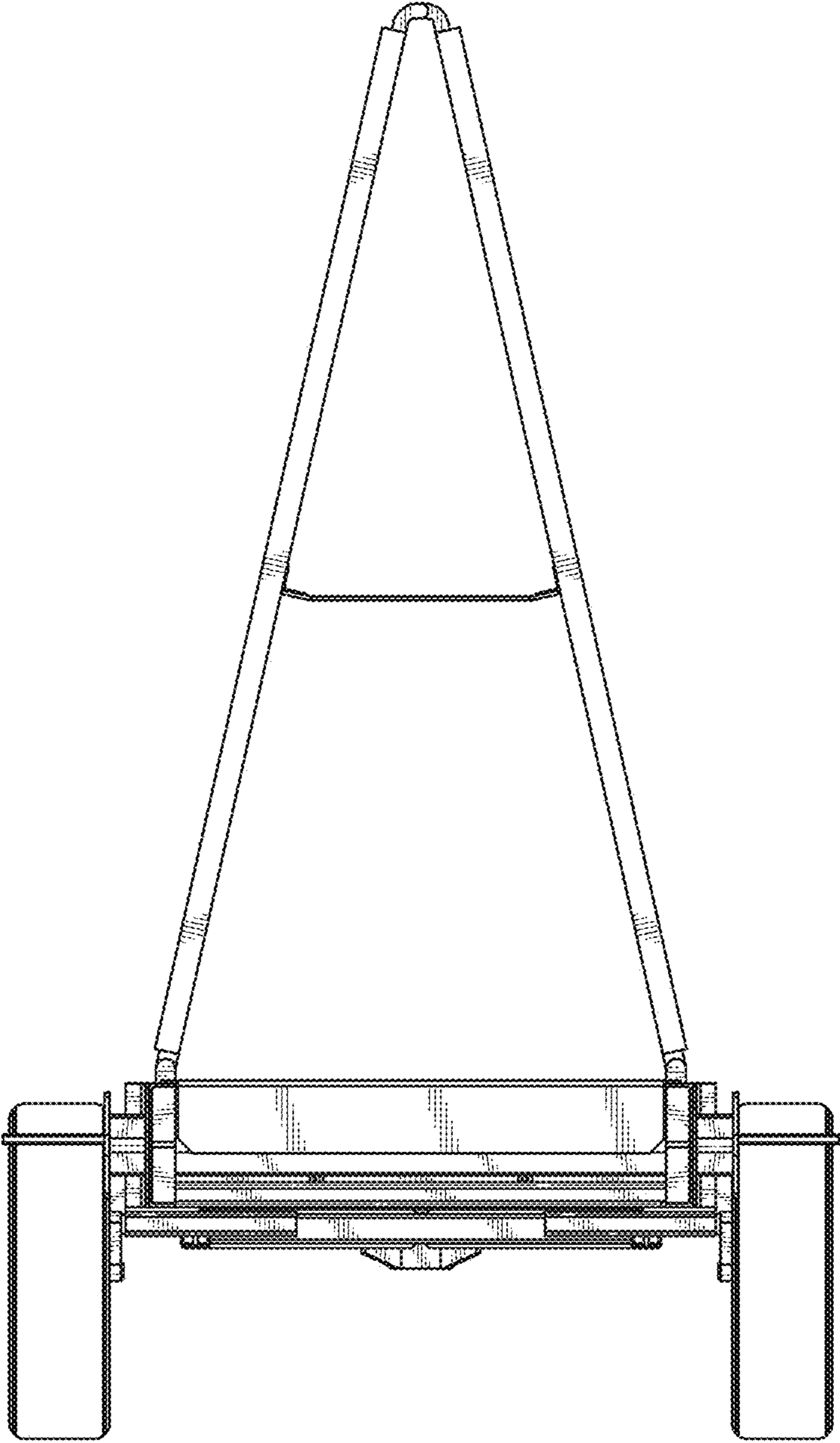


FIG. 3

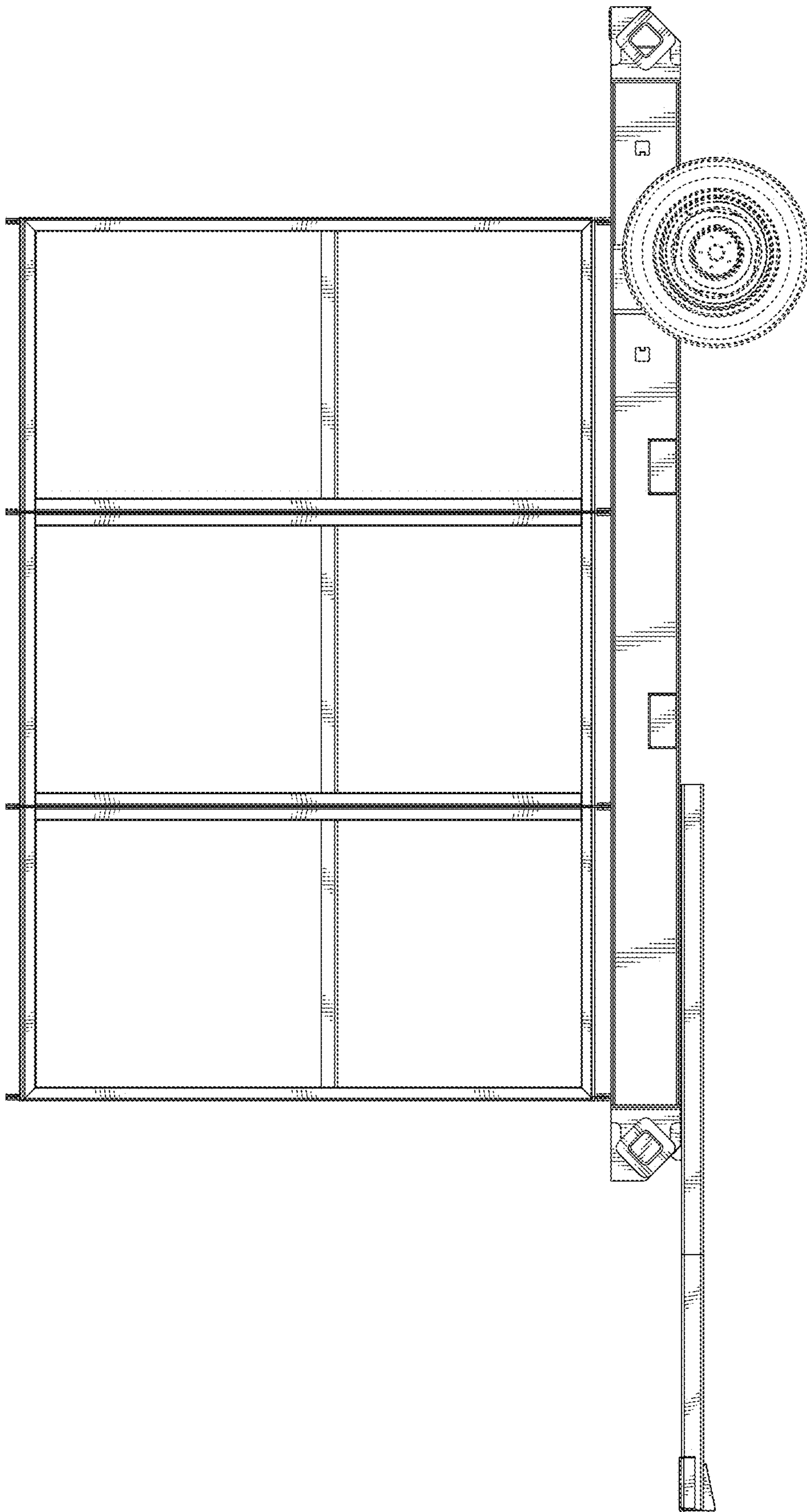


FIG. 4

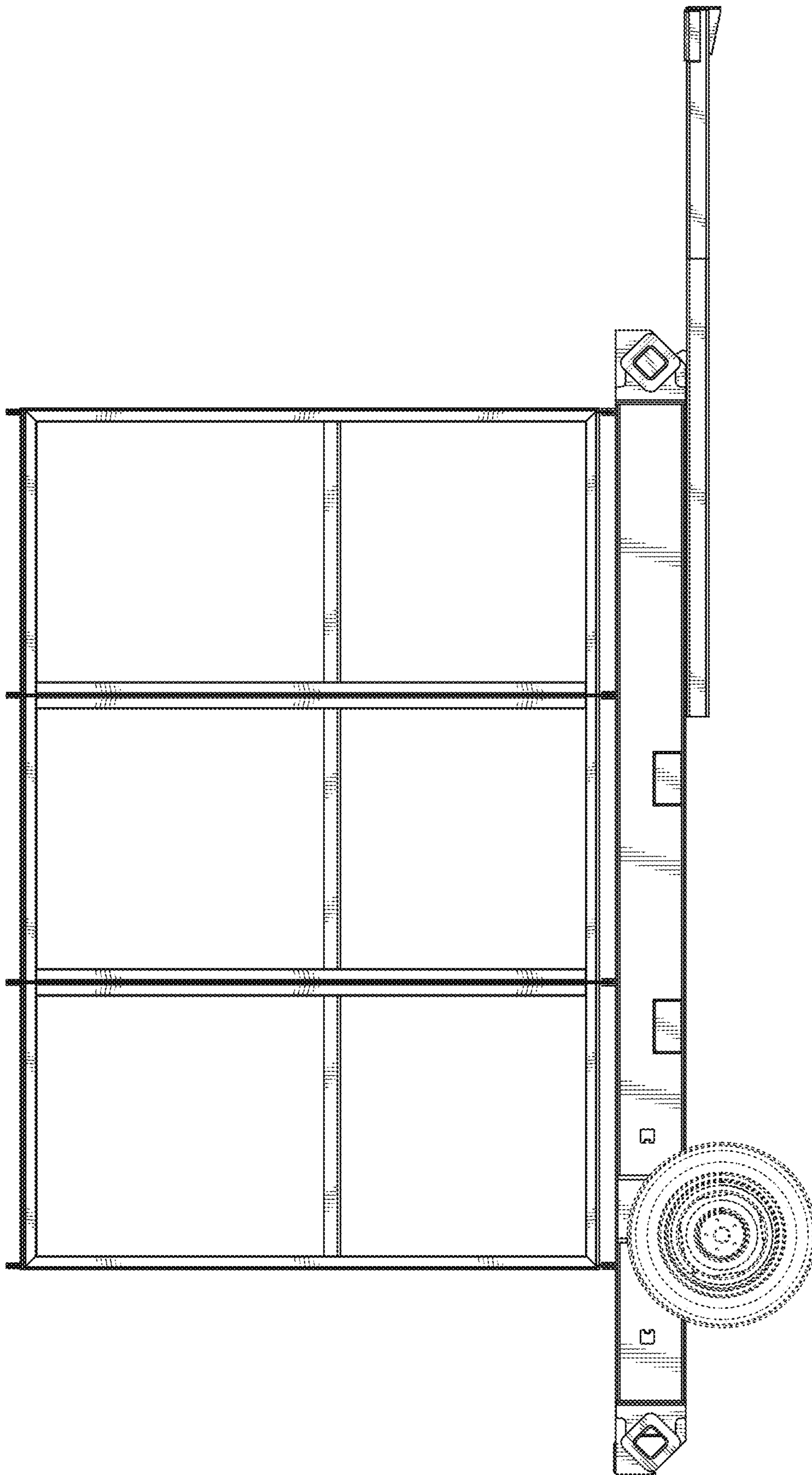


FIG. 5

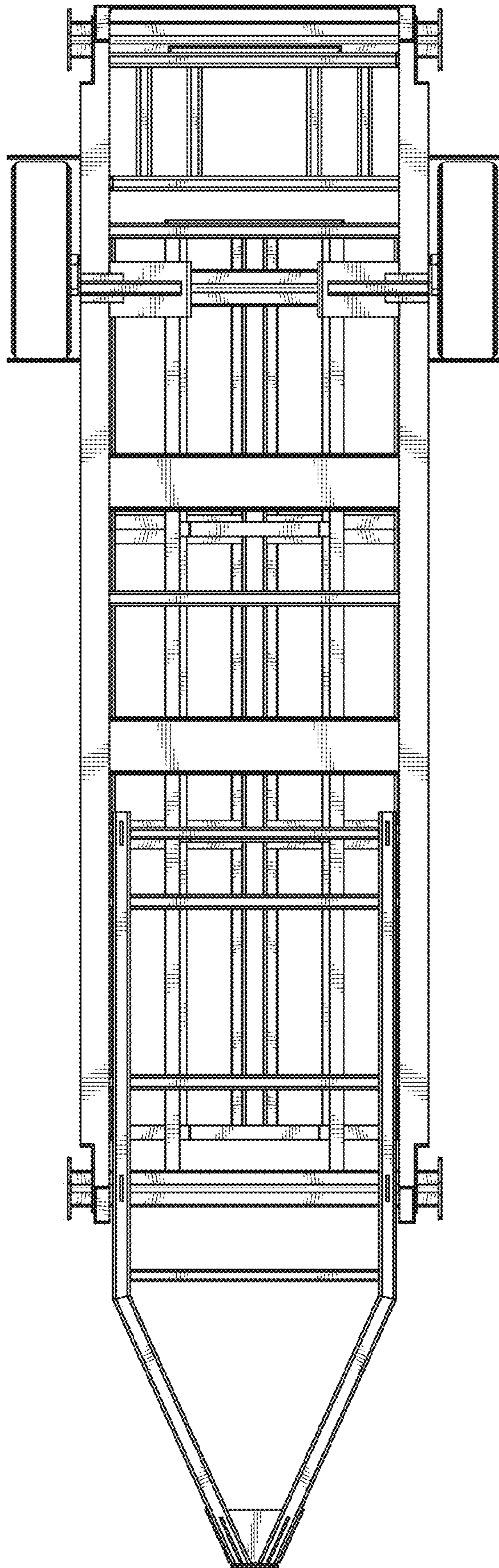


FIG. 6

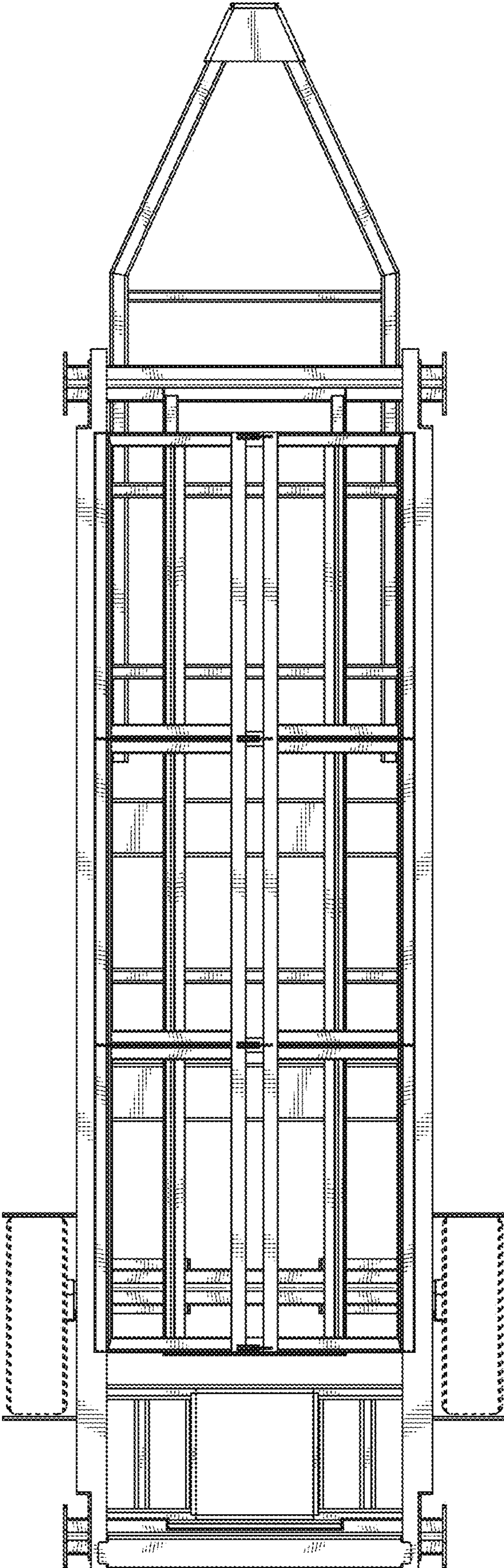


FIG. 7



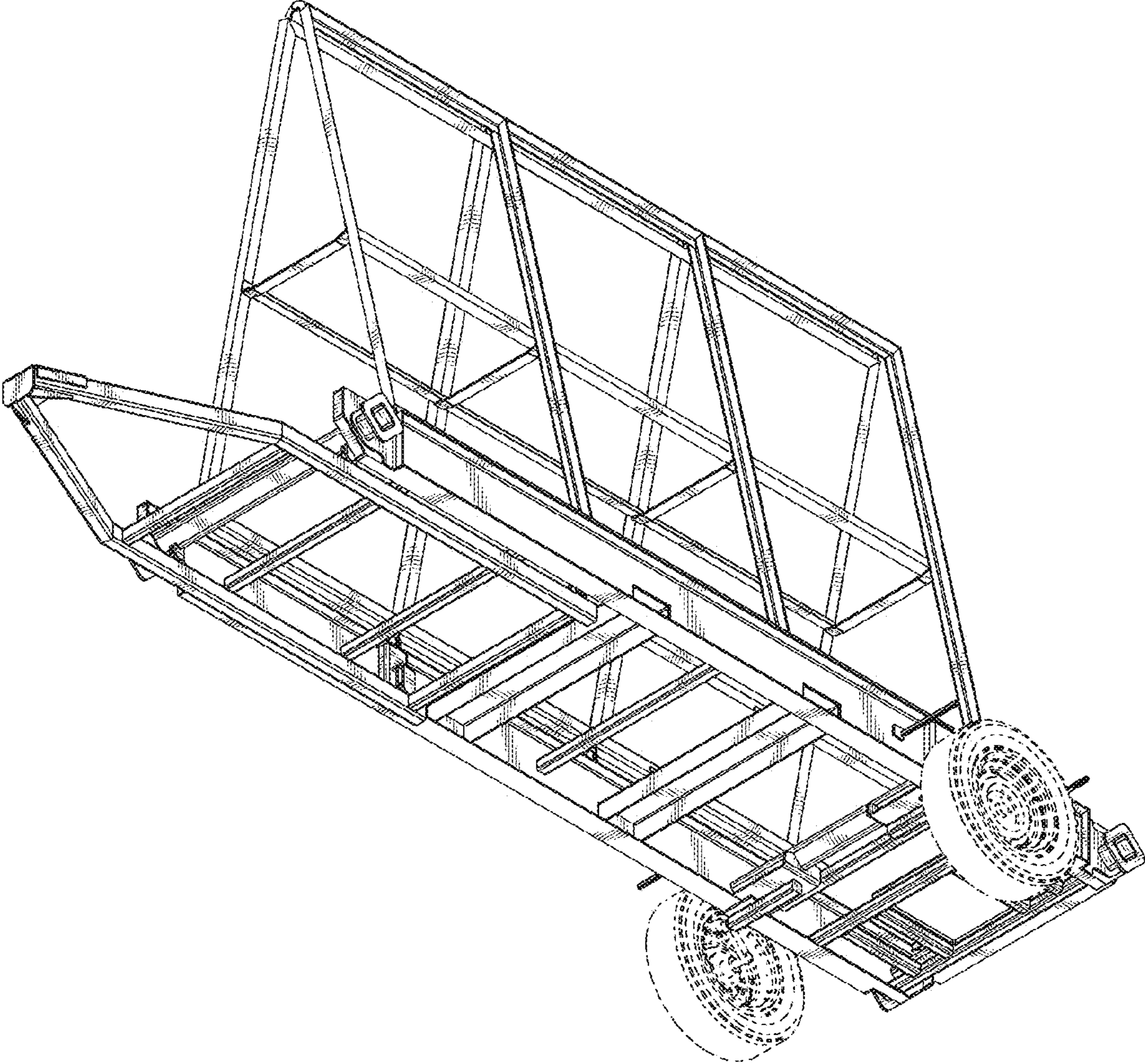


FIG. 8