



US0D1002187S

(12) **United States Design Patent** (10) **Patent No.:** **US D1,002,187 S**
Johnson (45) **Date of Patent:** **** *Oct. 24, 2023**

(54) **WEARABLE MOLLE PANEL**

(71) Applicant: **Mikhael A. Johnson**, Wylie, TX (US)
(72) Inventor: **Mikhael A. Johnson**, Wylie, TX (US)
(*) Notice: This patent is subject to a terminal disclaimer.
(**) Term: **15 Years**

(21) Appl. No.: **29/755,291**

(22) Filed: **Oct. 19, 2020**

(51) **LOC (14) Cl.** **03-01**

(52) **U.S. Cl.**
USPC **D3/224**

(58) **Field of Classification Search**
USPC D3/215, 226, 228, 254, 904, 221-222,
D3/262, 299-301, 224; D22/108, 199
CPC A45F 5/02; A45F 3/14; F41H 1/02; F42B
39/02

See application file for complete search history.

(56) **References Cited**

U.S. PATENT DOCUMENTS

D325,952 S *	5/1992	Moore	D22/108
5,724,707 A *	3/1998	Kirk	A45F 5/02
				224/675
7,424,748 B1 *	9/2008	McDunn	F41H 1/02
				2/2.5
D843,107 S *	3/2019	Swaggart	D3/217
2007/0289045 A1 *	12/2007	Evans	A45F 3/06
				2/102
2012/0175390 A1 *	7/2012	Rogers	A45F 5/02
				29/453
2014/0201879 A1 *	7/2014	Seuk	F41H 1/02
				2/2.5
2016/0313104 A1 *	10/2016	Williamson	F42B 39/26
2020/0000212 A1 *	1/2020	LeMarbe	A45F 3/14
2020/0003526 A1 *	1/2020	LeMarbe	F41H 5/02
2022/0061507 A1 *	3/2022	Johnson	A45F 5/021

OTHER PUBLICATIONS

Eagle Industries Hydration Carrier V2, unknown first available date, venturesurplus.com [online], [site visited Apr. 13, 2023], Available at URL: <https://www.venturesurplus.com/products/eagle-industries-hydration-carrier-v2/> (Year: 2023).*
US Issue Drop Leg MOLLE Panel, unknown first available date, armynavyoutdoors.com [online] [site visited Apr. 13, 2023], Available at URL: <https://armynavyoutdoors.com/u-s-issue-drop-leg-molle-panel/> (Year: 2023).*

* cited by examiner

Primary Examiner — Andrew Kerr
Assistant Examiner — Caitlin A Laverty

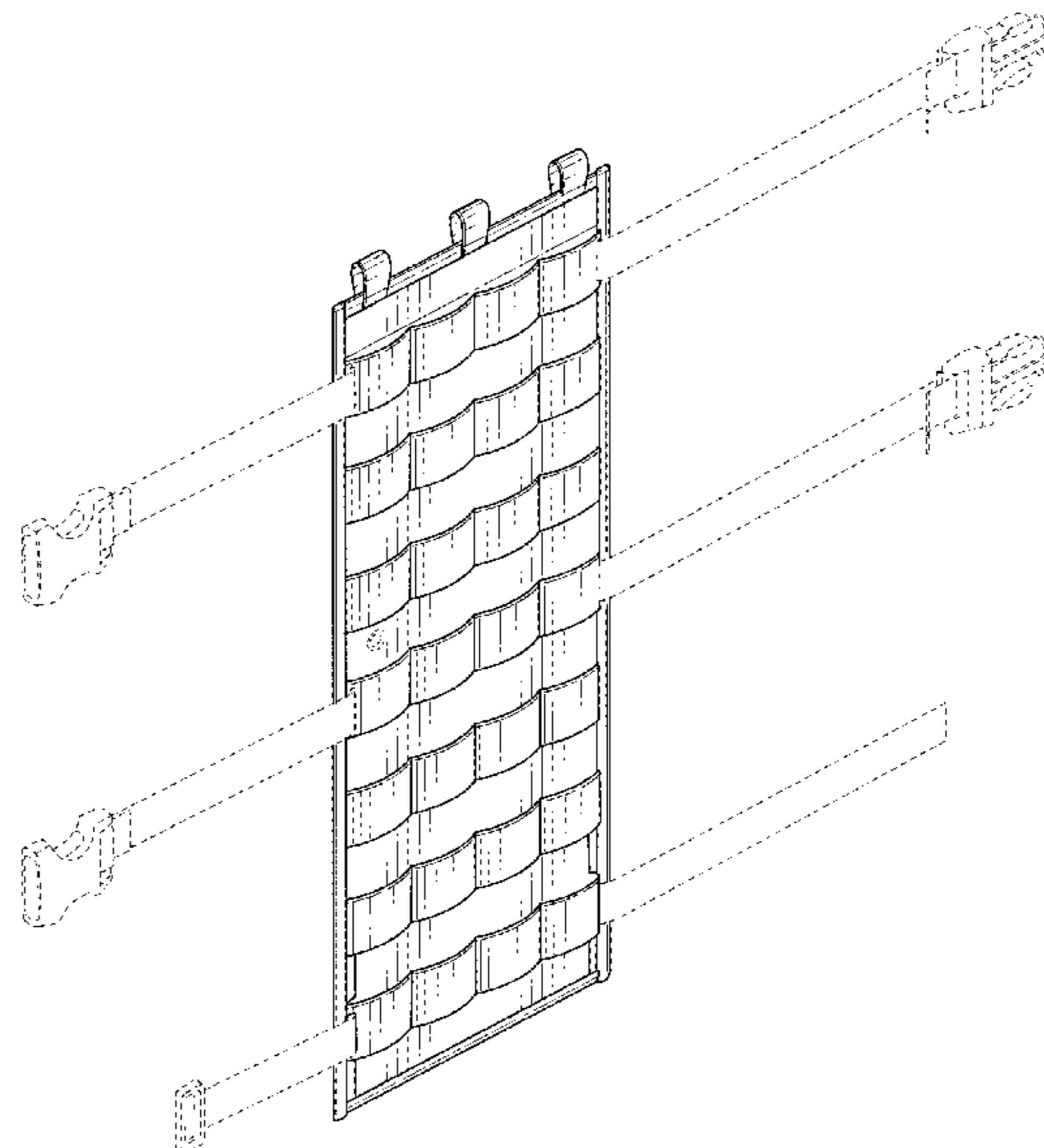
(57) **CLAIM**

The ornamental design for a wearable molle panel, as shown and described.

DESCRIPTION

FIG. 1 is a top perspective view of a wearable molle panel showing my new design;
FIG. 2 is a bottom perspective view thereof;
FIG. 3 is a front elevated view thereof;
FIG. 4 is a rear elevated view thereof;
FIG. 5 is a right elevated view thereof;
FIG. 6 is a left elevated view thereof;
FIG. 7 is a top plan view thereof;
FIG. 8 is a bottom plan view thereof; and,
FIG. 9 is a top perspective view thereof, showing the wearable molle panel attached to a pair of pants.
The broken lines showing of orifices in FIGS. 1-4 and 9, the broken lines showing of an eyelet in FIGS. 1-4 and 9, the broken lines showing of straps in FIG. 1-9, and the broken lines showing of pants in FIG. 9 are included for the purpose of showing environmental structure and form no part of the claimed design.

1 Claim, 9 Drawing Sheets



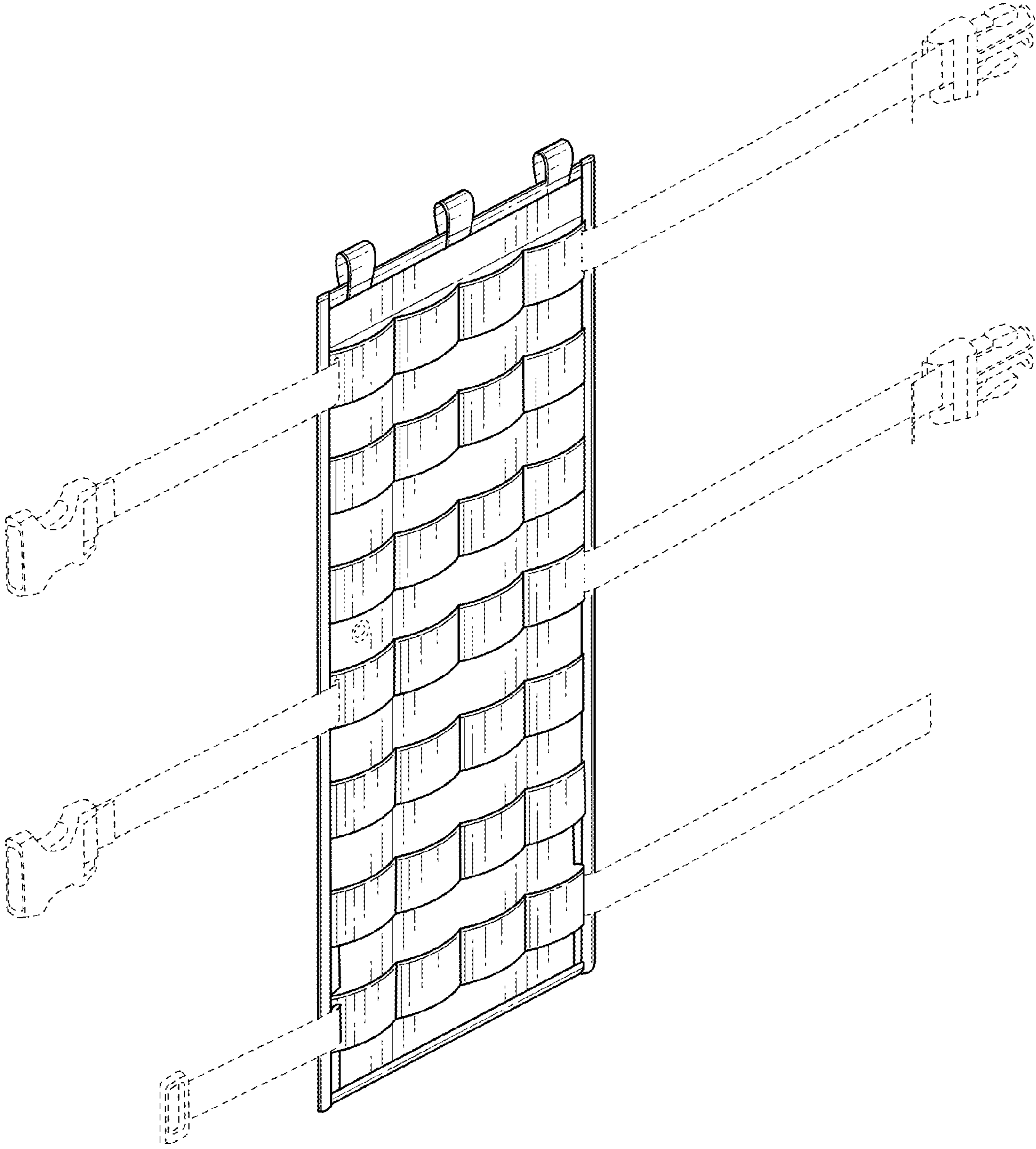


FIG. 1

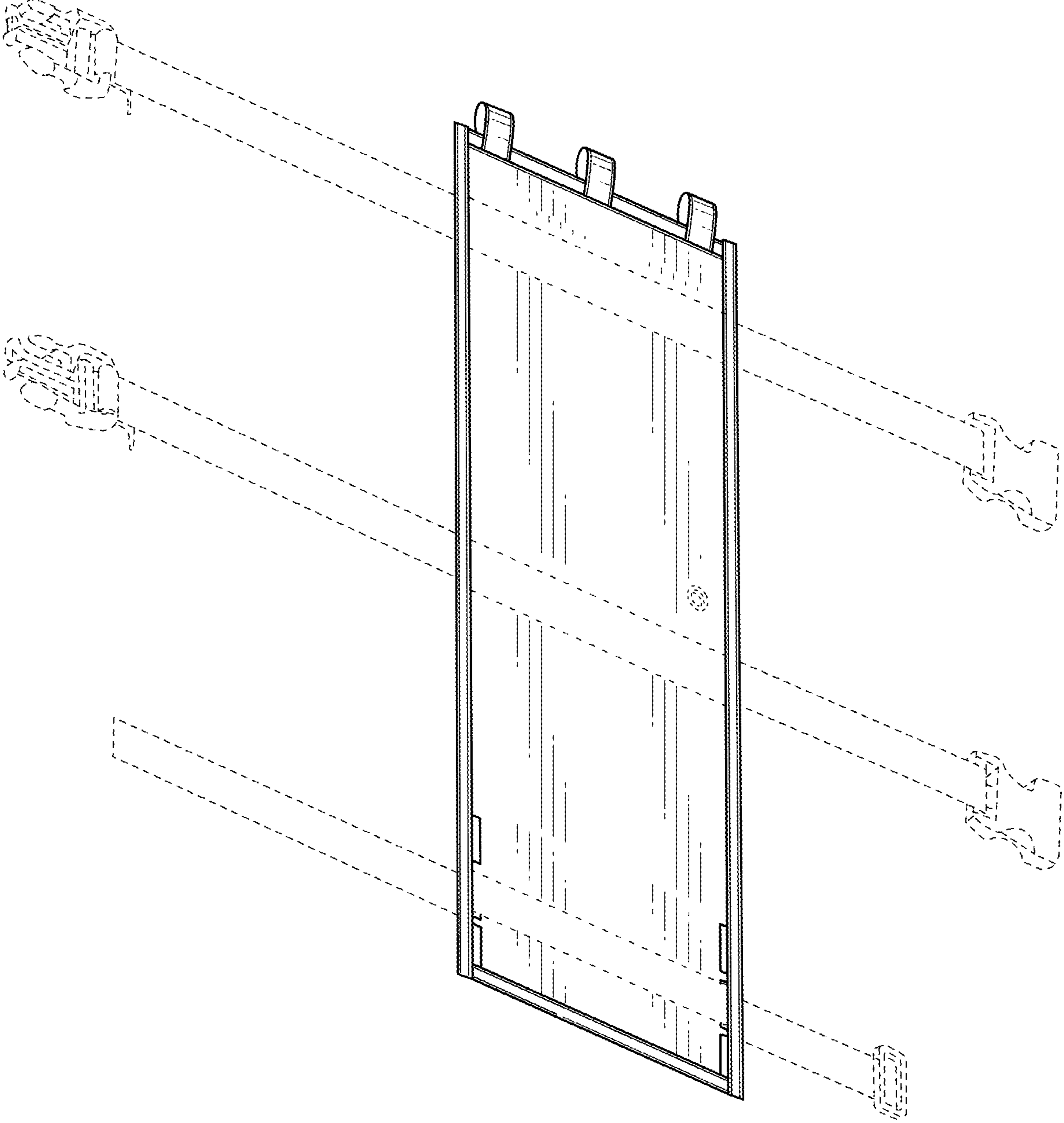


FIG. 2

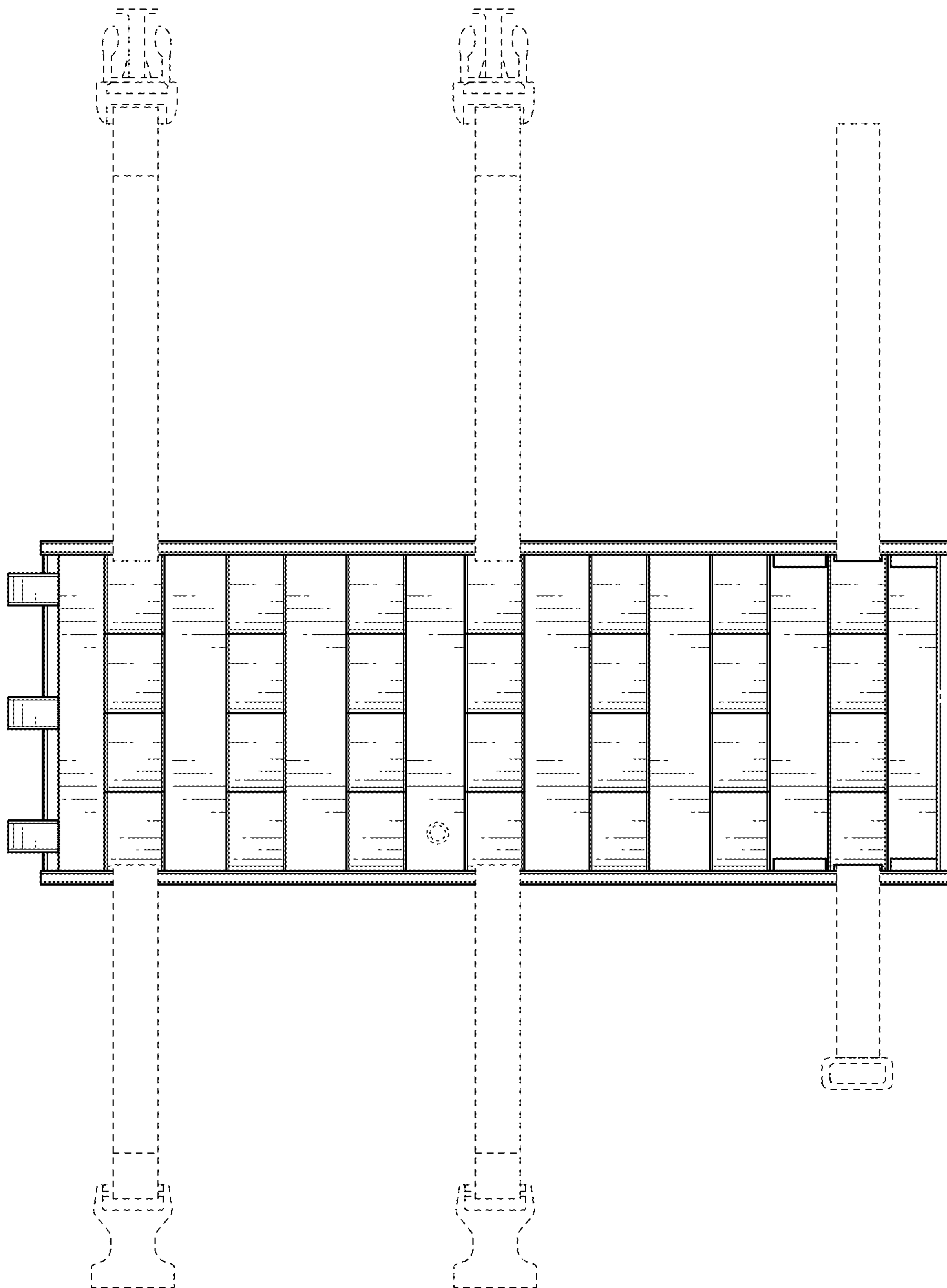


FIG. 3

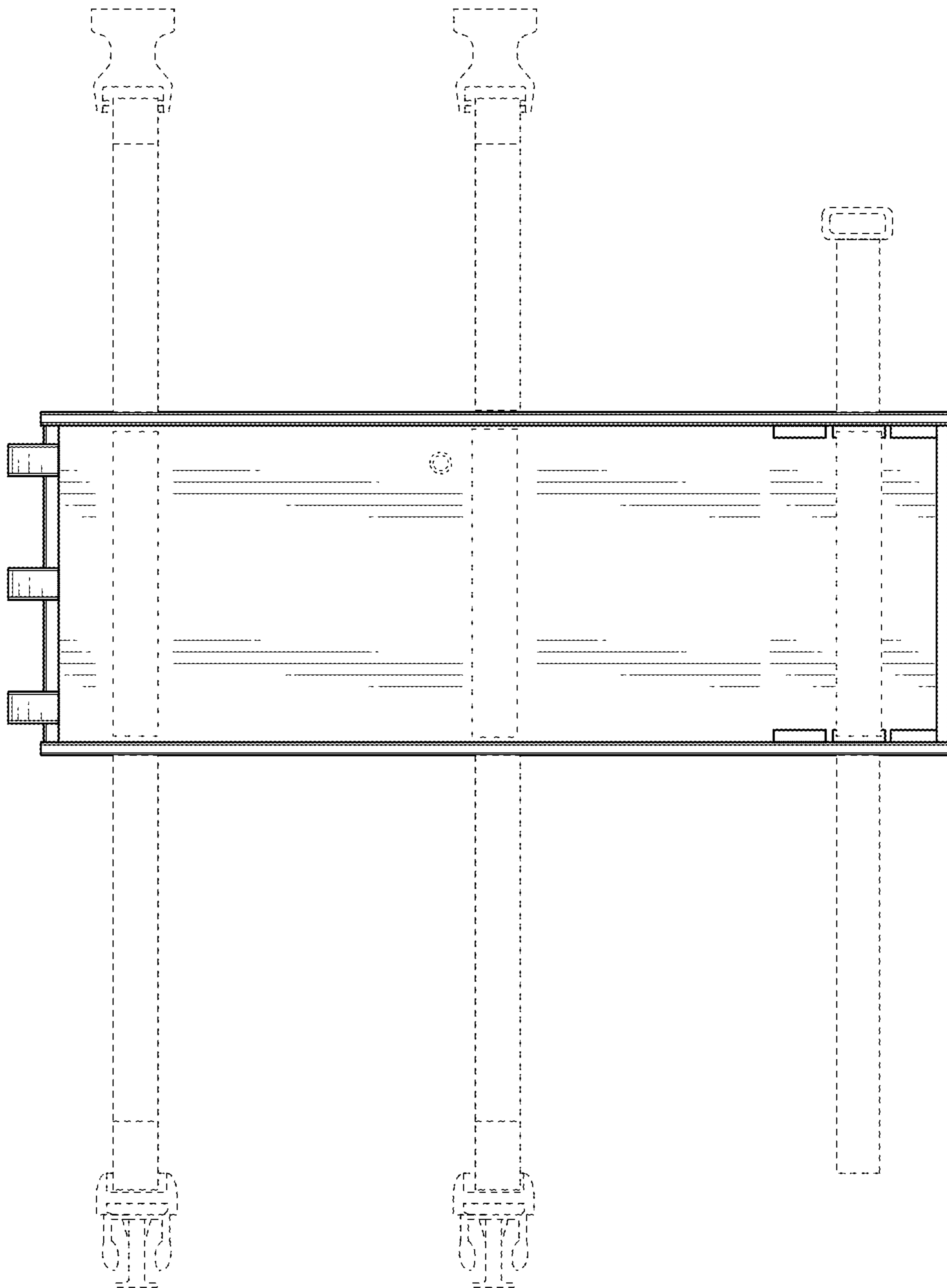


FIG. 4



FIG. 5



FIG. 6



FIG. 7



FIG. 8

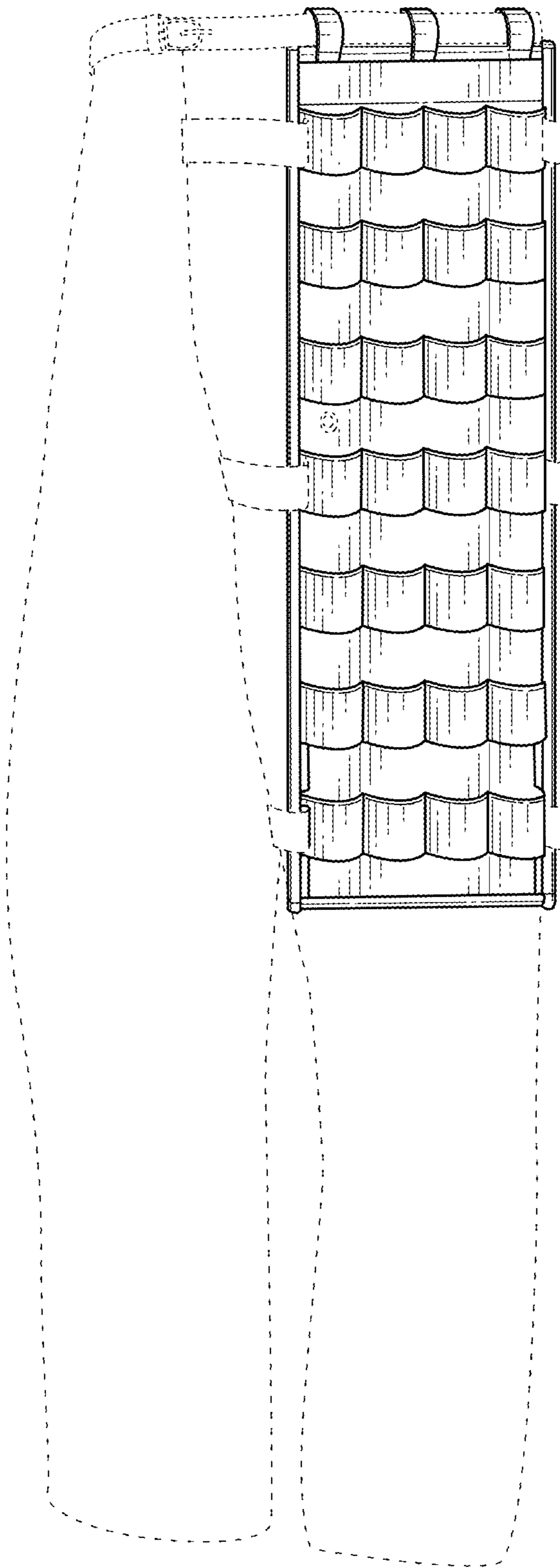


FIG. 9