



US0D1002075S

(12) **United States Design Patent** (10) **Patent No.:** **US D1,002,075 S**
Lévesque (45) **Date of Patent:** **** Oct. 17, 2023**

- (54) **LAMP**
- (71) Applicant: **Umbra LLC**, Buffalo, NY (US)
- (72) Inventor: **Maxime Lévesque**, Ecully (FR)
- (73) Assignee: **UMBRA LLC**, Buffalo, NY (US)
- (**) Term: **15 Years**
- (21) Appl. No.: **29/790,072**
- (22) Filed: **Nov. 3, 2021**
- (51) **LOC (14) Cl.** **26-05**
- (52) **U.S. Cl.**
USPC **D26/106**
- (58) **Field of Classification Search**
USPC D26/24, 93, 104–105, 106, 108, 110,
D26/112, 113, 118, 128, 130, 137
CPC F21S 6/00; F21S 6/002; F21S 9/00; F21S
9/02; F21S 13/12
See application file for complete search history.

5.5 Designers: Fire Kit, first found Feb. 23, 2012, retrieved Jul. 13, 2023 from URL: <https://www.designboom.com/design/55-designers-fire-kit/> (Year: 2012).*

Boss Buck 3-Way Game Feeder, first found Sep. 19, 2016, retrieved Jul. 13, 2023 from URL: <https://www.tractorsupply.com/tsc/product/boss-buck-protein-lower-unit-poly-with-3-way-head-6-in-bb-19p3-1658441> (Year: 2016).*

Boss Buck 4-Way Game Feeder Gravity Head, first found Jul. 21, 2017, retrieved Jul. 13, 2023 from URL: <https://www.tractorsupply.com/tsc/product/boss-buck-4-way-gravity-head-bb-18-bb-18> (Year: 2017).*

* cited by examiner

Primary Examiner — Richard Kearney
Assistant Examiner — Christina M. Dodson
 (74) *Attorney, Agent, or Firm* — Simpson & Simpson, PLLC

(57) **CLAIM**

The ornamental design for a lamp, as shown and described.

(56) **References Cited**

U.S. PATENT DOCUMENTS

8,500,299	B2 *	8/2013	Speidel	F21V 13/10 362/296.05
D697,046	S *	1/2014	Hanna	D14/204
D725,818	S *	3/2015	Yao	D26/118
D750,315	S *	2/2016	Yao	D26/118
D751,246	S *	3/2016	Yao	D26/118
9,279,554	B1 *	3/2016	Wierzbinski	F21V 21/06
D955,031	S *	6/2022	Saarnio	D26/118
2013/0235566	A1 *	9/2013	Fan	F21V 7/0008 362/187
2019/0032904	A1 *	1/2019	Wang	F21S 6/001

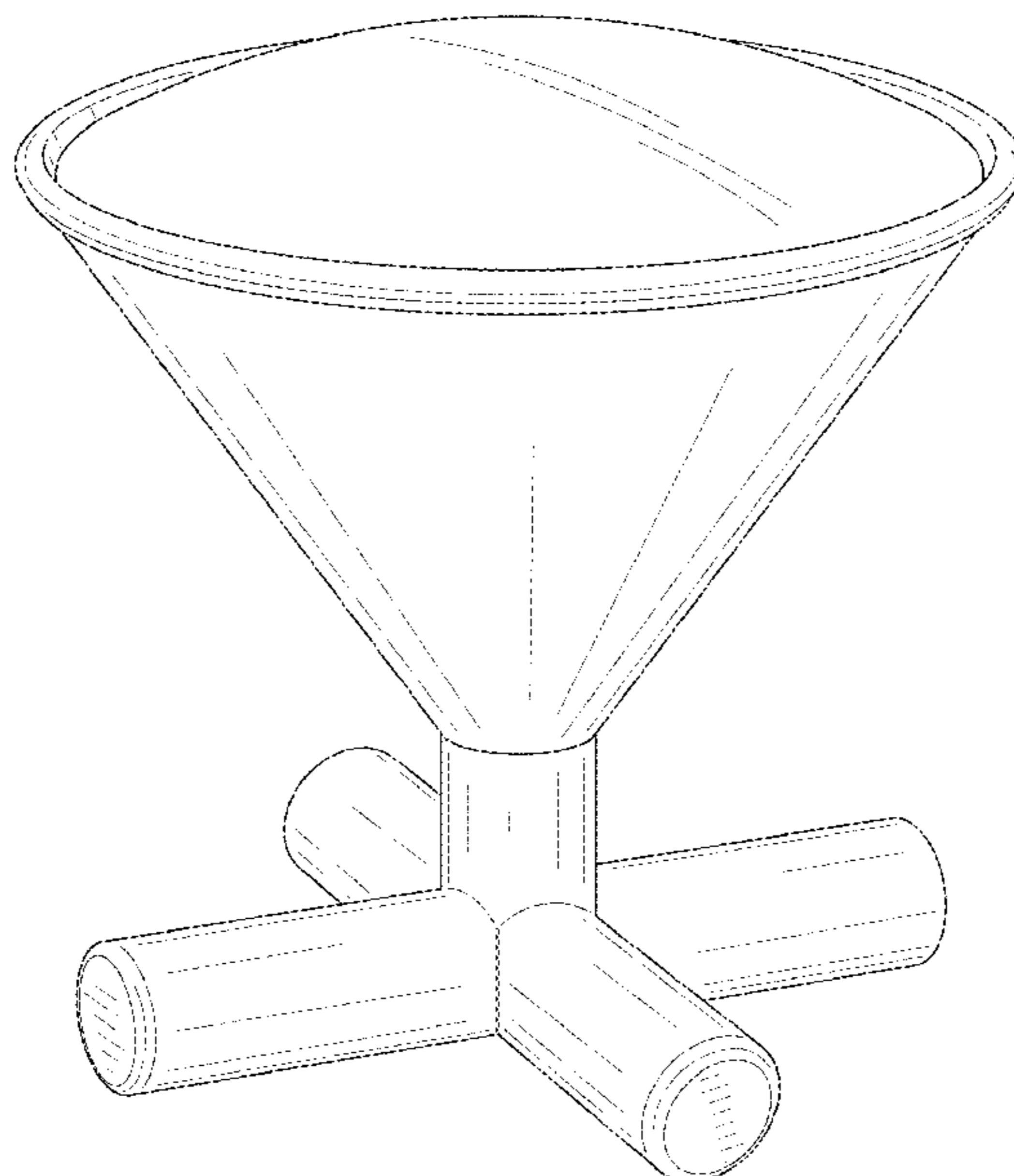
OTHER PUBLICATIONS

Umbra Catalogue 2022, published Jan. 12, 2022, retrieved Jul. 13, 2023 from URL: https://issuu.com/new-vision-boutique/docs/umbra_2022_catalog (Year: 2022).*

DESCRIPTION

FIG. 1 is a front perspective view of the lamp of the present invention;
 FIG. 2 is a front elevational view of the lamp shown in FIG. 1;
 FIG. 3 is a rear elevational view of the lamp shown in FIG. 1;
 FIG. 4 is a left side elevational view of the lamp shown in FIG. 1;
 FIG. 5 is a right side elevational view of the lamp shown in FIG. 1;
 FIG. 6 is a top view of the lamp shown in FIG. 1; and,
 FIG. 7 is a bottom view of the lamp shown in FIG. 1.
 Contour lines are included in the drawing views of FIGS. 1-7 to depict surface curvature and flatness.

1 Claim, 7 Drawing Sheets



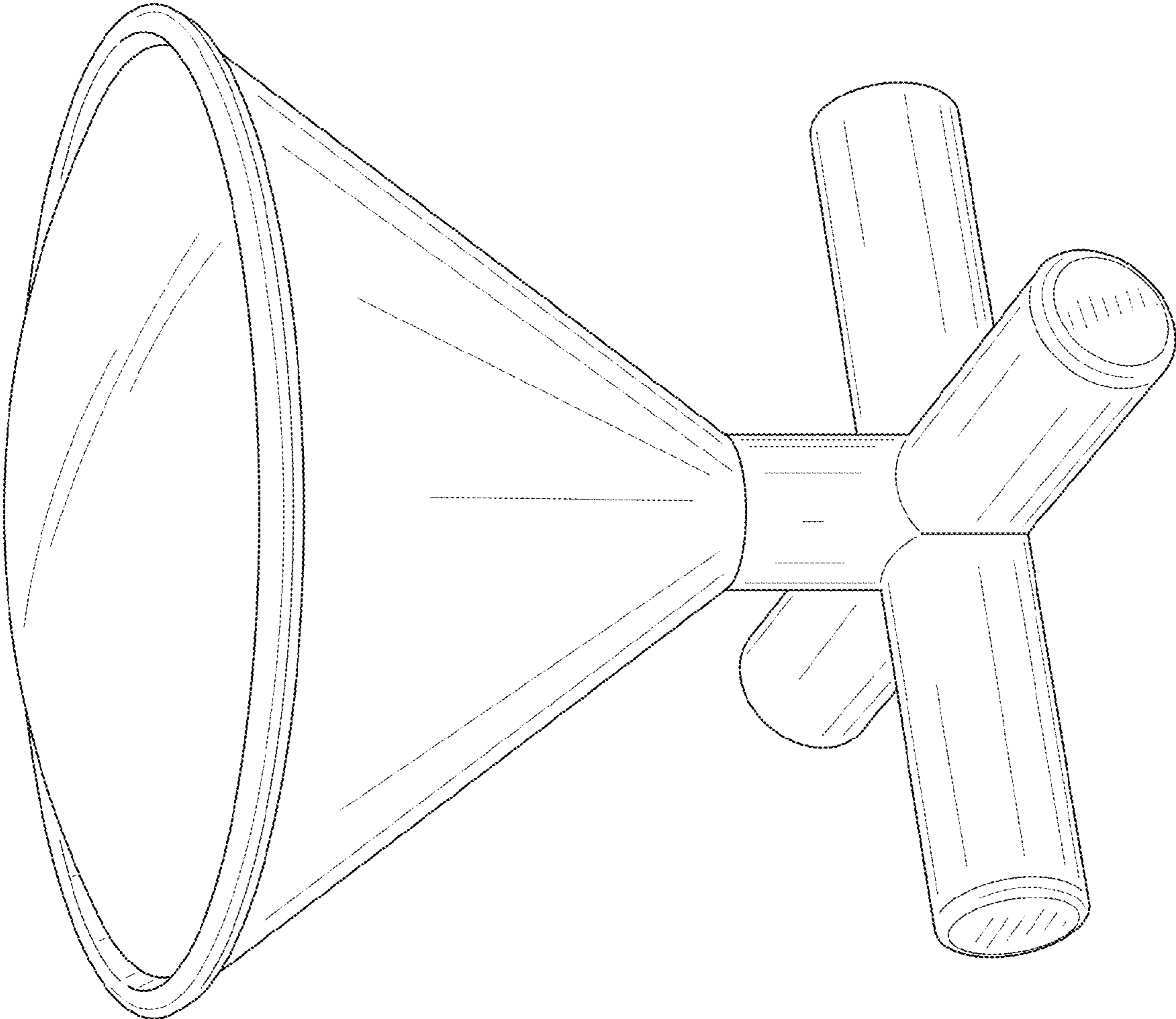


FIG. 1

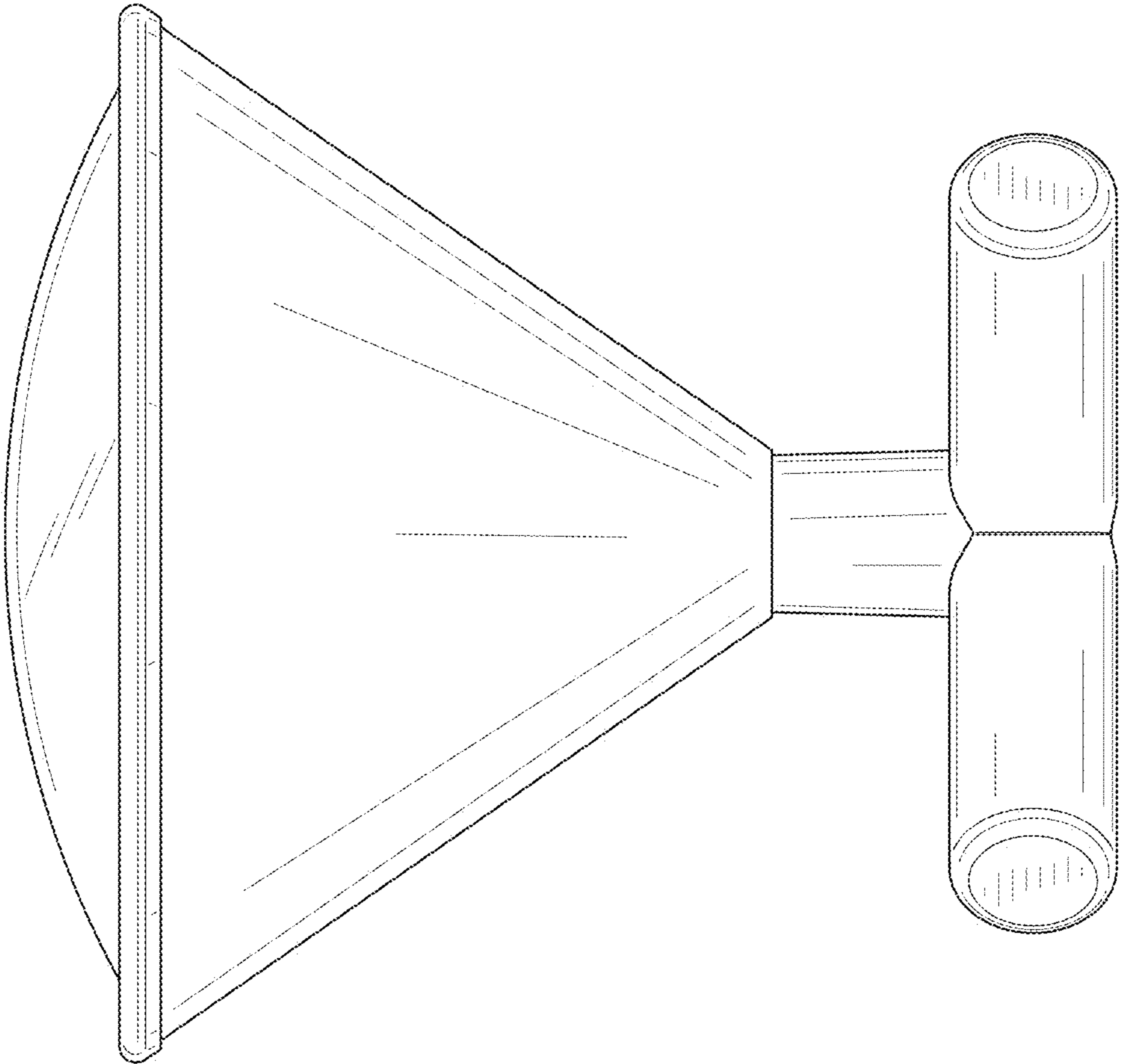


FIG. 2

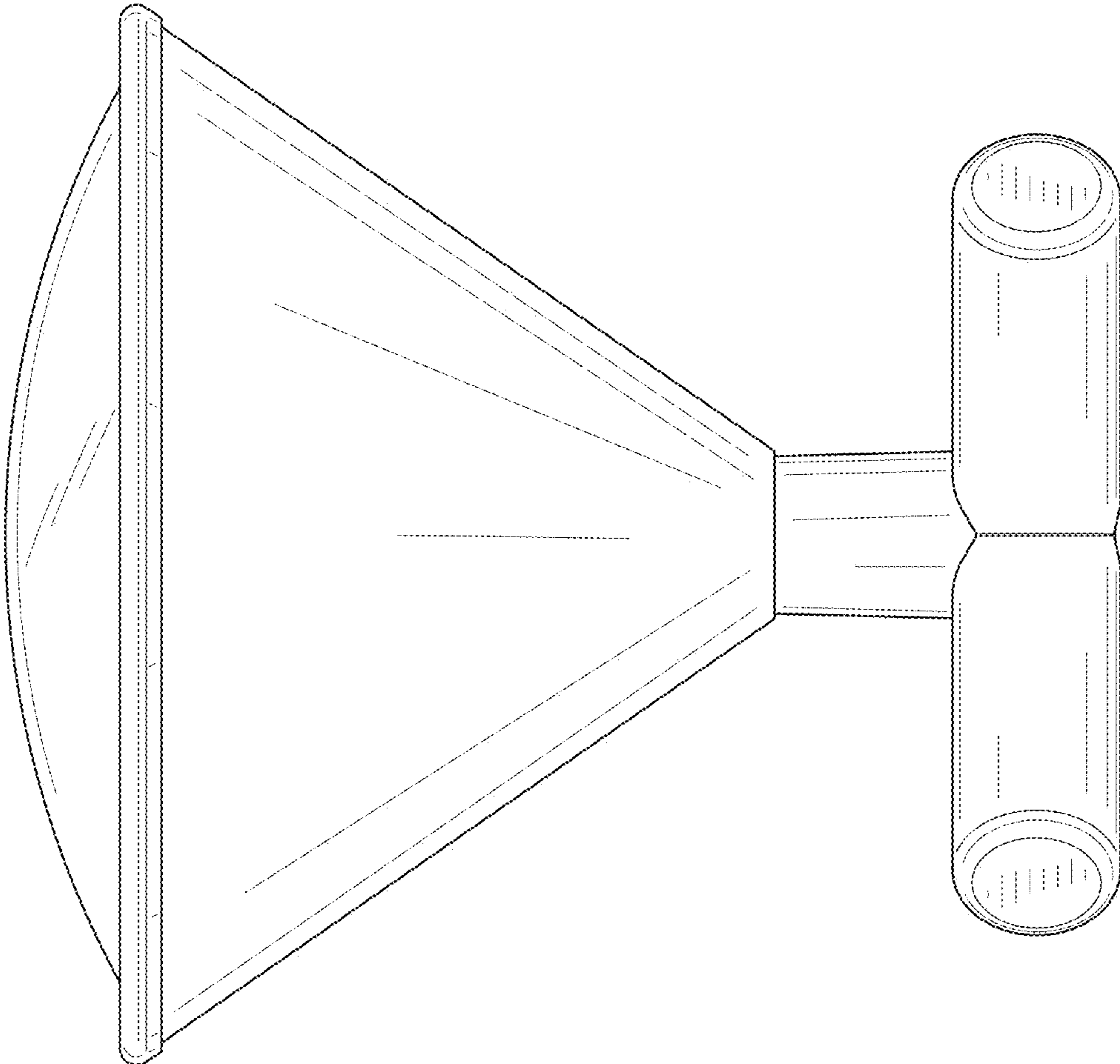


FIG. 3

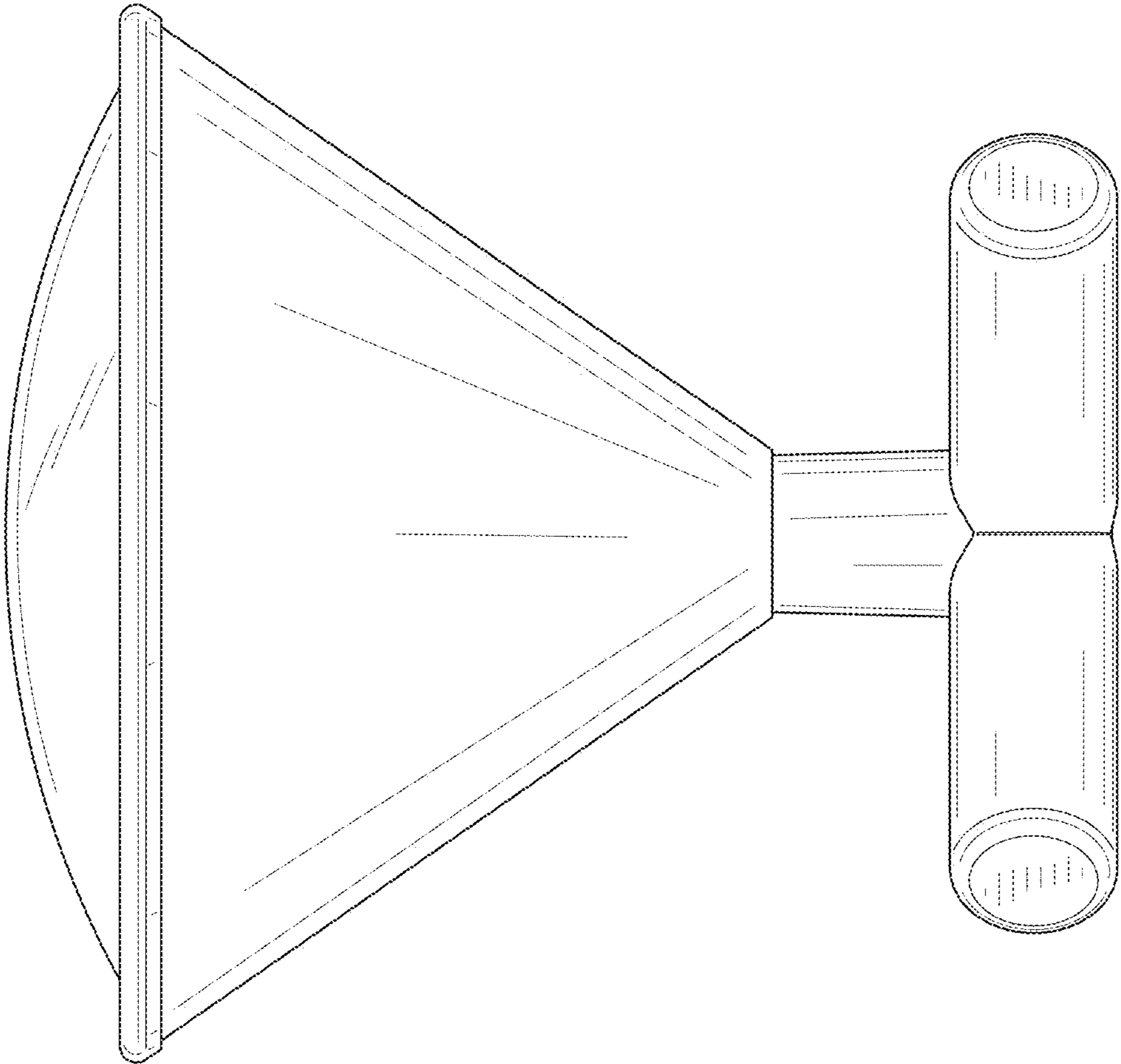


FIG. 4

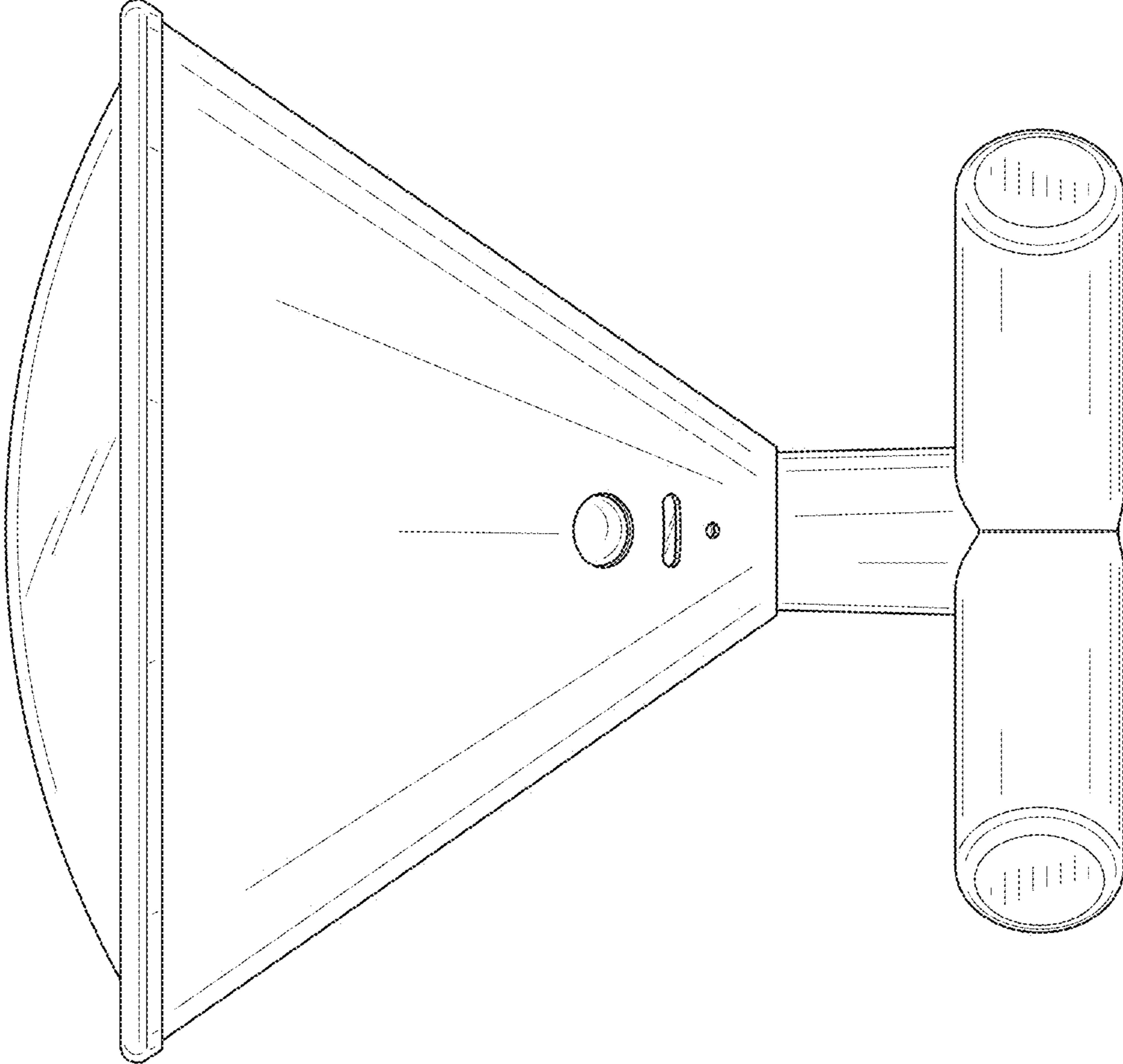


FIG. 5

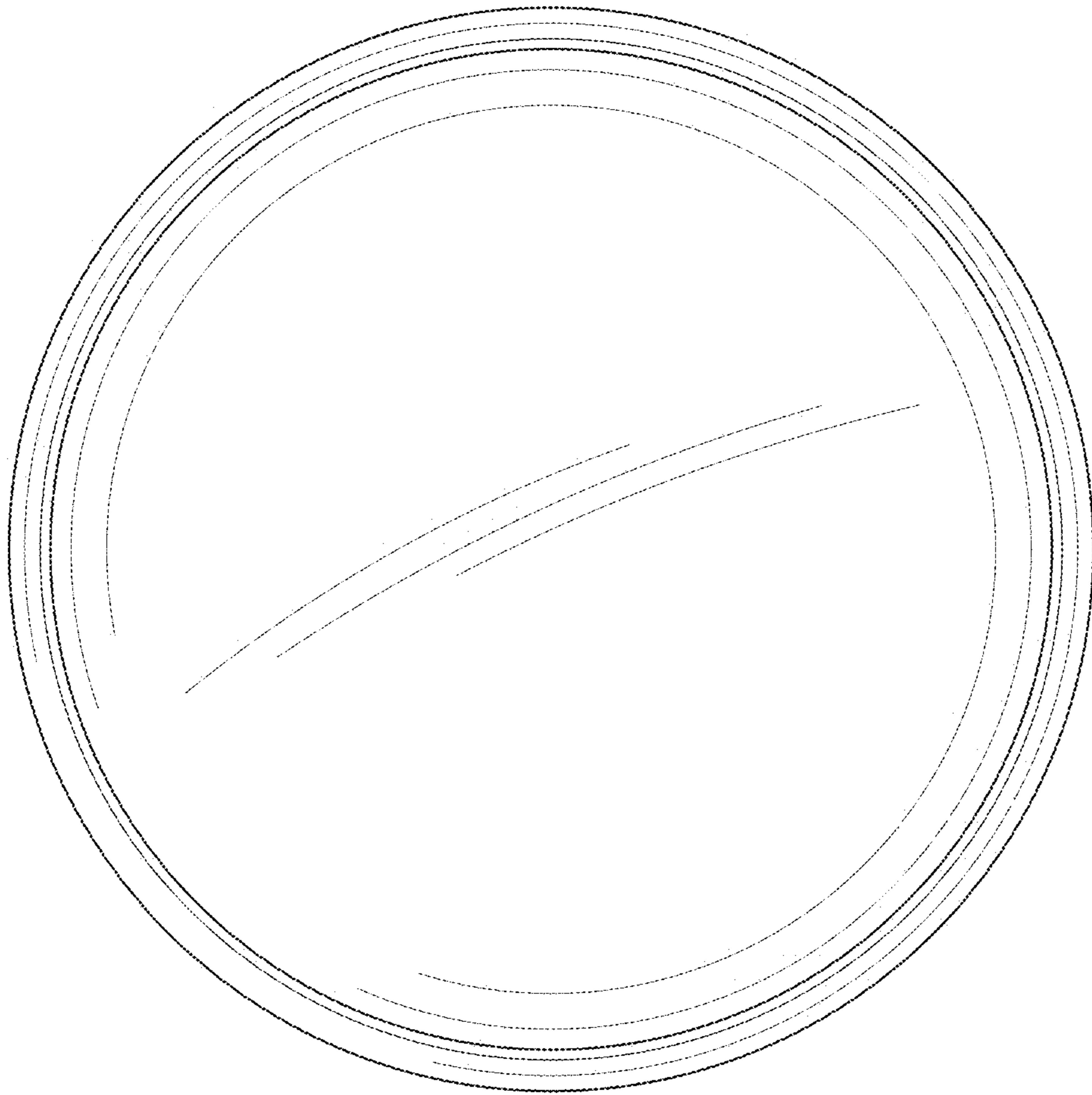


FIG. 6

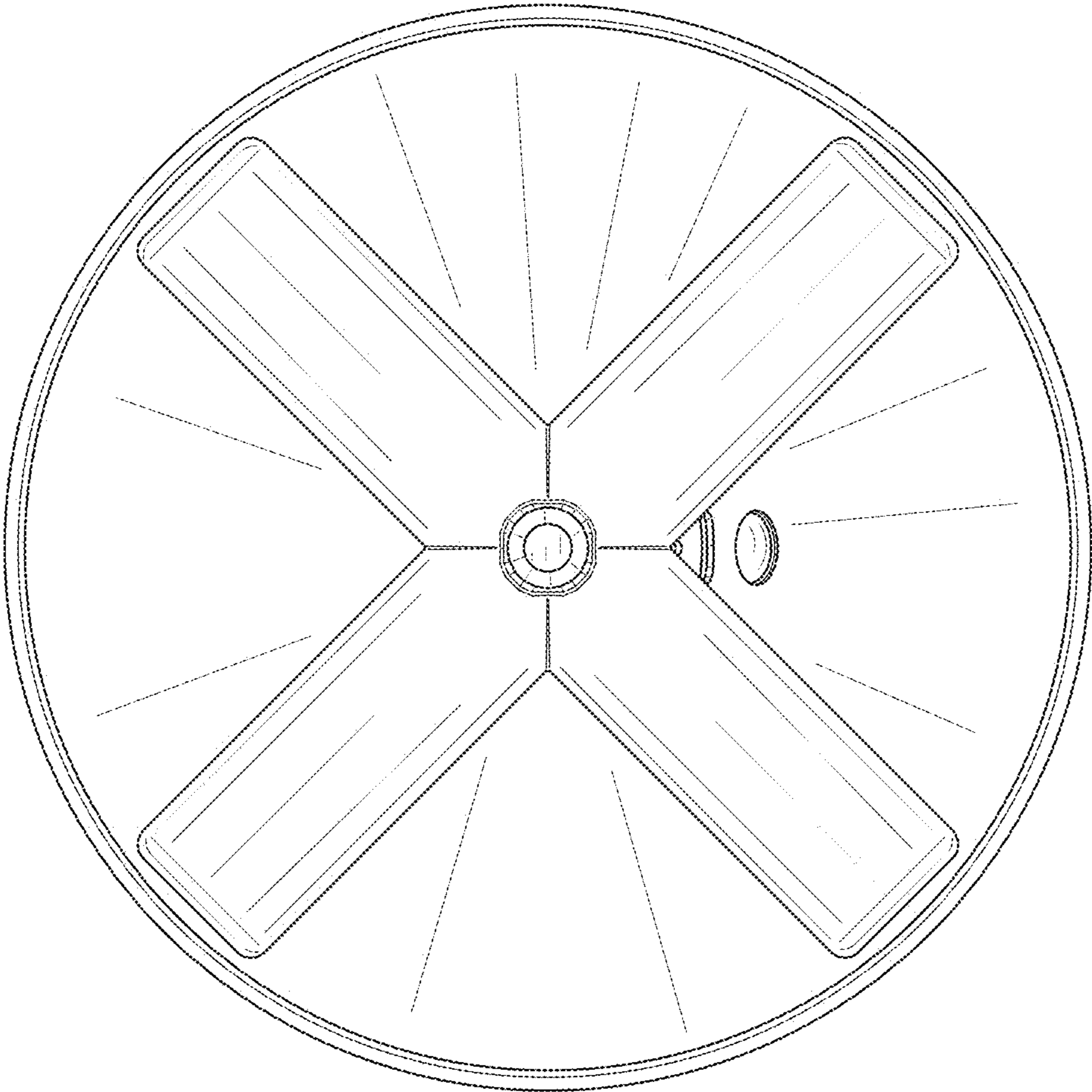


FIG. 7