



US0D1002045S

(12) **United States Design Patent**
Wang et al.

(10) **Patent No.: US D1,002,045 S**
(45) **Date of Patent: ** Oct. 17, 2023**

(54) **LED VIDEO LIGHT**

FOREIGN PATENT DOCUMENTS

(71) Applicant: **SHENZHEN NEEWER TECHNOLOGY CO. LTD**, Shenzhen (CN)

CN 302653331 * 11/2013
CN 306682241 * 7/2021
EM 015005775-0001 * 12/2022

(72) Inventors: **Jun Wang**, Shenzhen (CN); **Yan Ke**, Shenzhen (CN)

OTHER PUBLICATIONS

(73) Assignee: **SHENZHEN NEEWER TECHNOLOGY CO. LTD**, Shenzhen (CN)

“Ulanzi Handheld Light Wand,” Aug. 26, 2021, amazon.com, site visited Apr. 20, 2023, URL: <https://www.amazon.com/ULANZI-Photography-Rechargeable-2500-9000K-Attraction/dp/B09DPQNLQ7?th=1> (Year: 2021).*

(Continued)

(**) Term: **15 Years**

Primary Examiner — Lauren D McVey
Assistant Examiner — Sarah L Smith

(21) Appl. No.: **29/868,637**

(74) *Attorney, Agent, or Firm* — Westbridge IP LLC

(22) Filed: **Dec. 9, 2022**

(57) **CLAIM**

(51) **LOC (14) Cl.** **26-05**

The ornamental design for an LED video light, as shown and described.

(52) **U.S. Cl.**

USPC **D26/60**; D16/239; D26/37

DESCRIPTION

(58) **Field of Classification Search**

USPC D26/37–44, 46–52, 72, 60–61; D16/221, D16/225, 229, 237, 239, 241

CPC G09F 13/0422; G09F 13/04; F21V 5/007; F21V 33/0052; F21S 8/033; F21S 2/00; F21S 8/03; F21S 8/04; G02F 1/133604; G02F 1/133614; G02F 1/133615; G02F 1/133617; F21Y 2105/00; F21Y 2105/10; F21Y 2105/16; F21Y 2105/18; G02B 7/02; F21L 2003/00; F21L 2001/00

See application file for complete search history.

FIG. 1 is a front, right and top perspective view of a light-emitting diode (LED) video light showing our new design;

FIG. 2 is a rear, left and bottom perspective view thereof;

FIG. 3 is a front elevation view thereof;

FIG. 4 is a rear elevation view thereof;

FIG. 5 is a left side elevation view thereof;

FIG. 6 is a right side elevation view thereof;

FIG. 7 is a top plan view thereof;

FIG. 8 is a bottom plan view thereof; and,

FIG. 9 is a partial enlarged view taken from circle 9 in FIG. 1.

The dash-dash broken lines in the drawings depict the portions of the LED video light which form no part of the claimed design.

The dot-dash broken lines in the drawings depict the boundaries of the partial enlarged views that form no part of the claimed design.

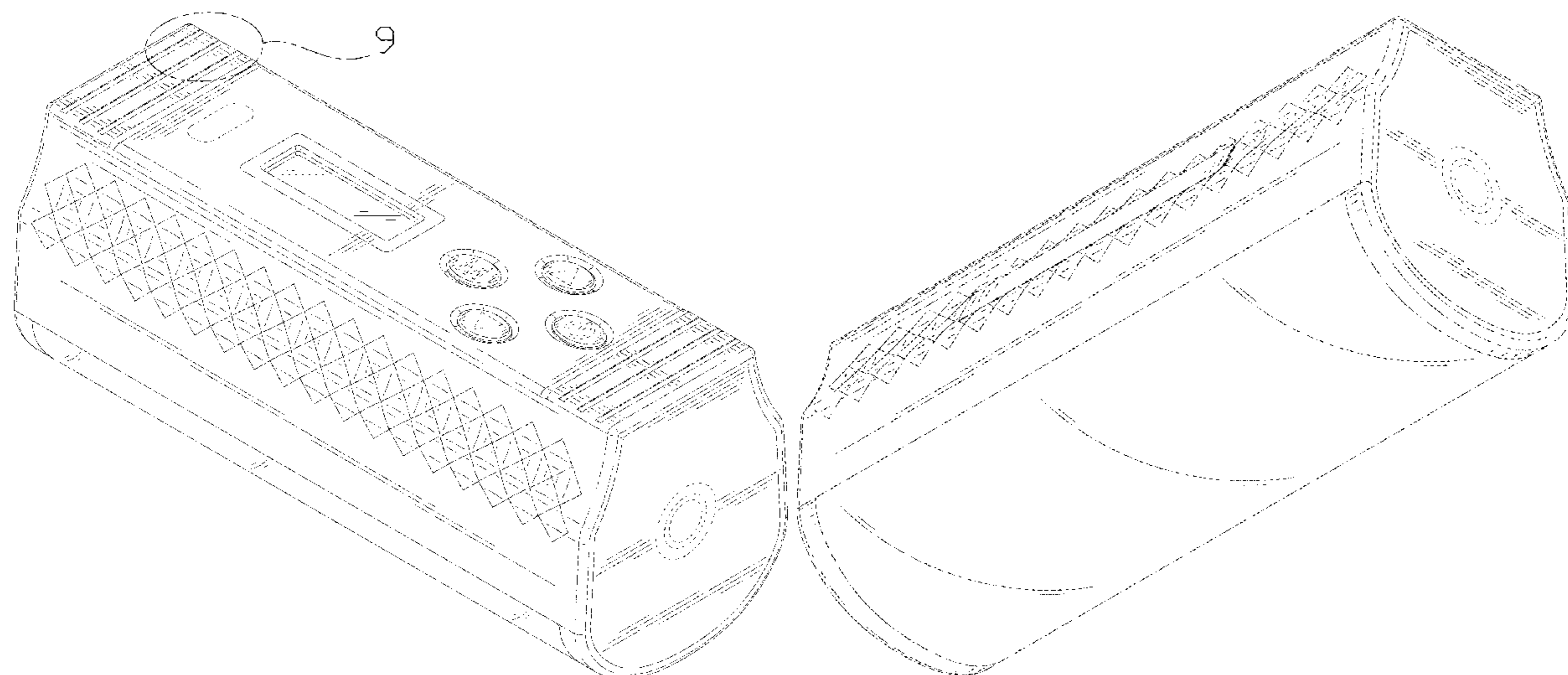
(56) **References Cited**

U.S. PATENT DOCUMENTS

D294,065 S * 2/1988 Wan F21L 2/00
D10/109.2
D363,250 S * 10/1995 Miyatake F21V 17/18
D10/114.6
D412,216 S * 7/1999 Klaus D26/72

(Continued)

1 Claim, 9 Drawing Sheets



(56)

References Cited

U.S. PATENT DOCUMENTS

D509,922 S 9/2005 Yeh
 D589,638 S * 3/2009 Collins D26/72
 D614,224 S 4/2010 Orion et al.
 D735,661 S * 8/2015 Miller F21L 4/085
 D13/103
 D764,092 S 8/2016 Cai et al.
 D776,186 S 1/2017 Gammons
 D780,967 S 3/2017 Geddes et al.
 D804,082 S * 11/2017 Boorom D26/118
 D820,899 S * 6/2018 Shiono F21V 21/0885
 D16/221
 D858,831 S * 9/2019 Proeber D26/37
 D867,178 S 11/2019 Deng et al.
 D875,285 S 2/2020 Prieto et al.
 D904,657 S 12/2020 Proeber et al.
 D914,259 S * 3/2021 Kipp D26/58
 D915,641 S 4/2021 Zhan
 D921,248 S 6/2021 Shang et al.
 11,035,556 B2 * 6/2021 Proeber F21V 21/0885

D925,081 S 7/2021 Ke et al.
 D945,033 S 3/2022 Jiang
 D982,204 S * 3/2023 Zhou D26/51
 2016/0097493 A1 * 4/2016 Anderson F21L 2/00
 362/544
 2023/0066831 A1 * 3/2023 Gu F21V 17/18

OTHER PUBLICATIONS

“GreatLPT RGB Handheld Light Wand,” Nov. 1, 2022, amazon.com, site visited Apr. 20, 2023, URL: <https://www.amazon.com/dp/B0BL3MKV46/> (Year: 2022).*

“Newer Magnetic Handheld Light Wand,” Sep. 22, 2022, amazon.com, site visited Apr. 20, 2023, URL: <https://www.amazon.com/Magnetic-Handheld-Rechargeable-2500-8500K-Photography/dp/B0BG4BN1TZ/> (Year: 2022).*

“Ganboo Magnetic Handheld RGB Light Wand,” Feb. 3, 2023, amazon.com, site visited Apr. 20, 2023, URL: <https://www.amazon.com/dp/B0BTTCX18Z/> (Year: 2023).*

* cited by examiner

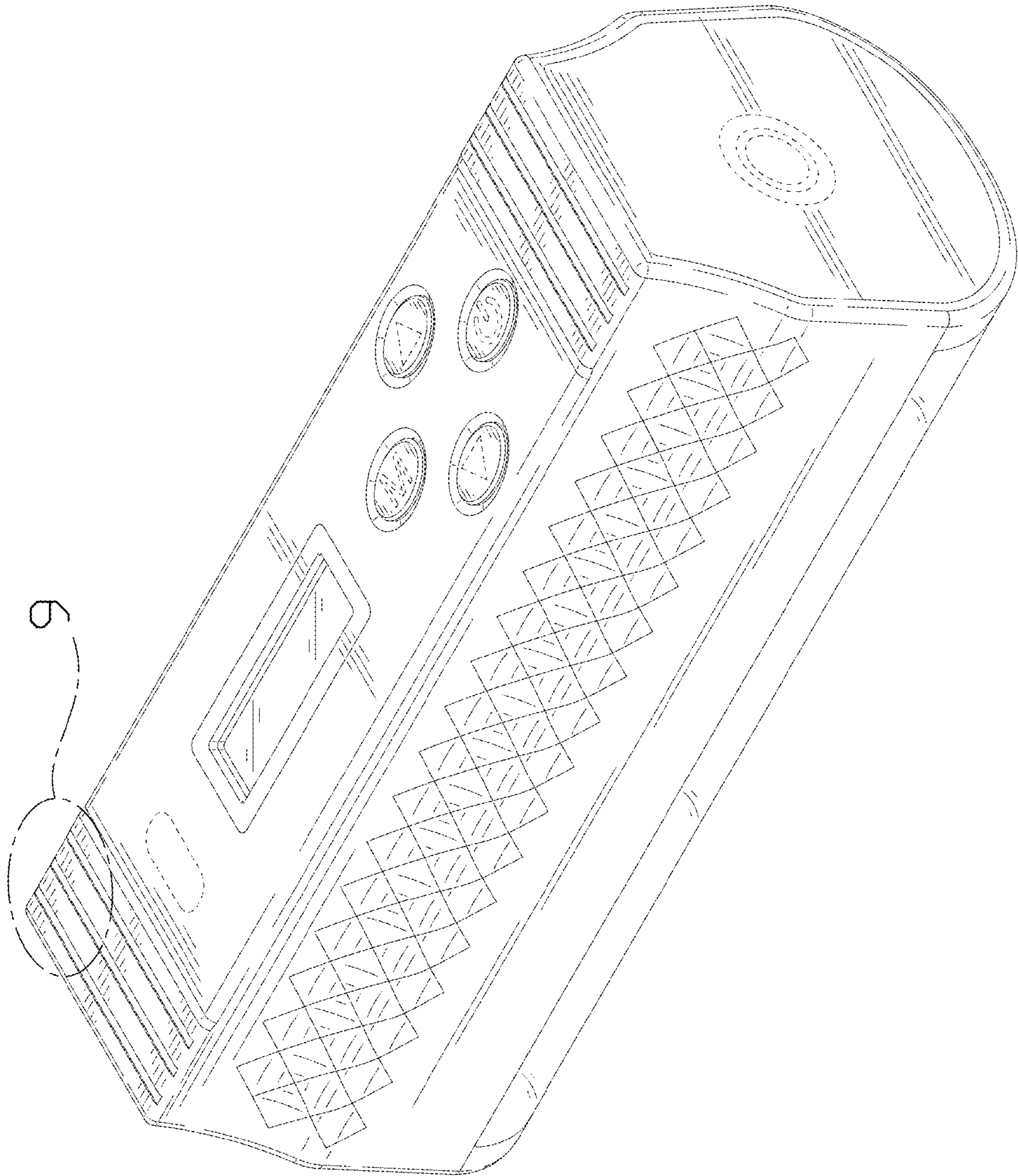


FIG. 1

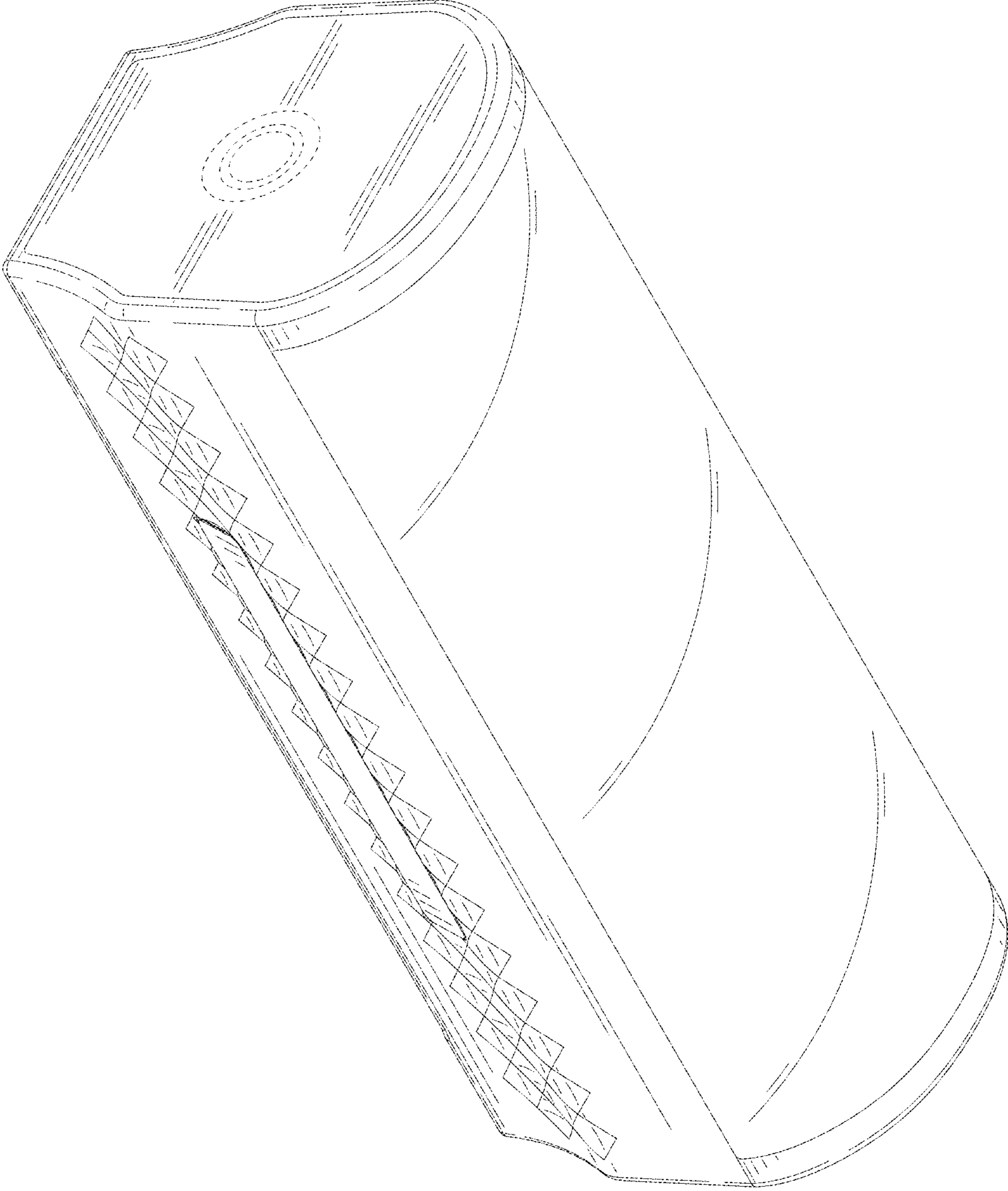


FIG. 2

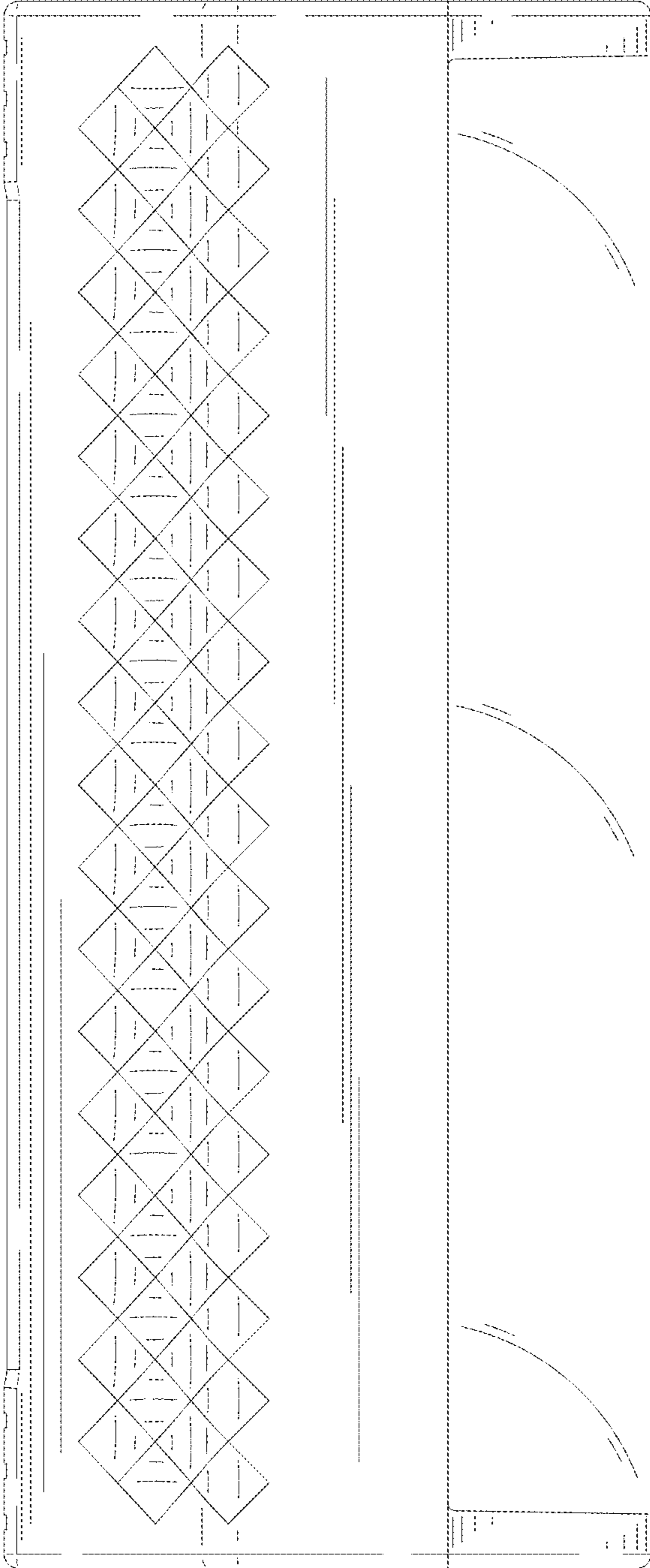


FIG. 3

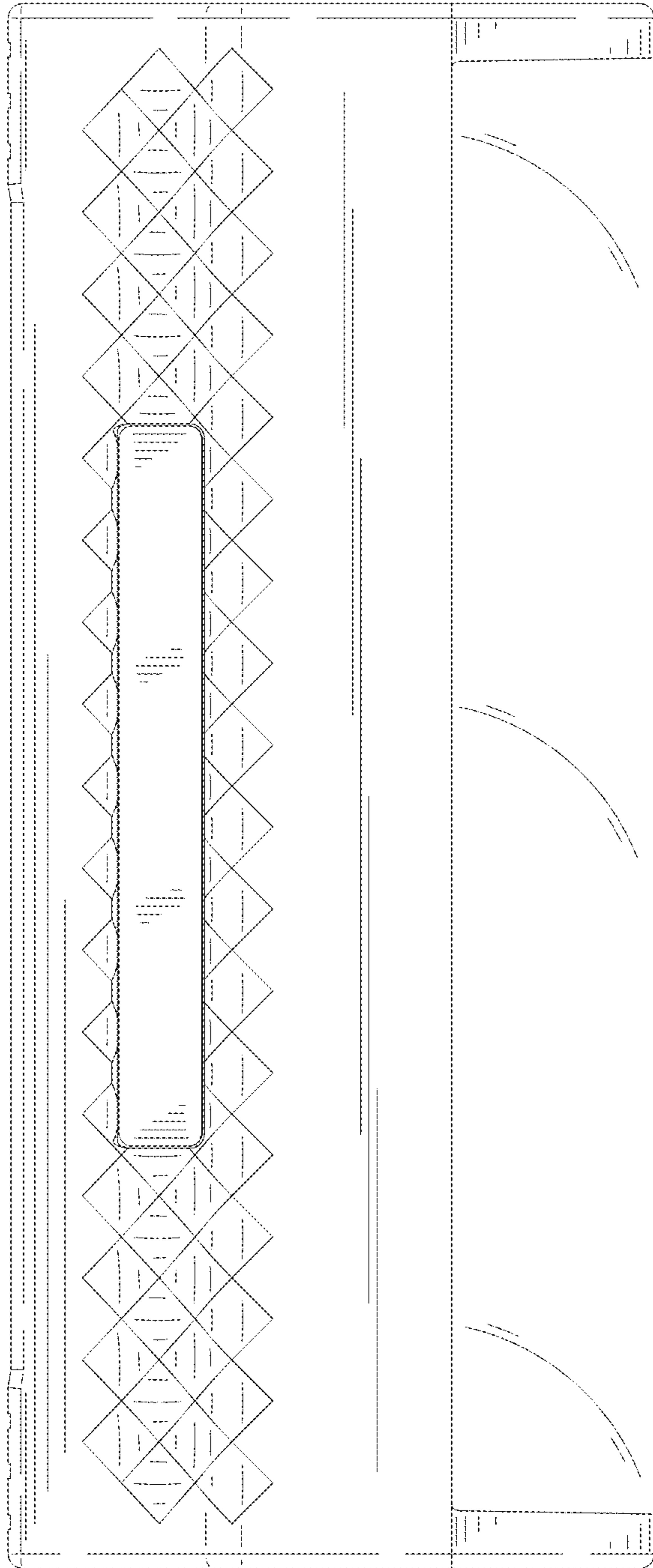


FIG. 4

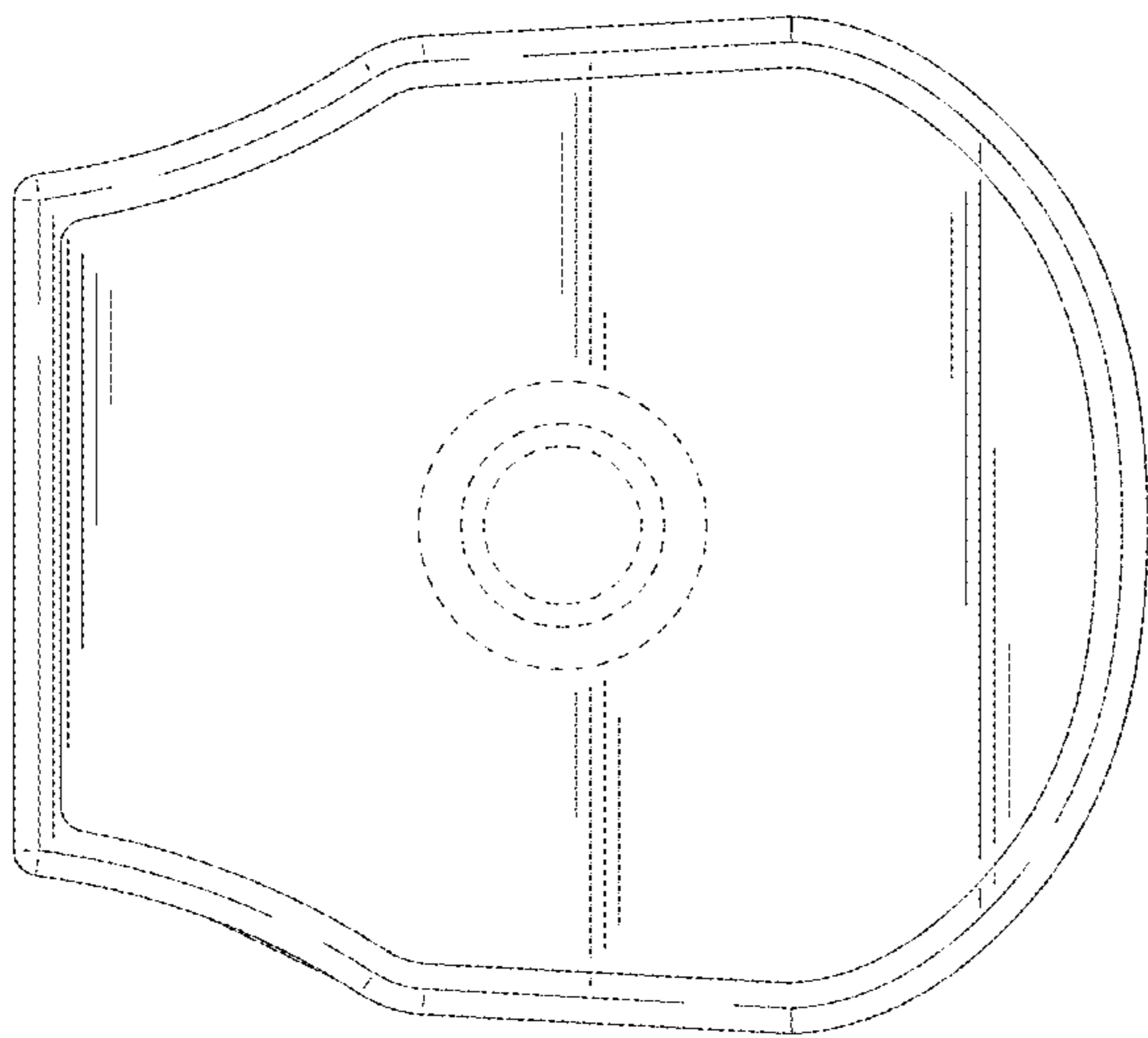


FIG. 5

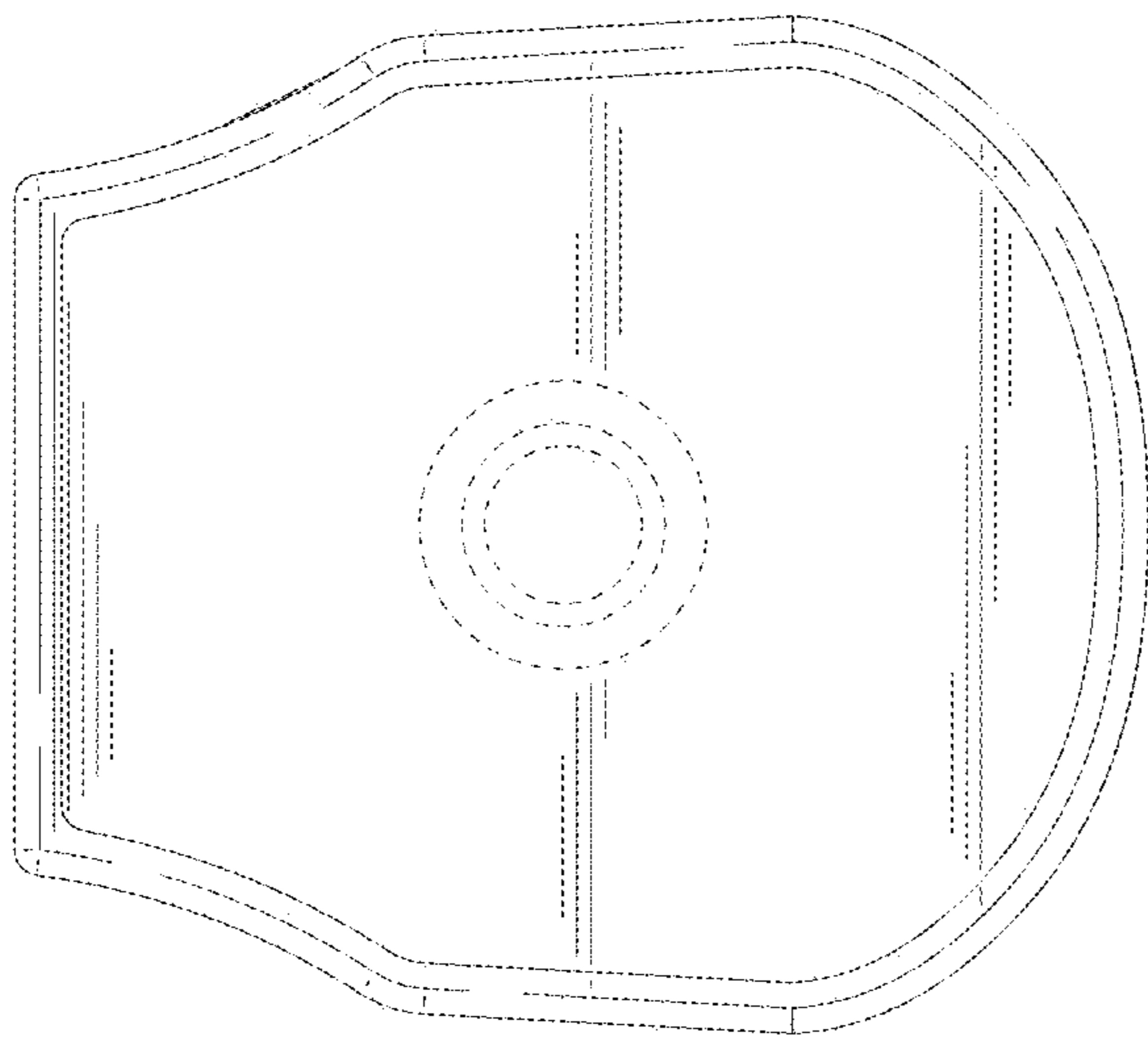


FIG. 6

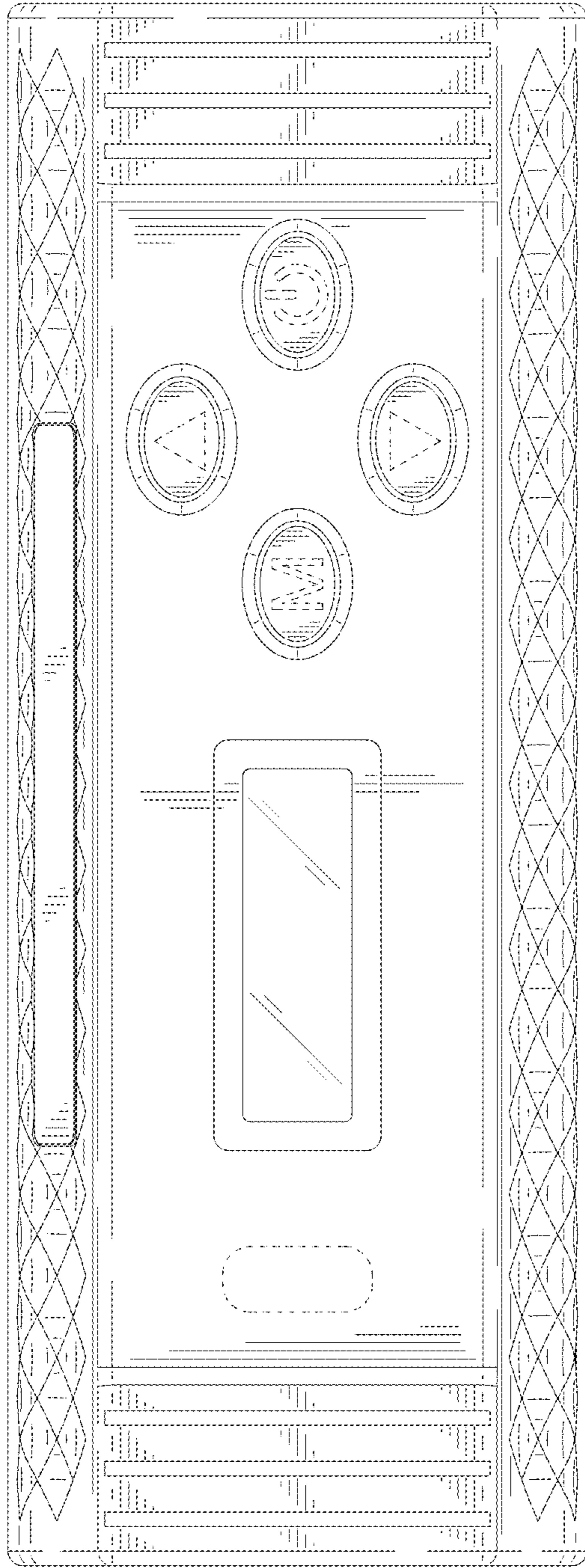


FIG. 7

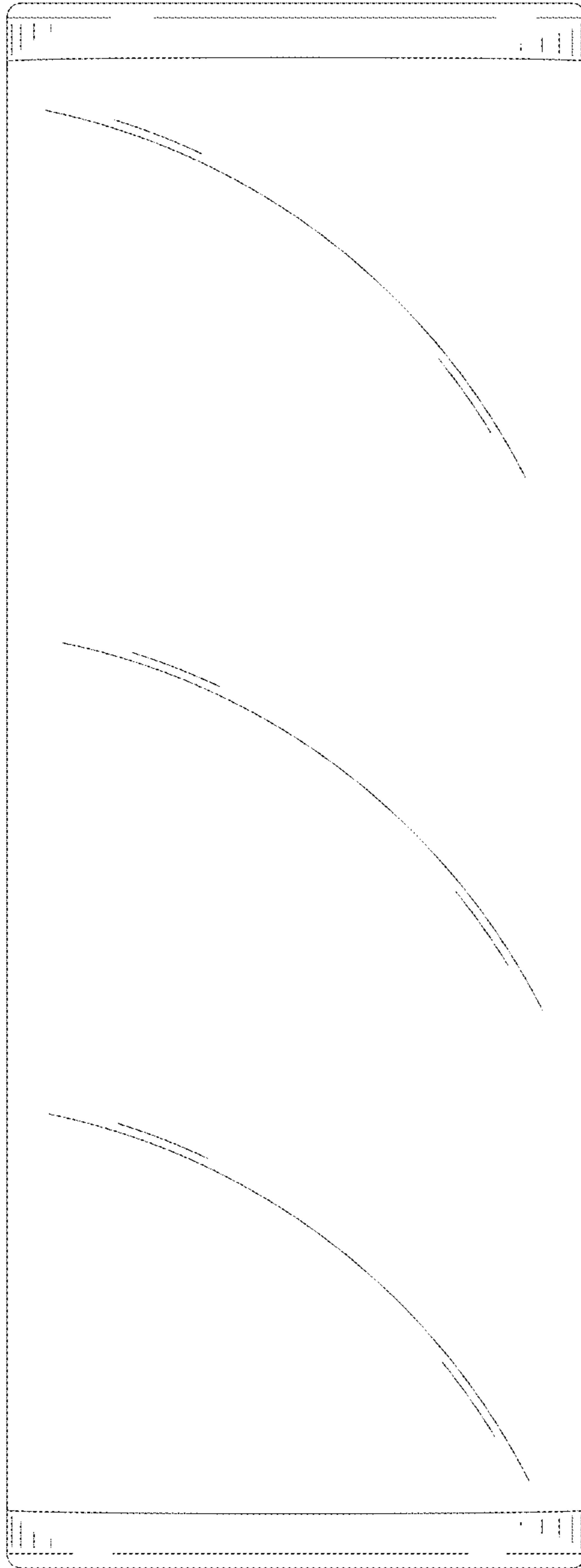


FIG. 8

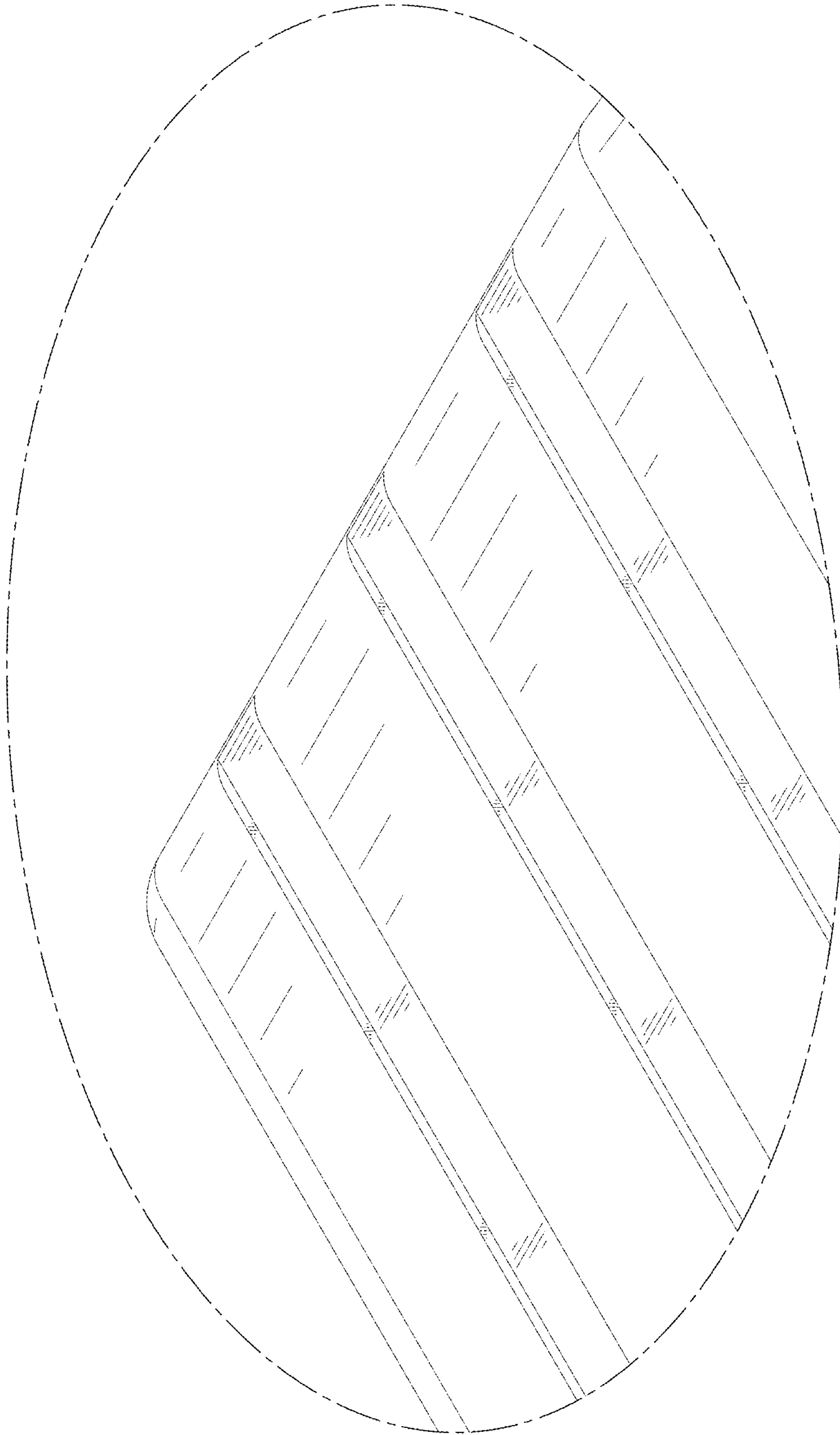


FIG. 9