

US0D1001998S

(12) **United States Design Patent**  
**Emery**

(10) **Patent No.: US D1,001,998 S**

(45) **Date of Patent: \*\* Oct. 17, 2023**

(54) **MASK**

8,695,603 B2 4/2014 Harold et al.  
D776,257 S \* 1/2017 Remer et al. .... D24/110.1  
(Continued)

(71) Applicant: **Benjamin Emery**, Casper, WY (US)

(72) Inventor: **Benjamin Emery**, Casper, WY (US)

**FOREIGN PATENT DOCUMENTS**

(\*\*) Term: **15 Years**

WO 2016047579 A1 3/2016

(21) Appl. No.: **29/695,829**

**OTHER PUBLICATIONS**

(22) Filed: **Jun. 21, 2019**

(51) **LOC (14) Cl.** ..... **29-02**

(52) **U.S. Cl.**  
USPC ..... **D24/110.1**

(58) **Field of Classification Search**  
USPC ..... D24/110-110.6, 127, 129; D29/110  
CPC ..... A61M 16/0616; A61M 16/0633; A61M  
16/06; A61M 16/0666; A61M 16/0683; A61M  
16/0605; A61M 16/0622; A61M 16/0644;  
A61M 16/0875; A61M 16/0816; A61M 16/08;  
B63C 11/205; B63C 11/16; B63C 11/186;  
B63C 11/12  
See application file for complete search history.

Benchmark Products, Fluidshield PFR95 N95 Particulate Filter Respirator & Surgical Mask. [http://www.benchmarkproducts.com/products/fluidshield-pfr95-n95-particulate-filter-respirator-surgical-mask\\_p31.html](http://www.benchmarkproducts.com/products/fluidshield-pfr95-n95-particulate-filter-respirator-surgical-mask_p31.html). Accessed Apr. 3, 2018. 3 pages.  
Lab Masks, Cleanroom Facemask with Headband. <http://www.valutek.com/Polypropylene-Facemask-Ear-Loop-and-Headband-3-Ply-7x3-5-White>. Accessed Apr. 3, 2018. 3 pages.  
SmartPractice, Critical Cover PFL with Magic Arch Single Band Masks. <https://www.smartpractice.com/shop/wa/styled=S16503&m=SPC&cid=509630>. Accessed Apr. 3, 2018. 2 pages.  
U.S. Appl. No. 16/449,204 filed Jun. 21, 2019. First named inventor: Emery.

(Continued)

*Primary Examiner* — Samantha Wood  
*Assistant Examiner* — Aula Soroush  
(74) *Attorney, Agent, or Firm* — Santangelo Law Offices, P.C.

(56) **References Cited**

**U.S. PATENT DOCUMENTS**

2,012,505	A	8/1935	Goldsmith	
2,634,725	A	4/1953	Lo Presti	
3,971,369	A	7/1976	Aspelin et al.	
4,323,063	A	4/1982	Fisichella	
4,662,005	A	5/1987	Grier-Idris	
4,688,566	A	8/1987	Boyce	
5,237,986	A	8/1993	Seppala et al.	
5,322,061	A	6/1994	Brunson	
5,374,458	A	12/1994	Burgio	
5,699,791	A	12/1997	Sukiennik et al.	
5,724,677	A	3/1998	Bryant et al.	
5,735,270	A	4/1998	Bayer	
6,148,817	A	11/2000	Bryant et al.	
6,460,539	B1*	10/2002	Japuntich et al. ....	A62B 23/025 128/205.12
7,044,131	B2	5/2006	Griesbach, III et al.	
7,077,139	B2	7/2006	Amante et al.	
7,296,575	B1	11/2007	Radney	
8,196,583	B2	6/2012	Radney	

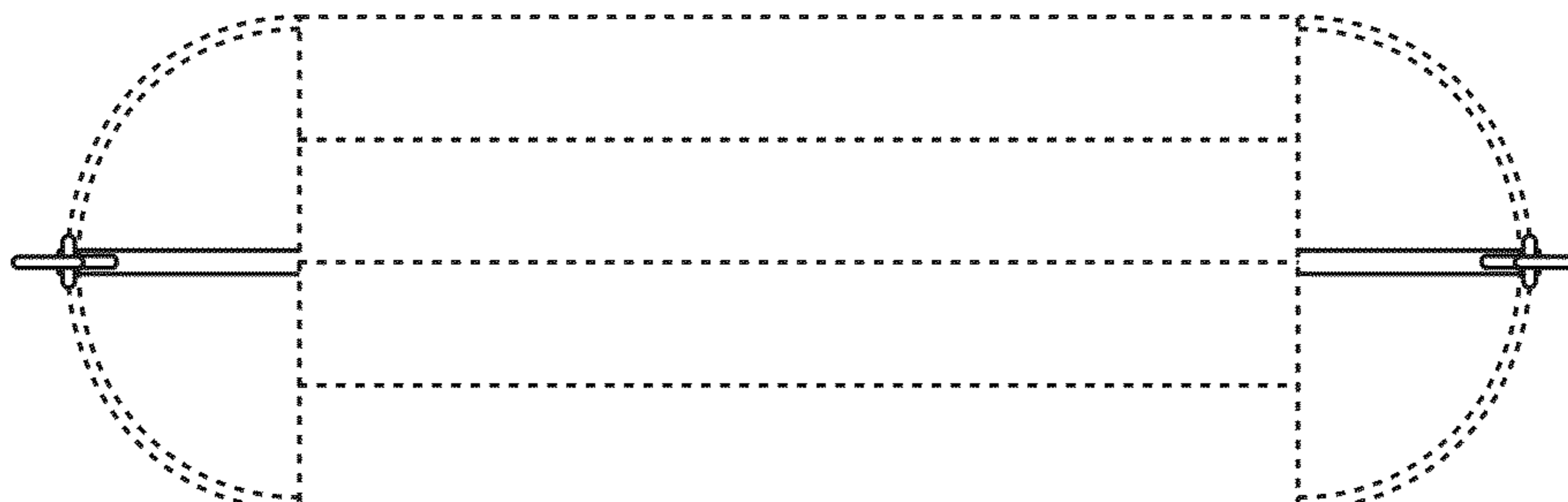
(57) **CLAIM**

The ornamental design for a mask design as shown and described.

**DESCRIPTION**

FIG. 1 is a front view of a mask showing my new design;  
FIG. 2 is a back view thereof;  
FIG. 3 is a right side view thereof;  
FIG. 4 is a left side view thereof;  
FIG. 5 is a top plan view thereof;  
FIG. 6 is a bottom plan view thereof.  
The broken lines in the drawings illustrate portions of the mask that form no part of the claimed design.

**1 Claim, 6 Drawing Sheets**



(56)

**References Cited**

## U.S. PATENT DOCUMENTS

D778,431 S \* 2/2017 Glickfield ..... D24/110.1  
D785,780 S \* 5/2017 Scarbrough et al. .... D24/110.1  
D822,195 S \* 7/2018 Kwong et al. .... D24/110.1  
D837,970 S \* 1/2019 Henderson et al. .... D24/110.1  
D854,144 S \* 7/2019 Bowen ..... D24/110.1  
10,610,494 B2\* 4/2020 Fugh-Berman ..... A61K 9/0073  
D885,559 S \* 5/2020 Gabriel ..... D29/108  
D899,585 S \* 10/2020 Judson et al. .... D24/110.1  
D925,723 S \* 7/2021 Guo et al. .... D24/110.1  
D925,724 S \* 7/2021 Judson et al. .... D24/110.1  
D928,304 S \* 8/2021 Yu ..... D24/110.1  
11,122,843 B2 9/2021 Emery  
11,213,080 B2\* 1/2022 Henderson ..... A62B 23/025  
2004/0216744 A1 11/2004 Amante et al.  
2006/0130841 A1 6/2006 Spence et al.  
2006/0283454 A1 12/2006 Delaney et al.  
2008/0105261 A1 5/2008 Harold et al.  
2011/0180078 A1 7/2011 McKinley  
2012/0000473 A1 1/2012 Shigematsu et al.  
2013/0233325 A1 9/2013 Smaldone

## OTHER PUBLICATIONS

U.S. Appl. No. 16/449,204 filed Jun. 21, 2019. First named inventor: Emery. Notice of Allowance dated Aug. 3, 2021. 12 pages.

U.S. Appl. No. 16/449,204 filed Jun. 21, 2019. First named inventor: Emery. Office Action dated Jan. 13, 2021. 14 pages.

U.S. Appl. No. 62/793,741, filed Jan. 17, 2019, Inventor Benjamin Emery.

Young's Dental, Surgical Molded Face Masks with Elastic Headband. [http://www.youngsdental.com/product\\_info.php?products\\_id=178](http://www.youngsdental.com/product_info.php?products_id=178). Accessed Apr. 3, 2018. 2 pages.

\* cited by examiner

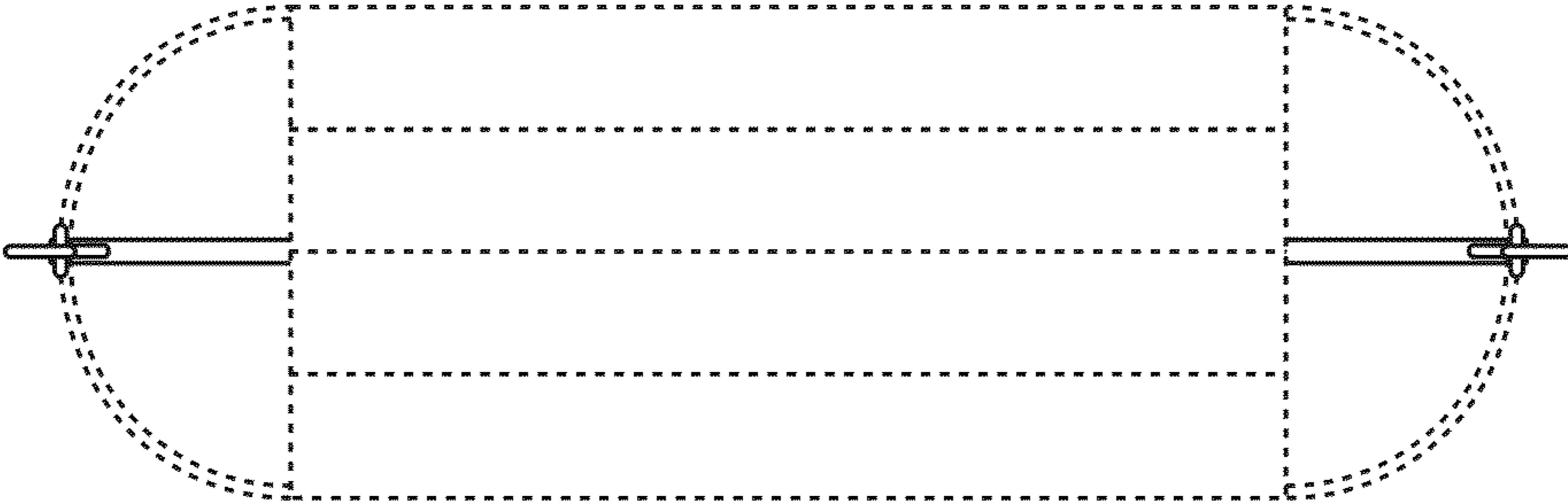


FIG. 1

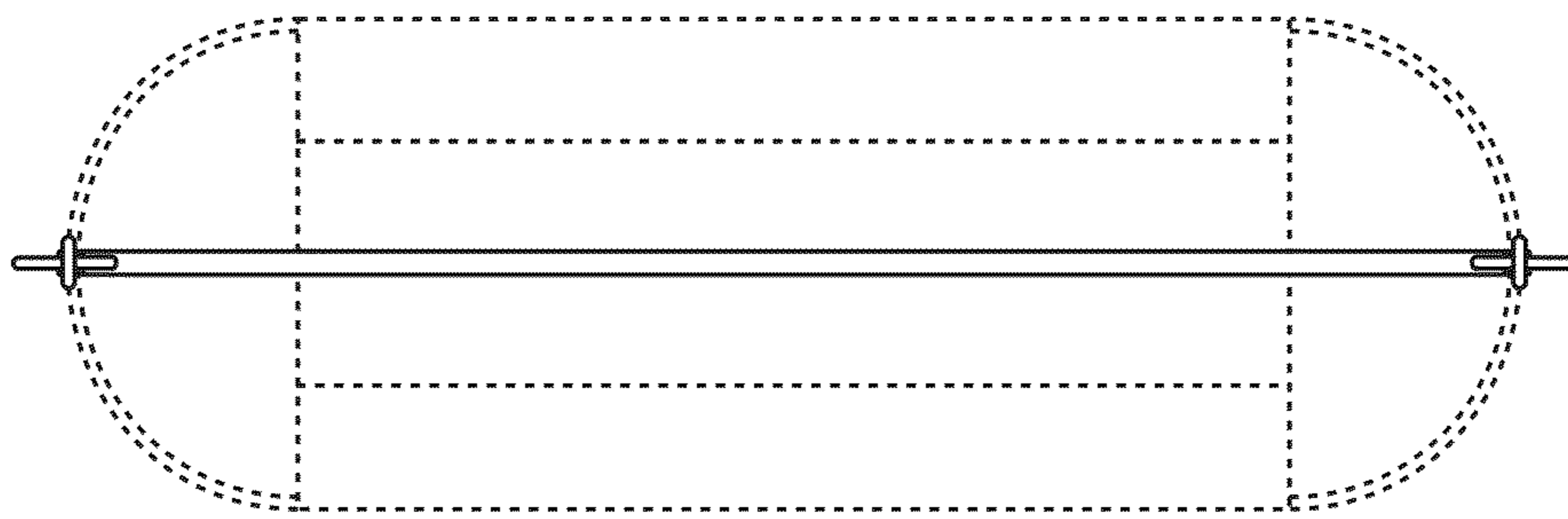
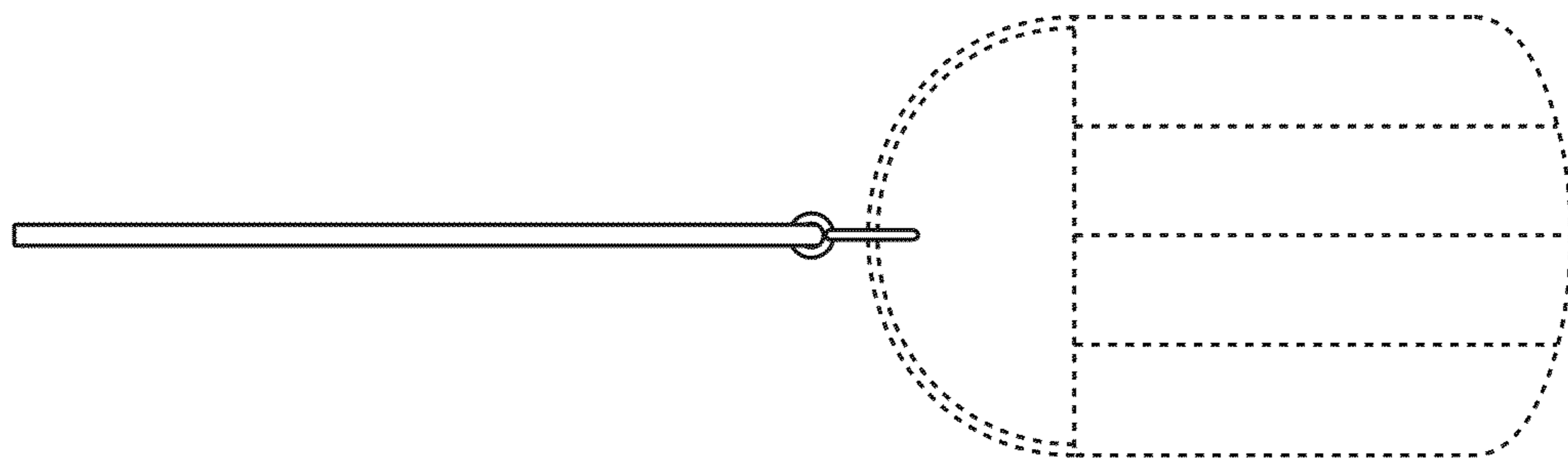


FIG. 2



**FIG. 3**

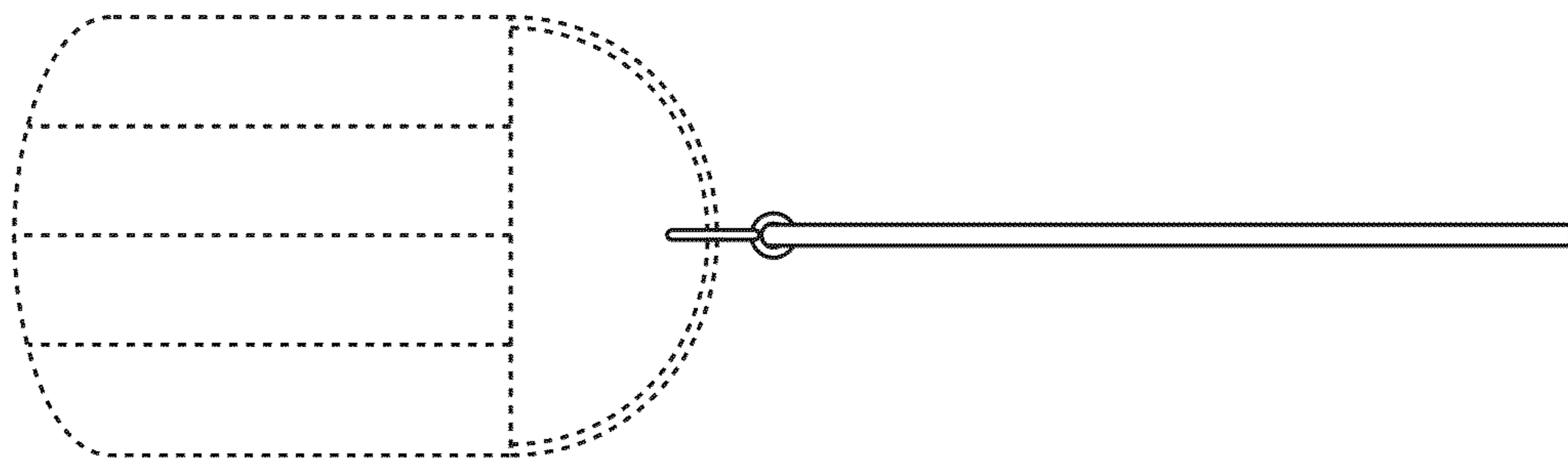


FIG. 4

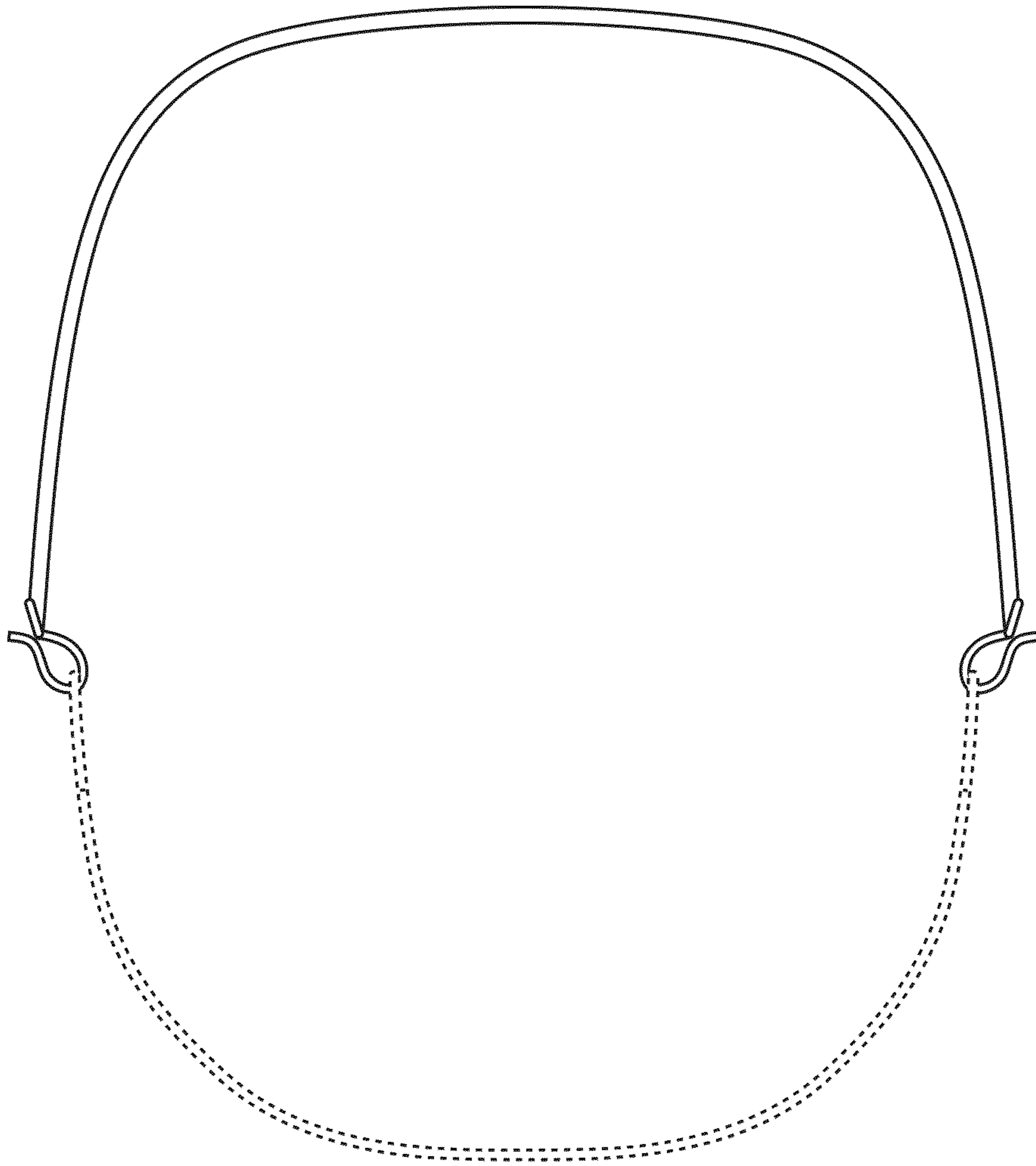


FIG. 5

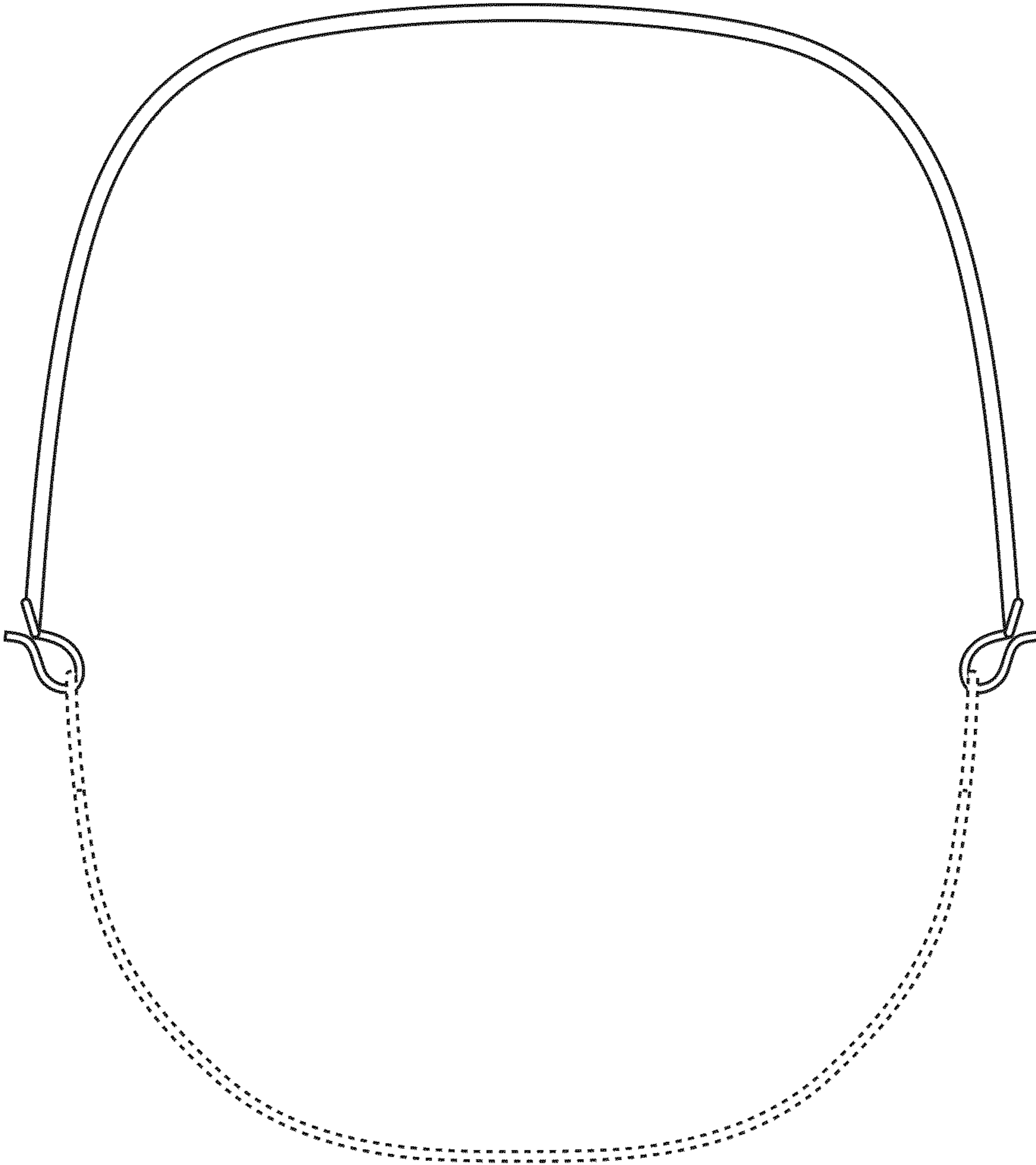


FIG. 6