



US0D1001993S

(12) **United States Design Patent**
Crowther

(10) **Patent No.:** **US D1,001,993 S**

(45) **Date of Patent:** **** Oct. 17, 2023**

(54) **MEDICATION DELIVERY DEVICE**

(71) Applicant: **SOOTHING SOLUTIONS LIMITED,**
Stamullen (IE)

(72) Inventor: **Sinéad Crowther,** Stamullen (IE)

(73) Assignee: **SOOTHING SOLUTIONS LIMITED,**
Stamullen (IE)

(**) Term: **15 Years**

(21) Appl. No.: **29/743,431**

(22) Filed: **Jul. 21, 2020**

(51) **LOC (14) Cl.** **24-01**

(52) **U.S. Cl.**
USPC **D24/100**

(58) **Field of Classification Search**
USPC D24/100-104
CPC A61K 9/4808; A23K 50/40
See application file for complete search history.

(56) **References Cited**

U.S. PATENT DOCUMENTS

- 587,327 A * 8/1897 Planten B65D 85/42
424/455
- D364,454 S * 11/1995 Schurig D24/104
- D369,210 S * 4/1996 Schurig D24/104
- D370,725 S * 6/1996 Schurig D24/104
- D377,087 S * 12/1996 Schurig D24/104
- D380,826 S * 7/1997 Sybilensky D24/104

- D411,296 S * 6/1999 Waymel D9/696
- D447,555 S * 9/2001 Richardson D24/104
- D931,526 S * 9/2021 Stern D9/707
- D977,623 S * 2/2023 Micheaud D24/104

* cited by examiner

Primary Examiner — Charles D Hanson

(74) *Attorney, Agent, or Firm* — SHORE IP GROUP,
PLLC

(57) **CLAIM**

The ornamental design for medication delivery device, as shown and described.

DESCRIPTION

FIG. 1 is a front perspective view of a medication delivery device, in accordance with my new design.

FIG. 2 is a front perspective view of the medication delivery device shown in FIG. 1, shown with a gel containing a medication and/or a nutraceutical applied to the device.

FIG. 3 is a front elevation view of the medication delivery device shown in FIG. 1, the rear elevation view being identical thereto.

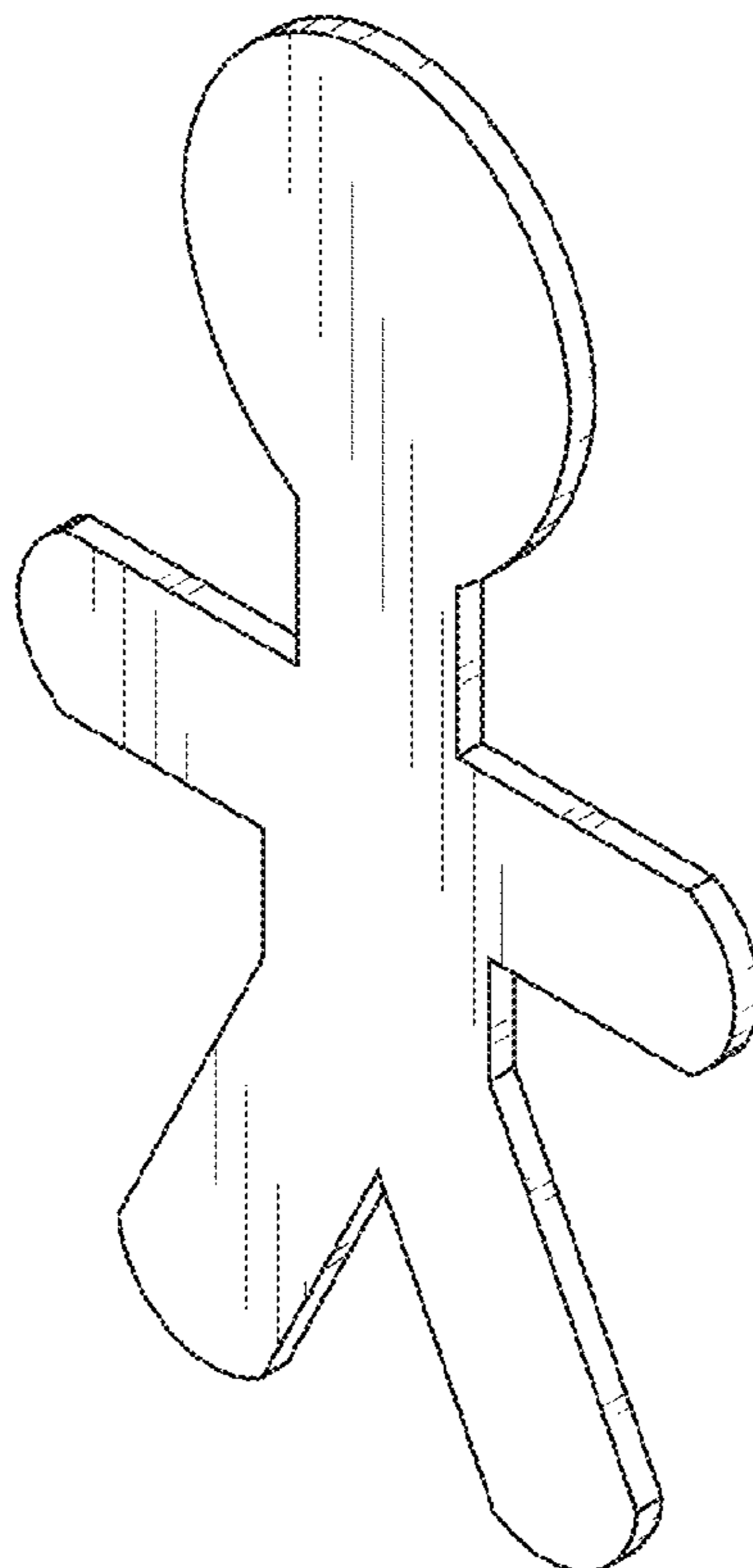
FIG. 4 is a side elevation view, taken from the right side of FIG. 3, of the medication delivery device shown in FIG. 1, the left side elevation view being identical thereto.

FIG. 5 is top plan view of the medication delivery device shown in FIG. 1; and,

FIG. 6 is a bottom plan view of the medication delivery device shown in FIG. 1.

The broken lines illustrate environmental structure which forms no part of the claimed design.

1 Claim, 2 Drawing Sheets



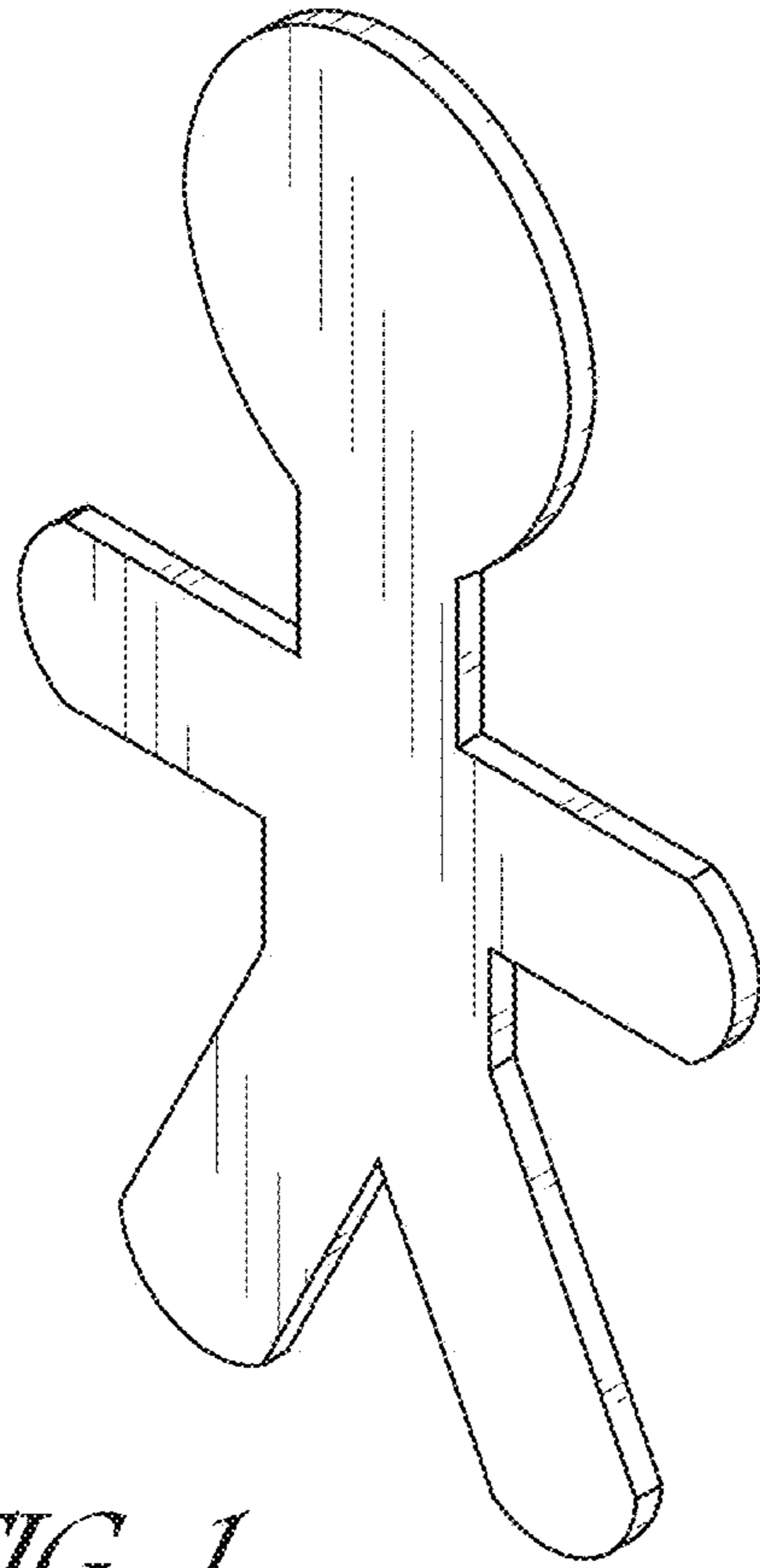


FIG. 1

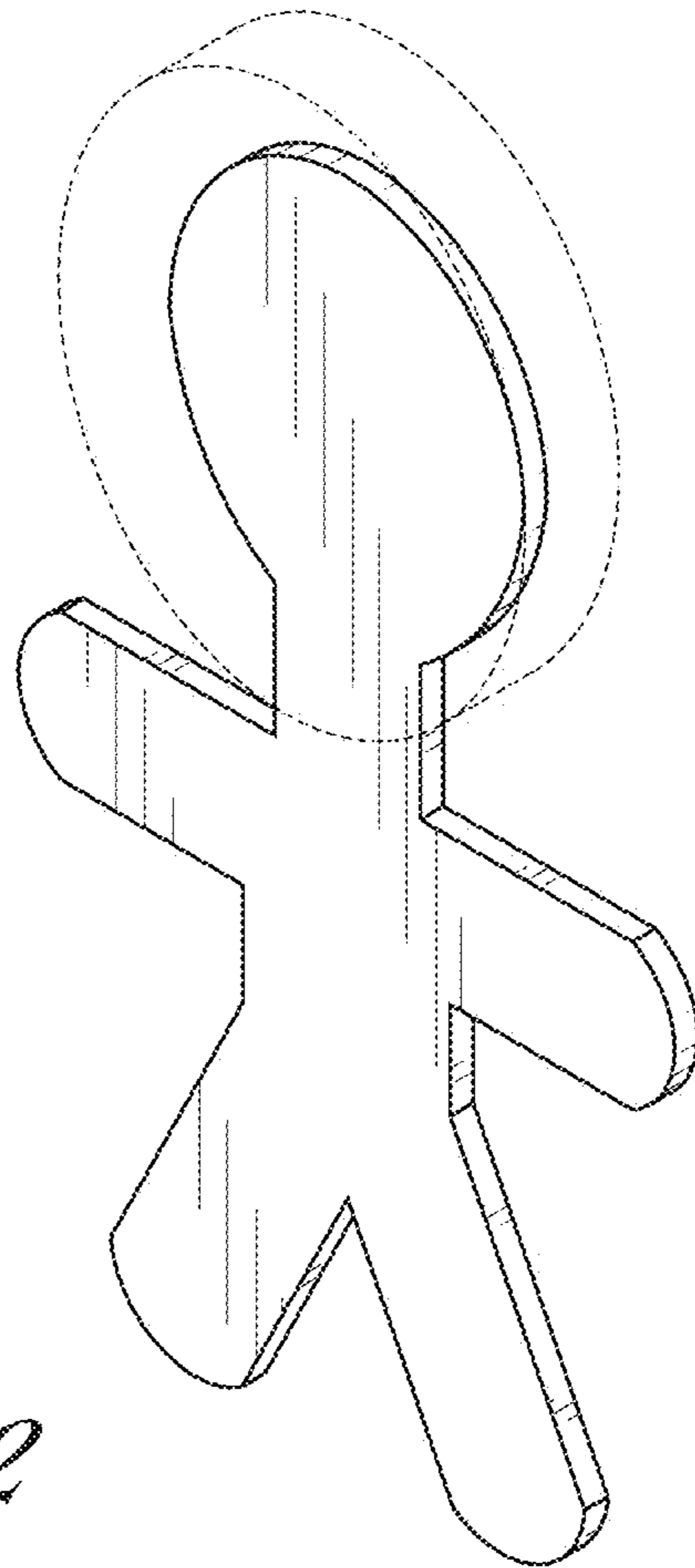


FIG. 2

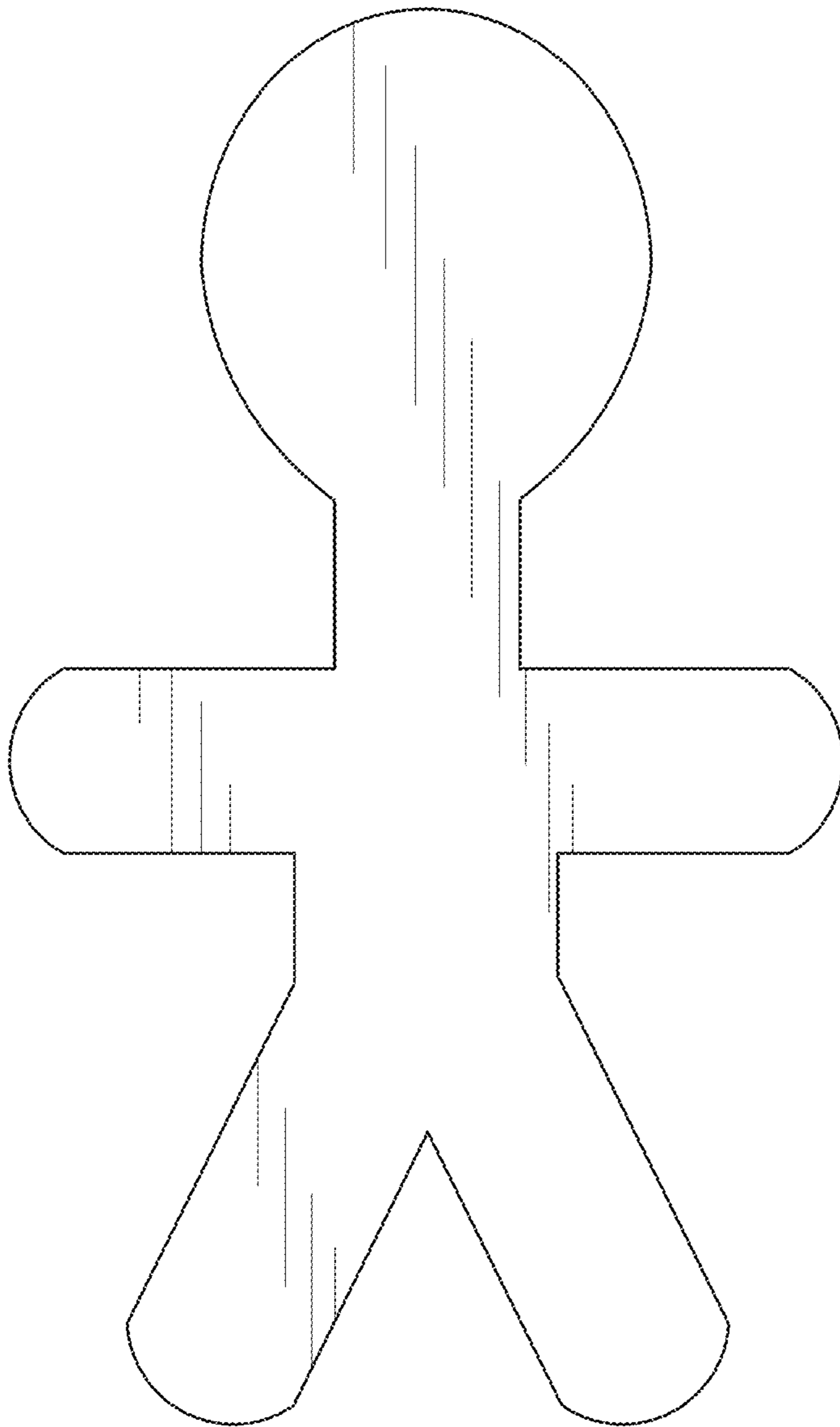


FIG. 3



FIG. 4



FIG. 5

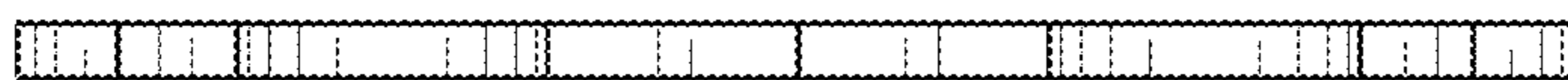


FIG. 6

UNITED STATES PATENT AND TRADEMARK OFFICE
CERTIFICATE OF CORRECTION

PATENT NO. : D1,001,993 S
APPLICATION NO. : 29/743431
DATED : October 17, 2023
INVENTOR(S) : Sinéad Crowther

Page 1 of 1

It is certified that error appears in the above-identified patent and that said Letters Patent is hereby corrected as shown below:

On the Title Page

Please insert Item (30) to read as follows:

-- Foreign Priority: European Patent Office (EPO) 007547773; 01/23/2020 --

Signed and Sealed this
Twenty-first Day of November, 2023



Katherine Kelly Vidal
Director of the United States Patent and Trademark Office