



US0D1001977S

(12) **United States Design Patent** (10) **Patent No.:** **US D1,001,977 S**  
**Viens** (45) **Date of Patent:** **\*\* Oct. 17, 2023**

(54) **HOSE ADAPTER**

(71) Applicant: **Timothy N Viens**, Port orange, FL (US)

(72) Inventor: **Timothy N Viens**, Port orange, FL (US)

(\*\*) Term: **15 Years**

(21) Appl. No.: **29/795,784**

(22) Filed: **Jun. 21, 2021**

(51) **LOC (14) Cl.** ..... **23-01**

(52) **U.S. Cl.**  
USPC ..... **D23/262**

(58) **Field of Classification Search**

USPC ..... D23/213, 223, 229, 233, 249, 259-269,  
D23/365, 386, 387, 388, 397; D8/354,  
D8/382, 396; D7/312, 313, 619.1;  
D24/112, 129; D9/453, 516  
CPC ... F16L 1/00; F16L 1/036; F16L 11/00; F16L  
11/122; F16L 13/00; F16L 13/002; F16L  
13/146; F16L 15/00; F16L 23/00; F16L  
23/14; F16L 23/0283; F16L 25/0009;  
F16L 37/00; F16L 41/00; F16L 41/02;  
F16L 41/025; F16L 43/00; F16L 47/26;  
F16L 47/32; F16L 17/00; F16L 17/02;  
F16L 17/025; F16L 17/035; F16L 17/06;  
F16L 17/063; F16L 17/067; F16L 17/073;  
F16L 17/08; F16L 21/00; F16L 21/022;  
F16L 33/2076; A47L 9/02; A47L 9/0416;  
A61M 39/00; A61M 39/223; F16B 2/00;  
F16B 2/08; F16B 7/00; F16B 7/04; F16B  
7/0486; F16B 7/0493; F16B 2012/103;  
F16B 12/40; F16B 21/00; F16B 21/02;  
F16B 23/00; F16B 23/0015; F16B  
23/0046; F16B 35/00; F16B 35/044;  
F16B 37/00; F21V 35/00; G09B 25/04  
See application file for complete search history.

(56) **References Cited**

U.S. PATENT DOCUMENTS

D227,763 S \* 7/1973 Hand ..... D23/262  
5,626,369 A \* 5/1997 Shifman ..... F16L 33/2076  
285/38  
D441,436 S \* 5/2001 Chao ..... D23/262  
6,565,398 B1 5/2003 Walczak  
7,150,665 B1 12/2006 Soreide  
D569,955 S \* 5/2008 Chen ..... D23/262  
D583,026 S \* 12/2008 Dirneder ..... D23/262  
D587,118 S \* 2/2009 Sadiq ..... D9/516  
D599,667 S \* 9/2009 Gedmin ..... D7/619.1  
D845,126 S \* 4/2019 Prozumenshchikov ..... D9/453

OTHER PUBLICATIONS

Seachoice Outboard Flush Kit, <https://www.amazon.com/Outboard-Mercury-Mariner-Seachoice-Products/dp/B000XBGYWE/>.  
Seachoice 18411 Outboard Flush Kit, <https://www.amazon.com/MERCURY-YAMAHA-FLUSH-VALVE-SYSTEM/dp/B000N9MHBS/>.  
Atlantis A8582 Standard PWC Flush Kit, <https://www.amazon.com/Atlantis-A8582-Standard-PWC-Flush/dp/B00230HTKE/>.

\* cited by examiner

*Primary Examiner* — Gino Colan  
*Assistant Examiner* — David OBrien

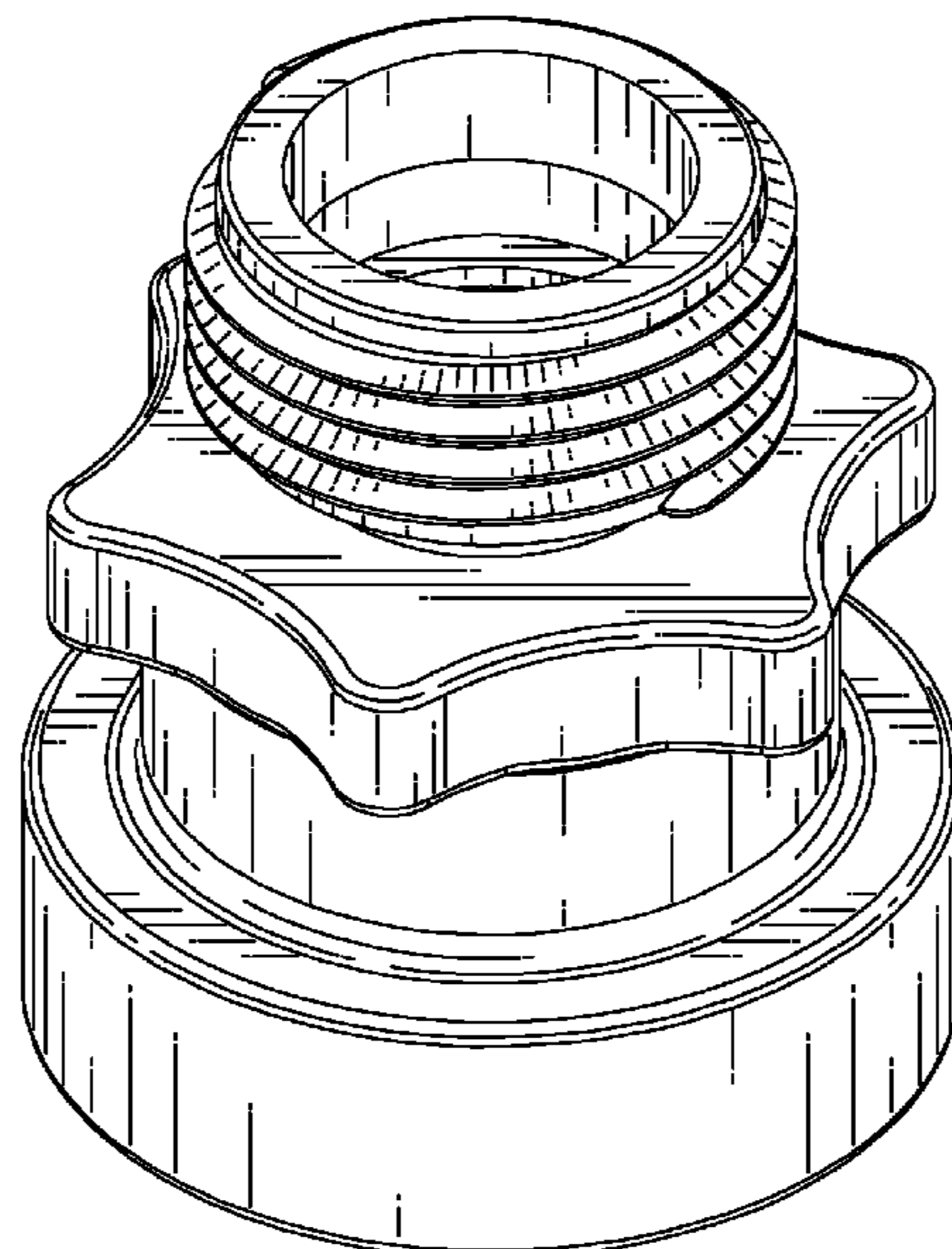
(57) **CLAIM**

The ornamental design for a hose adapter, as shown and described.

**DESCRIPTION**

FIG. 1 is a perspective view of a hose adapter showing my new design;  
FIG. 2 is a side elevational view thereof;  
FIG. 3 is a top plan view thereof;  
FIG. 4 is a bottom plan view thereof;  
FIG. 5 is a top side view thereof; and,  
FIG. 6 is a bottom side view thereof.

**1 Claim, 6 Drawing Sheets**



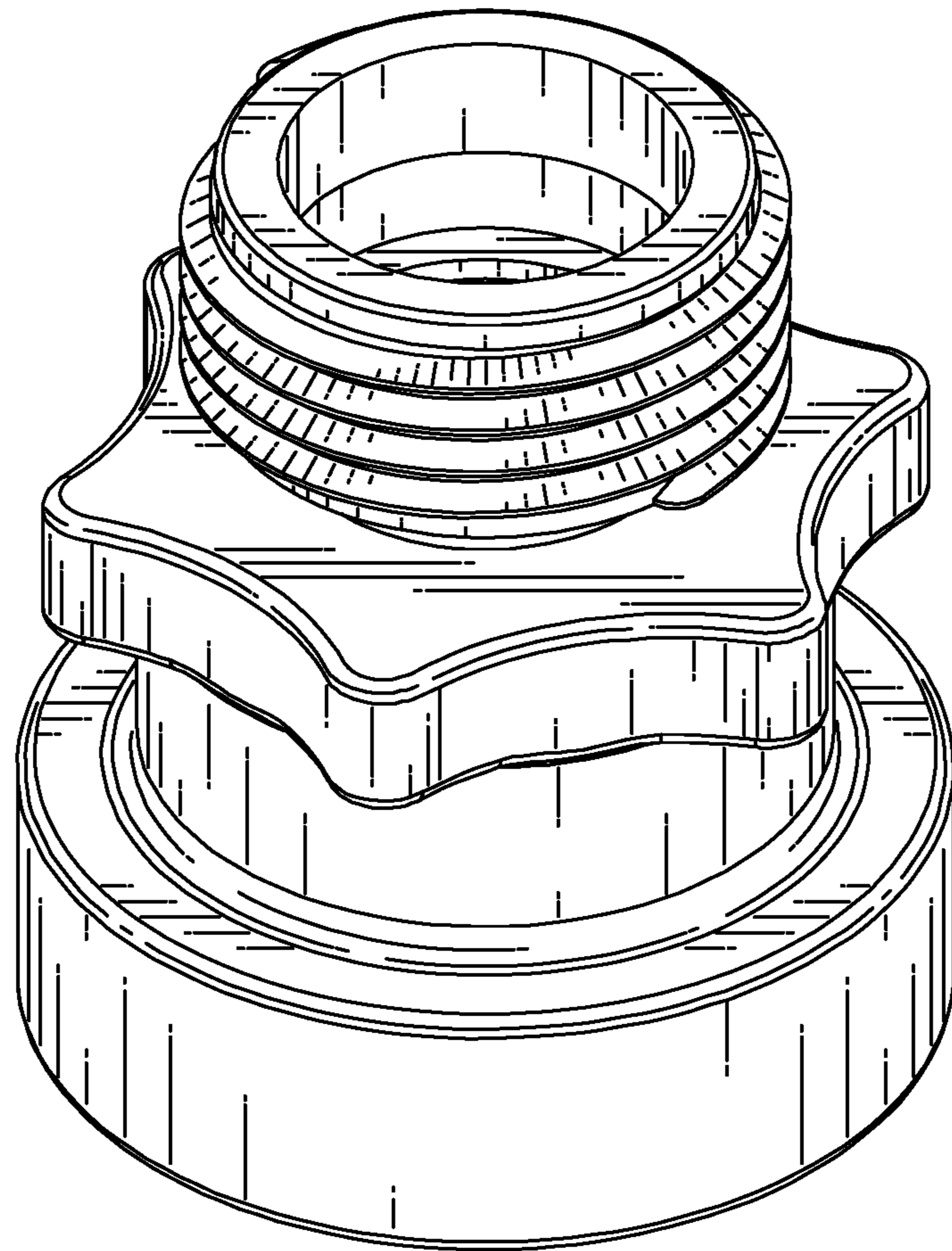


FIG. 1

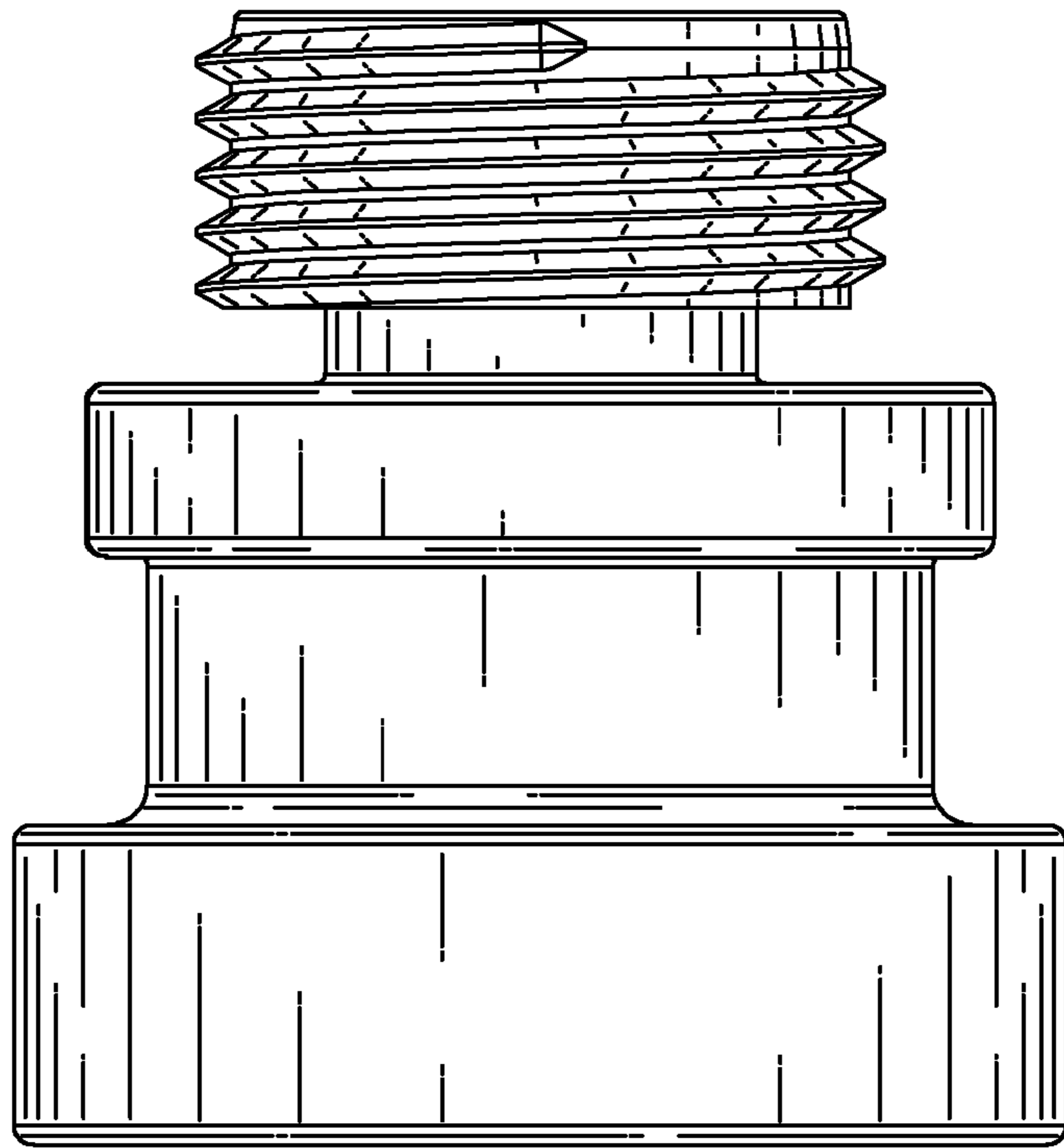


FIG. 2

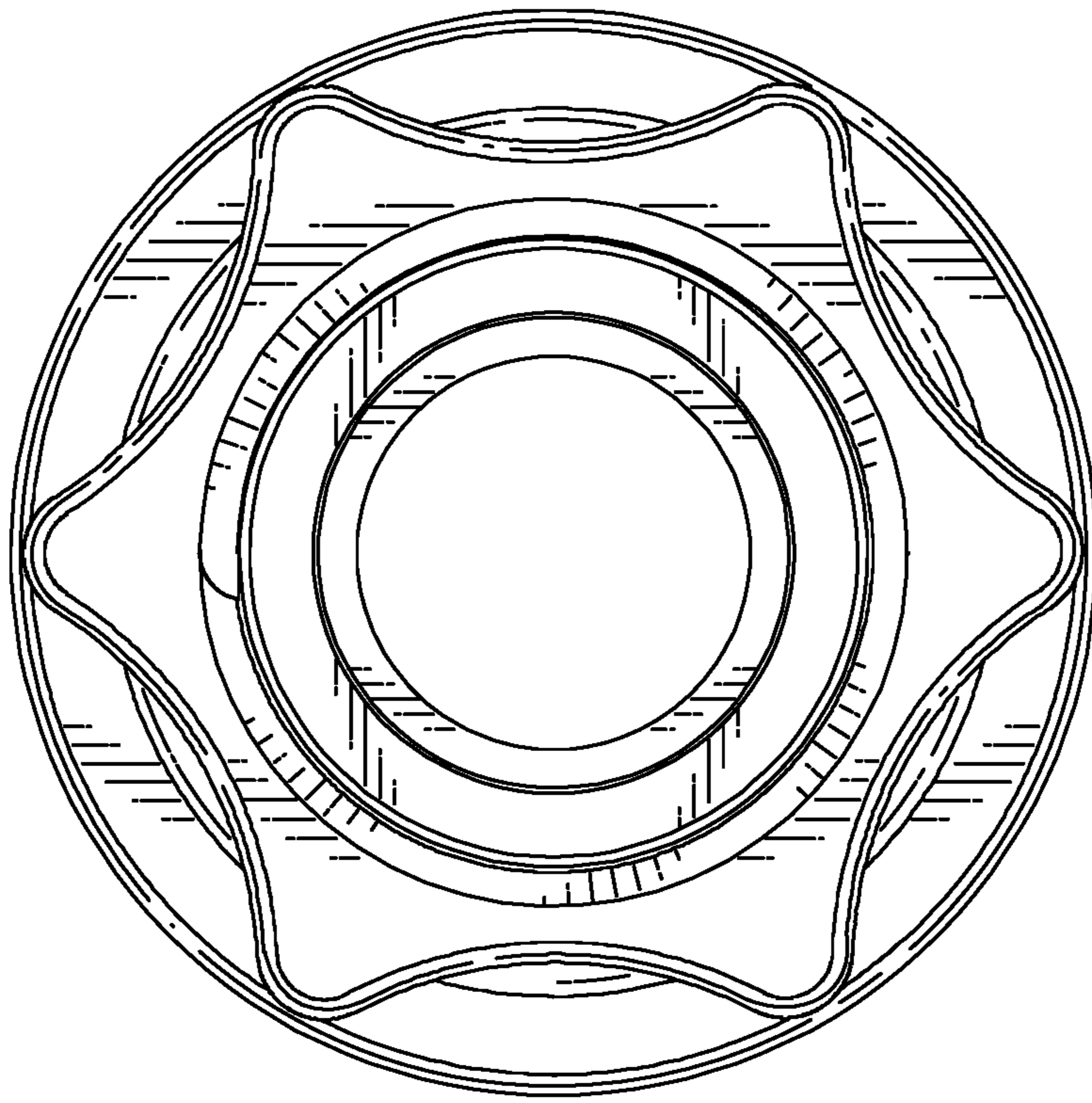


FIG. 3

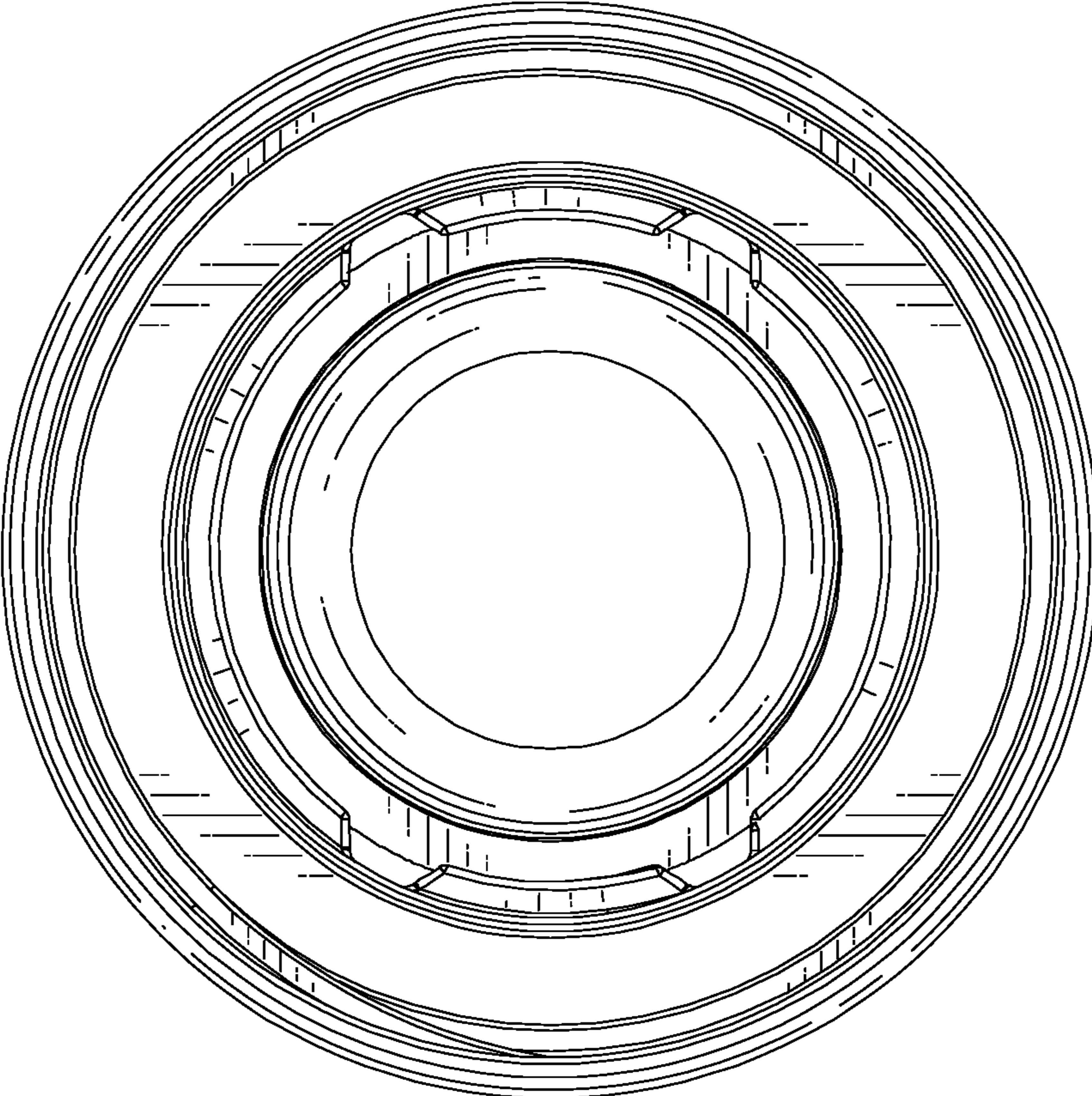


FIG. 4

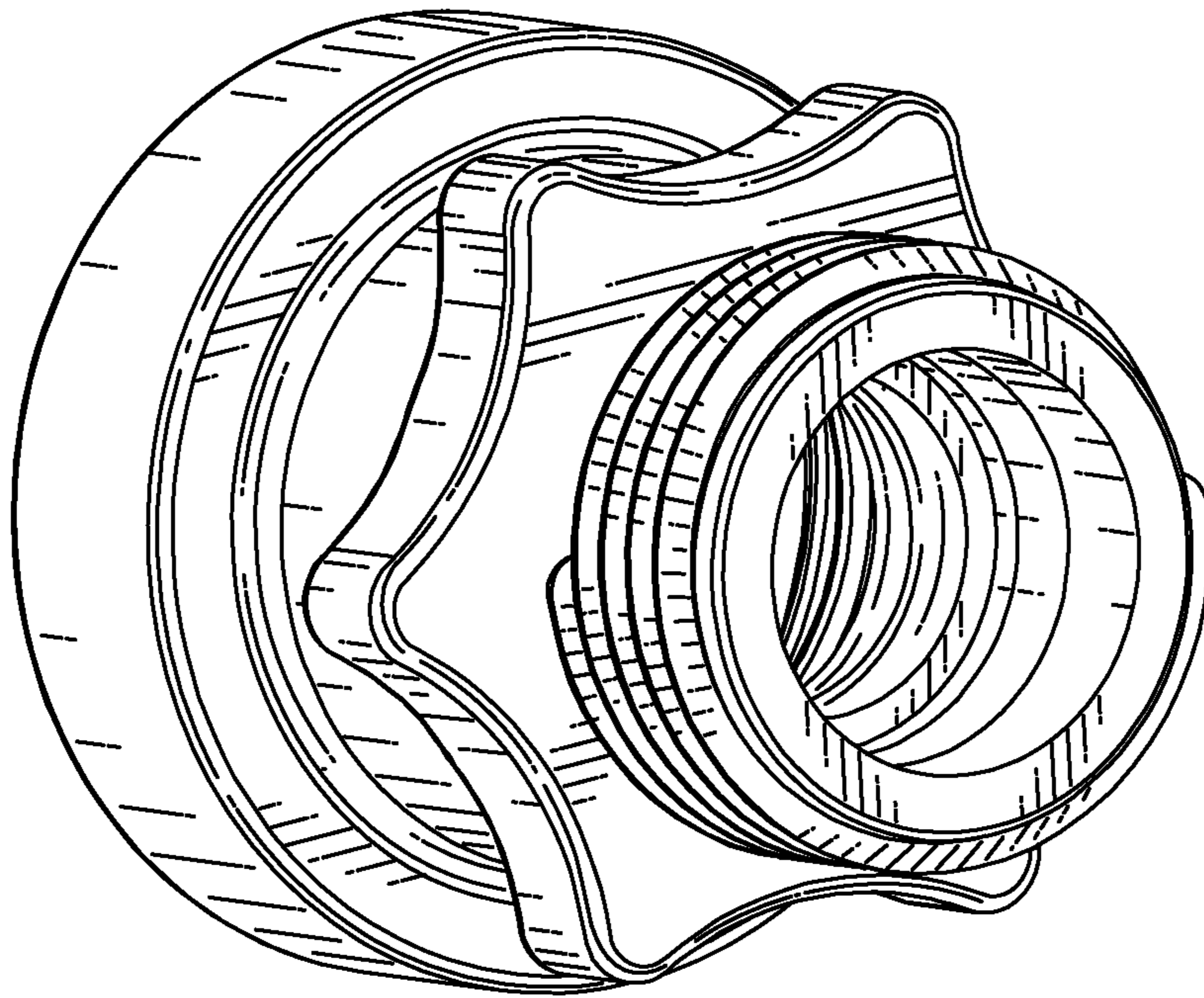


FIG. 5

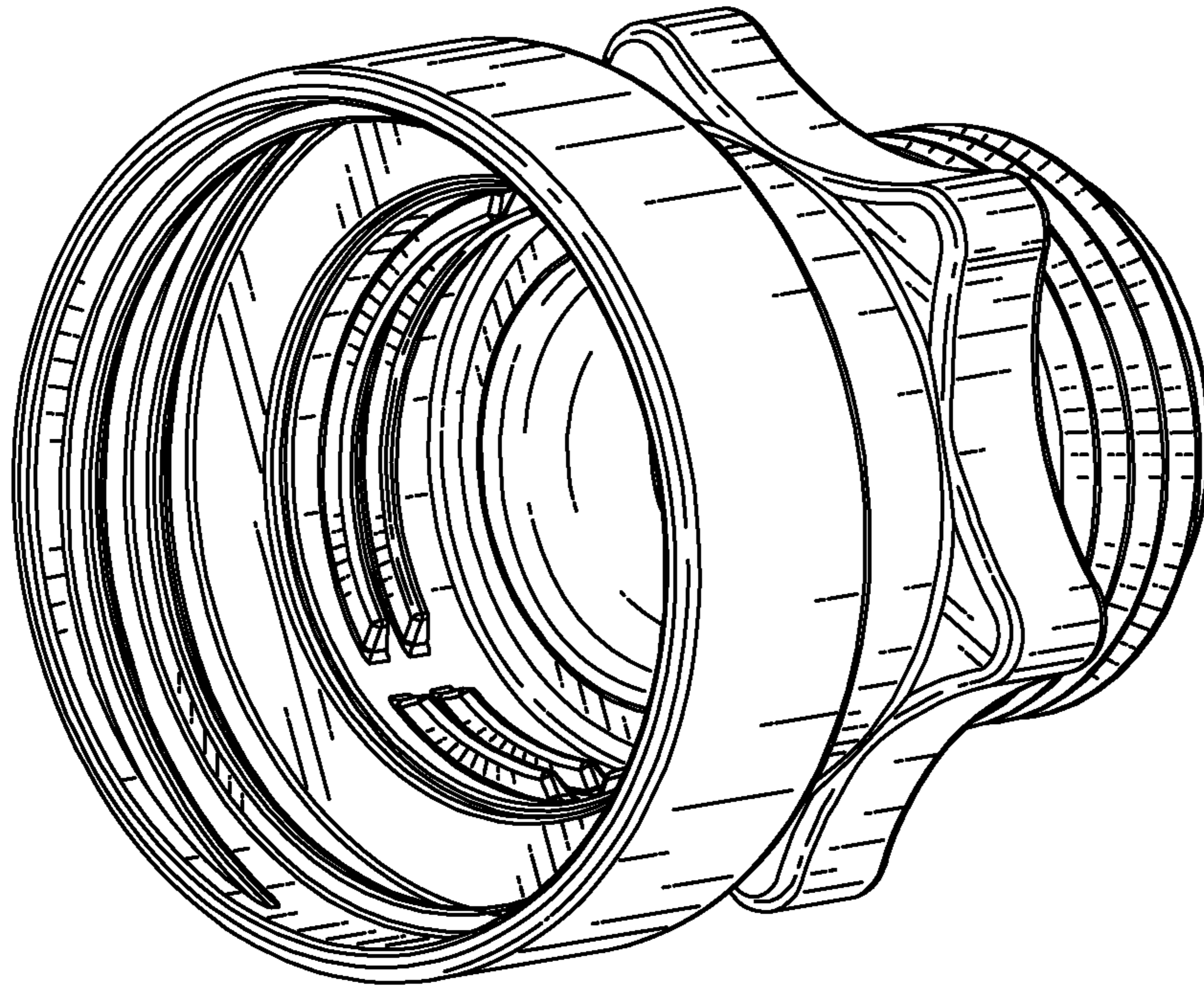


FIG. 6