



US0D1001864S

(12) **United States Design Patent**
Rudolph et al.

(10) **Patent No.:** **US D1,001,864 S**

(45) **Date of Patent:** **** Oct. 17, 2023**

(54) **CAMERA HOUSING**

(71) Applicant: **Teledyne FLIR Commercial Systems, Inc.**, Goleta, CA (US)

(72) Inventors: **Nathan Rudolph**, Goleta, CA (US); **John C. Day**, Goleta, CA (US); **Kai Moncino**, Goleta, CA (US)

(73) Assignee: **Teledyne FLIR Commercial Systems, Inc.**, Goleta, CA (US)

(**) Term: **15 Years**

(21) Appl. No.: **29/774,562**

(22) Filed: **Mar. 17, 2021**

(51) **LOC (14) Cl.** **16-01**

(52) **U.S. Cl.**
USPC **D16/203**

(58) **Field of Classification Search**
USPC D10/46, 65, 70, 104.1, 106.6, 106.7,
D10/109.1, 109.2; D14/203.1; D16/200,
D16/202, 203, 213, 218, 219
(Continued)

(56) **References Cited**

U.S. PATENT DOCUMENTS

D634,345 S * 3/2011 Kim D16/203
D634,347 S * 3/2011 Park D16/203
(Continued)

FOREIGN PATENT DOCUMENTS

CN 305189245 * 5/2019
CN 305196621 * 6/2019
(Continued)

OTHER PUBLICATIONS

Teledyne FLIR Quasar Premium Bullet, earliest pictured May 3, 2022, [online], [site visited Mar. 22, 2023]. Available via Internet,

<URL:https://www.flir.com/products/quasar-premium-bullet/?vertical=security&segment=solutions> (Year: 2022).*

(Continued)

Primary Examiner — Sanjeev Paul

Assistant Examiner — Breana Copeland

(74) *Attorney, Agent, or Firm* — Haynes and Boone, LLP

(57) **CLAIM**

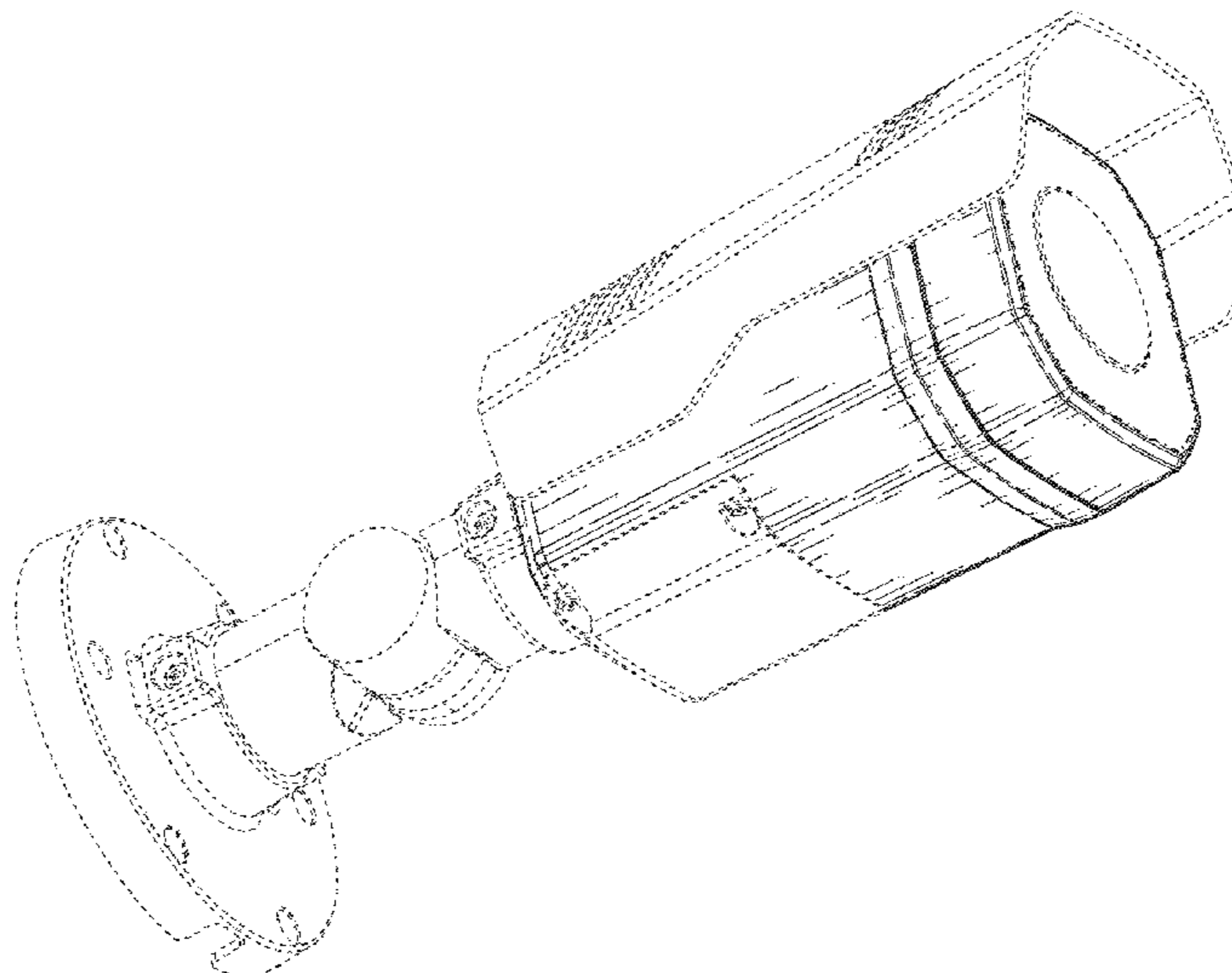
The ornamental design for a camera housing, as shown and described.

DESCRIPTION

FIG. 1 is a rear-left-top perspective view of a camera housing embodying the new design and shown with an optional sunshield and mounting hardware;
FIG. 2 is a front-right-bottom perspective view thereof;
FIG. 3 is a front-left-top perspective view thereof;
FIG. 4 is a top plan view thereof;
FIG. 5 is a bottom plan view thereof;
FIG. 6 is a right side elevational view thereof;
FIG. 7 is a left side elevational view thereof;
FIG. 8 is a rear elevational view thereof;
FIG. 9 is a front elevational view thereof;
FIG. 10 is a rear-left-top perspective view illustrating the camera housing without the sunshield;
FIG. 11 is a front-right-bottom perspective view thereof;
FIG. 12 is a front-left-top perspective view thereof;
FIG. 13 is a top plan view thereof;
FIG. 14 is a bottom plan view thereof;
FIG. 15 is a right side elevational view thereof;
FIG. 16 is a left side elevation view thereof;
FIG. 17 is a rear elevational view thereof; and,
FIG. 18 is a front elevational view thereof.

The broken lines in the figures are shown for the purpose of illustrating portions of the camera housing, and/or environmental matter and form no part of the claimed design. The dot-dash broken lines define the bounds of the claimed design and form no part thereof.

1 Claim, 16 Drawing Sheets



(58) **Field of Classification Search**

CPC ... H04N 2101/00; H04N 23/51; H04N 1/2112
See application file for complete search history.

(56) **References Cited**

U.S. PATENT DOCUMENTS

D637,640 S *	5/2011	Park	D16/203
D702,274 S *	4/2014	Qian	D16/203
D795,943 S *	8/2017	Mitchell	D16/203
D827,691 S *	9/2018	Zhong	D16/203
D871,484 S *	12/2019	Wang	D16/203

FOREIGN PATENT DOCUMENTS

CN	305671191	*	3/2020
CN	306231245	*	12/2020

OTHER PUBLICATIONS

Securital Bullet Security Camera, earliest pictured Sep. 23, 2017, [online], [site visited Mar. 22, 2023]. Available via Internet,

<URL:https://www.securitall.com/ultra-hd-ip-indoor-outdoor-bullet-security-camera/> (Year: 2017).*

HeimVision IP Security Camera, earliest pictured Sep. 30, 2020, [online], [site visited Mar. 22, 2023]. Available via Internet, <URL:https://www.heimvision.com/products/heimvision-5mp-poe-ip-security-camera-compatible-with-hm541-poe-security-camera-system> (Year: 2020).*

Google Search, [online], [site visited Mar. 22, 2023]. Available via Internet, <URL:https://www.google.com/search?q=bullet+security+camera&rlz=1C1GCEA_enUS1049US1049&source=lnms&tbm=isch&sa=X&ved=2ahUKewjL3uyk_O_9AhU2FVvkFHR1TCIAQ_AUoAnoECAEQBA&biw=1920&bih=1057&dpr=1> (Year: 2023).*

Elara™ FB-Series O, Teledyne FLIR, Nov. 2020, retrieved online <https://www.flir.com/products/fb-series-o/>.

Elara™ FB-Series ID, Teledyne FLIR, Nov. 2020, retrieved online <https://www.flir.com/products/fb-series-id/>.

Elara™ FC-Series ID, Teledyne FLIR, Nov. 2020, retrieved online <https://www.flir.com/products/fc-series-id/>.

Elara™ FC-Series O, Teledyne FLIR, Nov. 2020, retrieved online <https://www.flir.com/products/fc-series-o/>.

Elara™ FC-Series R (Security), Teledyne FLIR, Nov. 2020, retrieved online <https://www.flir.com/products/fc-series-r-security/>.

Triton™ F-Series ID, Teledyne FLIR, Nov. 2020, retrieved online <https://www.flir.com/products/f-series-id/>.

* cited by examiner

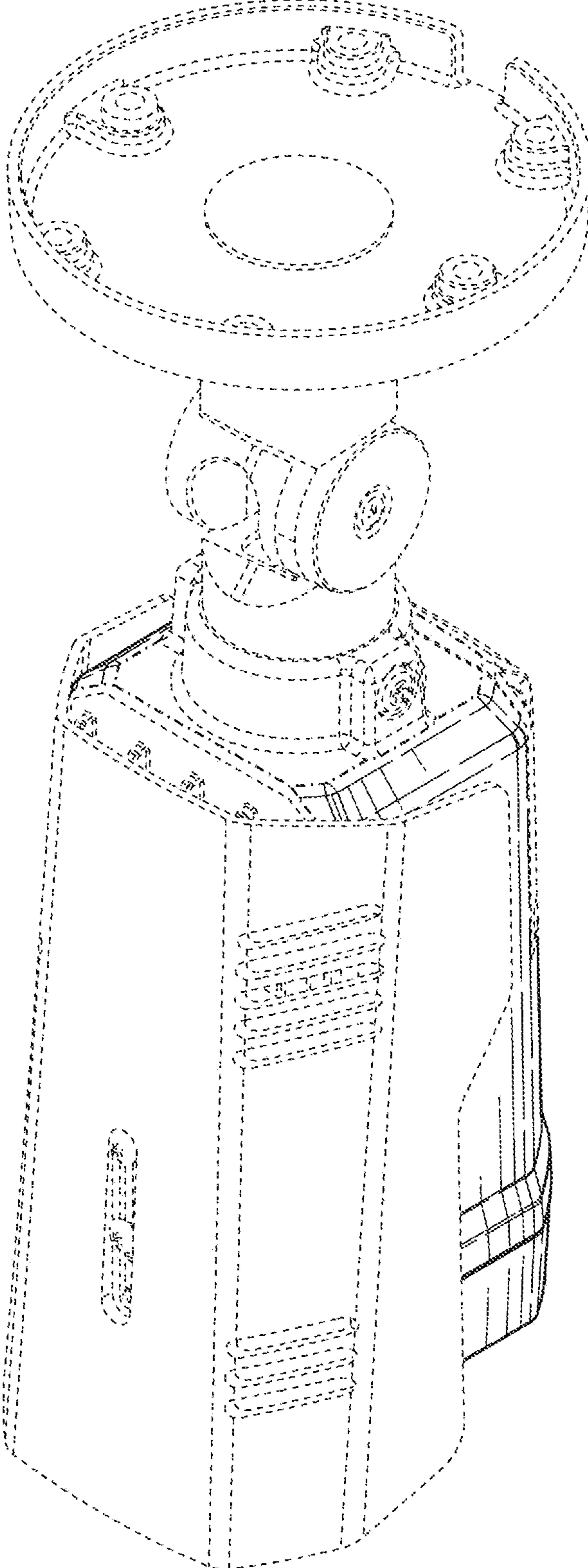


FIG. 1

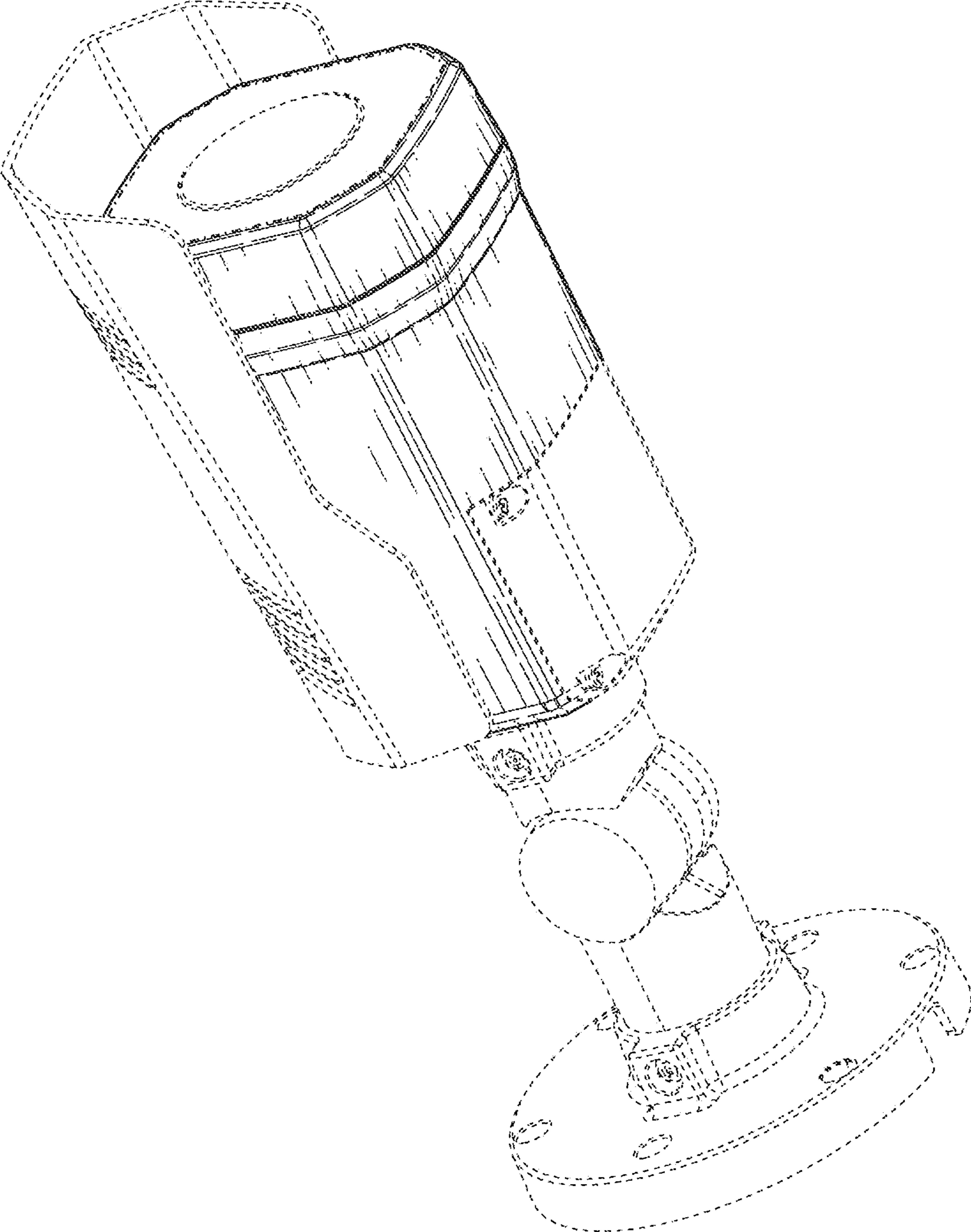


FIG. 2

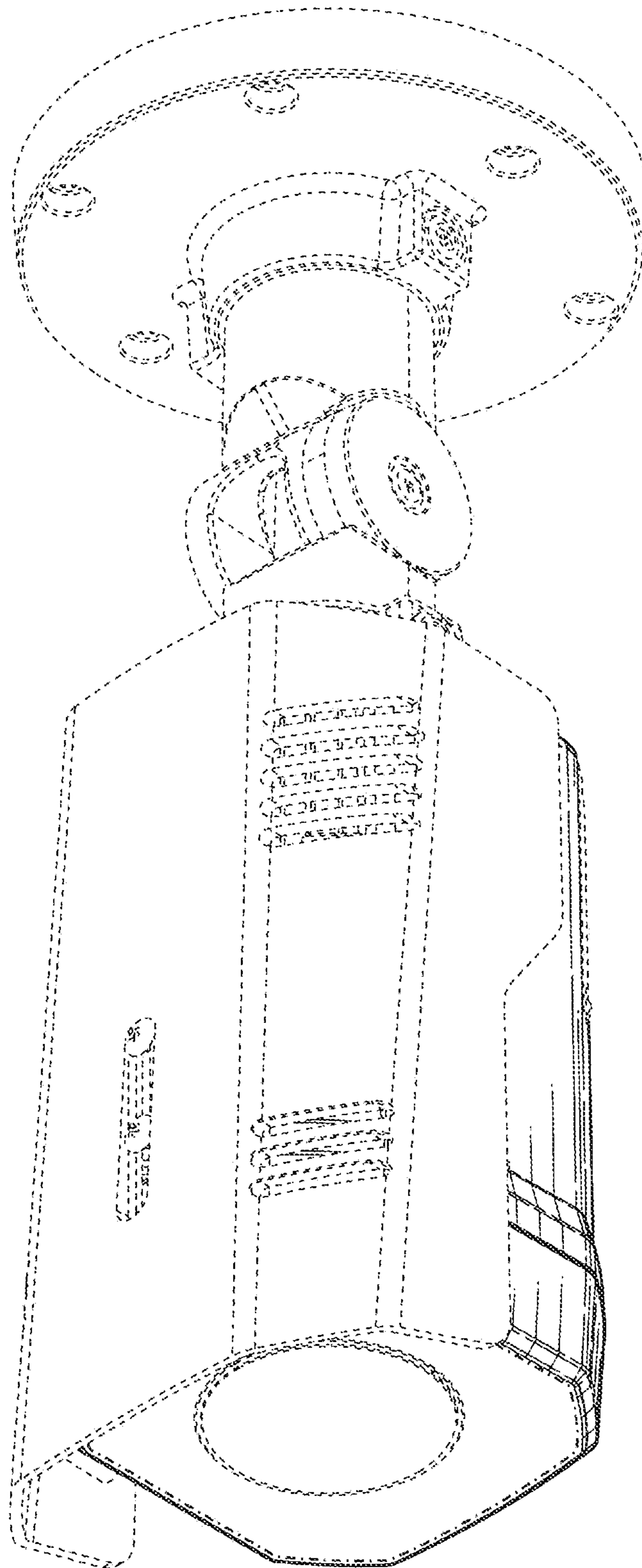


FIG. 3

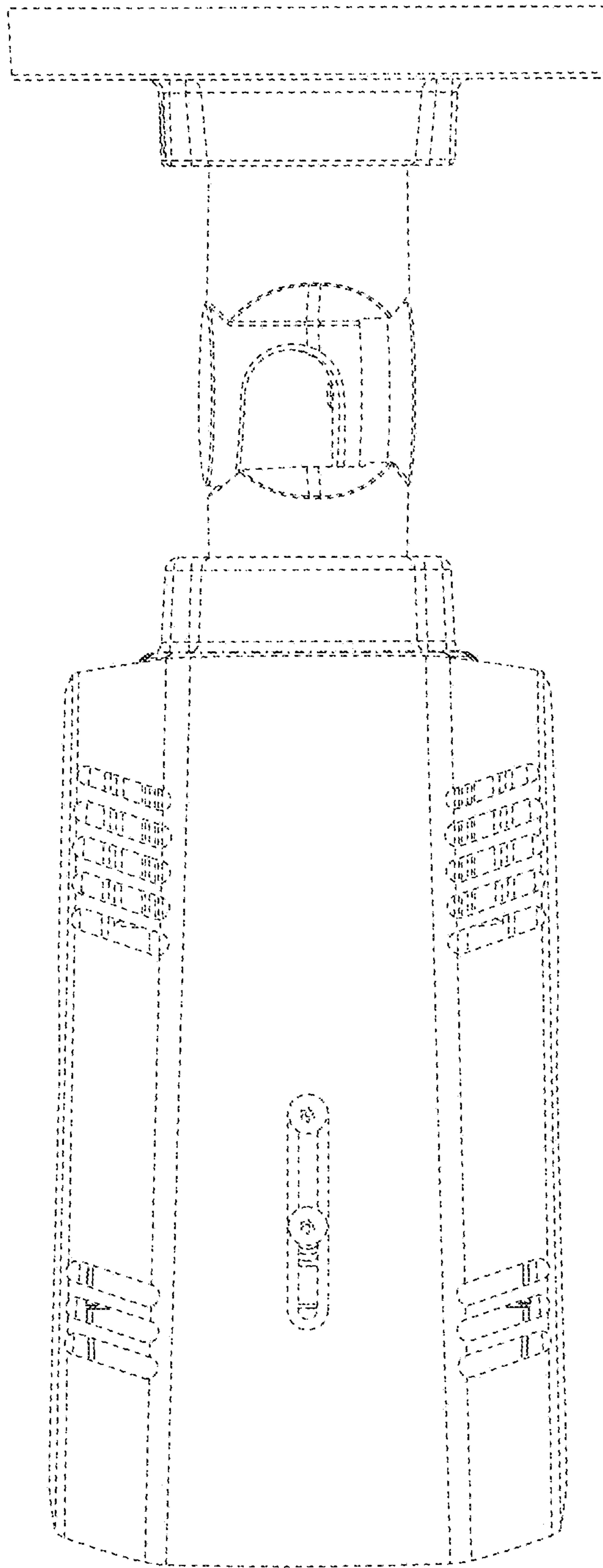


FIG. 4

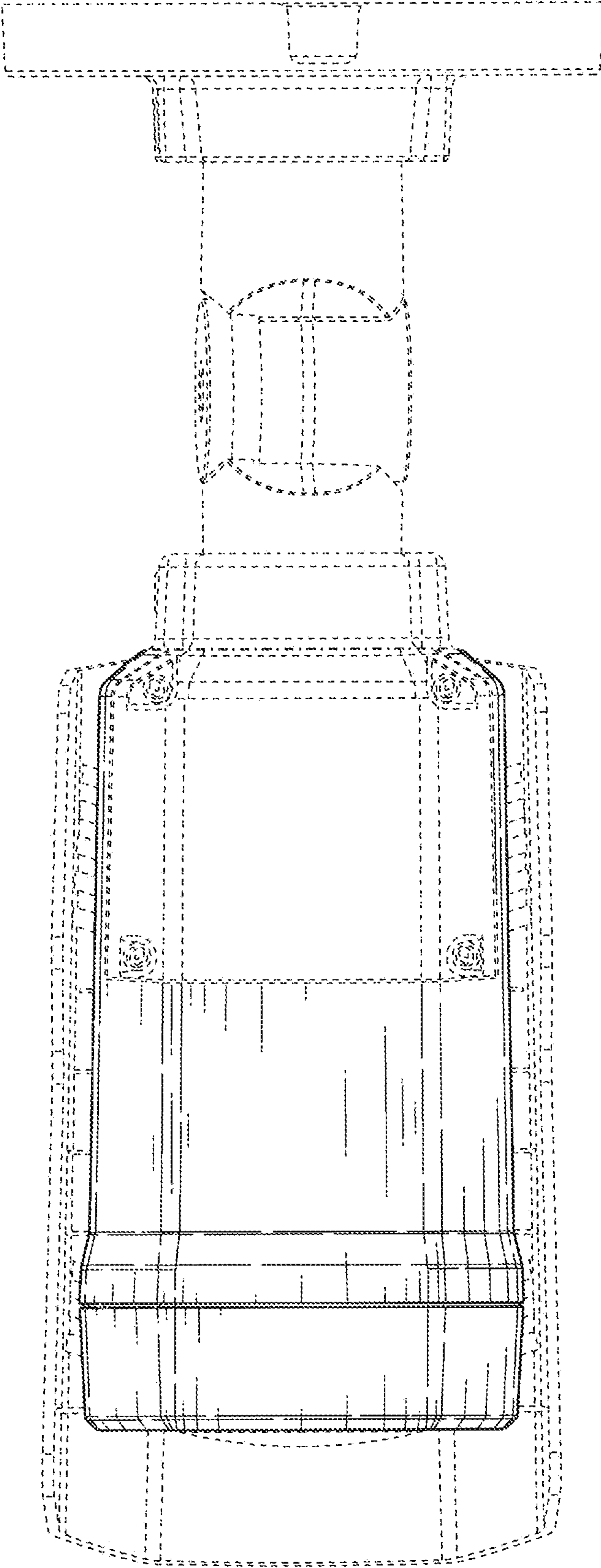


FIG. 5

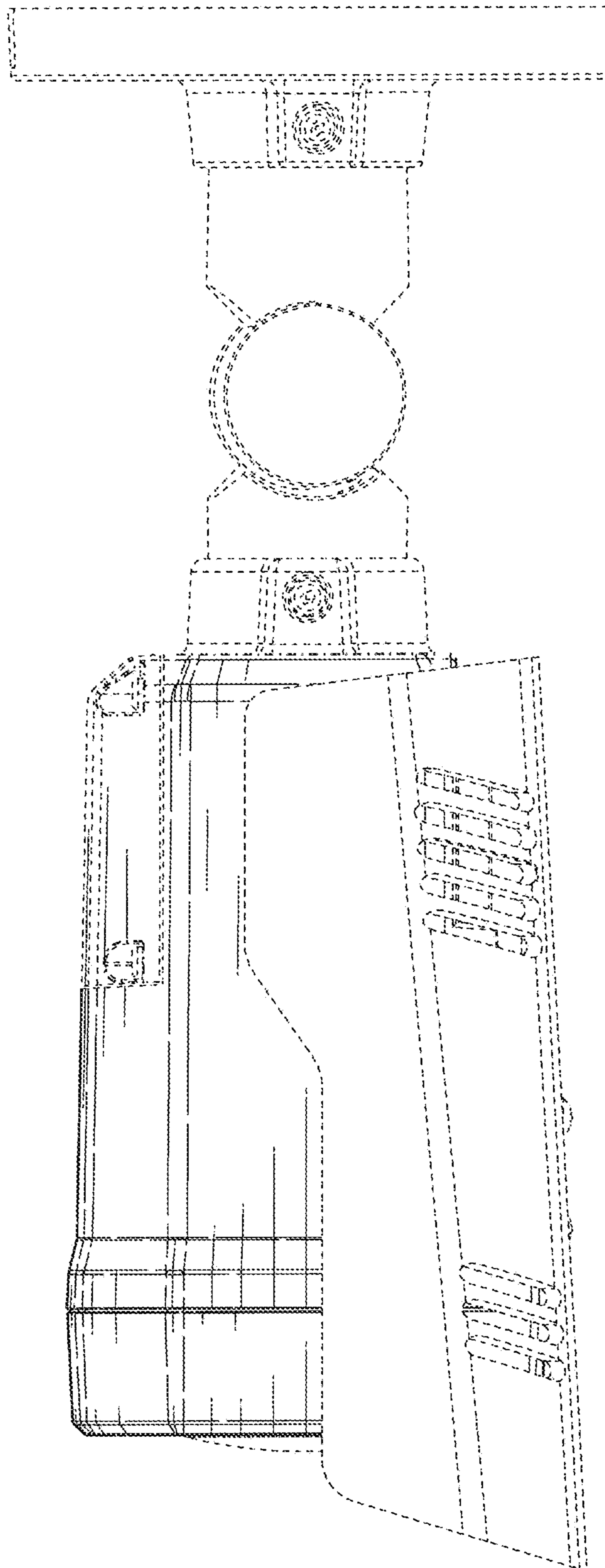


FIG. 6

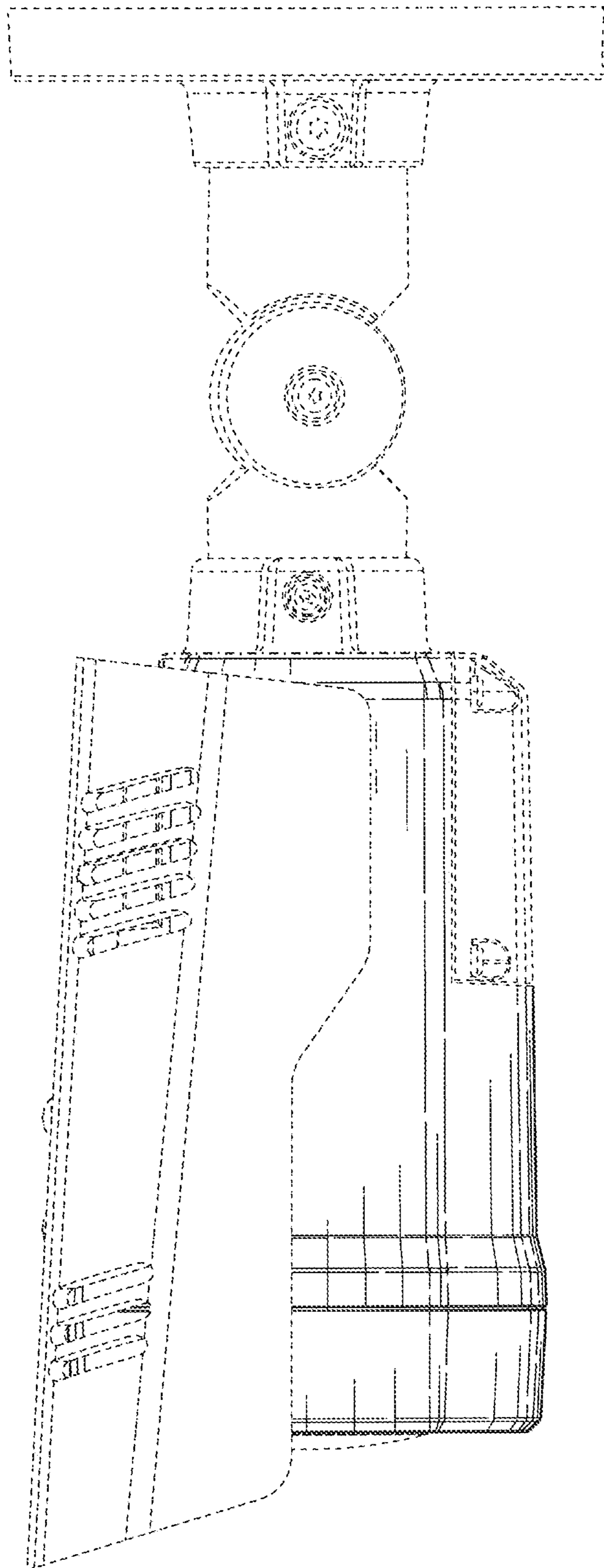


FIG. 7

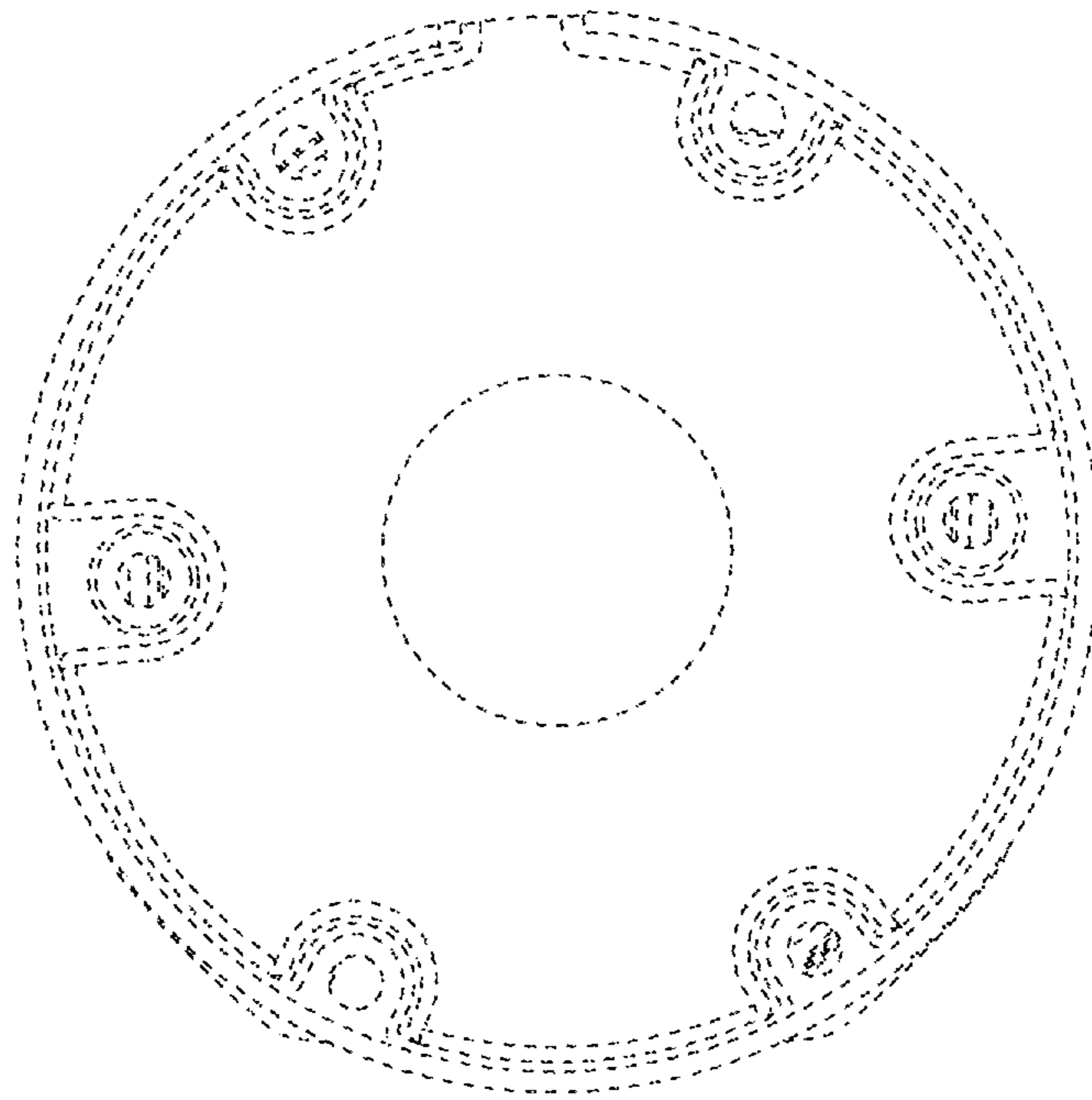


FIG. 8

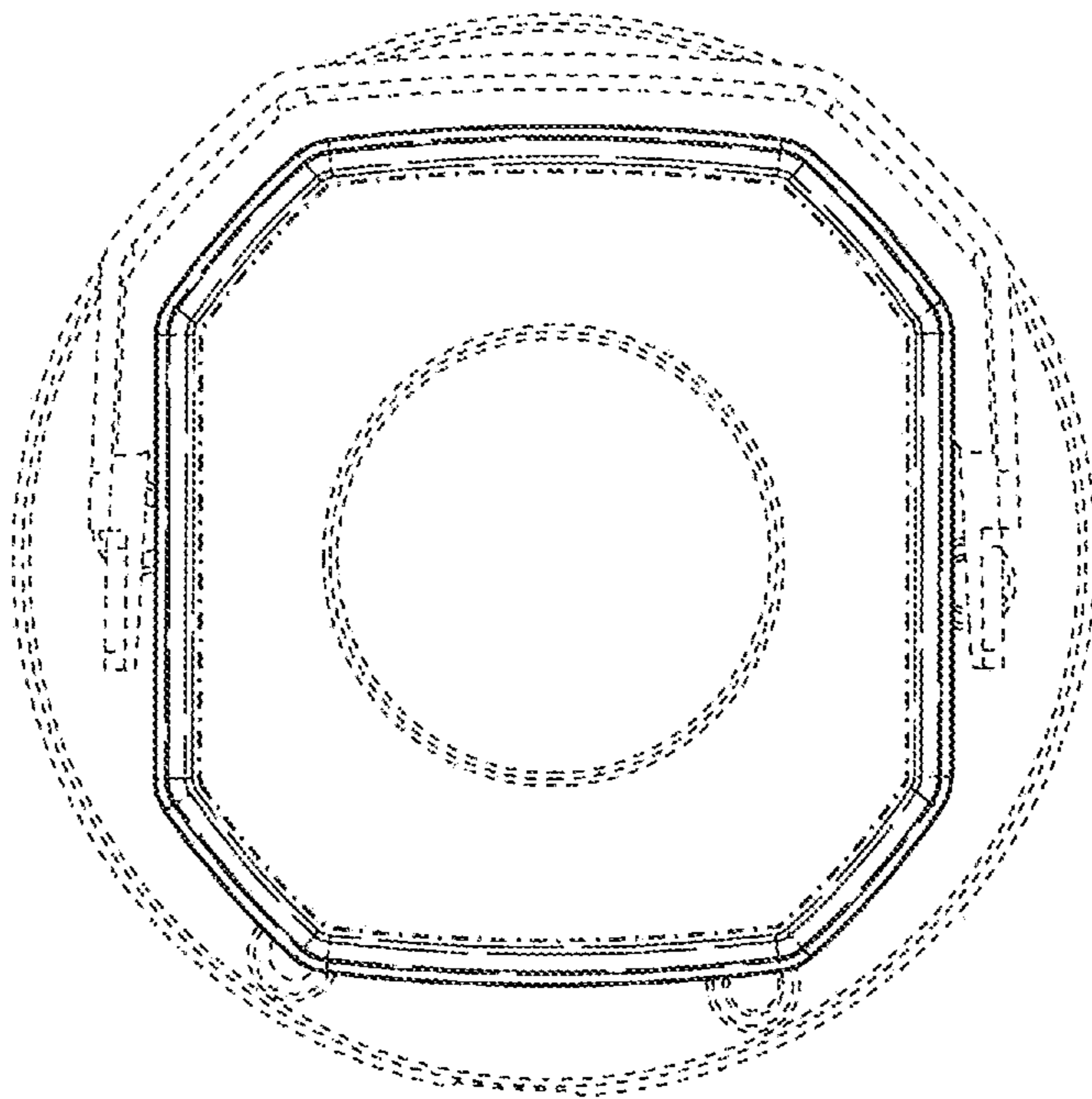


FIG. 9

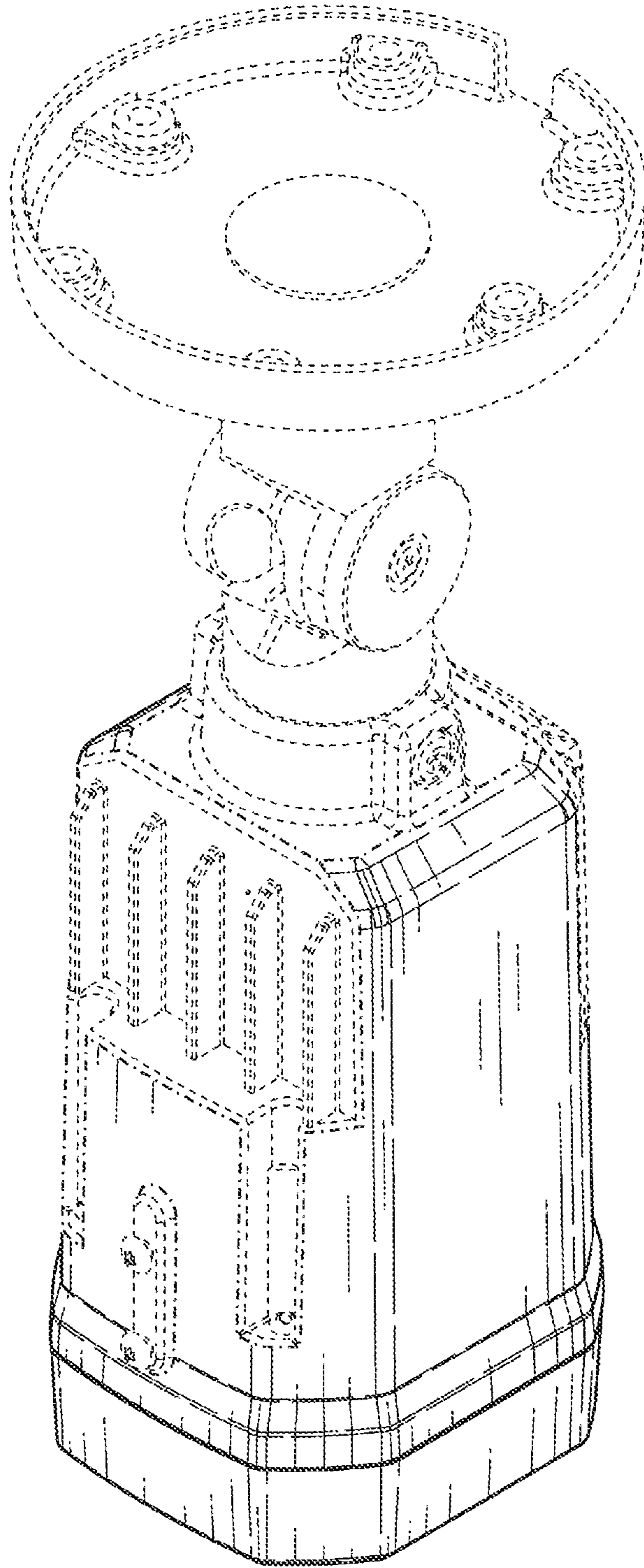


FIG. 10

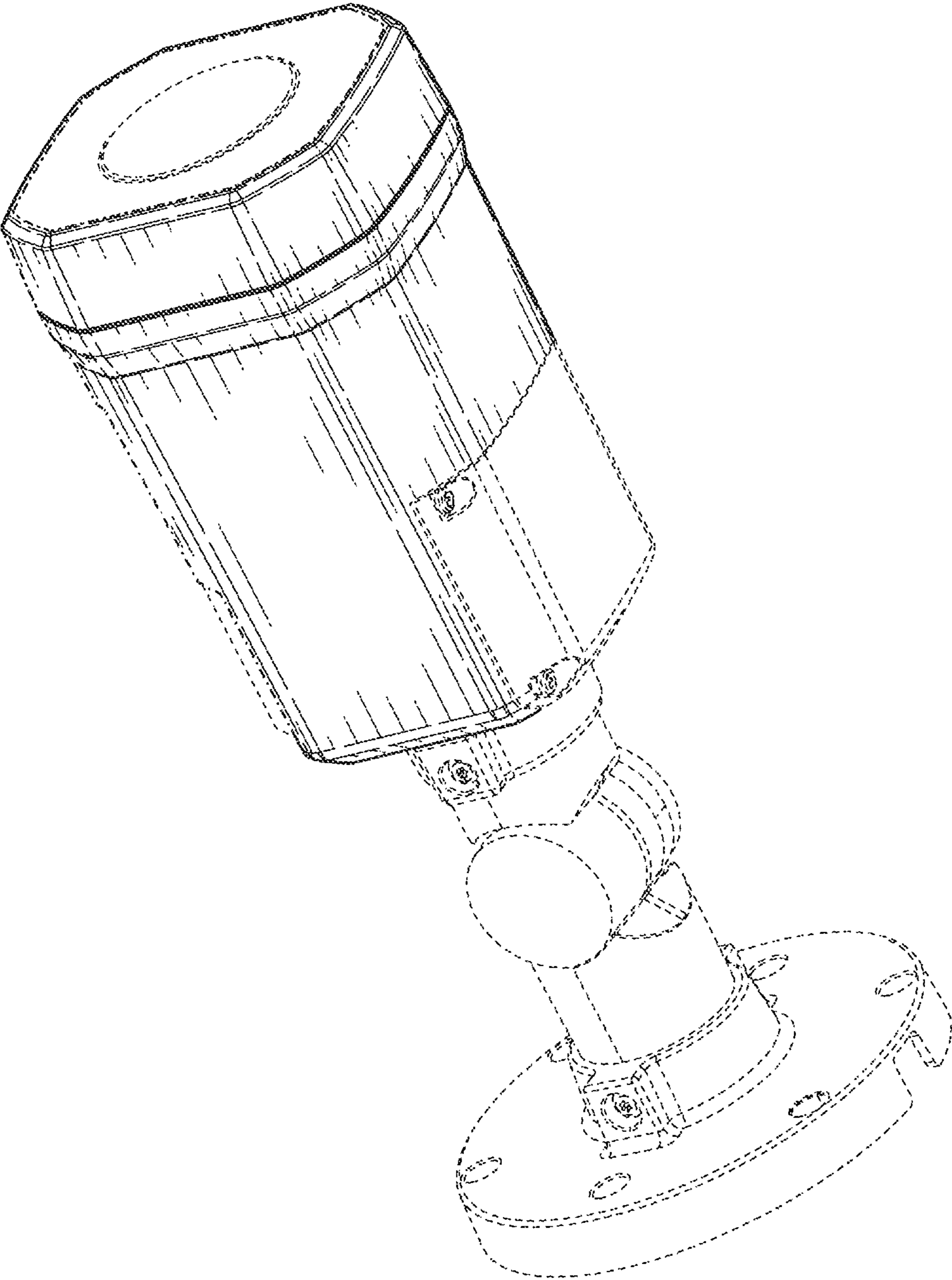


FIG. 11

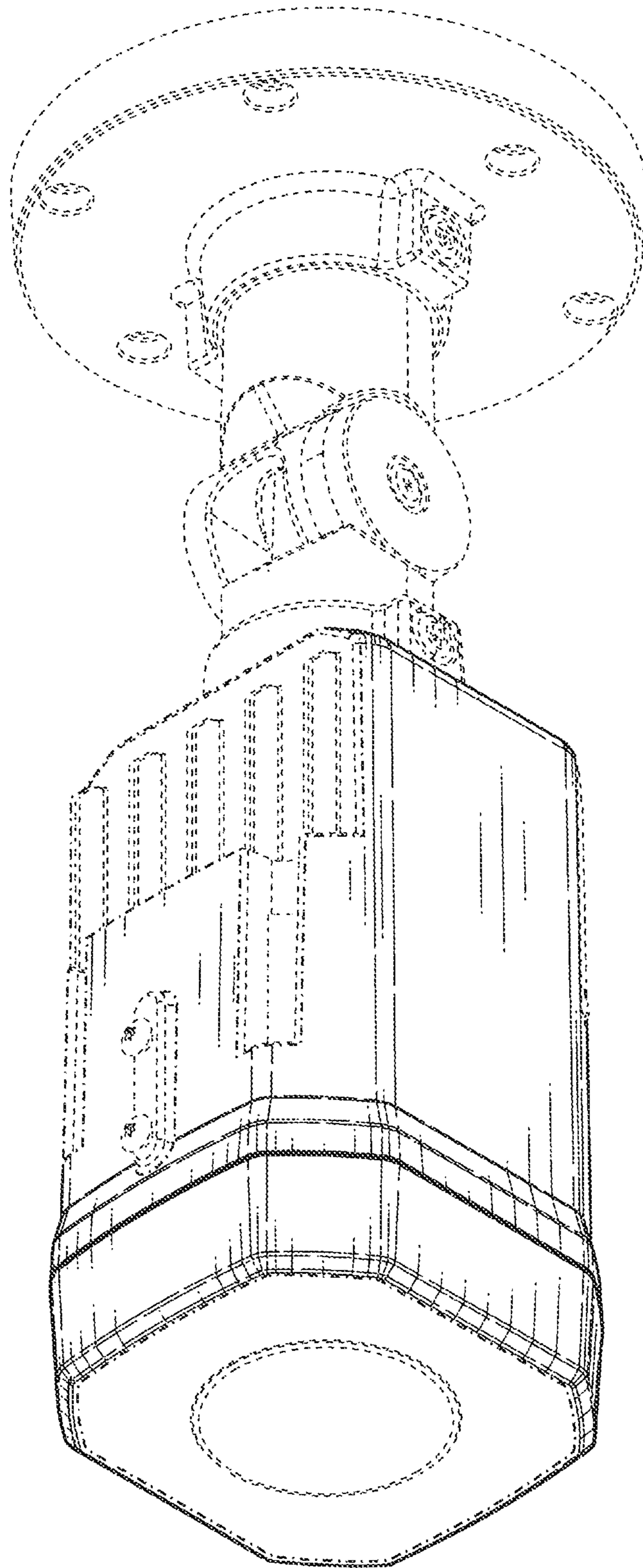


FIG. 12

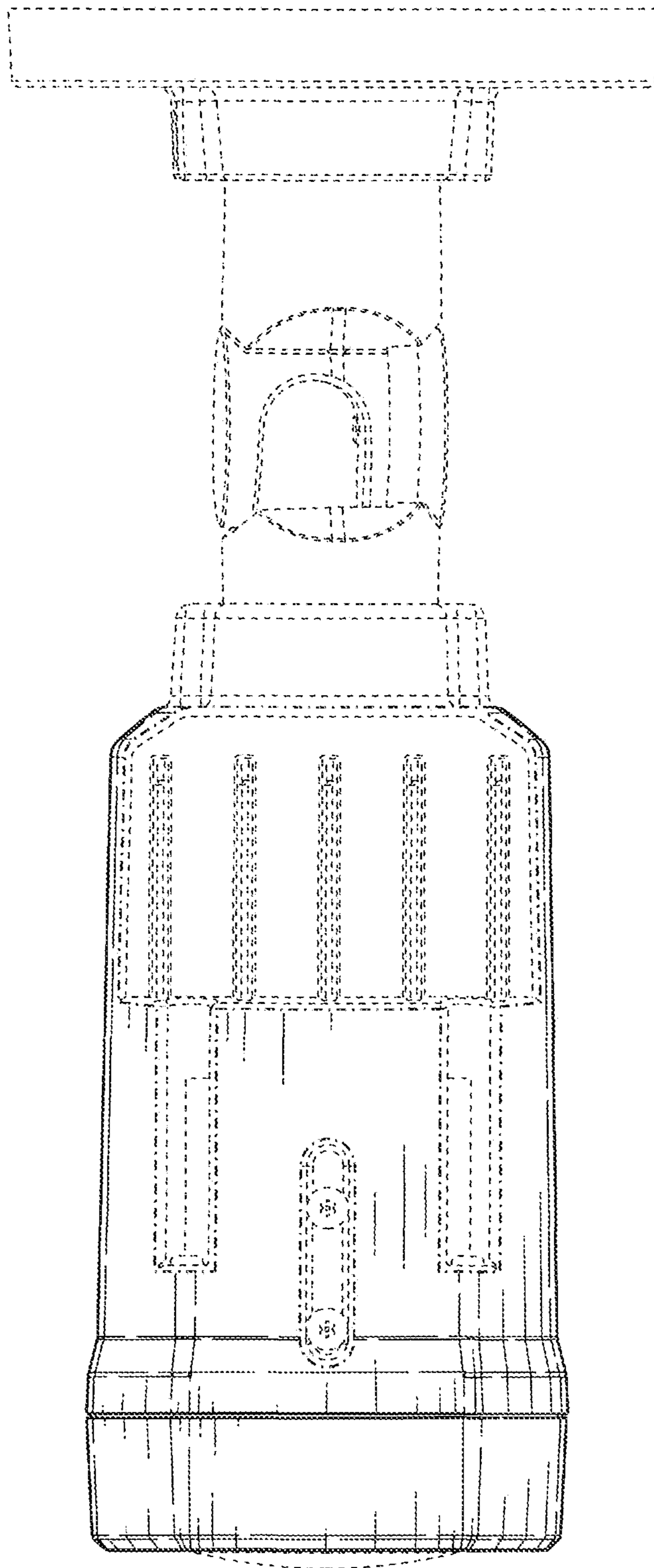


FIG. 13

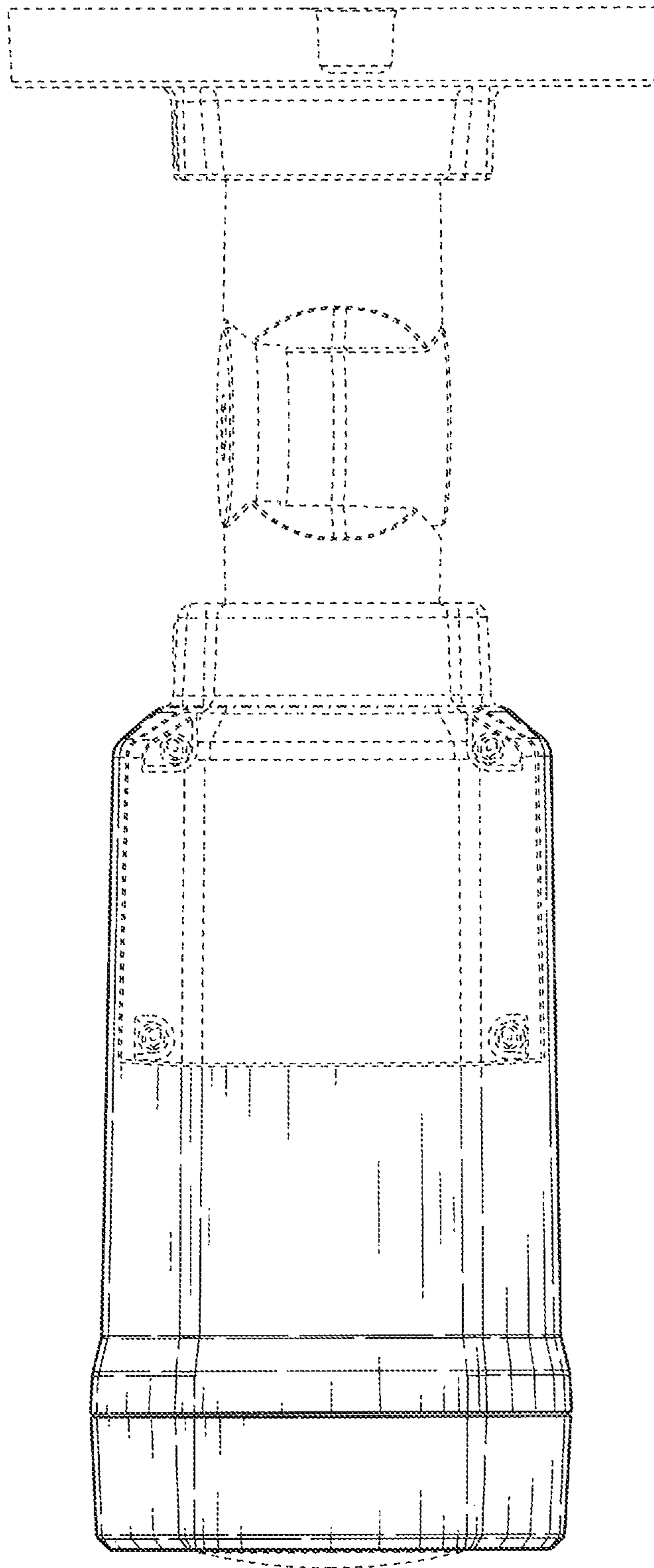


FIG. 14

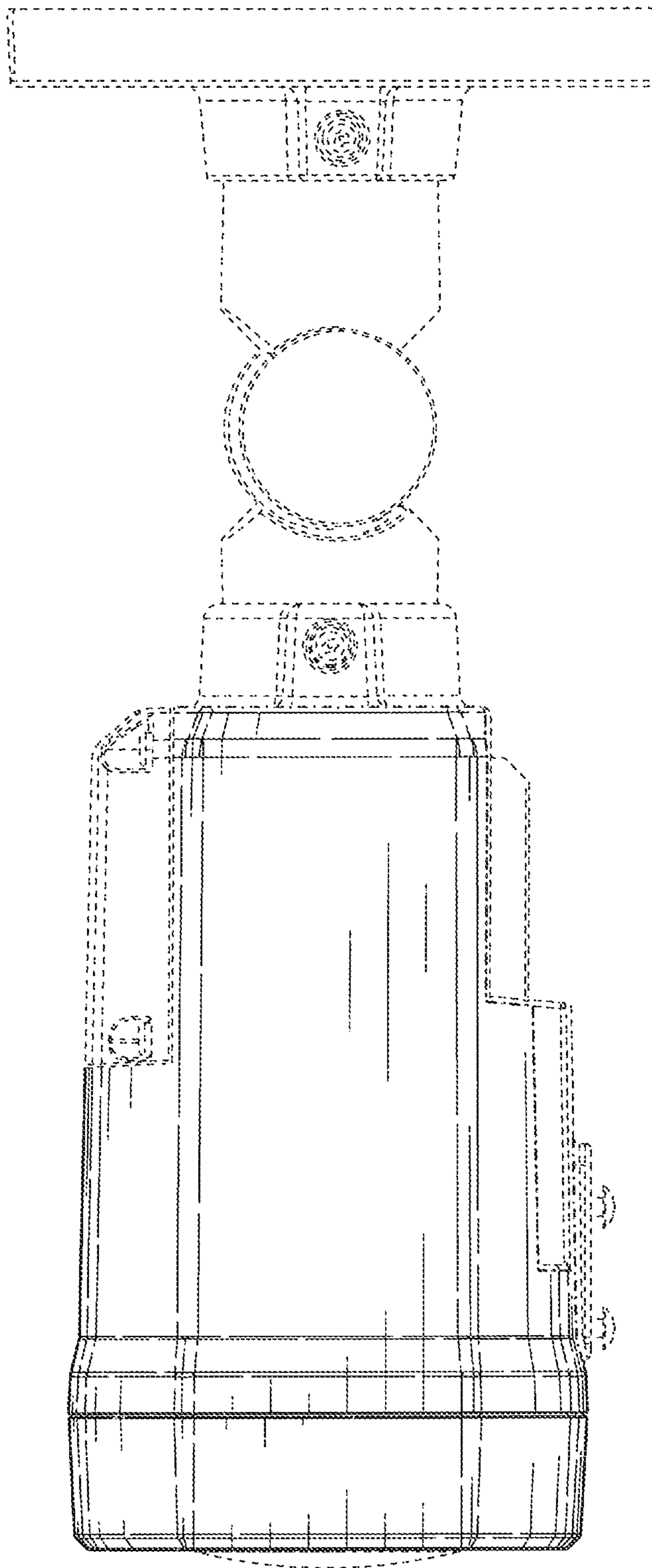


FIG. 15

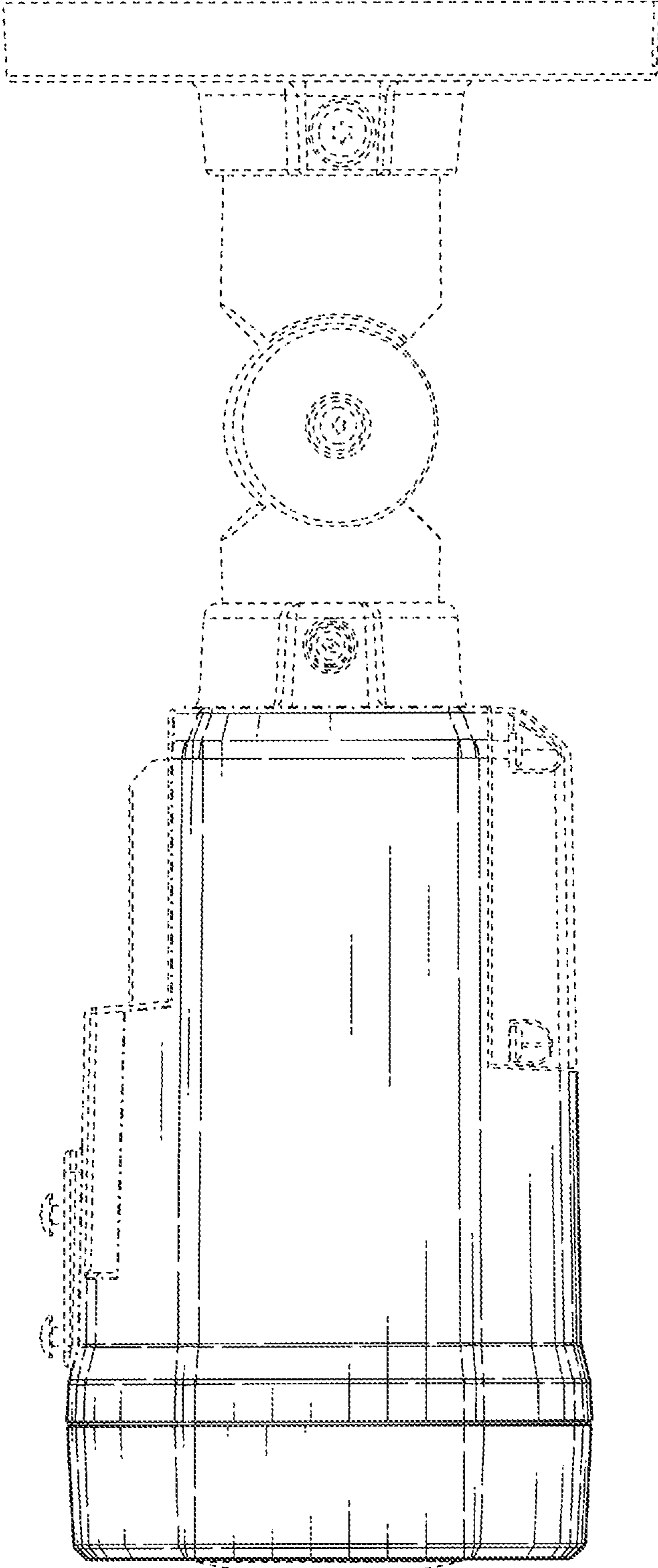


FIG. 16

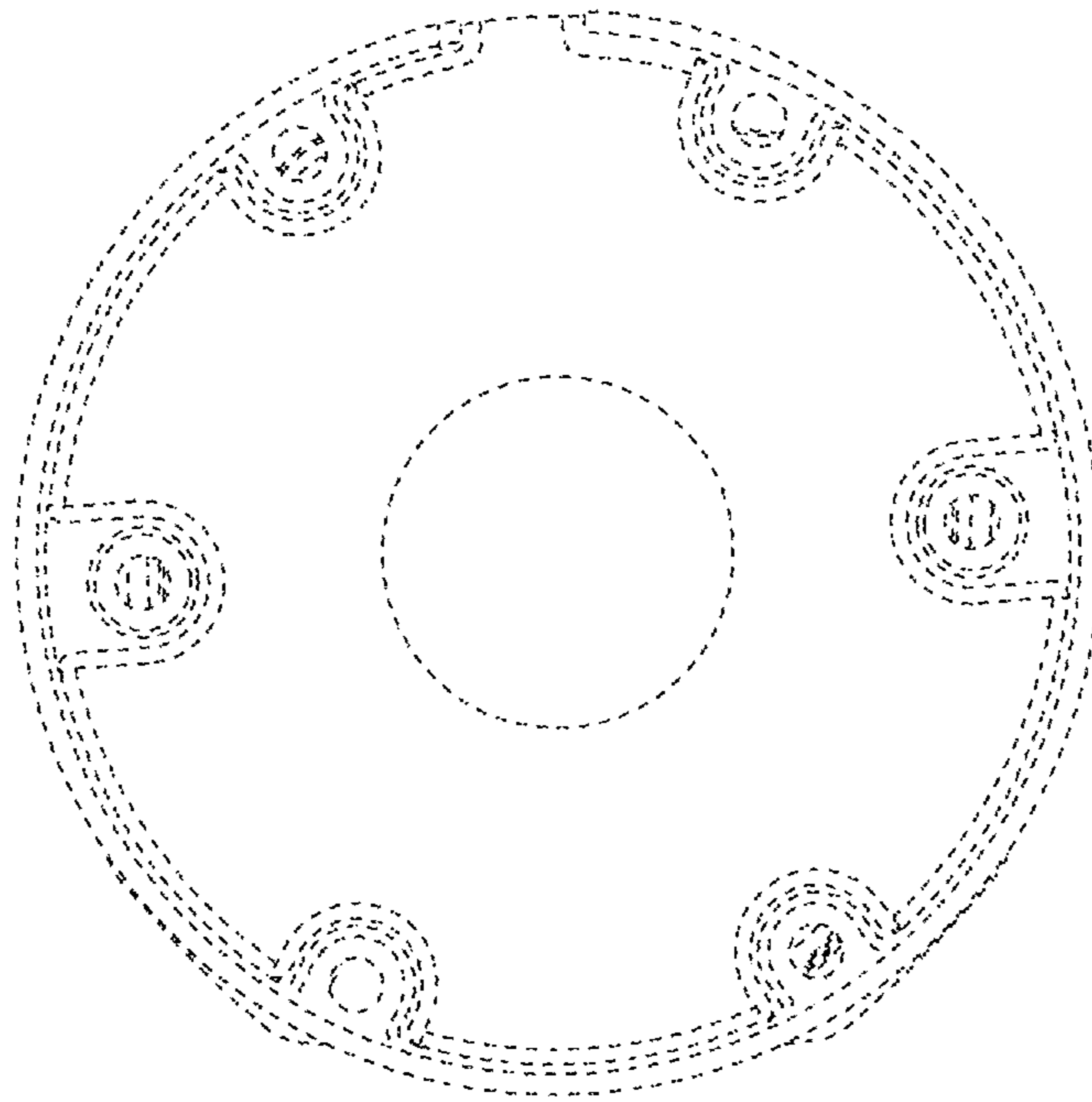


FIG. 17

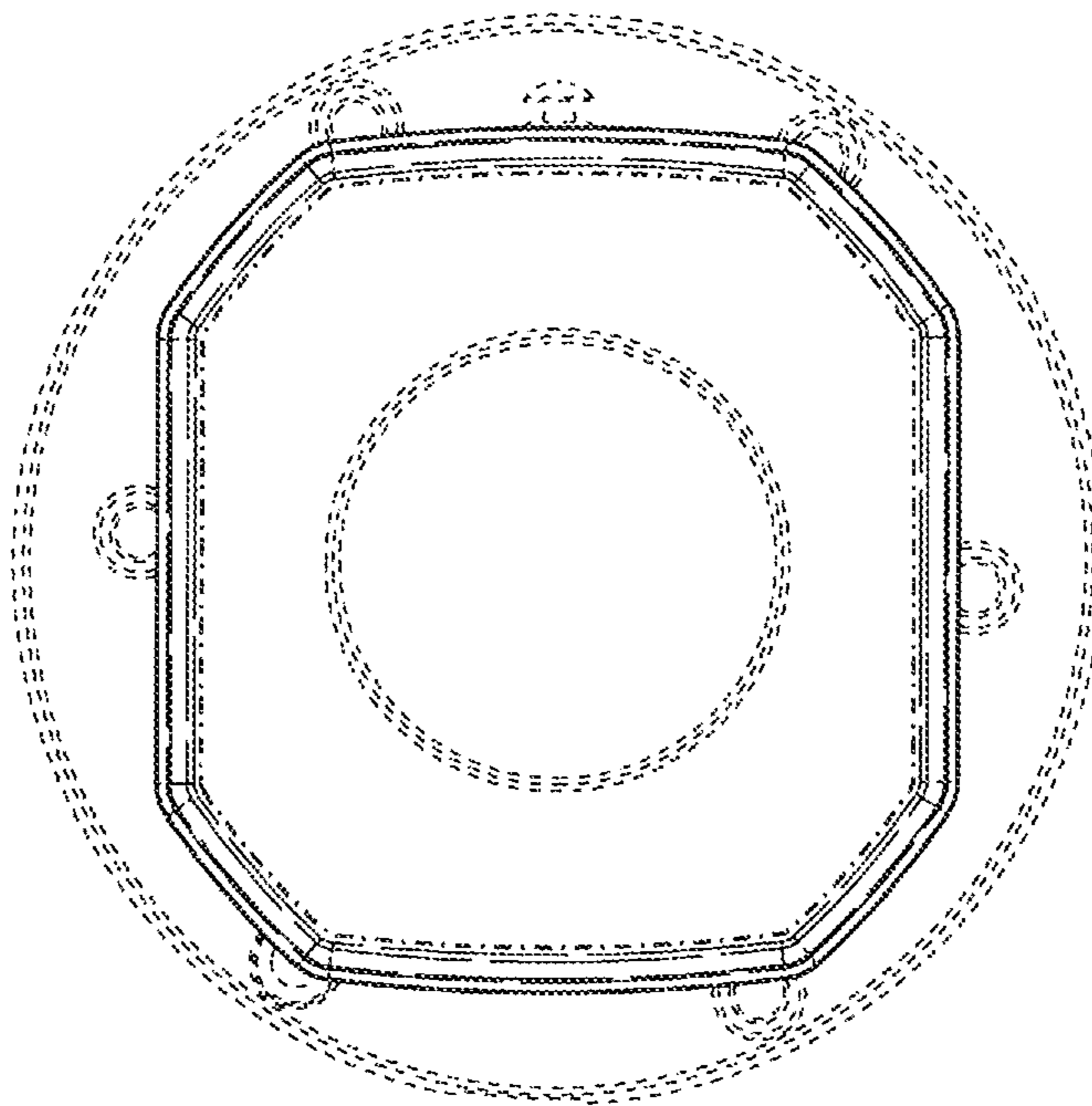


FIG. 18