



US0D1001798S

(12) **United States Design Patent**
Yuan et al.

(10) **Patent No.: US D1,001,798 S**
(45) **Date of Patent: ** Oct. 17, 2023**

(54) **DUAL SCREEN DISPLAY**

(71) Applicant: **Guangzhou Wantuo Information Technology Co., Ltd.**, Guangzhou (CN)

(72) Inventors: **Wei Yuan**, Guangzhou (CN); **Guanwen Chen**, Guangzhou (CN)

(**) Term: **15 Years**

(21) Appl. No.: **29/860,954**

(22) Filed: **Nov. 23, 2022**

(51) **LOC (14) Cl.** **14-02**

(52) **U.S. Cl.**
USPC **D14/373**

(58) **Field of Classification Search**
USPC D14/300, 305–307, 314, 334–337,
D14/339–341, 343, 346, 356, 358, 371,
D14/373–382, 432, 448, 451, 496, 507,
D14/510, 125, 126–127, 129–131, 133,
D14/163, 165, 188, 203.1, 203.3, 203.4,
D14/203.7, 203.8

CPC G06F 1/1601; G06F 1/1605; G06F 1/1607;
G06F 1/1609; G06F 1/1613; G06F
1/1616; G06F 1/1615; G06F 1/1626;
G06F 1/162; G06F 1/1622; G06F 1/1637;
G06F 1/1641; G06F 1/1647; G06F
1/1649; G06F 1/1654; G09F 9/301; G09F
13/00; G09F 13/005; G09F 13/02; H04N
23/51; H04N 23/50

See application file for complete search history.

(56) **References Cited**

U.S. PATENT DOCUMENTS

5,687,939	A *	11/1997	Moscovitch	F16M 11/24 361/679.04
D395,041	S *	6/1998	Leveridge	D14/127
D428,864	S *	8/2000	Rooyakkers	D14/306
6,212,068	B1 *	4/2001	Rooyakkers	A47B 83/001 361/679.04
6,295,038	B1 *	9/2001	Rebeske	G06F 1/1616 361/679.04

(Continued)

OTHER PUBLICATIONS

Agomuoh, Fiona, This stacked, dual-screen monitor is unlike anything, posted at Digital Trends, posting date Jul. 27, 2022. Site visited Apr. 24, 2023. URL: <https://www.digitaltrends.com/computing/geminos-stacked-dual-screen-monitor-kickstarter-project/> (Year: 2022).*

(Continued)

Primary Examiner — Kathleen L Jones

(57) **CLAIM**

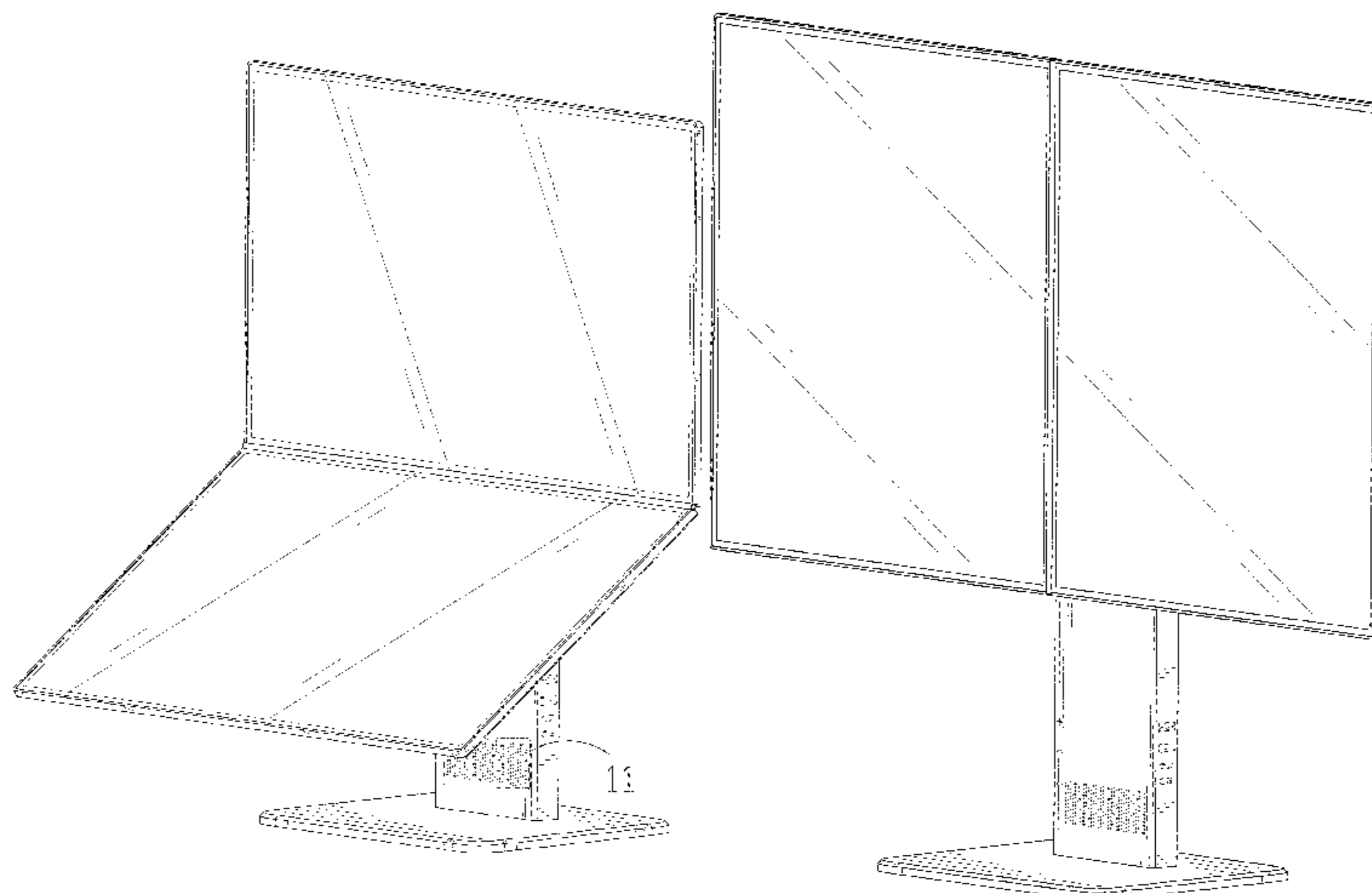
The ornamental design for a dual screen display, as shown and described.

DESCRIPTION

FIG. 1 is a front and top perspective view of a dual screen display, showing our new design;
FIG. 2 is a rear and bottom perspective view thereof;
FIG. 3 is a front elevation view thereof;
FIG. 4 is a rear elevation view thereof;
FIG. 5 is a left side elevation view thereof;
FIG. 6 is a right side elevation view thereof;
FIG. 7 is a top plan view thereof;
FIG. 8 is a bottom plan view thereof;
FIG. 9 is another perspective view thereof, shown in an alternative position;
FIG. 10 is another perspective view thereof, shown in an alternative position; and,
FIG. 11 is an enlarged perspective view of detail “11” identified in FIG. 1.

The dashed lines in the figures illustrate portions of the dual screen display that form no part of the claimed design. The dash dot dash lines in FIGS. 1 and 11 are for the purpose of illustrating the enlarged view indicators and form no part of the claimed design.

1 Claim, 11 Drawing Sheets



(56)

References Cited

U.S. PATENT DOCUMENTS

6,343,006 B1 * 1/2002 Moscovitch B60R 11/0235
 361/679.04
 D496,362 S * 9/2004 Ozolins D14/375
 D496,363 S * 9/2004 Ozolins D14/375
 D496,937 S * 10/2004 Ozolins D14/375
 D507,570 S * 7/2005 Ozolins D14/375
 D518,047 S * 3/2006 Gobrogge D14/375
 D533,524 S * 12/2006 Fergason D14/127
 D539,767 S * 4/2007 Kang D14/126
 D587,710 S * 3/2009 Han D14/373
 D589,511 S * 3/2009 Han D14/373
 D589,958 S * 4/2009 Han D14/373
 D589,959 S * 4/2009 Han D14/373
 D592,623 S * 5/2009 Fergason D14/127
 D669,467 S * 10/2012 Ballout D14/336
 D739,464 S * 9/2015 Liu D14/374
 D768,131 S * 10/2016 Kuo D14/374
 D839,881 S 2/2019 Parthasarathy et al.
 D885,382 S * 5/2020 Kim D14/371
 D911,992 S * 3/2021 Stinson D14/126
 D923,592 S * 6/2021 Jadeja D14/126
 D929,355 S * 8/2021 Diao D14/126

D934,827 S * 11/2021 Stinson D14/126
 D971,915 S * 12/2022 Cho D14/371
 D989,723 S * 6/2023 Jung D14/126
 D989,724 S * 6/2023 Lee D14/126
 11,681,333 B2 * 6/2023 Yao G06F 1/1616
 361/679.01
 2020/0383246 A1 * 12/2020 Lee G09F 19/22
 2022/0397942 A1 * 12/2022 Yao G06F 1/1652
 2023/0195176 A1 * 6/2023 Perelli G06F 1/1626
 361/679.01

OTHER PUBLICATIONS

Roach, Jacob, Samsung APK is a rotating cockpit of monitor madness—and I want one now, posted at Digital Trends, posting date Jan. 4, 2022. Site visited Apr. 24, 2023. URL: <<https://www.digitaltrends.com/computing/samsung-ark-hands-on-review-ces-2022/>> (Year: 2022).*

Huanuo, Dual Monitor Stand, posted at Amazon, posting date Apr. 27, 2020. Site visited Apr. 24, 2023. URL: <<https://www.amazon.com/HUANUO-Vertical-Monitor-Stand-Monitors/dp/B081H8WMXT/>> (Year: 2020).*

* cited by examiner

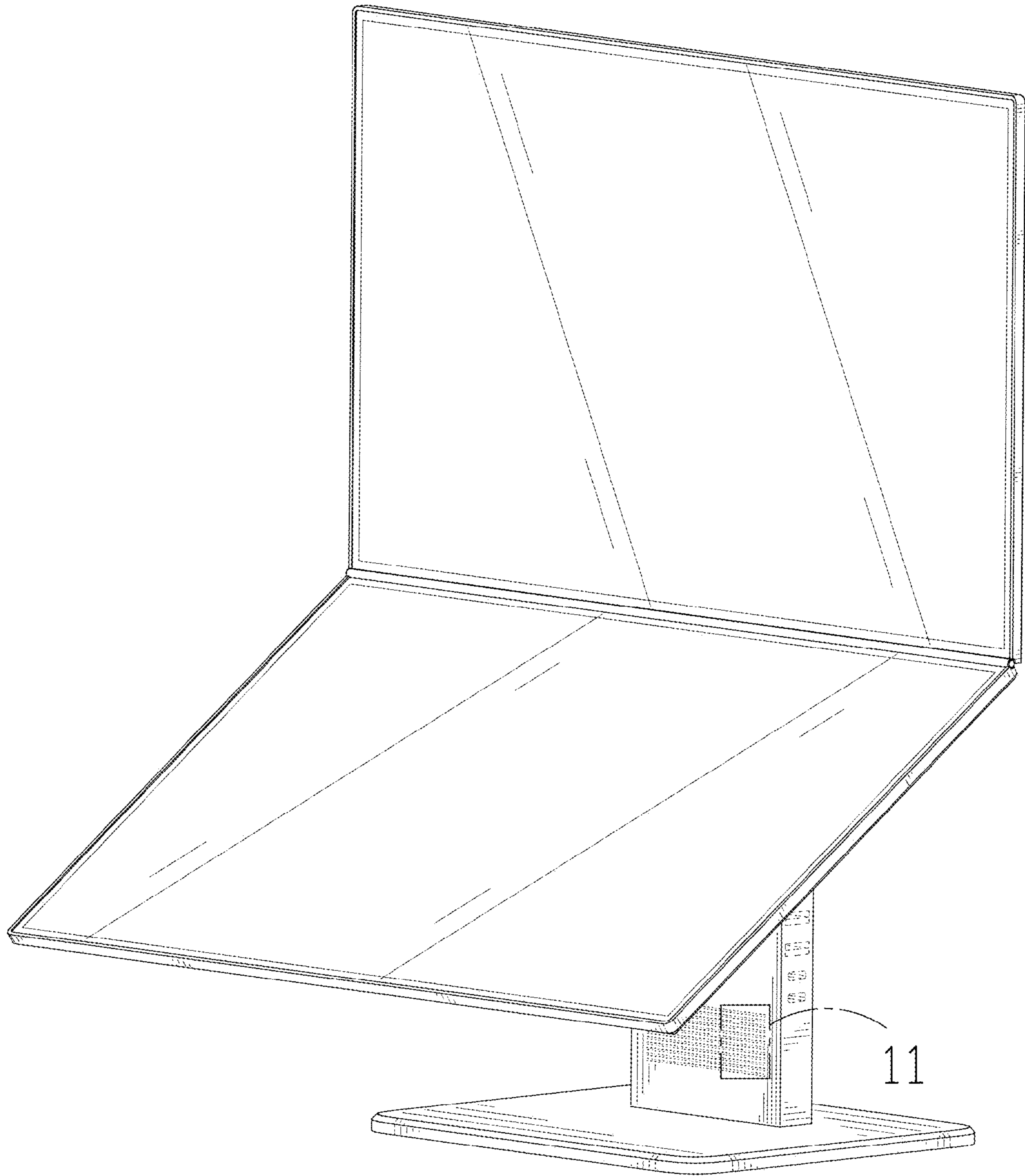


FIG. 1

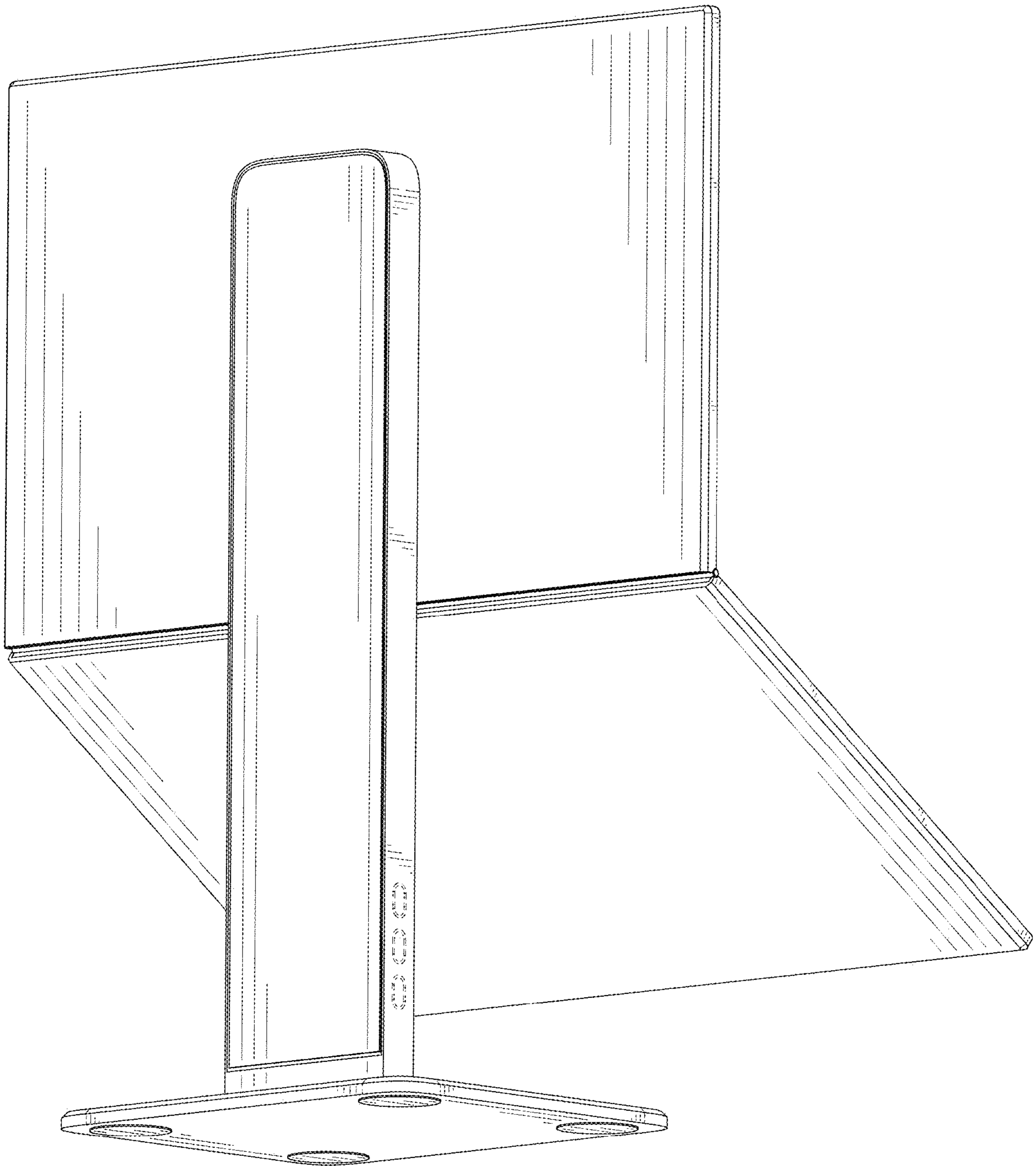


FIG. 2

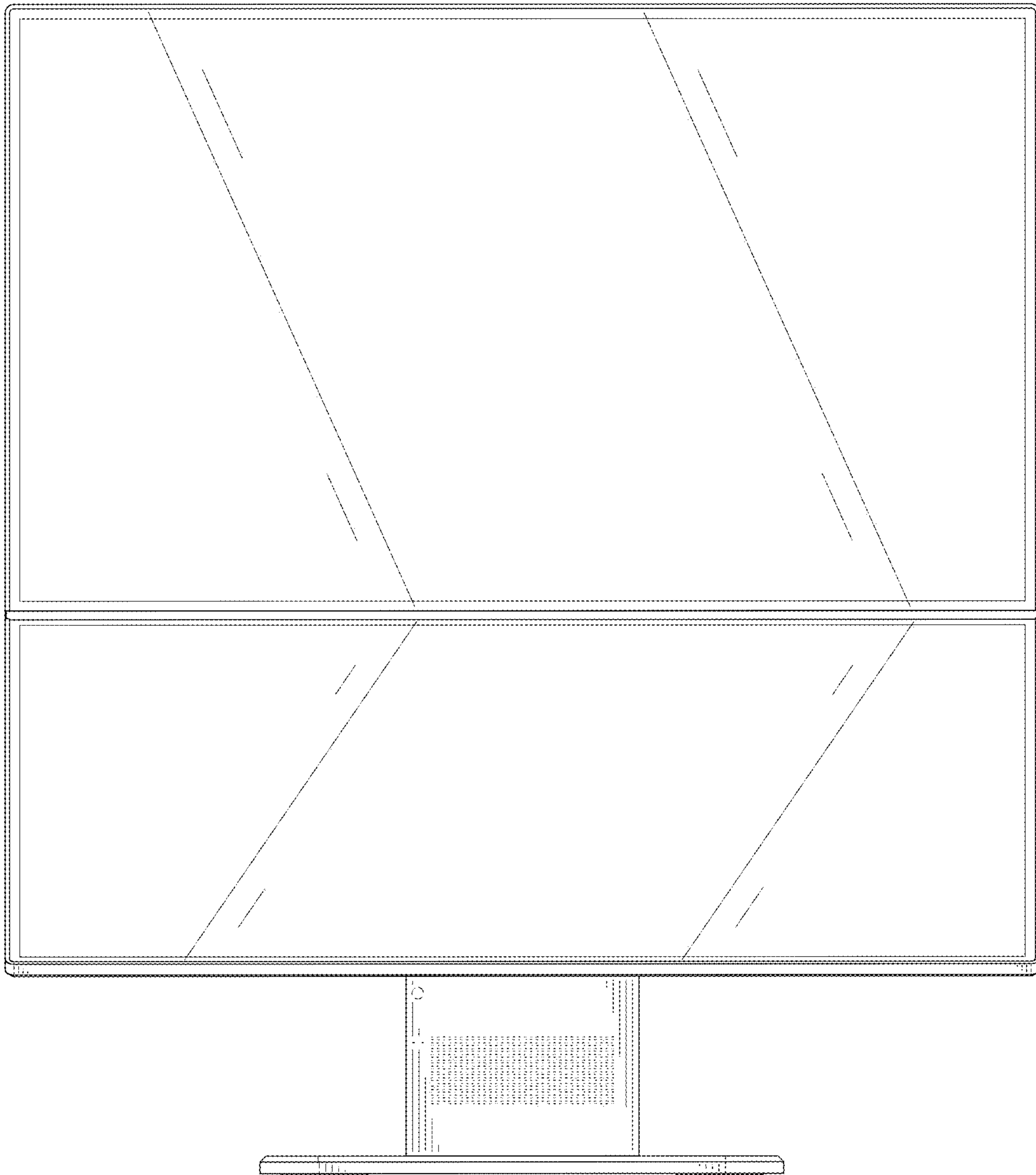


FIG. 3

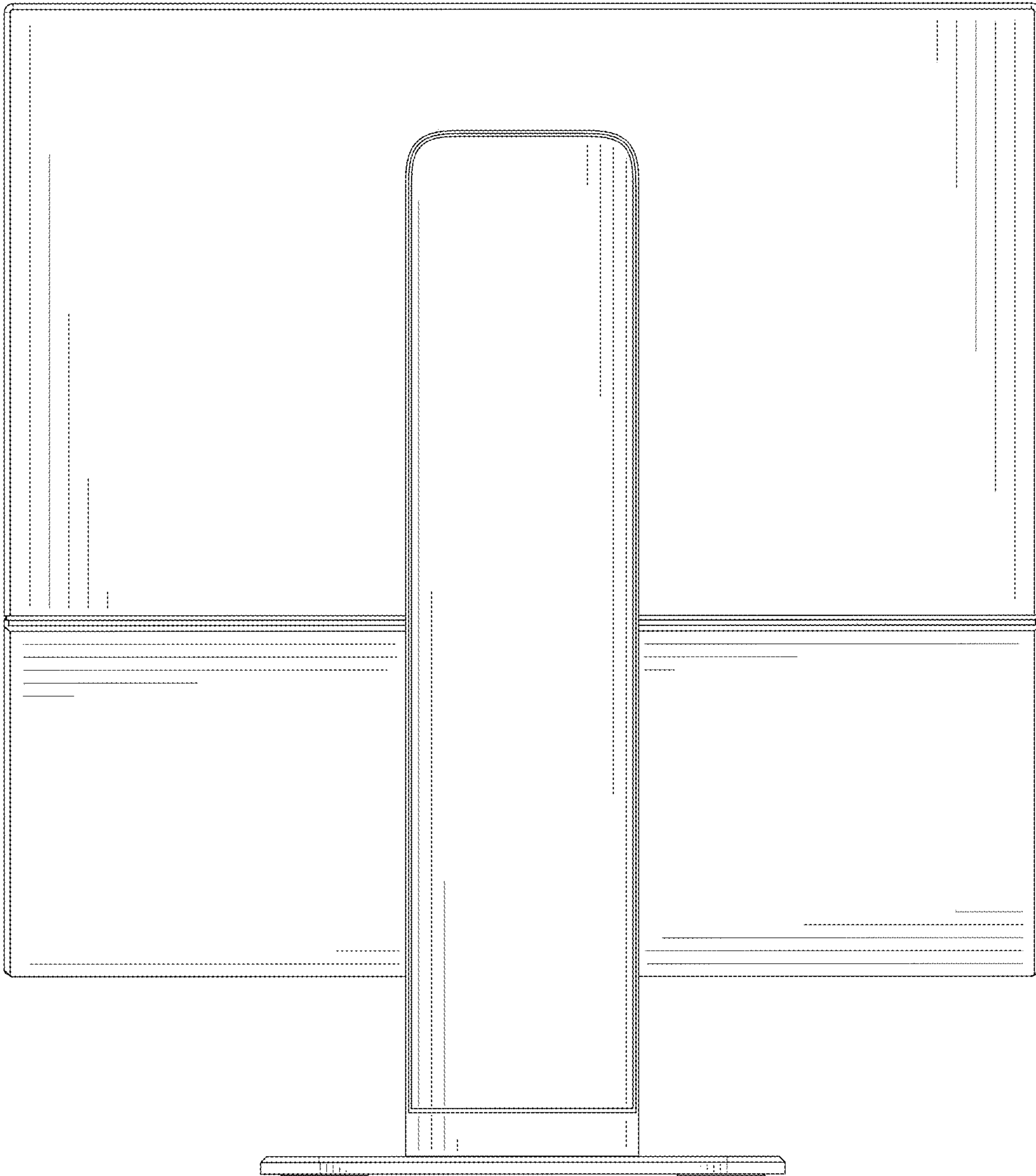


FIG. 4

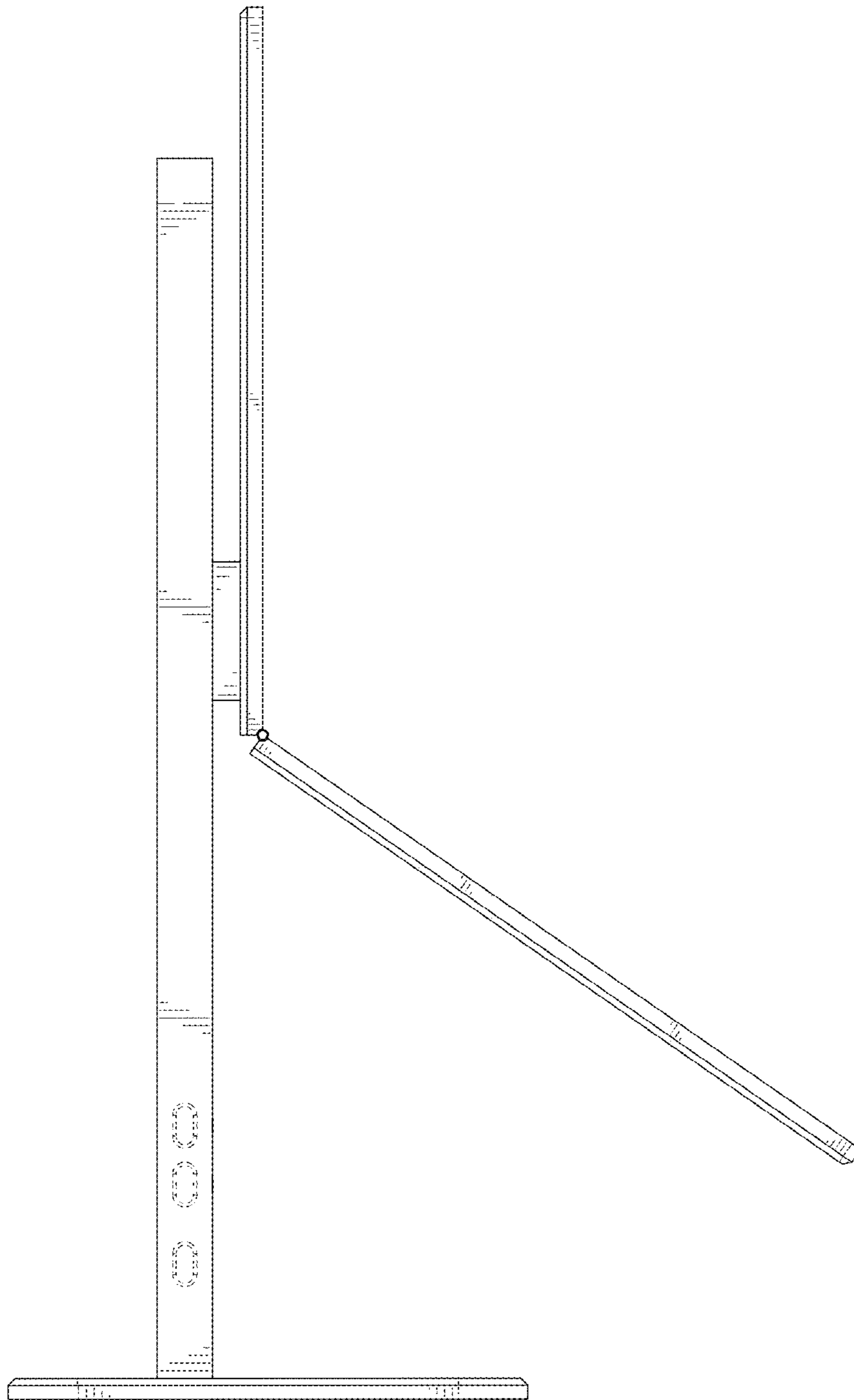


FIG. 5

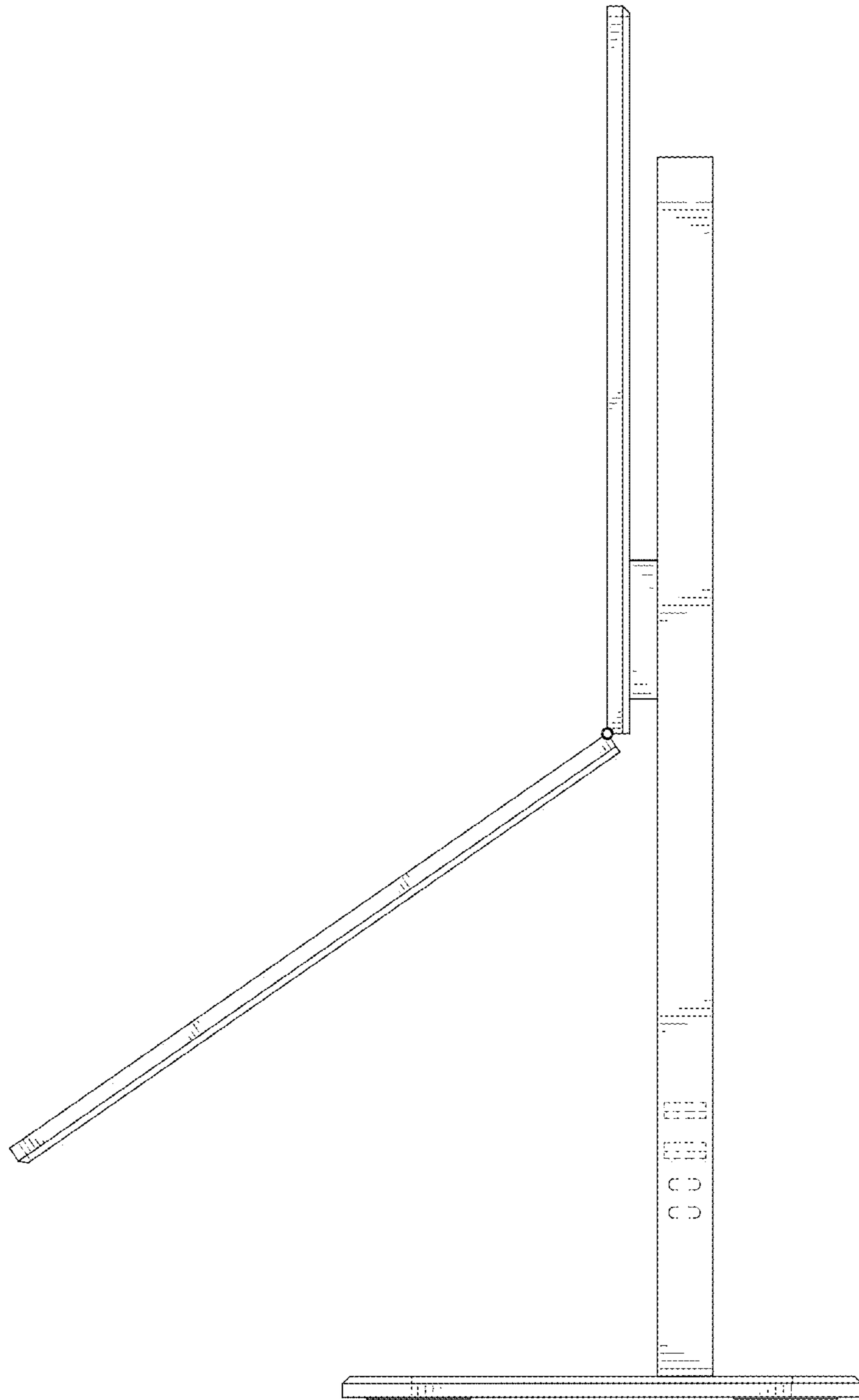


FIG. 6

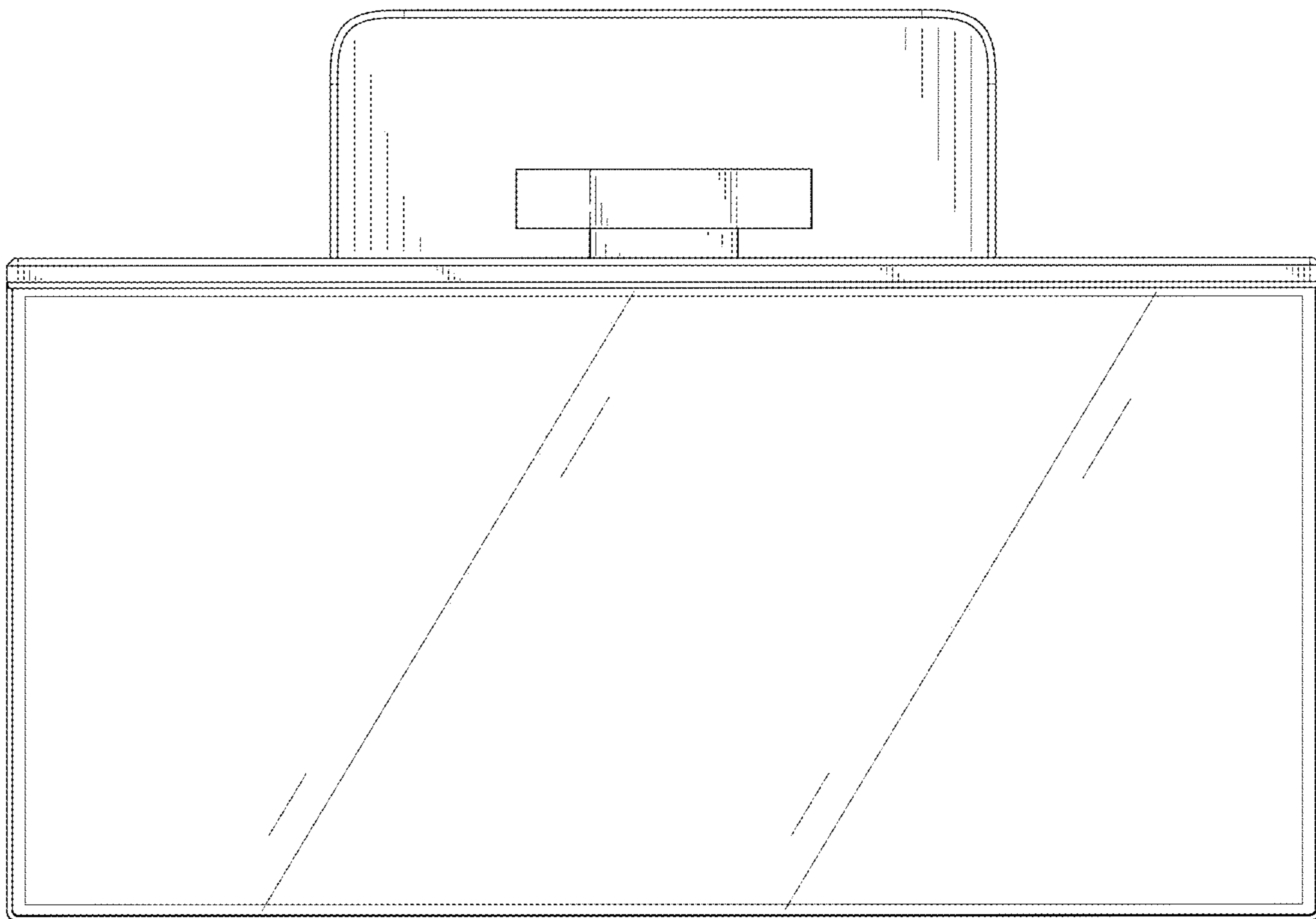


FIG. 7

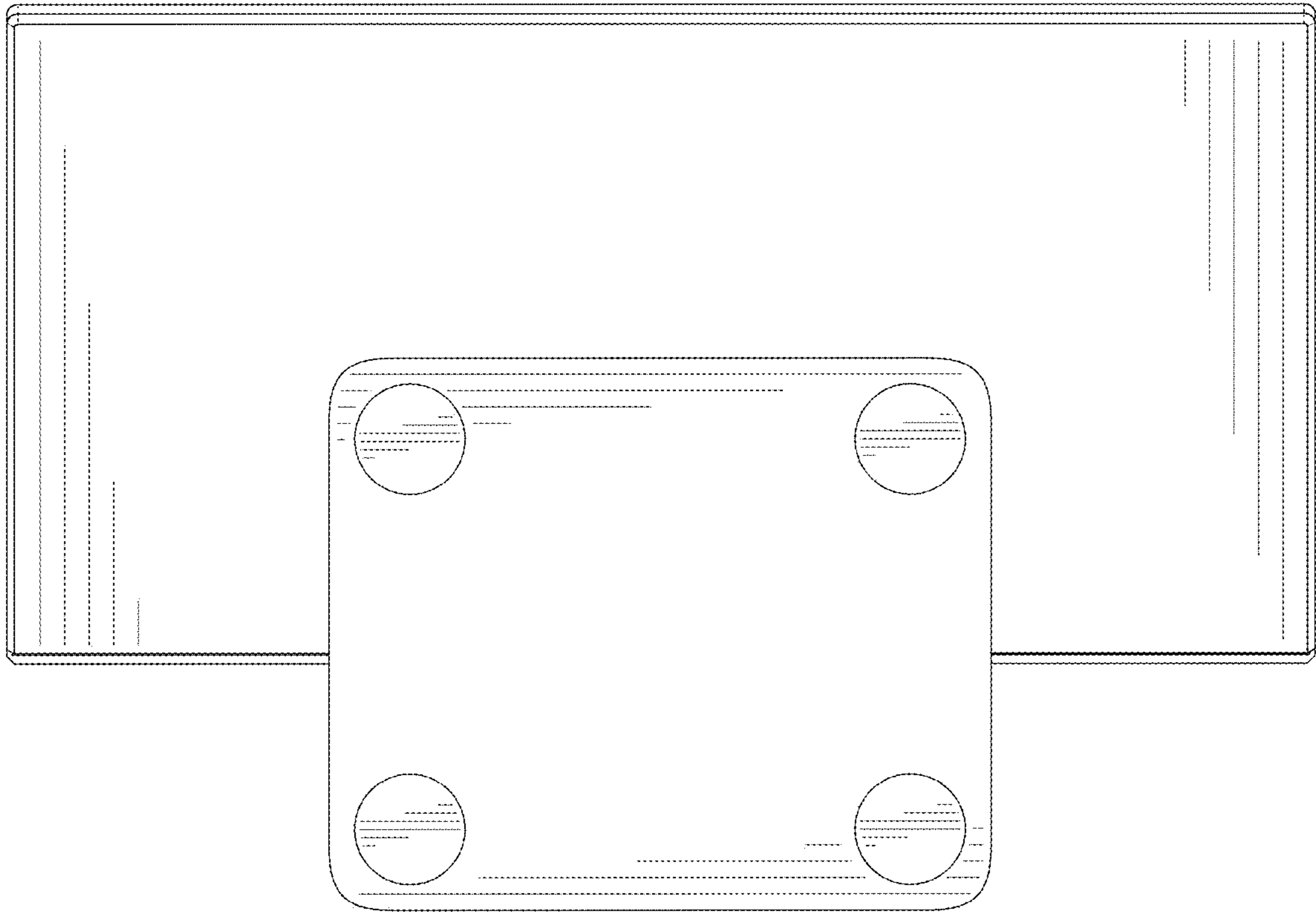


FIG. 8

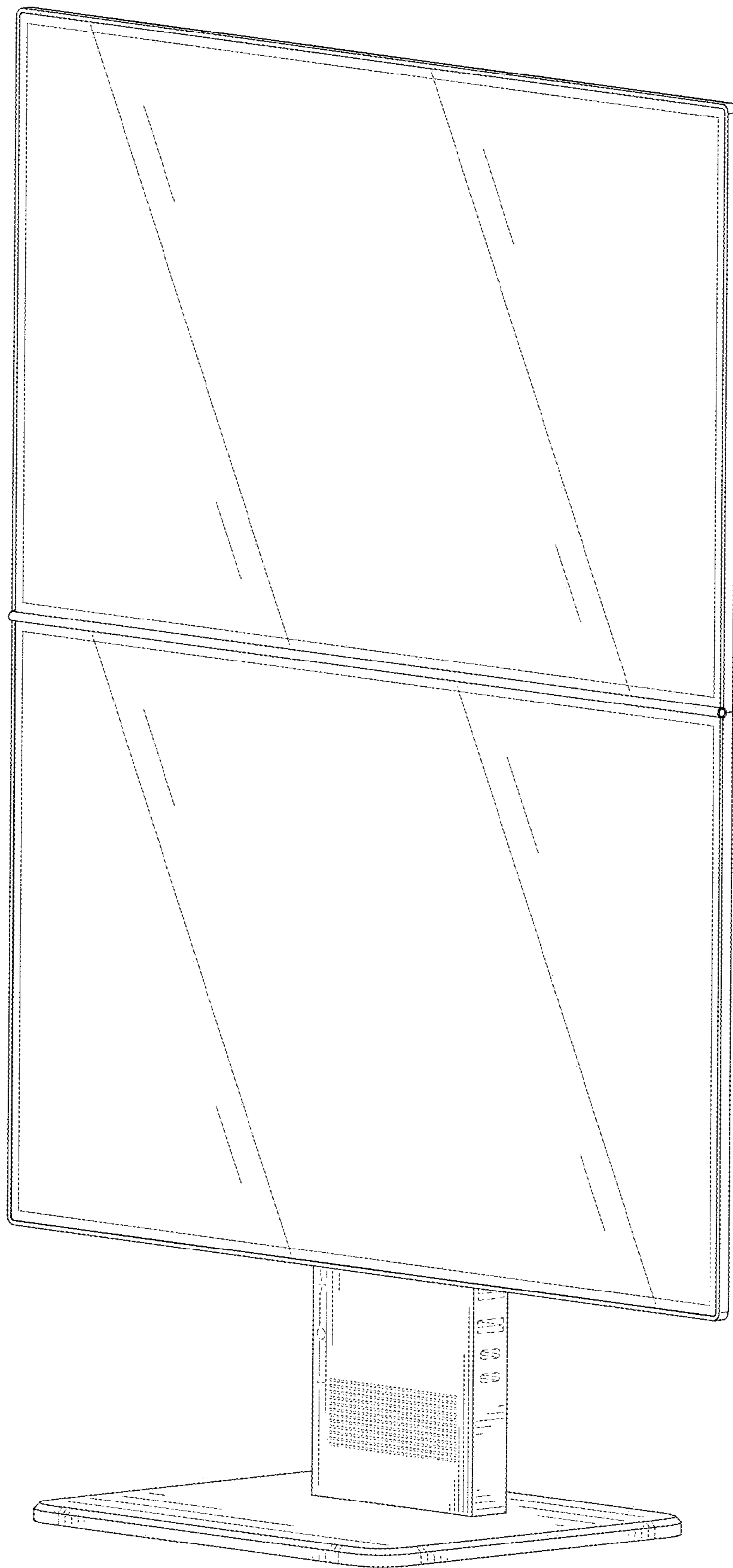


FIG. 9

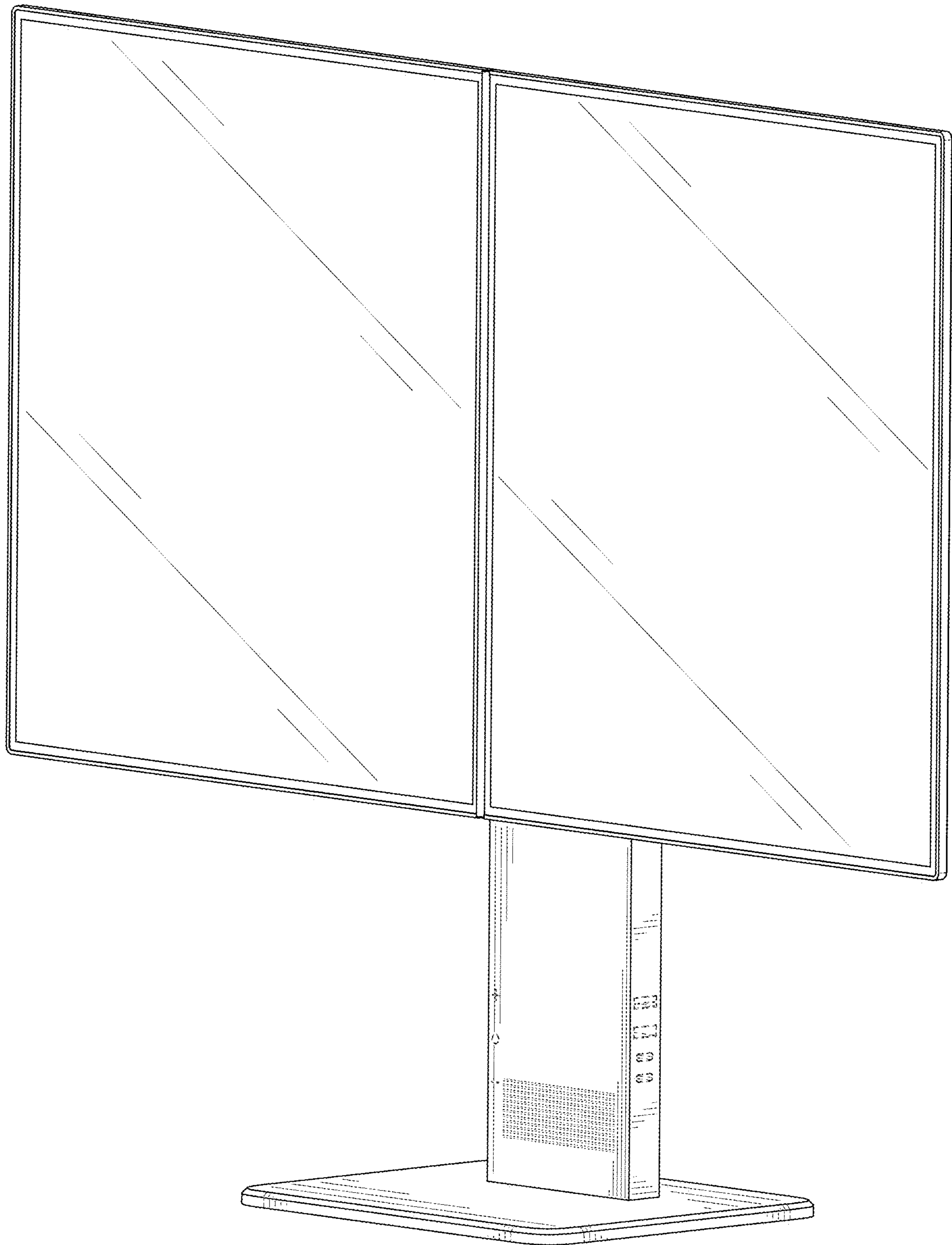


FIG. 10

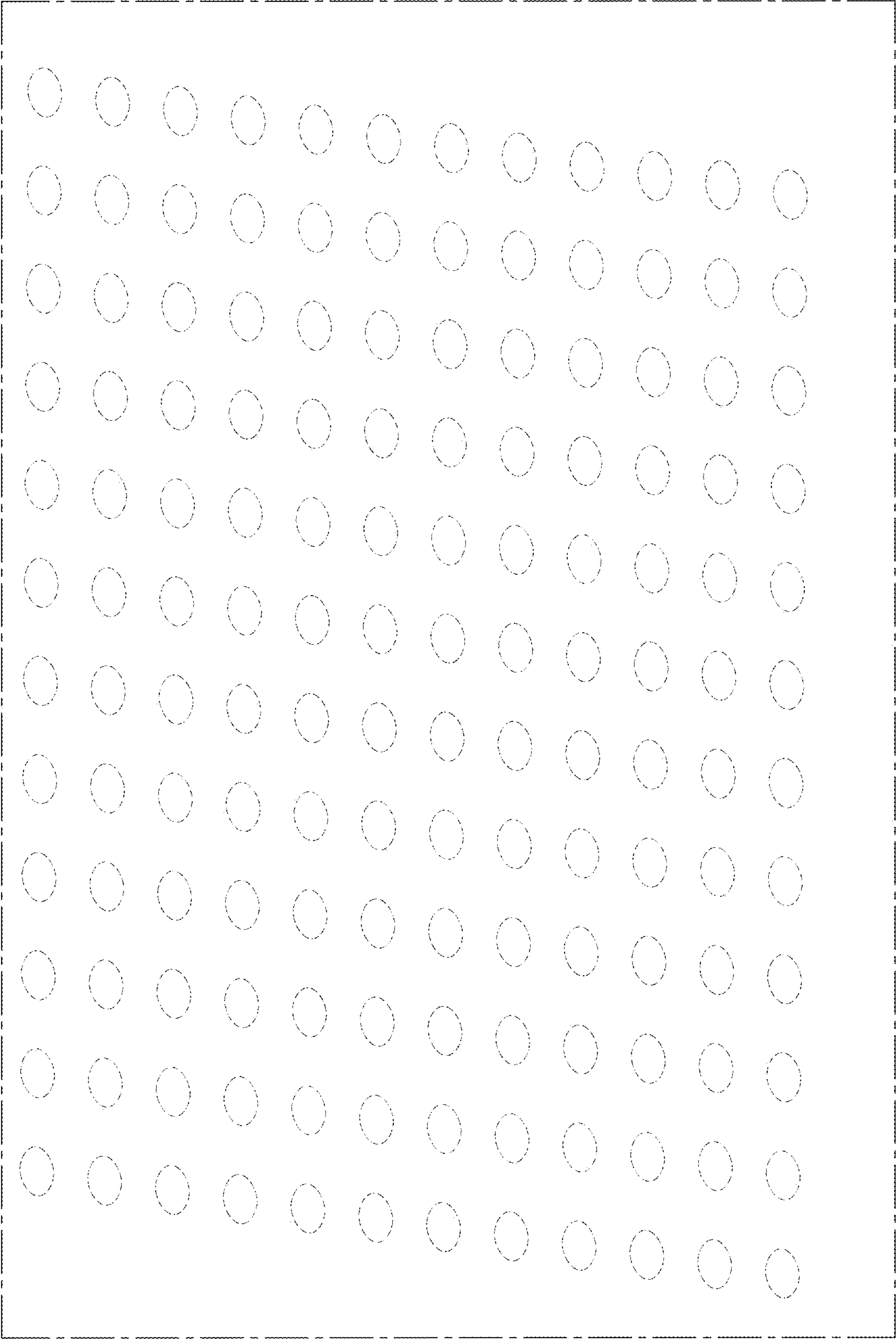


FIG. 11