



US0D1001727S

(12) **United States Design Patent**  
**Pratley et al.**

(10) **Patent No.: US D1,001,727 S**

(45) **Date of Patent: \*\* Oct. 17, 2023**

(54) **BATTERY PACK**

(71) Applicant: **JSP Limited**, Oxford (GB)

(72) Inventors: **David Pratley**, Oxford (GB); **Tom Malloy**, Oxford (GB)

(73) Assignee: **JSP Limited**, Oxford (GB)

(\*\*) Term: **15 Years**

(21) Appl. No.: **29/856,546**

(22) Filed: **Oct. 14, 2022**

**Related U.S. Application Data**

(62) Division of application No. 29/731,813, filed on Apr. 17, 2020, now Pat. No. Des. 968,365.

(30) **Foreign Application Priority Data**

Oct. 18, 2019 (EM) ..... 007061114-0006  
Oct. 18, 2019 (EM) ..... 007061114-0007

(51) **LOC (14) Cl.** ..... **29-02**

(52) **U.S. Cl.**  
USPC ..... **D29/112; D14/205; D13/103**

(58) **Field of Classification Search**  
USPC ..... D14/205, 188, 192, 435; D13/103, 133;  
D29/112; 2/209; D3/294; D21/332;  
128/866; 381/380-381.74, 374, 151, 379,  
381/384, 385; 429/97  
CPC ..... H04R 25/00; H04R 25/02; H04R 1/10;  
H04R 1/1066; H04R 1/105; H04R  
1/1041; H04R 1/1008; A61F 11/14; A61F  
11/06; A42B 3/166  
See application file for complete search history.

(56) **References Cited**

**U.S. PATENT DOCUMENTS**

2,075,196 A 3/1937 Hand  
2,837,607 A \* 6/1958 McGee ..... H04R 25/554  
379/52

3,549,831 A \* 12/1970 Forney ..... H04M 1/05  
455/100  
D229,833 S \* 1/1974 Becker ..... D14/205  
D239,787 S \* 5/1976 Lonnstedt ..... D29/112  
4,069,512 A \* 1/1978 Palmaer ..... A42B 3/166  
2/209  
4,484,029 A \* 11/1984 Kenney ..... H04M 1/05  
379/430

(Continued)

**FOREIGN PATENT DOCUMENTS**

AU 03642/89 S 9/2015  
CN 306941781 S 11/2021

(Continued)

**OTHER PUBLICATIONS**

3M Headsets for Worker Health & Safety, 1 Page.

(Continued)

*Primary Examiner* — Paula Allen Greene

(74) *Attorney, Agent, or Firm* — Faegre Drinker Biddle & Reath LLP

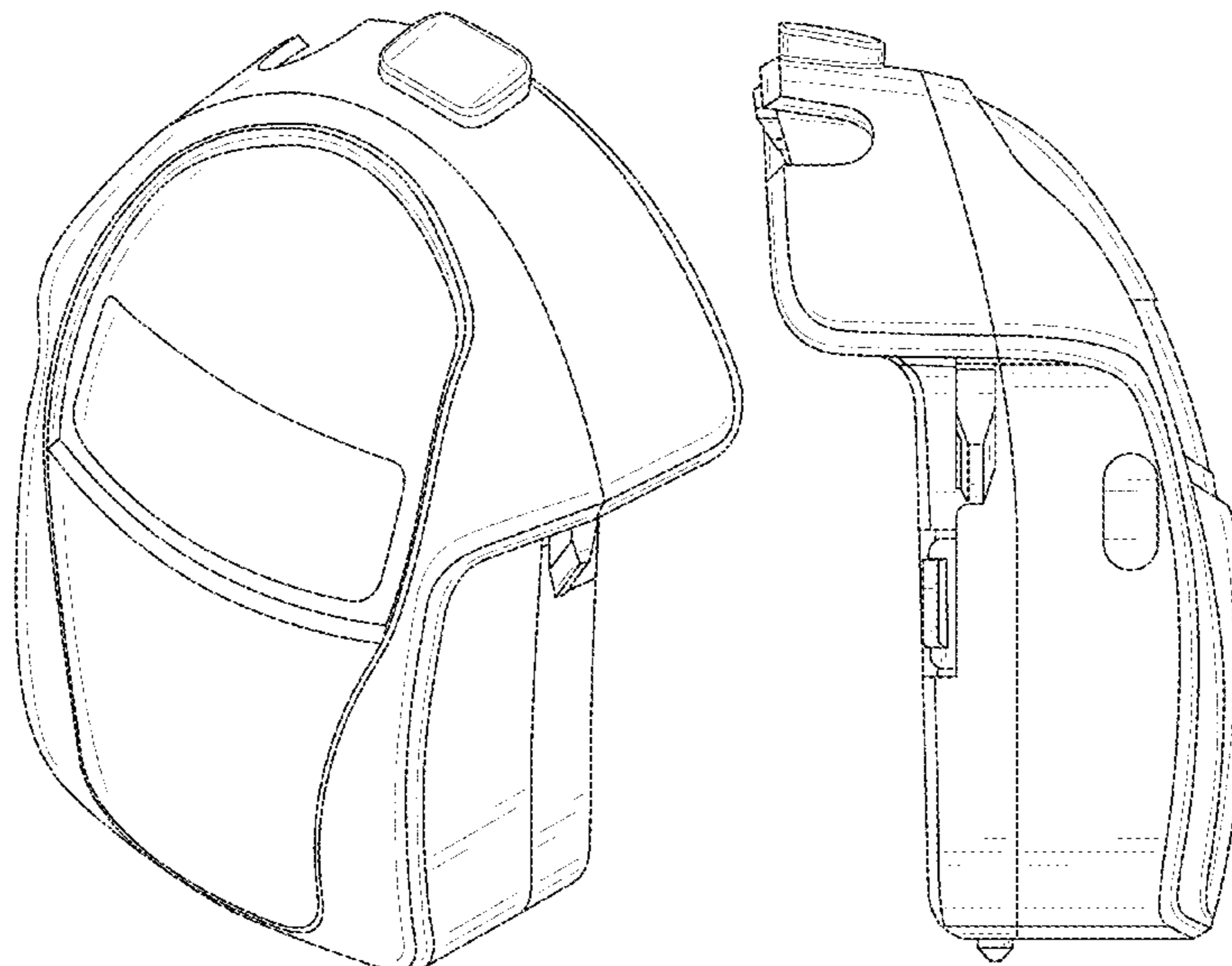
(57) **CLAIM**

The ornamental design for a battery pack, as shown and described.

**DESCRIPTION**

FIG. 1 is an isometric perspective view of a battery pack, illustrating our new design;  
FIG. 2 is a front view thereof;  
FIG. 3 is a back view thereof;  
FIG. 4 is a left view thereof;  
FIG. 5 is a right view thereof;  
FIG. 6 is a top view thereof; and,  
FIG. 7 is a bottom view thereof.

**1 Claim, 7 Drawing Sheets**



(56)

References Cited

U.S. PATENT DOCUMENTS

4,529,057 A \* 7/1985 Telford ..... A61F 11/14  
128/868

4,654,883 A 3/1987 Iwata

D298,670 S \* 11/1988 Palmaer ..... D29/112

D299,025 S 12/1988 Besasie

D299,337 S 1/1989 Wiegel

5,056,161 A 10/1991 Breen

5,086,464 A \* 2/1992 Groppe ..... H04M 1/05  
379/430

5,113,428 A \* 5/1992 Fitzgerald ..... H04M 1/6041  
379/430

D327,888 S 7/1992 Fitzgerald

D331,566 S \* 12/1992 Seymour ..... D13/103

5,384,857 A \* 1/1995 Nordin ..... A61F 11/14  
381/374

D358,127 S \* 5/1995 Berry ..... D13/103

D364,617 S \* 11/1995 Fitzgerald ..... D14/206

D367,256 S \* 2/1996 Tokunaga ..... D13/103

5,508,123 A \* 4/1996 Fan ..... H01M 50/213  
429/96

5,574,795 A \* 11/1996 Seki ..... H04R 5/0335  
381/385

D377,174 S 1/1997 Runquist

D378,912 S \* 4/1997 Oikawa ..... D13/147

5,707,757 A \* 1/1998 Lee ..... H01M 50/30  
429/97

5,721,775 A 2/1998 Leifer

D394,436 S 5/1998 Hall et al.

5,793,865 A \* 8/1998 Leifer ..... H04R 1/105  
D14/206

5,794,127 A \* 8/1998 Lansang ..... H04R 1/1041  
455/100

D403,126 S 12/1998 Scanlon et al.

D403,128 S 12/1998 Scanlon et al.

D410,238 S 5/1999 Sloan

D411,200 S \* 6/1999 Almqvist ..... D29/112

D413,413 S \* 8/1999 Dillon ..... D29/112

D419,131 S \* 1/2000 Andrews ..... D13/103

D434,191 S \* 11/2000 Emilsson ..... D29/112

D459,337 S \* 6/2002 Mori ..... D14/192

6,406,811 B1 6/2002 Hall et al.

D468,264 S \* 1/2003 Sugino ..... D13/133

6,560,346 B2 5/2003 Ohta et al.

D478,127 S \* 8/2003 Nishikawa ..... D14/435

6,625,293 B1 9/2003 Nageno et al.

D491,163 S \* 6/2004 Green ..... D14/205

D506,065 S \* 6/2005 Sugino ..... D13/103

6,965,681 B2 \* 11/2005 Almqvist ..... H04R 1/1041  
381/384

D520,492 S \* 5/2006 Chen ..... D14/205

7,114,823 B2 10/2006 McCullough et al.

D566,697 S 4/2008 Nielsen et al.

D580,852 S \* 11/2008 Heinzen ..... D13/103

D594,403 S \* 6/2009 Yang ..... D13/103

D616,865 S \* 6/2010 Marchand ..... D14/205

7,766,120 B2 8/2010 Hansson et al.

D633,036 S \* 2/2011 Murray ..... D13/103

D633,894 S 3/2011 Meyer et al.

D648,706 S 11/2011 Gresko et al.

8,075,153 B2 12/2011 Werner

8,189,801 B2 \* 5/2012 Heringslack ..... A61F 11/14  
381/71.7

D663,900 S 7/2012 Karlsson et al.

8,443,467 B2 \* 5/2013 Chiang ..... A61F 11/06  
2/209

D686,985 S \* 7/2013 Henderson ..... D13/107

D703,183 S \* 4/2014 Moriya ..... H04R 1/1008  
D14/206

8,741,474 B2 \* 6/2014 Melnyk ..... H01M 50/296  
429/185

D725,031 S \* 3/2015 Tinius ..... D13/103

D734,745 S 7/2015 Tatkon-Coker et al.

D736,177 S 8/2015 Winters et al.

D736,475 S 8/2015 Fletcher et al.

D744,171 S \* 11/2015 Rose ..... D29/112

D747,557 S 1/2016 Bonney et al.

9,246,156 B2 \* 1/2016 Kwag ..... H01M 50/284

D752,816 S \* 3/2016 Fletcher ..... D29/112

D753,884 S \* 4/2016 Bonney ..... D29/112

D763,225 S \* 8/2016 Bin ..... D14/205

D763,518 S 8/2016 Fletcher et al.

D764,717 S 8/2016 Fletcher et al.

D766,520 S 9/2016 Fletcher et al.

D789,615 S 6/2017 Pratley

D790,506 S 6/2017 Broadley et al.

D805,257 S \* 12/2017 Maansson ..... D29/112

D805,697 S 12/2017 Pratley

D807,584 S \* 1/2018 Fletcher ..... D29/112

D821,653 S 6/2018 Pratley

D830,642 S \* 10/2018 Fletcher ..... D29/112

D848,396 S \* 5/2019 Wilson ..... A61F 11/14  
D29/112

D851,839 S 6/2019 Scanlon

D868,732 S \* 12/2019 Jaspers ..... D14/205

D877,422 S \* 3/2020 Lebel ..... D29/112

D885,683 S 5/2020 Qiu

D890,129 S \* 7/2020 Liu ..... D14/206

D899,403 S 10/2020 Zhu

D908,612 S \* 1/2021 Sexton ..... D13/103

D921,992 S 6/2021 Hemeyer et al.

D925,491 S 7/2021 Still

D945,980 S \* 3/2022 King ..... D14/205

D965,554 S \* 10/2022 White ..... D14/205

D968,365 S \* 11/2022 Pratley ..... D14/206

D973,017 S \* 12/2022 Sexton ..... D13/103

2005/0283882 A1 \* 12/2005 Berger ..... A61F 11/14  
2/209

2006/0090246 A1 \* 5/2006 Cozens ..... H04M 1/05  
2/209

2007/0053544 A1 \* 3/2007 Jhao ..... H04M 1/6066  
381/384

2009/0154740 A1 6/2009 Regen et al.

2009/0205900 A1 \* 8/2009 Purcell ..... A61F 11/14  
181/129

2009/0323975 A1 12/2009 Groesch

2010/0221591 A1 \* 9/2010 Roßkamp ..... H01M 50/247  
429/99

2011/0170718 A1 \* 7/2011 Fukuda ..... H04R 1/1075  
381/151

2011/0314594 A1 12/2011 Rogers et al.

2012/0077438 A1 \* 3/2012 Jung ..... H04R 1/1066  
455/41.2

2012/0105740 A1 5/2012 Jannard et al.

2012/0164587 A1 \* 6/2012 Singer ..... B82Y 10/00  
430/326

2013/0202135 A1 \* 8/2013 Hedrick ..... H04R 1/105  
381/151

2013/0340769 A1 \* 12/2013 Roos ..... A61F 11/14  
128/866

2016/0072106 A1 \* 3/2016 Baumgartner ..... H01M 50/247  
320/113

2016/0080853 A1 3/2016 Chen

2016/0142811 A1 \* 5/2016 Honda ..... H04R 1/1058  
381/379

2016/0196100 A1 \* 7/2016 Yow ..... H04R 1/1041  
381/74

2016/0286019 A1 9/2016 Broadley et al.

2016/0302029 A1 10/2016 Broadley et al.

2017/0150769 A1 6/2017 Lebel et al.

2017/0245043 A1 8/2017 Abbott et al.

2018/0115817 A1 4/2018 Prohaszka

2019/0373353 A1 12/2019 Yuen et al.

2022/0174387 A1 \* 6/2022 Mang ..... A61F 11/145

2023/0023459 A1 \* 1/2023 Lindell ..... A61F 11/14

2023/0072510 A1 \* 3/2023 Górová ..... H04R 1/1008

FOREIGN PATENT DOCUMENTS

EM 001245690-0002 12/2010

EM 003167410-0008 12/2017

EM 008642748-0002 8/2021

EP 1689337 A1 8/2006



(56)

**References Cited**

## FOREIGN PATENT DOCUMENTS

EP	3254278	A1	12/2017
JP	2006-121455	A	5/2006
WO	2005/051255	A1	6/2005
WO	2008/122081	A1	10/2008
WO	2009/131518	A1	10/2009
WO	2016/126476	A1	8/2016

## OTHER PUBLICATIONS

3M Protective Communications for Worker Health & Safety, [https://www.3m.co.uk/3M/en\\_GB/company-uk/3m-products/~/All-3M-Products/Safety/Worker-Health-Safety/Protective-Communications/?N=5002385+8709322+8711017+8711405+8720540&rt=r3](https://www.3m.co.uk/3M/en_GB/company-uk/3m-products/~/All-3M-Products/Safety/Worker-Health-Safety/Protective-Communications/?N=5002385+8709322+8711017+8711405+8720540&rt=r3), 7 Pages.

3M WorkTunes AM/FM Hearing Protector with Audio Assist Technology, 24 dB NRR, Ear protection for Mowing, Snowblowing, Construction, Work Shops, Amazon.com—[http://www.amazon.com/gp/product/images/B0013092CS/ref=dp\\_image\\_0?ie=UTF8&n=228013&s=hi](http://www.amazon.com/gp/product/images/B0013092CS/ref=dp_image_0?ie=UTF8&n=228013&s=hi), 9 Pages.

Headset, 26dB, Headband, Grainger (Registered), Grainger.com—[https://www.grainger.com/product/3M-Headset-52WZ32?s\\_pp=false&picUrl=//static.grainger.com/rp/s/is/image/Grainger/52WZ32\\_AS01?%smthumb\\$](https://www.grainger.com/product/3M-Headset-52WZ32?s_pp=false&picUrl=//static.grainger.com/rp/s/is/image/Grainger/52WZ32_AS01?%smthumb$) 2 Pages.

Hearing Protection, JSP, <https://www.jspsafety.com/link/en/hearing-protection-ear-defenders-ear-plugs/c/>, 4 pages.

\* cited by examiner

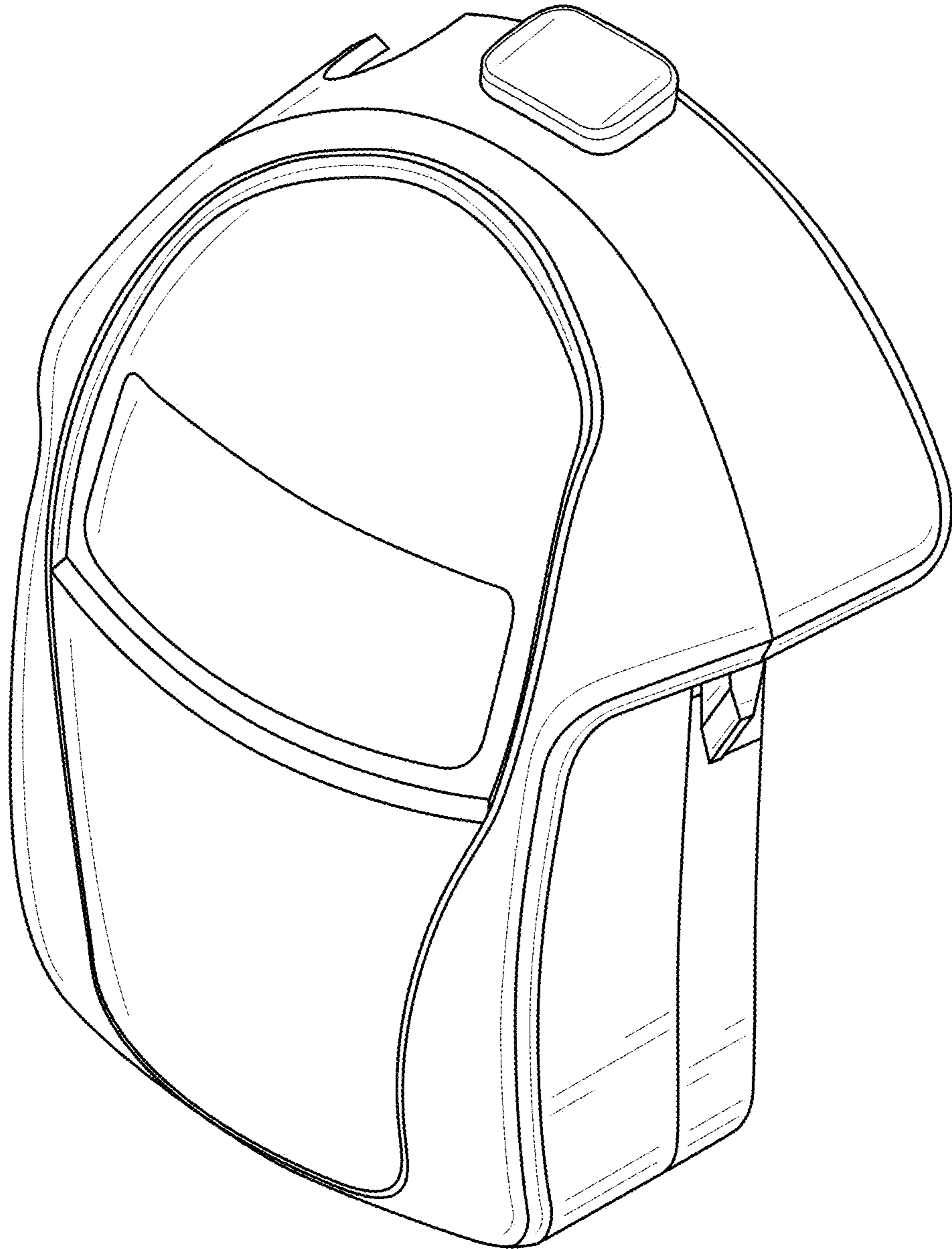


FIG. 1

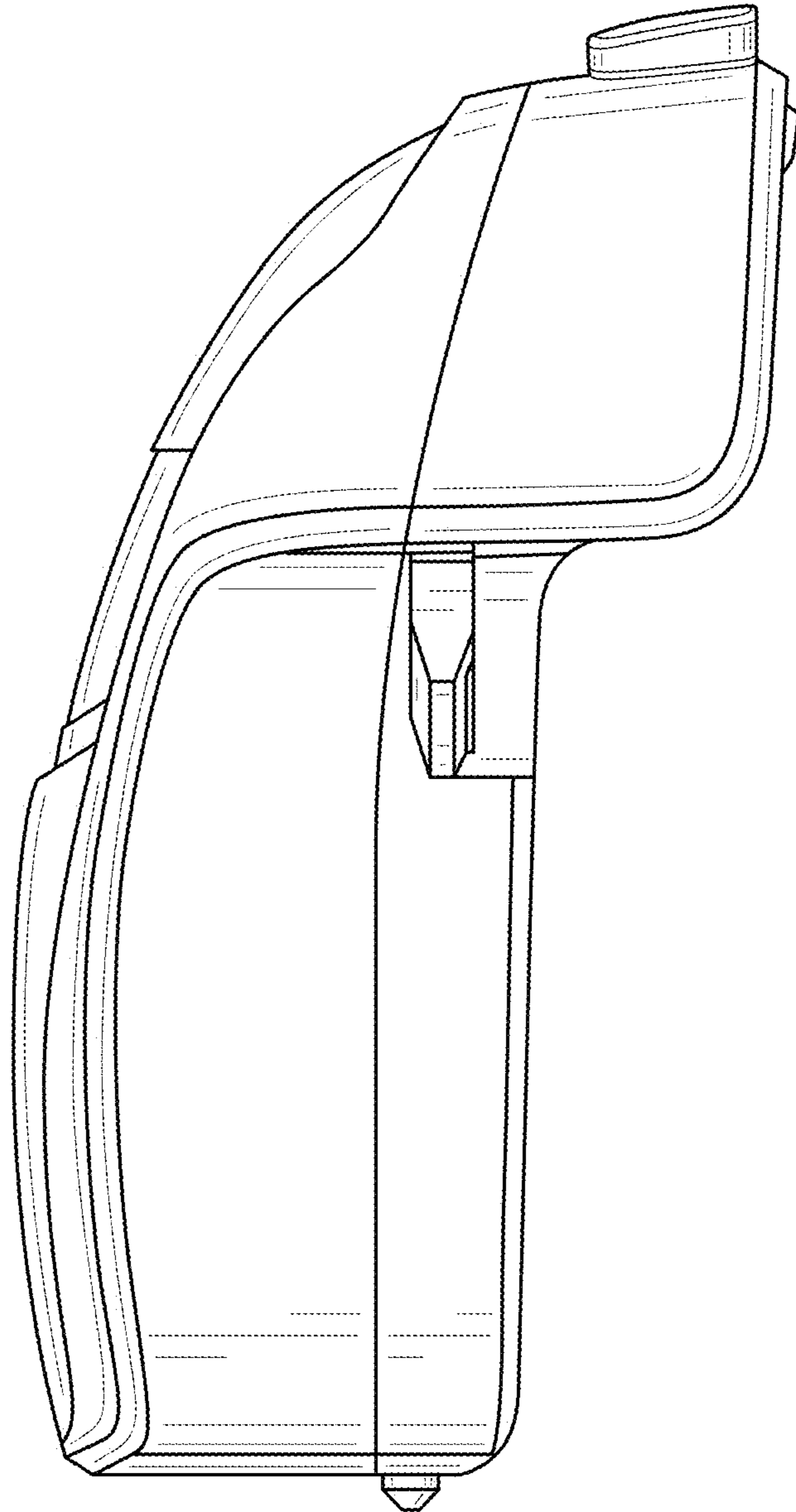


FIG. 2

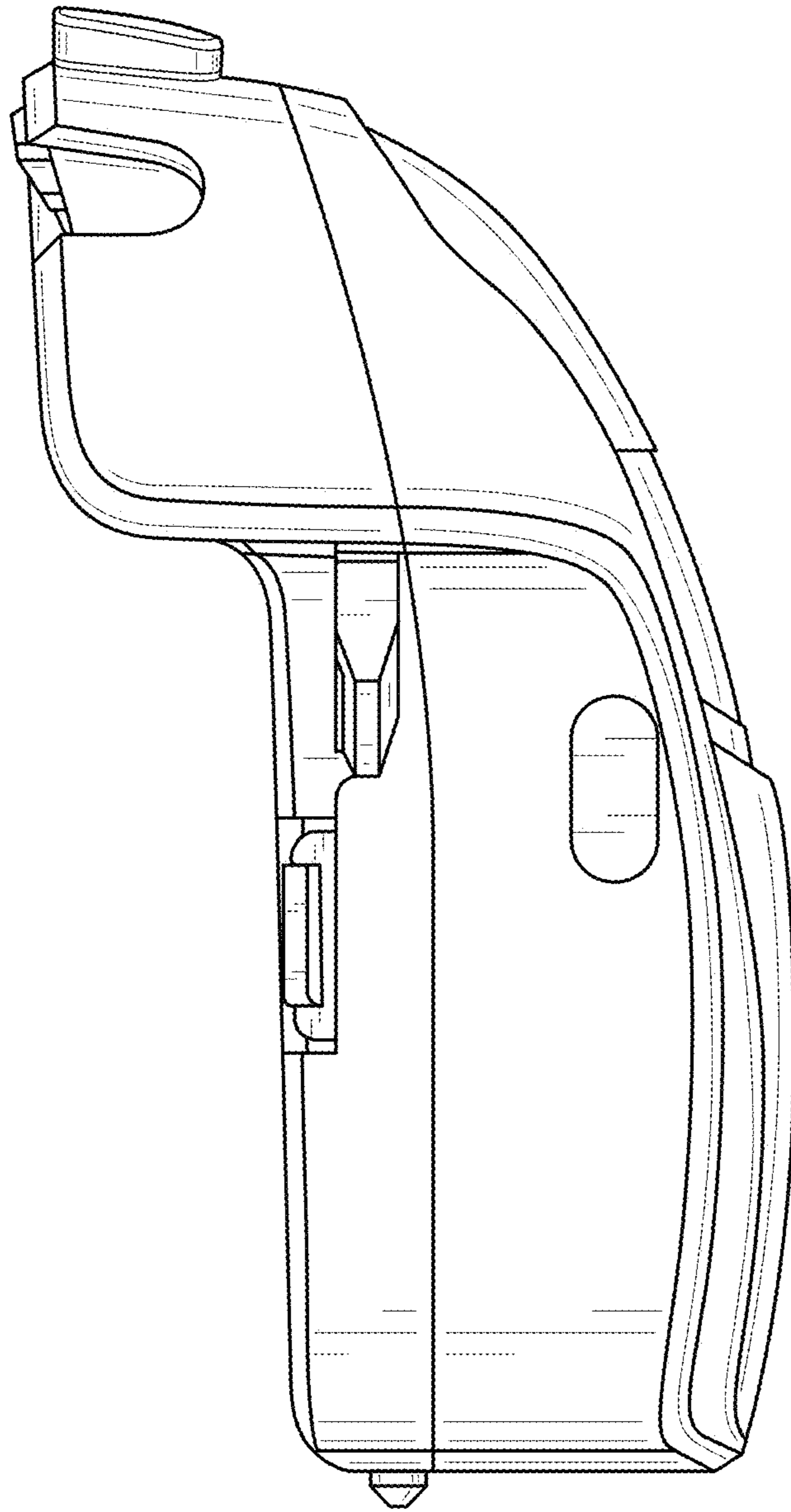


FIG. 3

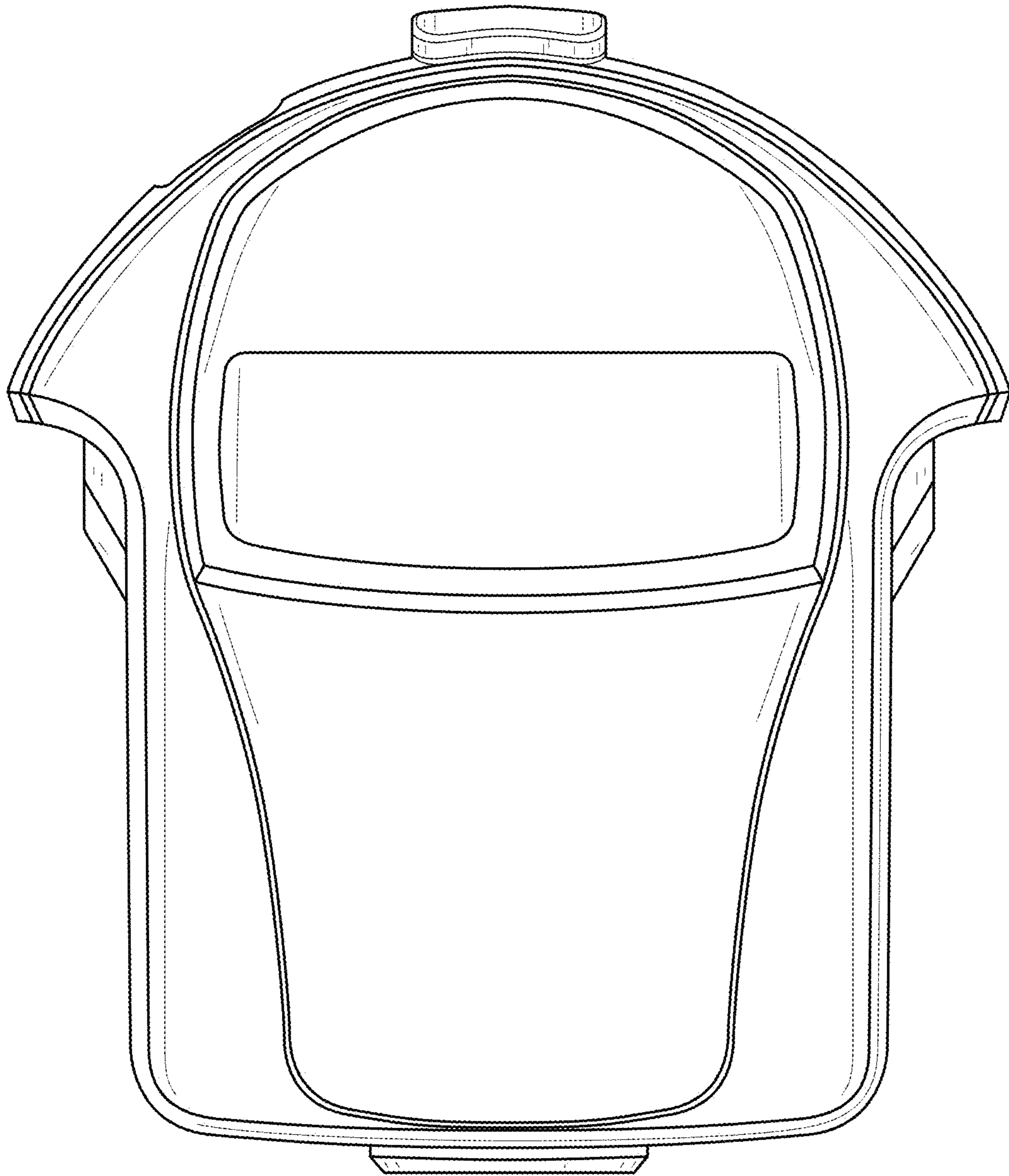


FIG. 4

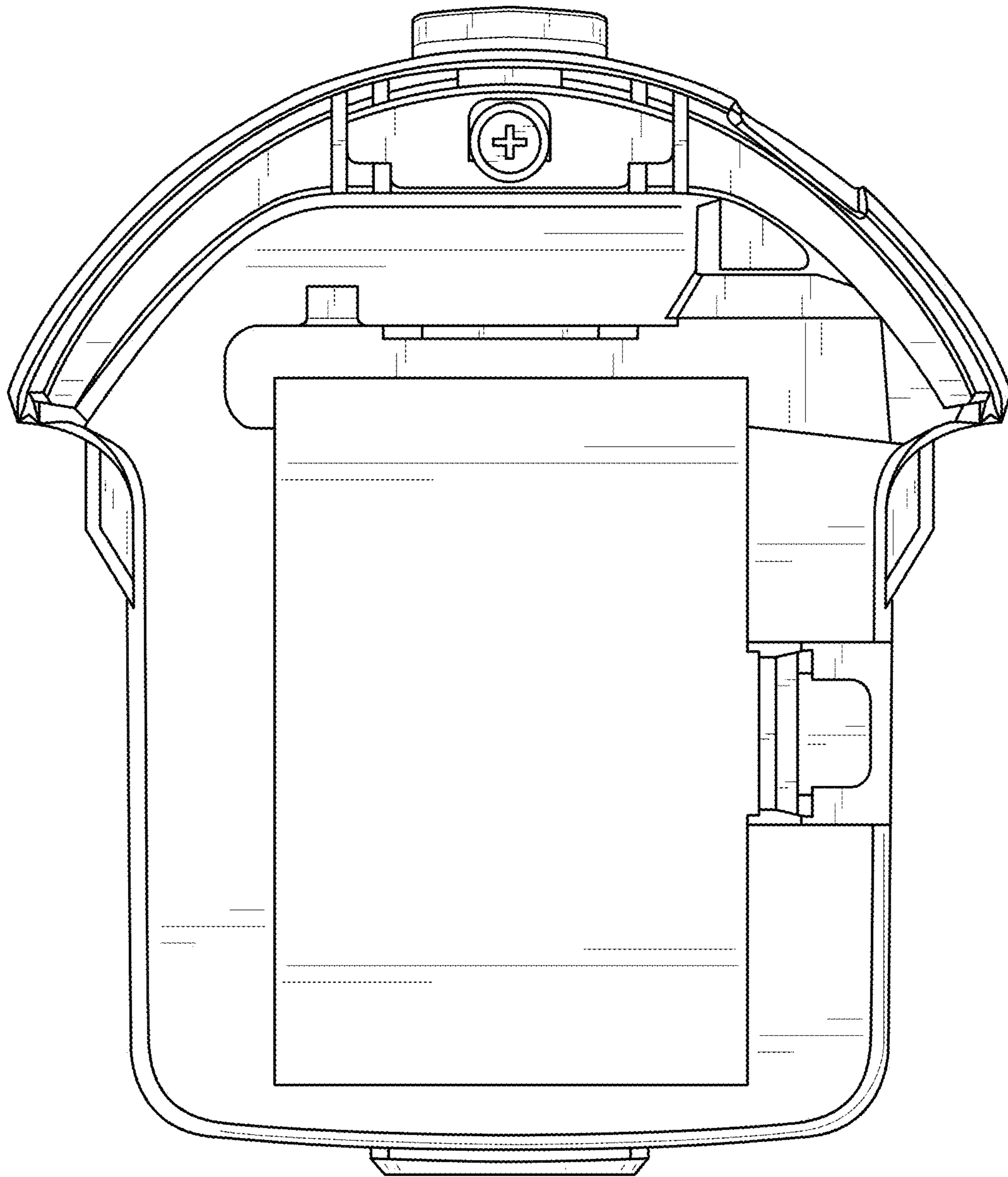


FIG. 5



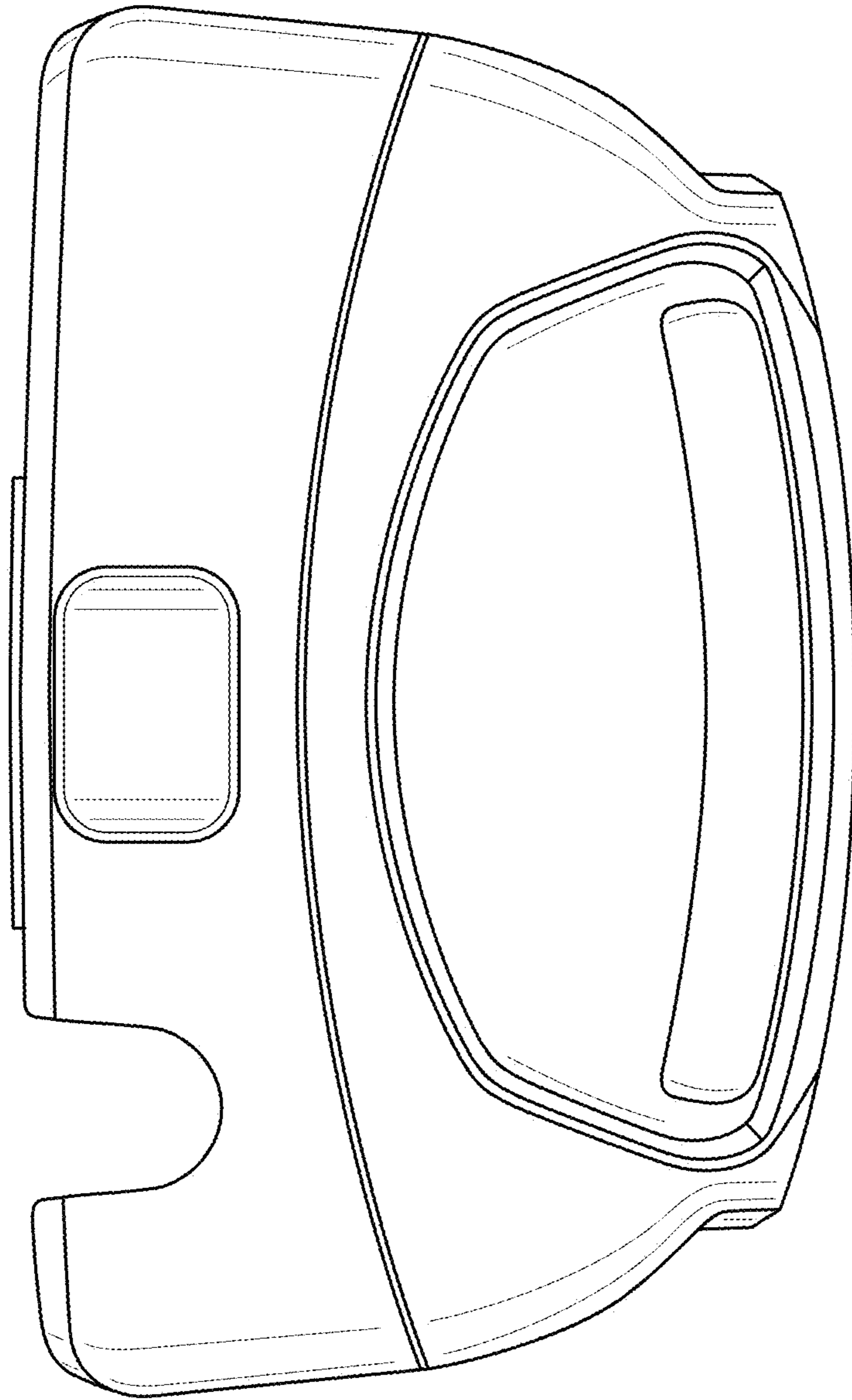


FIG. 6

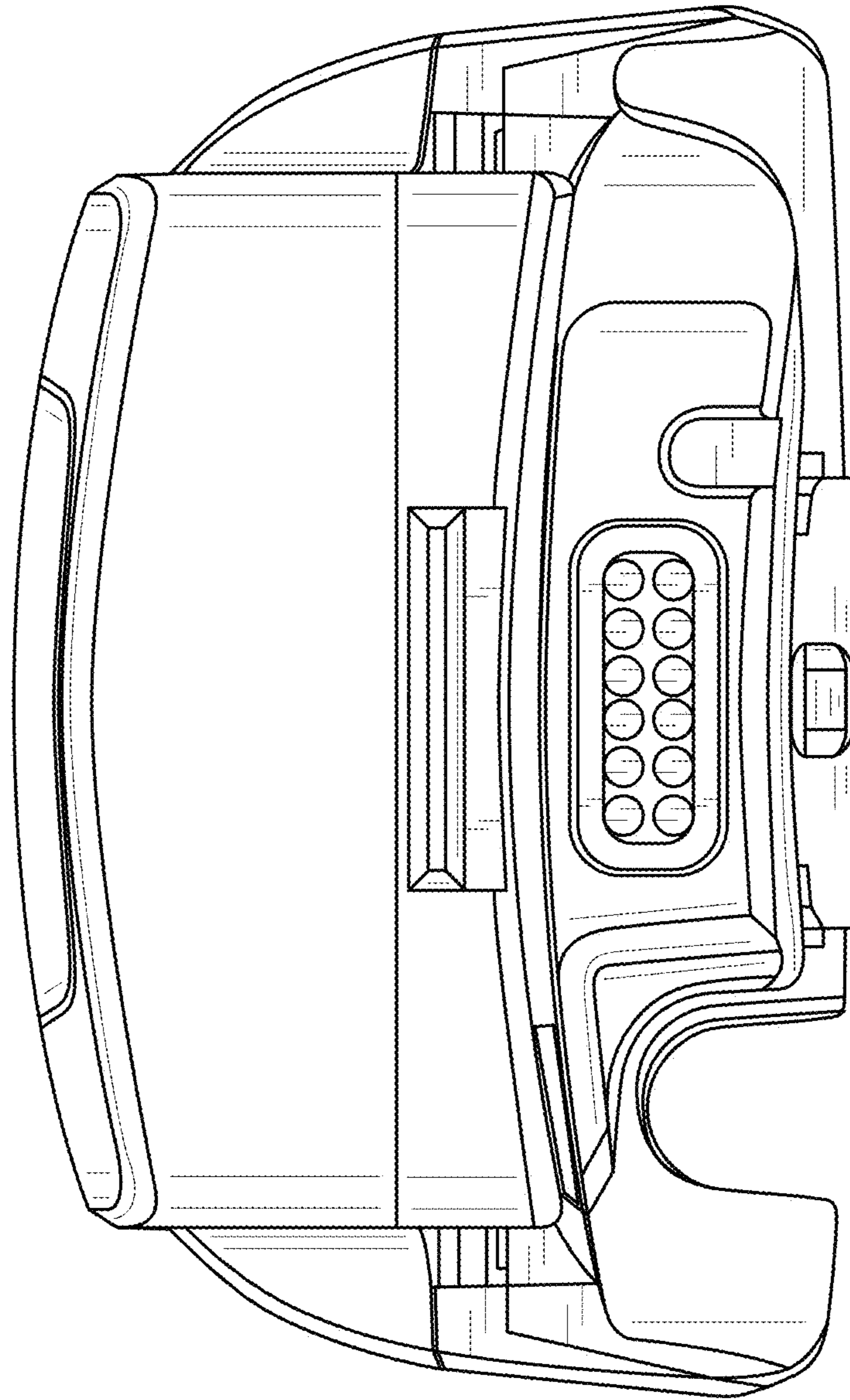


FIG. 7