



US0D1001665S

(12) **United States Design Patent**
Thompson

(10) **Patent No.:** **US D1,001,665 S**

(45) **Date of Patent:** **** Oct. 17, 2023**

(54) **LIGHT BAR**

DESCRIPTION

- (71) Applicant: **Electronic Controls Company**, Boise, ID (US)
- (72) Inventor: **Nicholaus M. Thompson**, Kuna, ID (US)
- (73) Assignee: **Electronic Controls Company**, Boise, ID (US)
- (**) Term: **15 Years**
- (21) Appl. No.: **29/718,475**
- (22) Filed: **Dec. 24, 2019**
- (51) **LOC (14) Cl.** **10-05**
- (52) **U.S. Cl.**
USPC **D10/114.1**
- (58) **Field of Classification Search**
USPC D10/104.1, 109.1, 109.2
(Continued)

(56) **References Cited**

U.S. PATENT DOCUMENTS

- D627,247 S * 11/2010 Shin D10/114.4
 - D644,135 S * 8/2011 Cai D10/114.4
- (Continued)

OTHER PUBLICATIONS

ECCOESG.com, Ecco 16 Series Lightbar, Copyright 2023. Retrieved from the internet Apr. 8, 2023. <URL: <https://www.eccoescg.com/us/en/products/lightbars/lightbars/16-series-lightbar>> (Year: 2023).*

Primary Examiner — Joseph Kukella
(74) *Attorney, Agent, or Firm* — Stoel Rives LLP

(57) **CLAIM**

The ornamental design for a LIGHT BAR, substantially as shown and described.

FIG. 1 is a top isometric view of a light bar, according to a first embodiment.

FIG. 2 is a right side elevation view thereof, of which a left side view is identical.

FIG. 3 is a front elevation view thereof, of which a rear elevation view is identical.

FIG. 4 is a top plan view thereof.

FIG. 5 is a top isometric view of a light bar, according to a second embodiment.

FIG. 6 is a right side elevation view thereof, of which a left side view is identical.

FIG. 7 is a front elevation view thereof, of which a rear elevation view is identical.

FIG. 8 is a top plan view thereof.

FIG. 9 is a top isometric view of a light bar, according to a third embodiment.

FIG. 10 is a right side elevation view thereof, of which a left side view is identical.

FIG. 11 is a front elevation view thereof, of which a rear elevation view is identical.

FIG. 12 is a top plan view thereof.

FIG. 13 is a top isometric view of a light bar, according to a fourth embodiment.

FIG. 14 is a right side elevation view thereof, of which a left side view is identical.

FIG. 15 is a front elevation view thereof, of which a rear elevation view is identical.

FIG. 16 is a top plan view thereof.

FIG. 17 is a top isometric view of a light bar, according to a fifth embodiment.

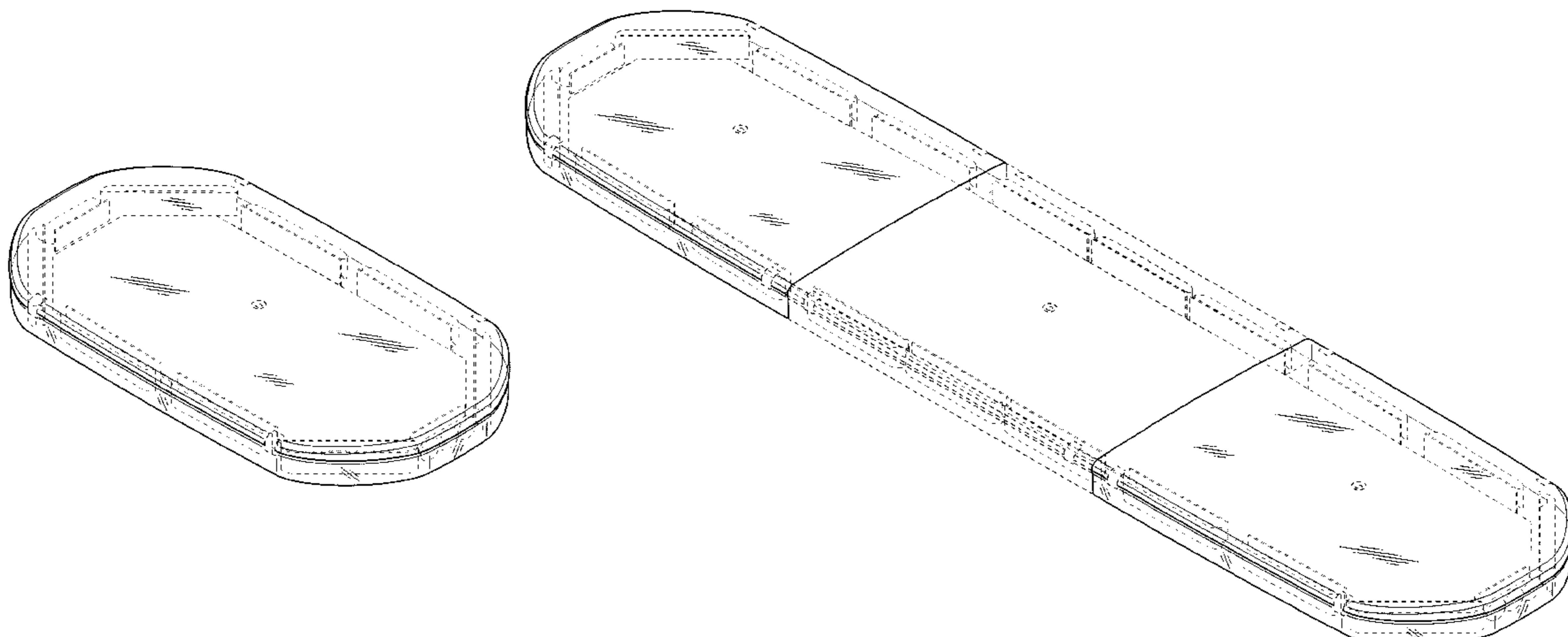
FIG. 18 is a right side elevation view thereof, of which a left side view is identical.

FIG. 19 is a front elevation view thereof, of which a rear elevation view is identical.

FIG. 20 is a top plan view thereof.

In FIGS. 1-20, broken lines are illustrative of portions of the light bar forming no part of the claimed design.

1 Claim, 9 Drawing Sheets



(58) **Field of Classification Search**

USPC ... D10/110, 111, 114.1-114.8; D12/190, 401,
D12/406, 412, 414; D26/28, 35, 36
CPC B60Q 1/02; B60Q 1/04; B60Q 1/0029;
B60Q 1/0035; B60Q 1/0041; B60Q 1/0047;
B60Q 1/0052; B60Q 1/0058; B60Q 1/0416;
B60Q 1/0425; B60Q 1/0433; B60Q 1/0441;
B60Q 1/0483; B60Q 1/2611

See application file for complete search history.

(56) **References Cited**

U.S. PATENT DOCUMENTS

D750,523	S *	3/2016	Yu	D10/114.4
D751,444	S *	3/2016	Goltche	D10/114.4
D760,104	S *	6/2016	Jacobs et al.	D10/114.4
9,611,993	B2*	4/2017	Olson	F21S 43/40
D864,008	S *	10/2019	Goltche	D10/114.4
D870,585	S *	12/2019	Lyons et al.	D10/114.4
D870,586	S *	12/2019	Lyons et al.	D10/114.4
10,598,371	B2	3/2020	Lyons	
D893,333	S *	8/2020	Lyons et al.	F21S 43/40 D10/114.4
D941,695	S *	1/2022	Lyons et al.	F21V 5/04 D10/114.4
2010/0073948	A1*	3/2010	Stein et al.	F21V 5/04 340/908

* cited by examiner

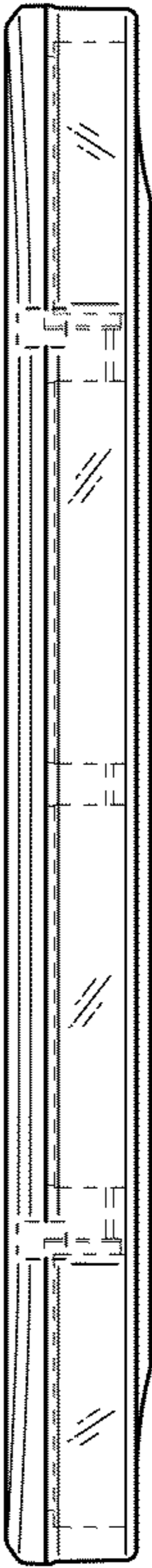
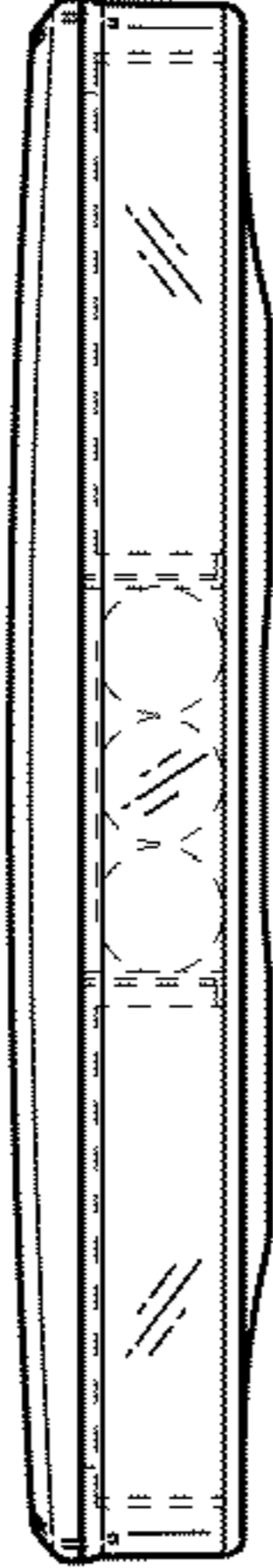
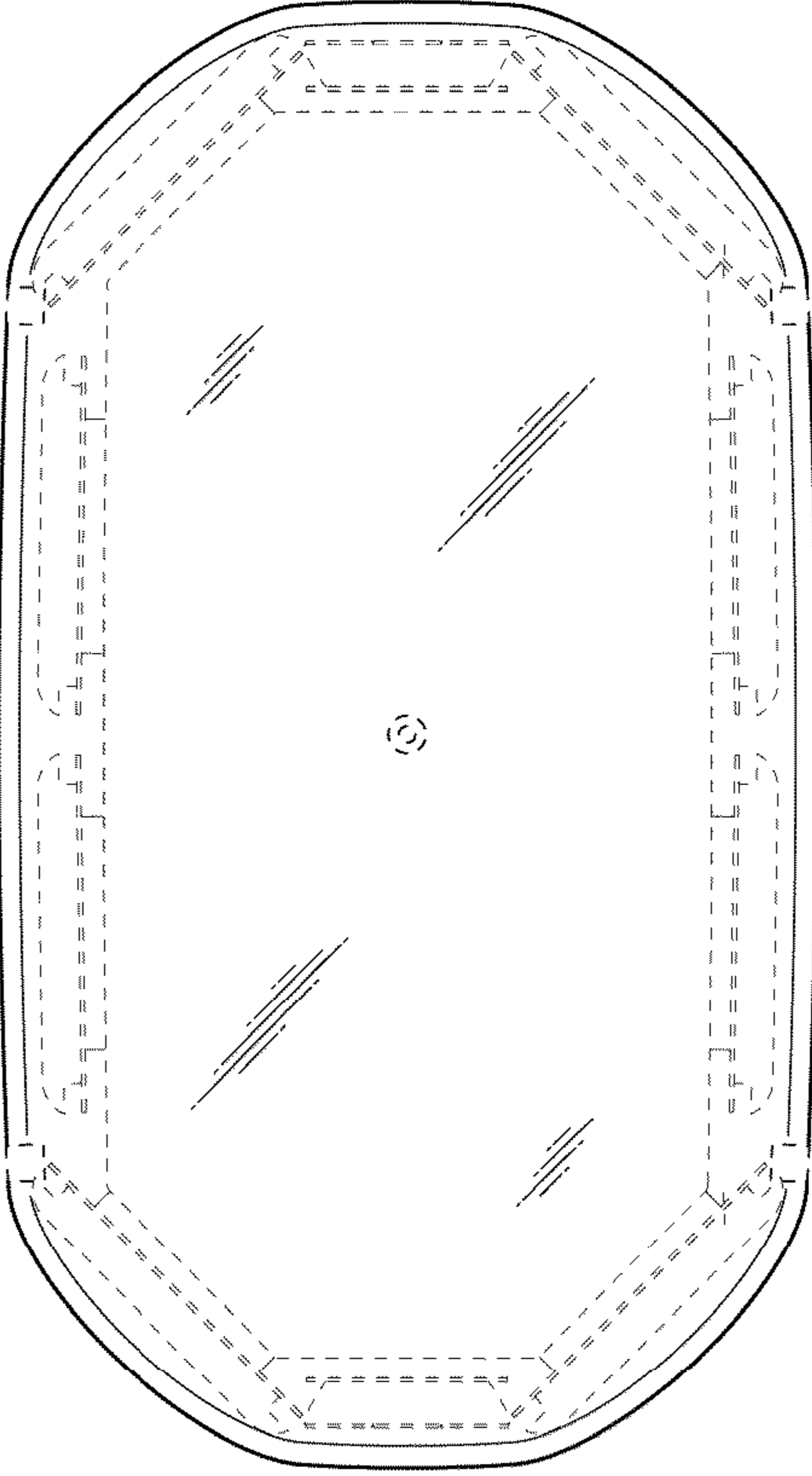
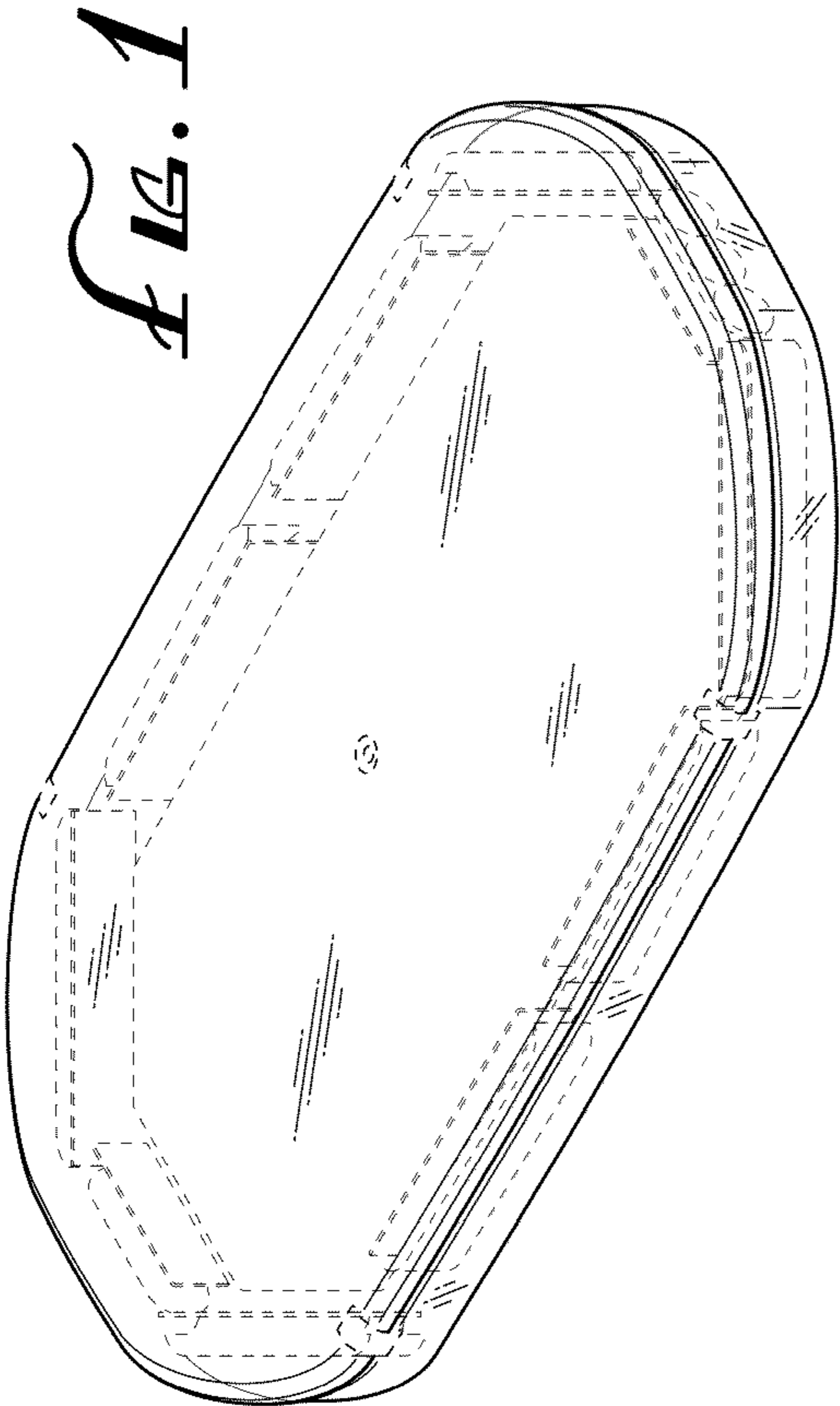


FIG. 3

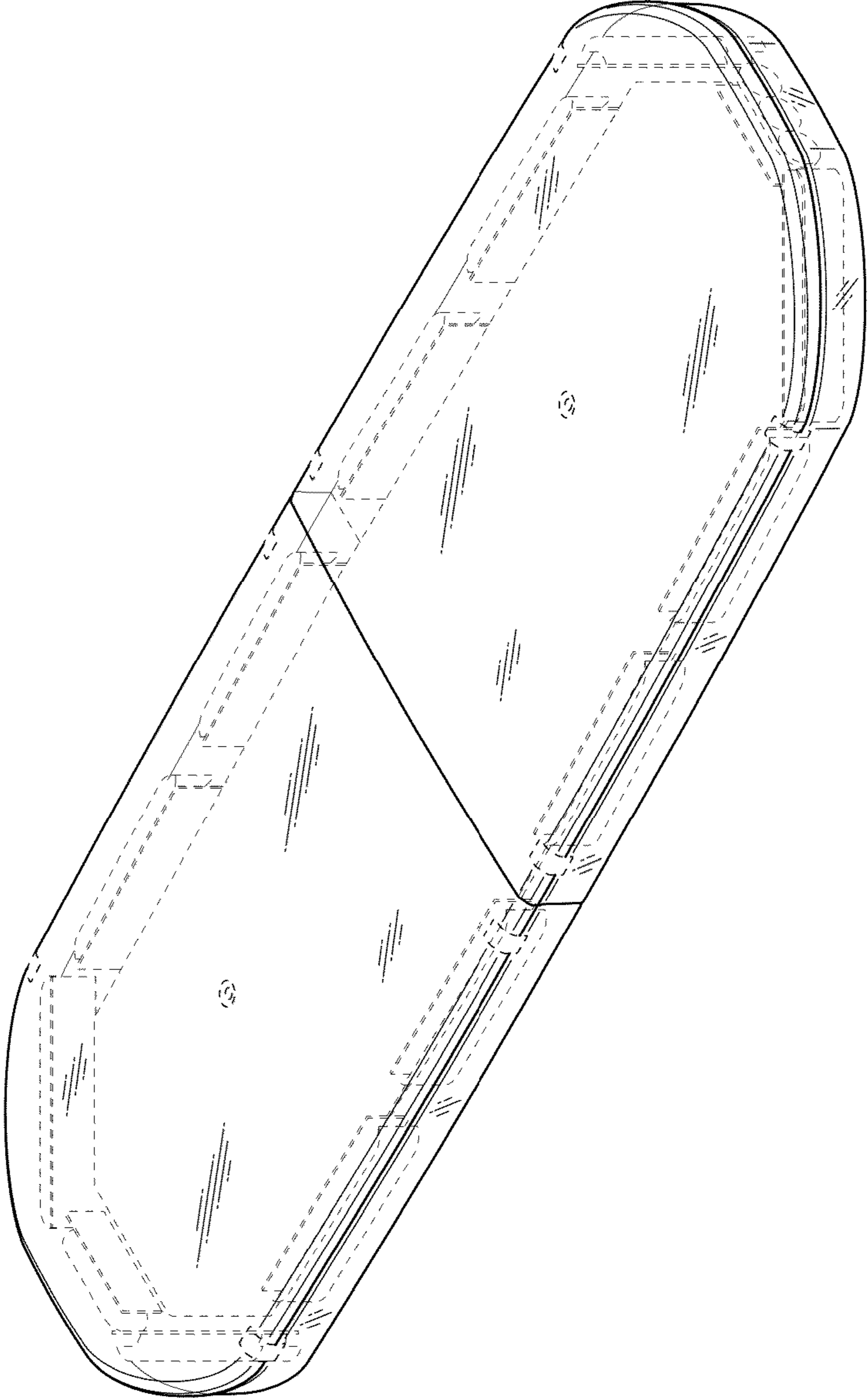


FIG. 5



FIG. 6

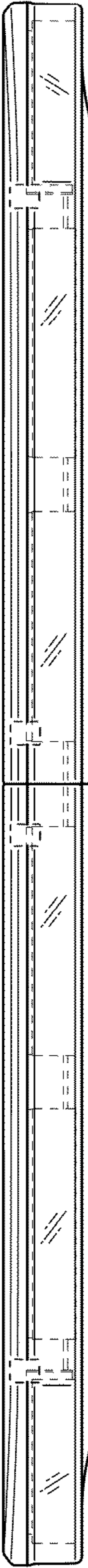


Fig. 7

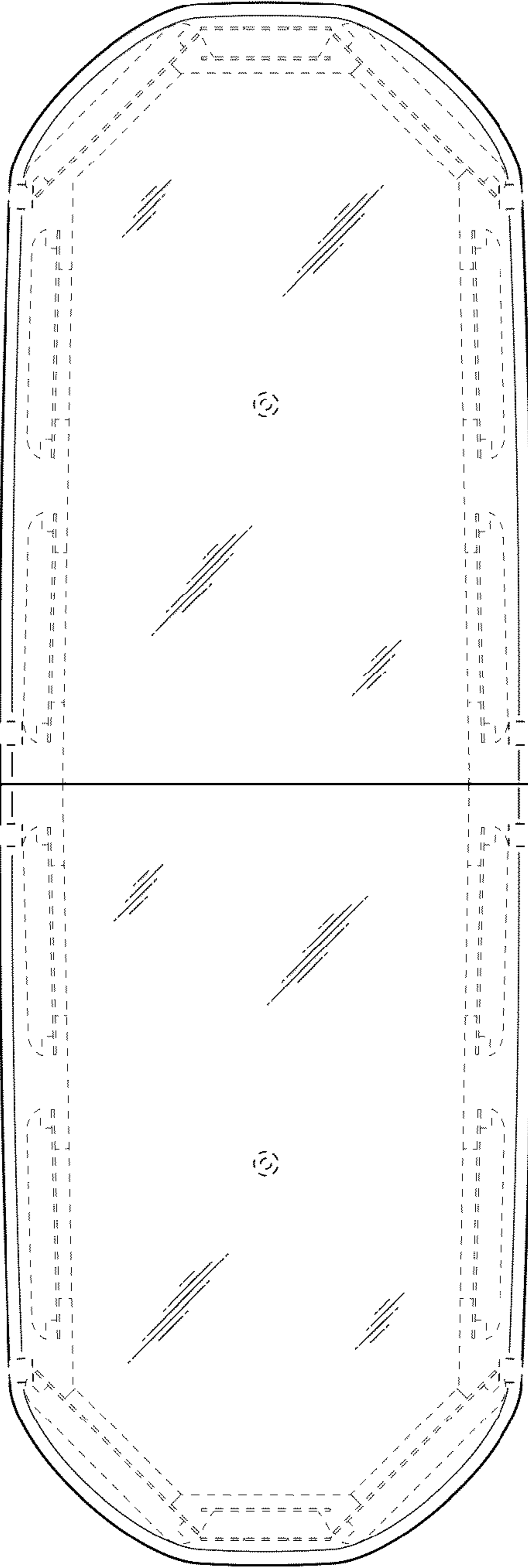


Fig. 8

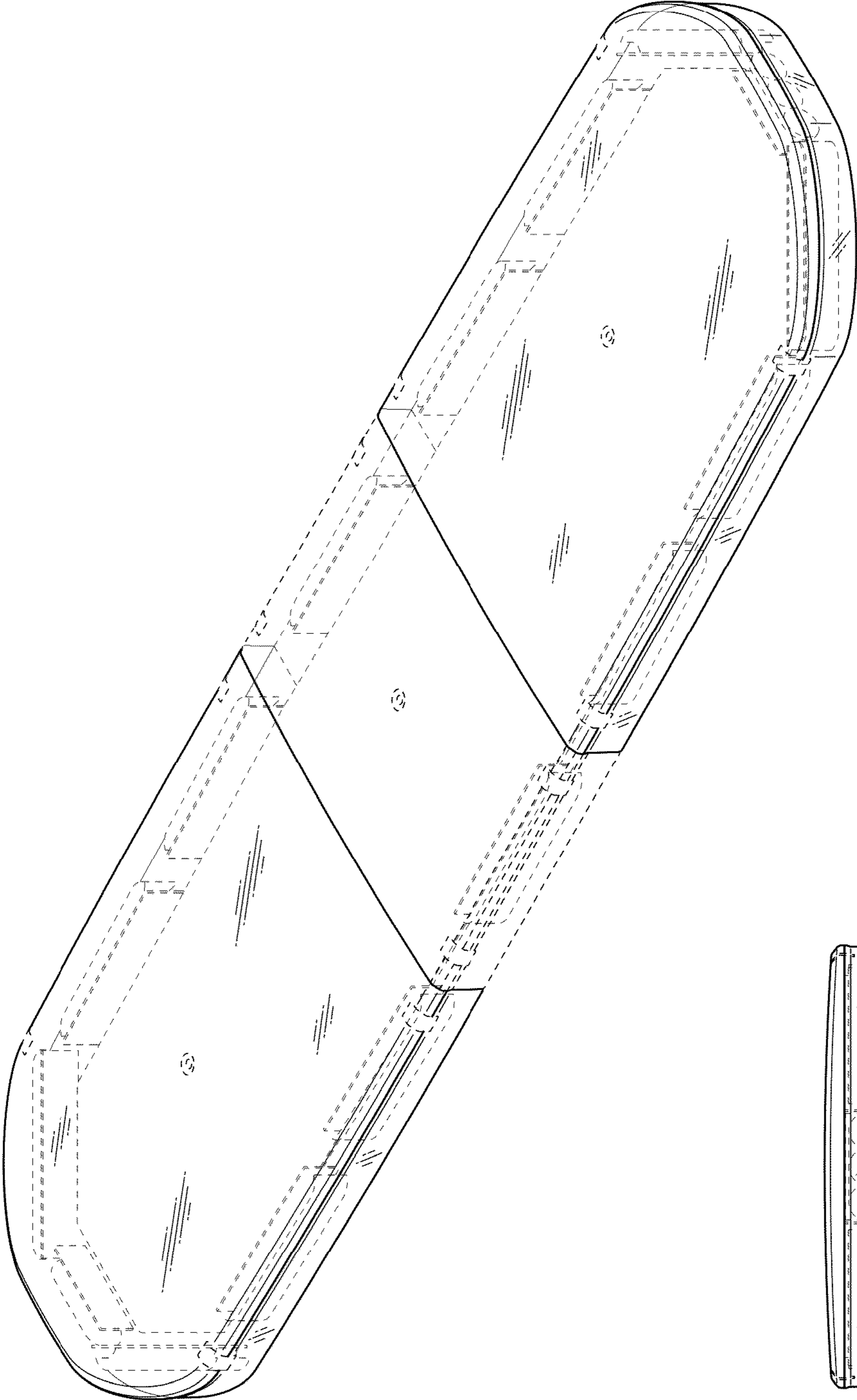


FIG. 9



FIG. 10



FIG. 11

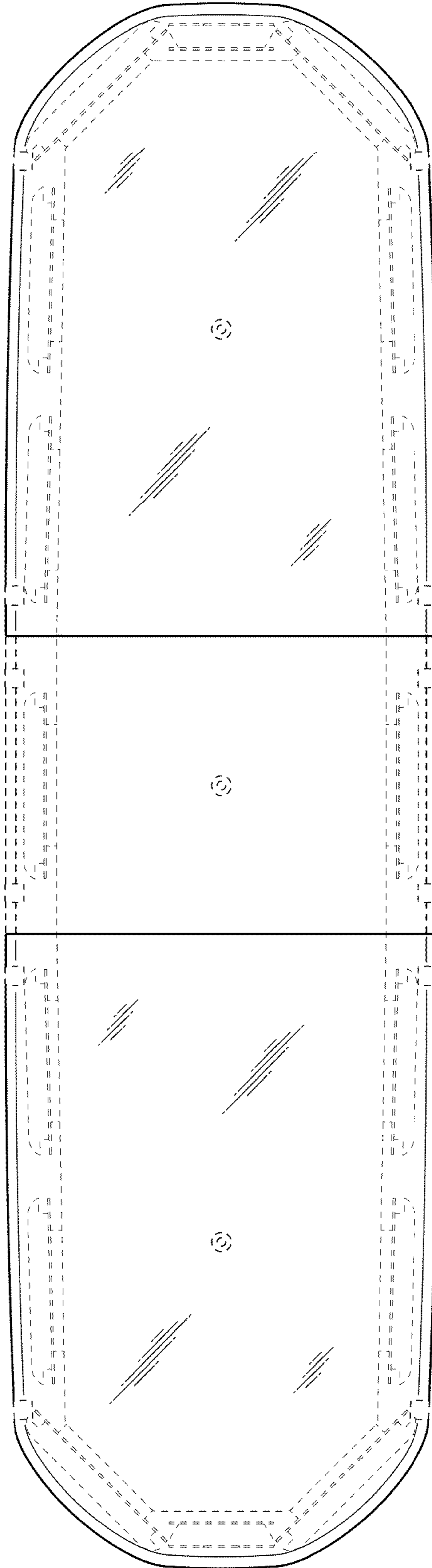


FIG. 12

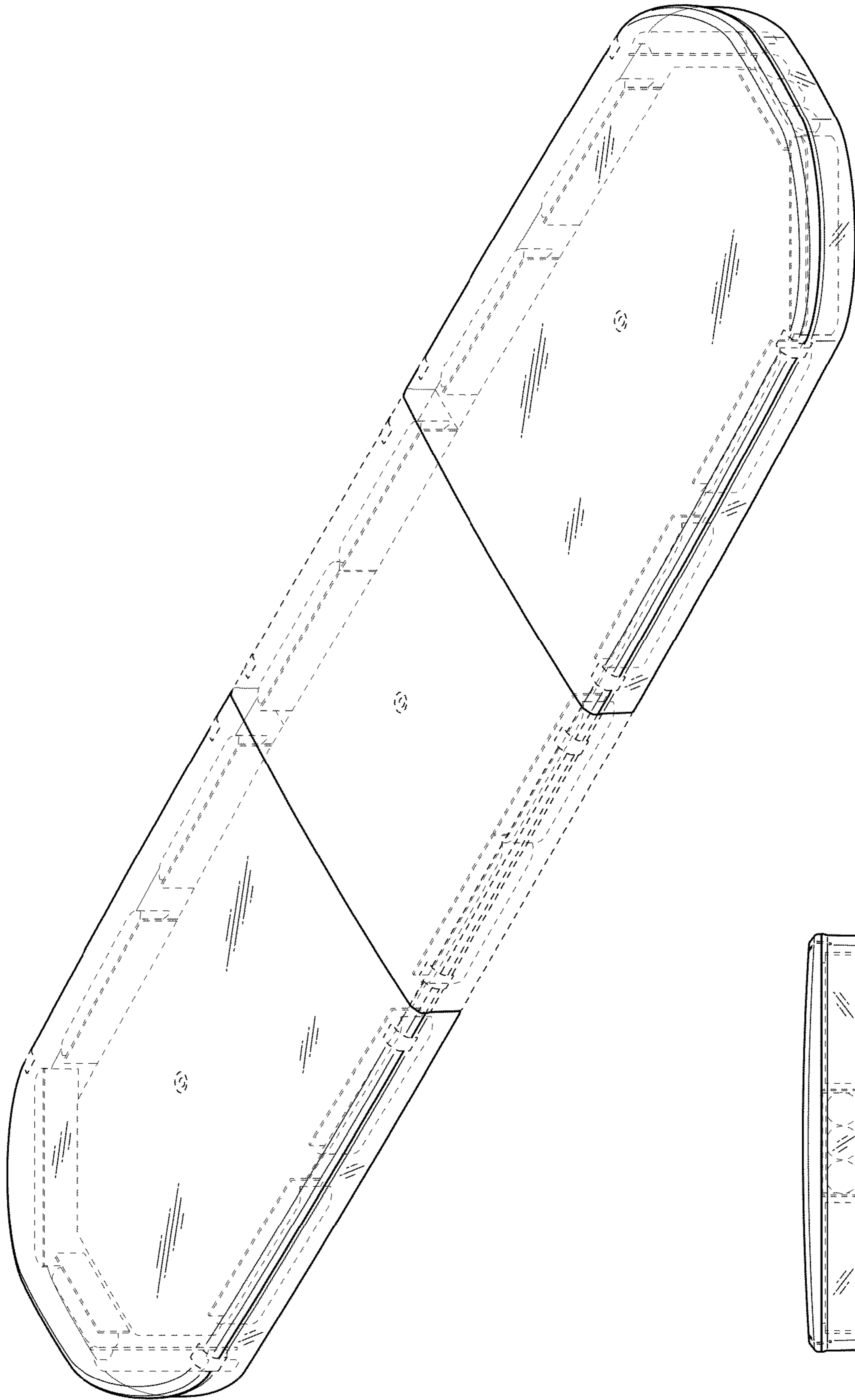


FIG. 13

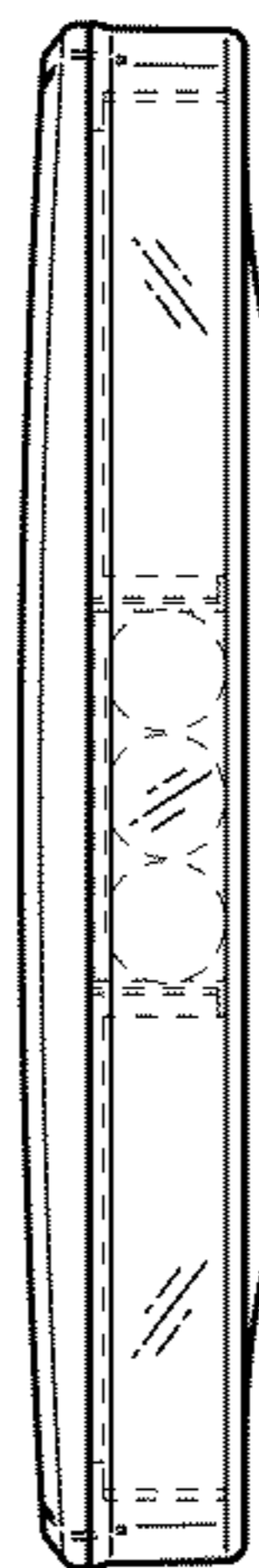


FIG. 14

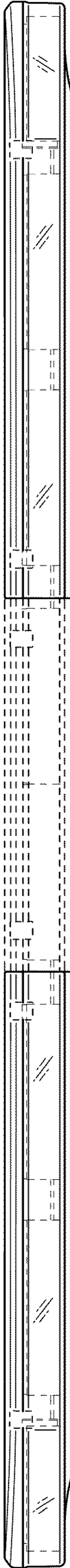


FIG. 15

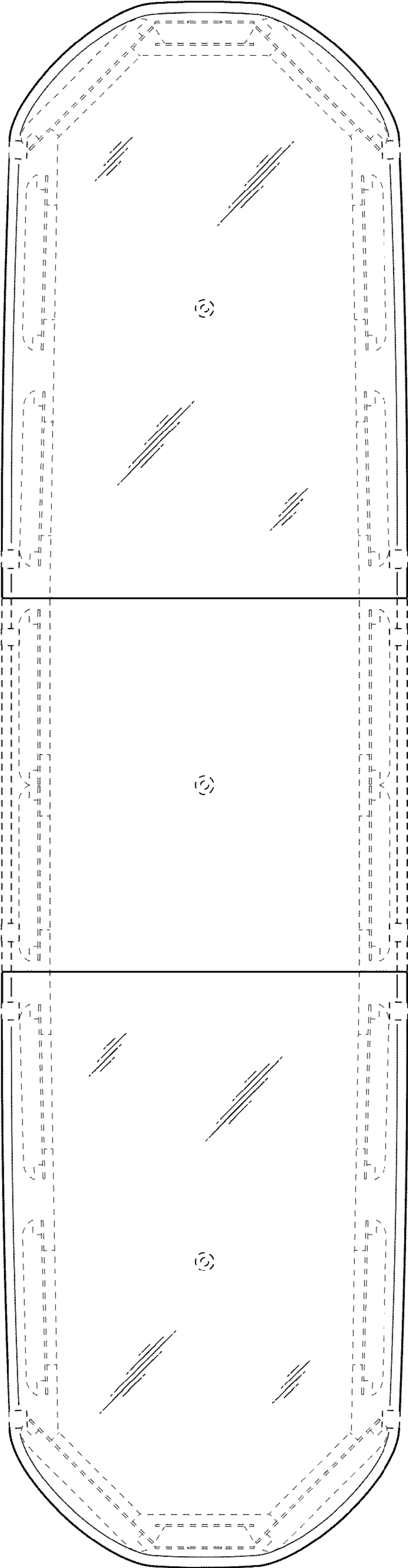


FIG. 16

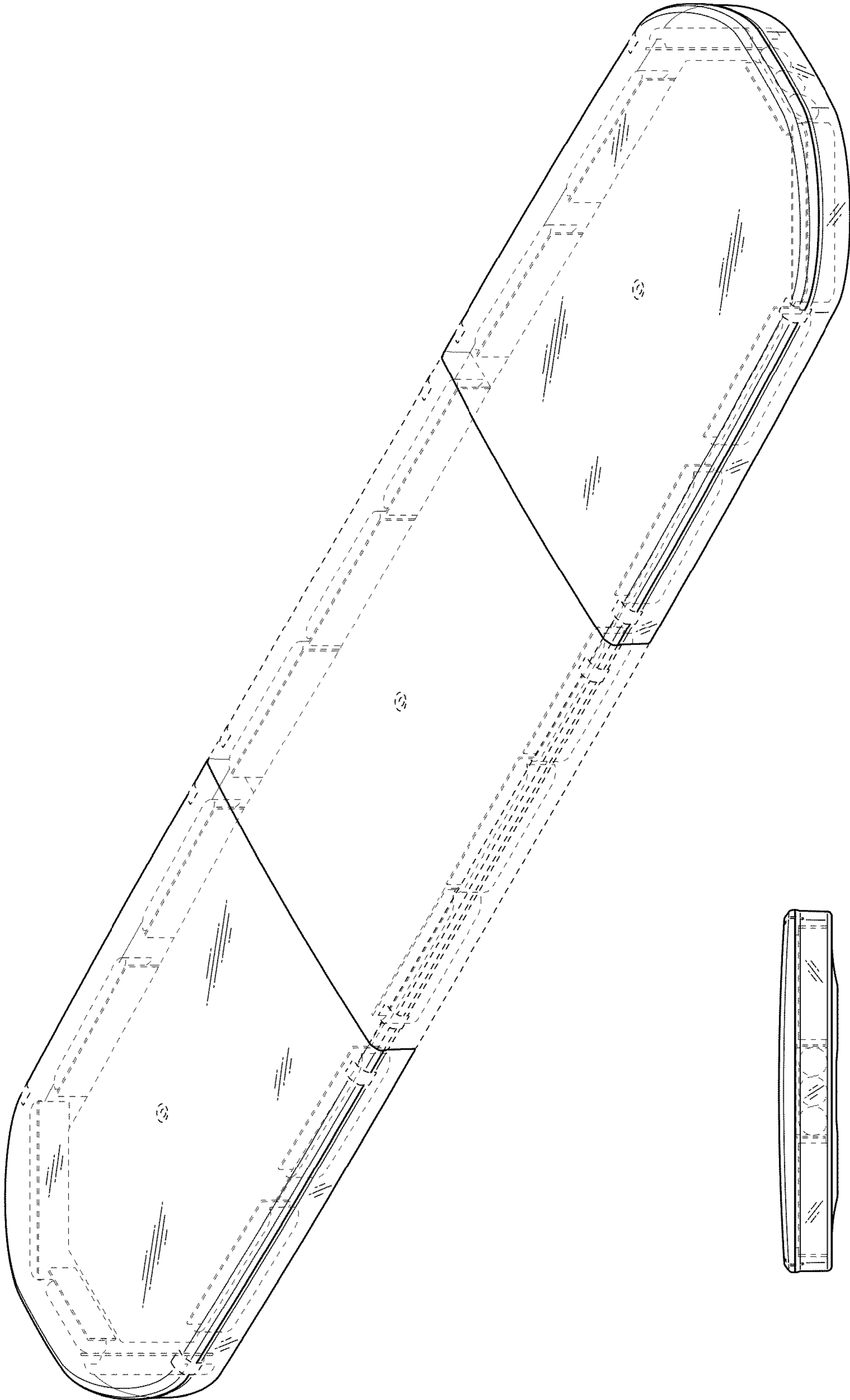


FIG. 17

FIG. 18

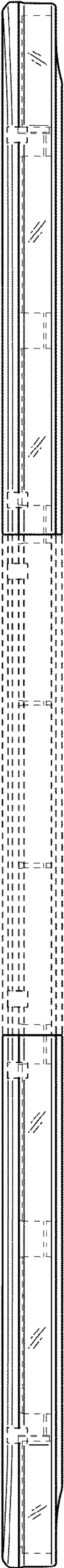


FIG. 19

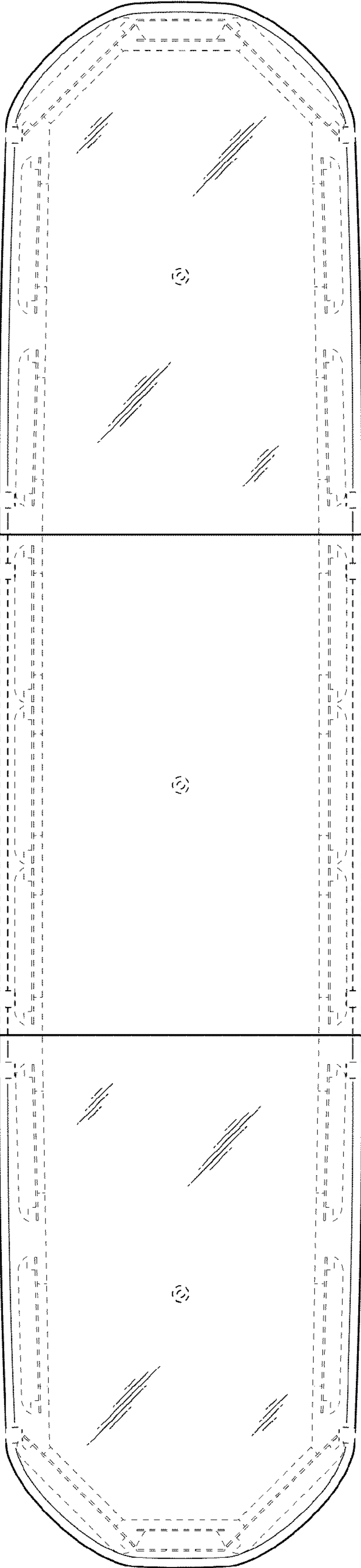


FIG. 20