



US0D1001626S

(12) **United States Design Patent** (10) **Patent No.:** **US D1,001,626 S**
Zhao (45) **Date of Patent:** **** Oct. 17, 2023**

(54) **GAS CYLINDER HANGER**

(71) Applicant: **Lei Zhao**, West Covina, CA (US)

(72) Inventor: **Lei Zhao**, West Covina, CA (US)

(**) Term: **15 Years**

(21) Appl. No.: **29/742,323**

(22) Filed: **Aug. 27, 2020**

(51) **LOC (14) Cl.** **08-11**

(52) **U.S. Cl.**
USPC **D8/373; D23/206**

(58) **Field of Classification Search**
USPC D8/70-72, 371-377, 380-381, 394-398;
D23/206

CPC B23K 5/24; B23K 9/32; B23K 9/327
See application file for complete search history.

(56) **References Cited**

U.S. PATENT DOCUMENTS

D258,489 S *	3/1981	Gipson	D8/333
D258,715 S *	3/1981	Gipson	D8/333
D332,391 S *	1/1993	Szymanski	D8/373
D548,062 S *	8/2007	Steiger	D8/373
D582,260 S *	12/2008	Horian	D8/367
7,748,677 B2 *	7/2010	Neckel	F16M 13/02 248/302
7,868,845 B2 *	1/2011	Gratton	F16B 2/10 343/878
D631,662 S *	2/2011	Tiedemann	D3/315
D714,610 S *	10/2014	Trussell	D8/72
D759,787 S *	6/2016	Molock	D23/206
D833,266 S *	11/2018	Barbara	D8/396
D900,592 S *	11/2020	West	D8/349
D901,193 S *	11/2020	Liu	D6/326
D911,155 S *	2/2021	Kondo	D8/382

D913,997 S *	3/2021	Kang	D14/238
D921,474 S *	6/2021	Borst	D8/349
2019/0105740 A1 *	4/2019	Vanier	B23K 37/006

OTHER PUBLICATIONS

“Hel-Hook Plastic Welding Hanger”, May 12, 2016, Amazon.com, site visited Nov. 8, 2021: <https://www.amazon.com/Mercury-Plastics-RLC0001-Hel-Hook-Welding/dp/B01FJZAXUC> (Year: 2016).*

“Steel Welding Machine Hanger”, Jun. 24, 2019, Amazon.com, site visited Nov. 8, 2021: <https://www.amazon.com/S7-welding-machine-hanger-Welding/dp/B07TF8VZTF> (Year: 2019).*

* cited by examiner

Primary Examiner — Jack Reickel

Assistant Examiner — Michael A Kervin

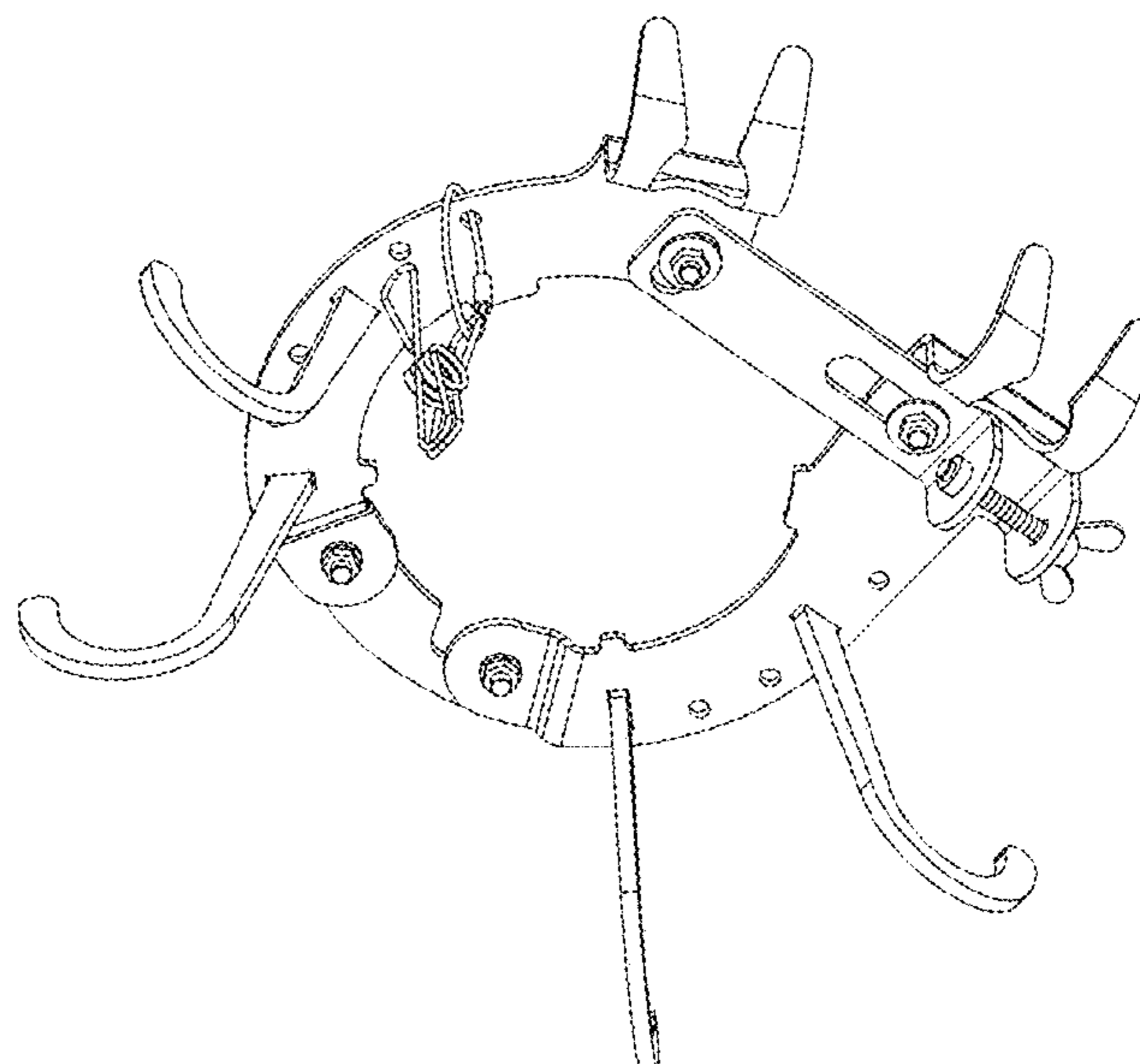
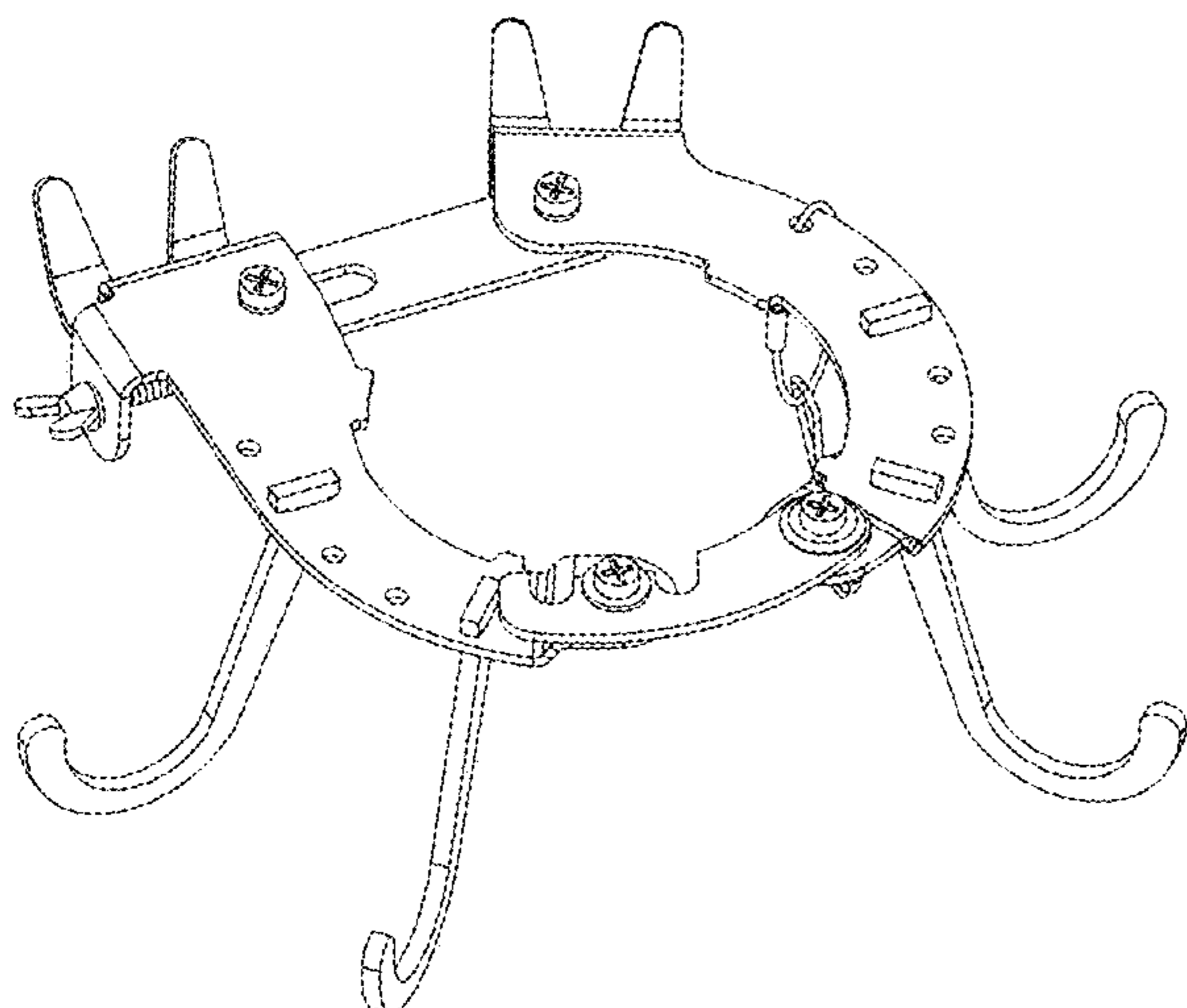
(57) **CLAIM**

The ornamental design for a gas cylinder hanger, as shown and described.

DESCRIPTION

FIG. 1 is a perspective view of a gas cylinder hanger showing the front, top, and left side of my new design; FIG. 2 is a perspective view of a gas cylinder hanger showing the rear, bottom and right side thereof; FIG. 3 is a top plan view thereof; FIG. 4 is a bottom plan view thereof; FIG. 5 is a front elevation view thereof; FIG. 6 is a rear elevation view thereof; FIG. 7 is a right side elevation view thereof; FIG. 8 is a left side elevation view thereof; and, FIG. 9 is a perspective view thereof showing the locking lever in open position.

1 Claim, 9 Drawing Sheets



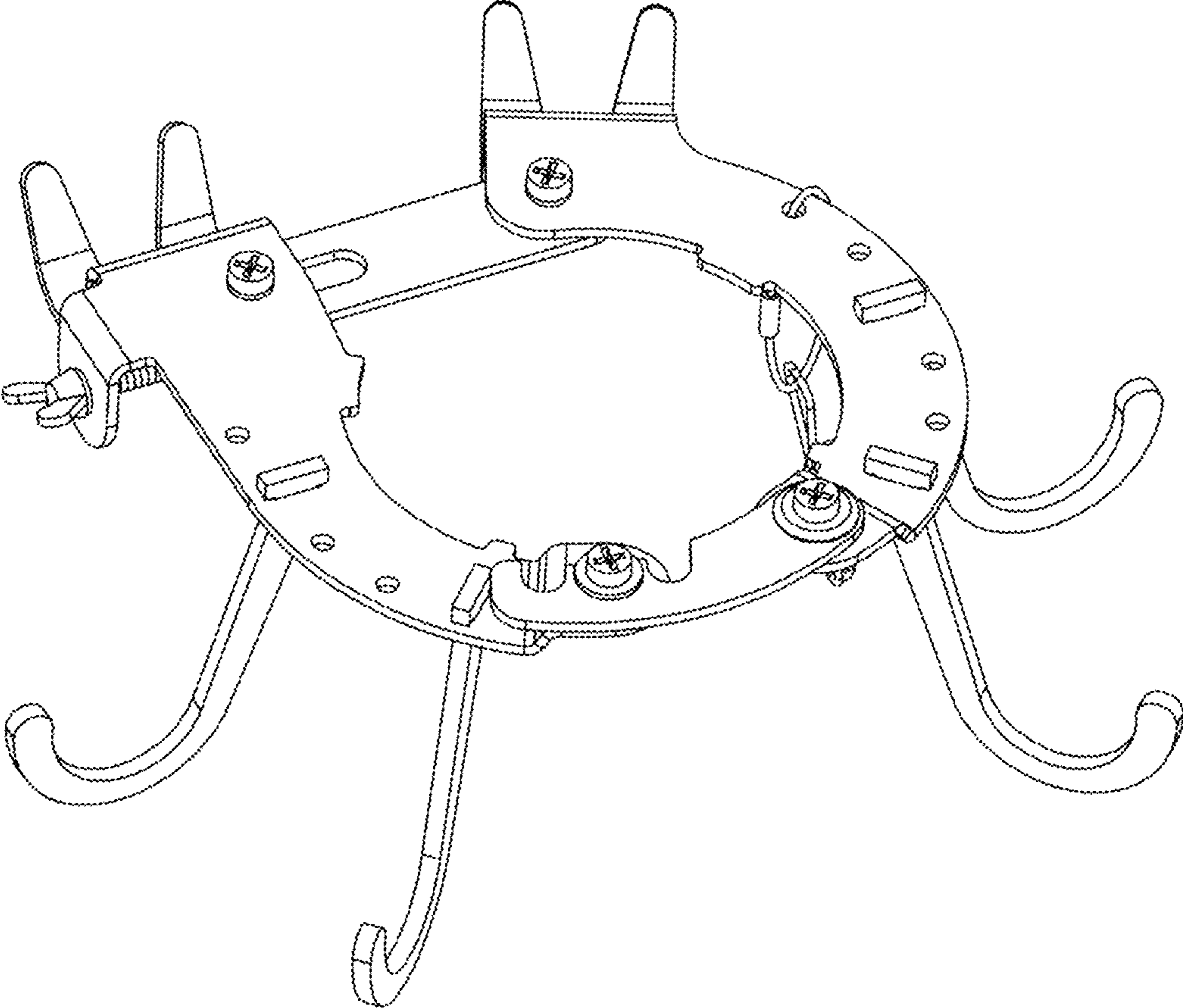


FIG. 1

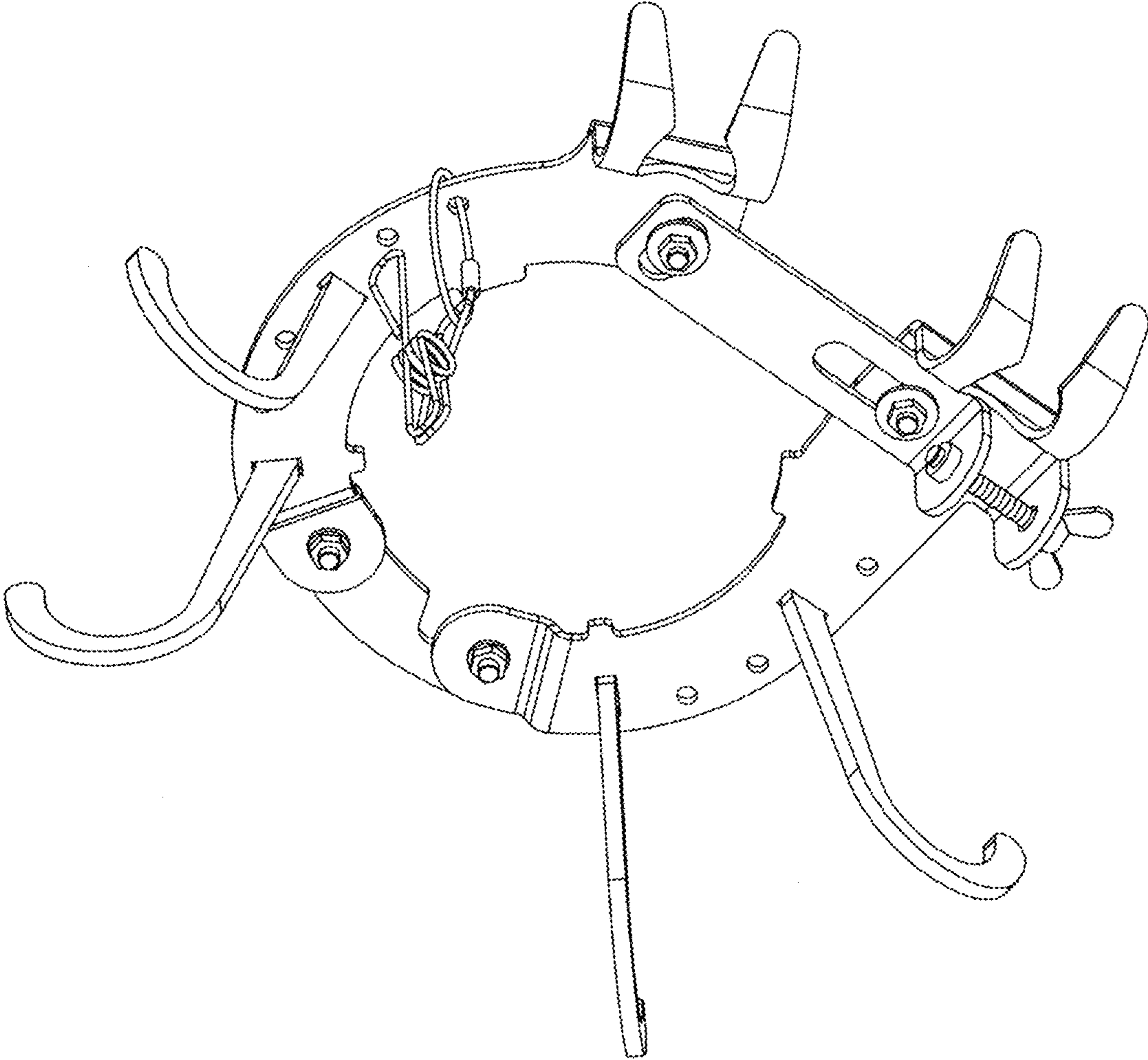


FIG.2

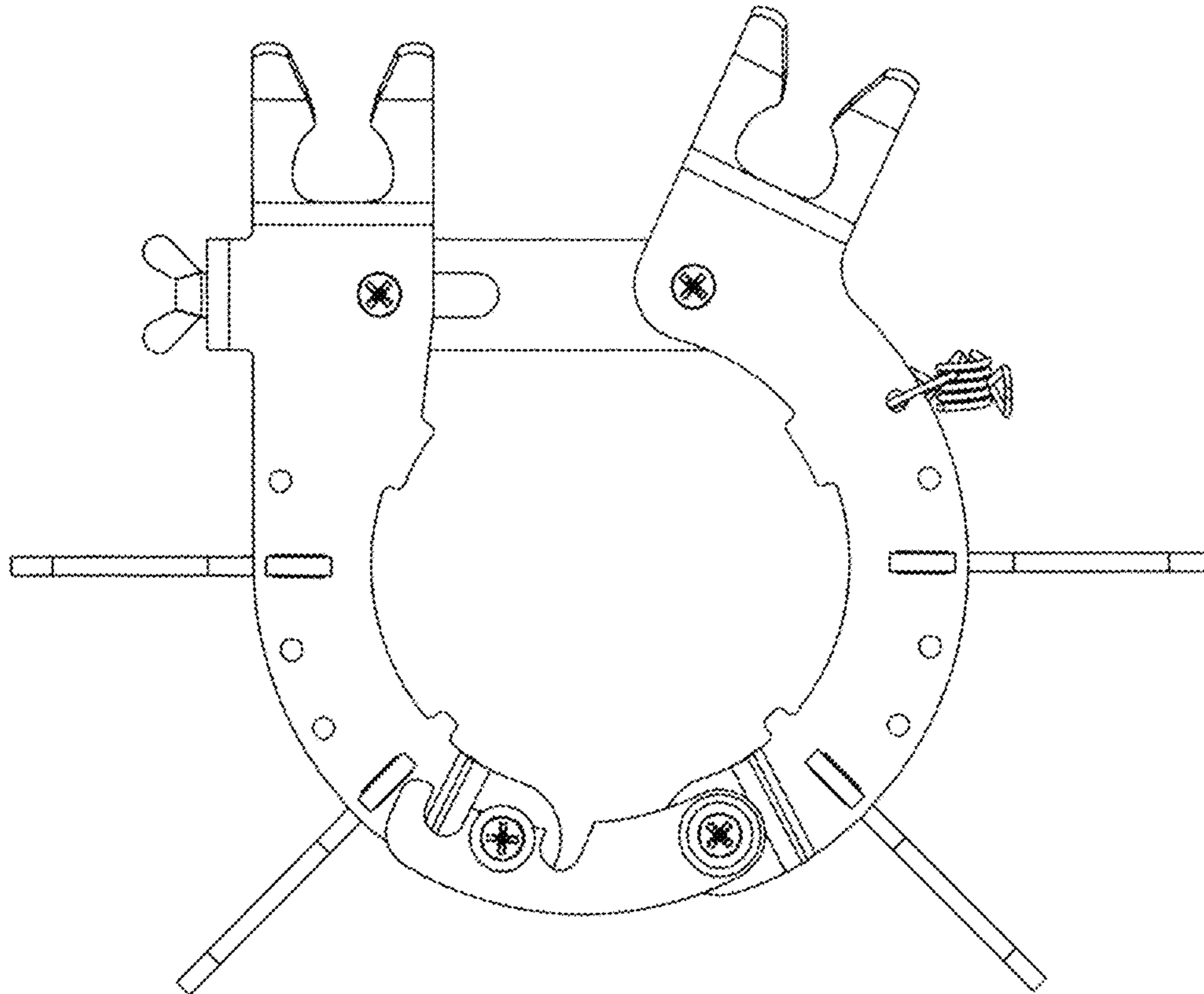


FIG.3

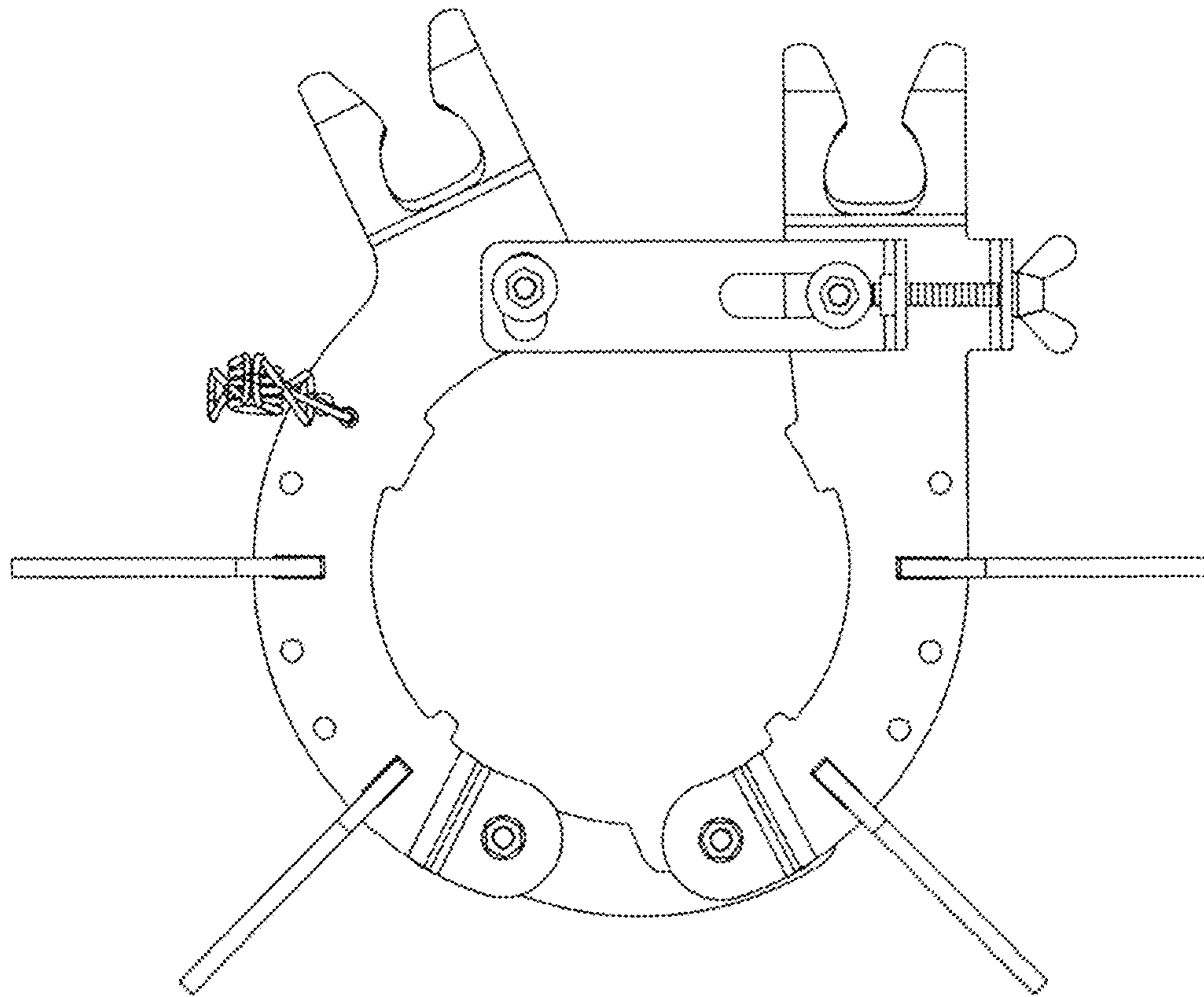


FIG.4

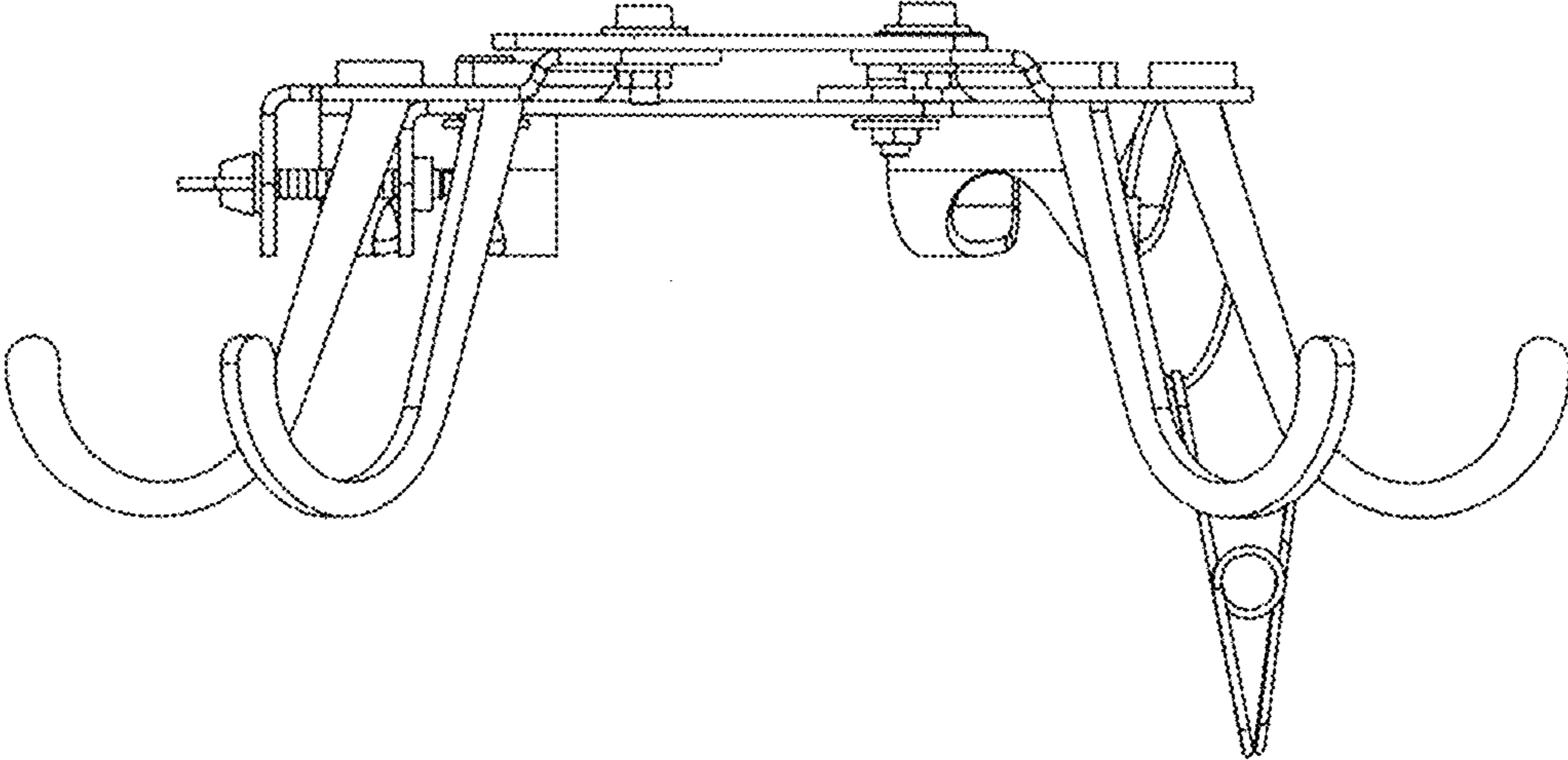


FIG.5

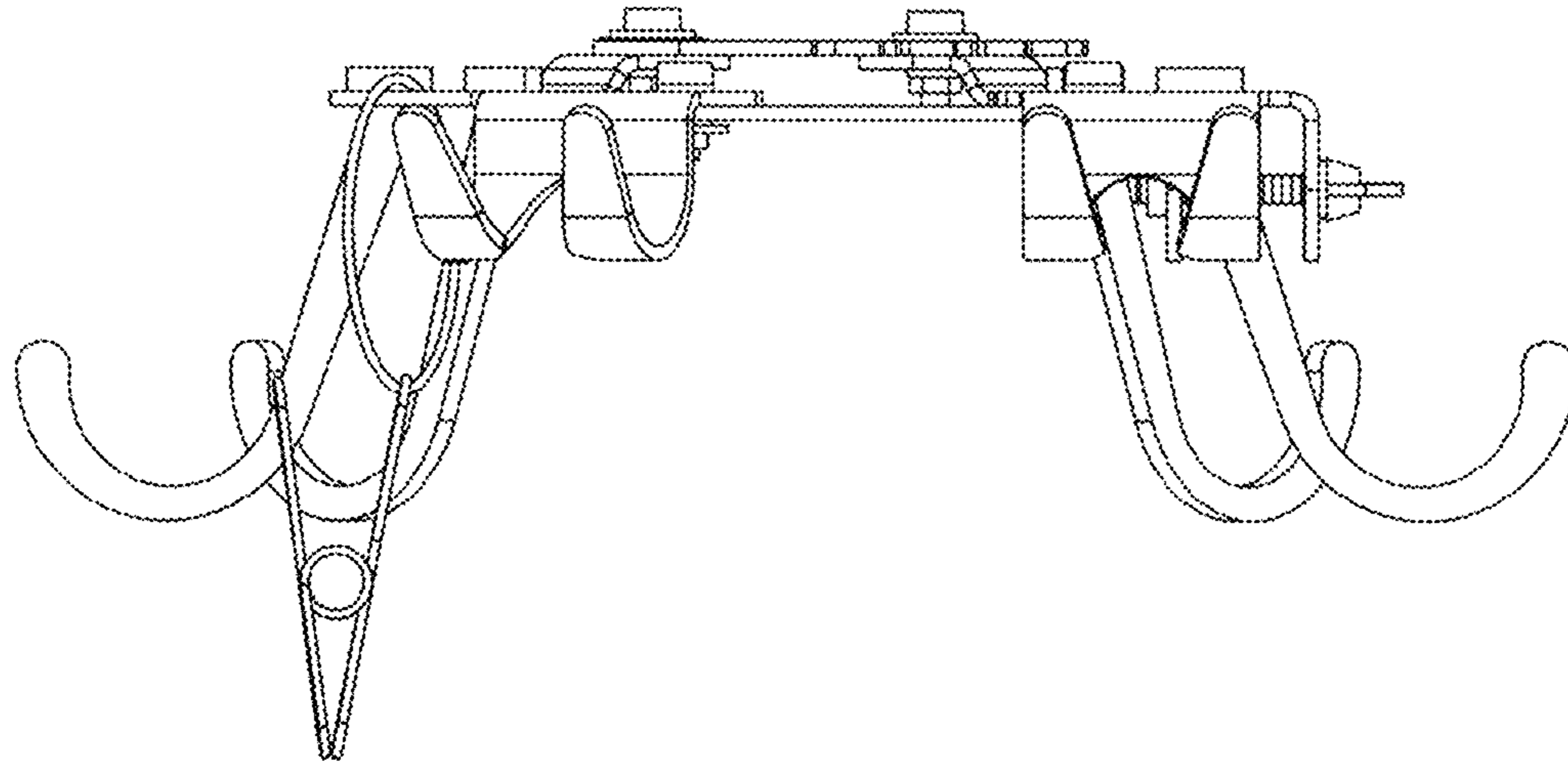


FIG. 6

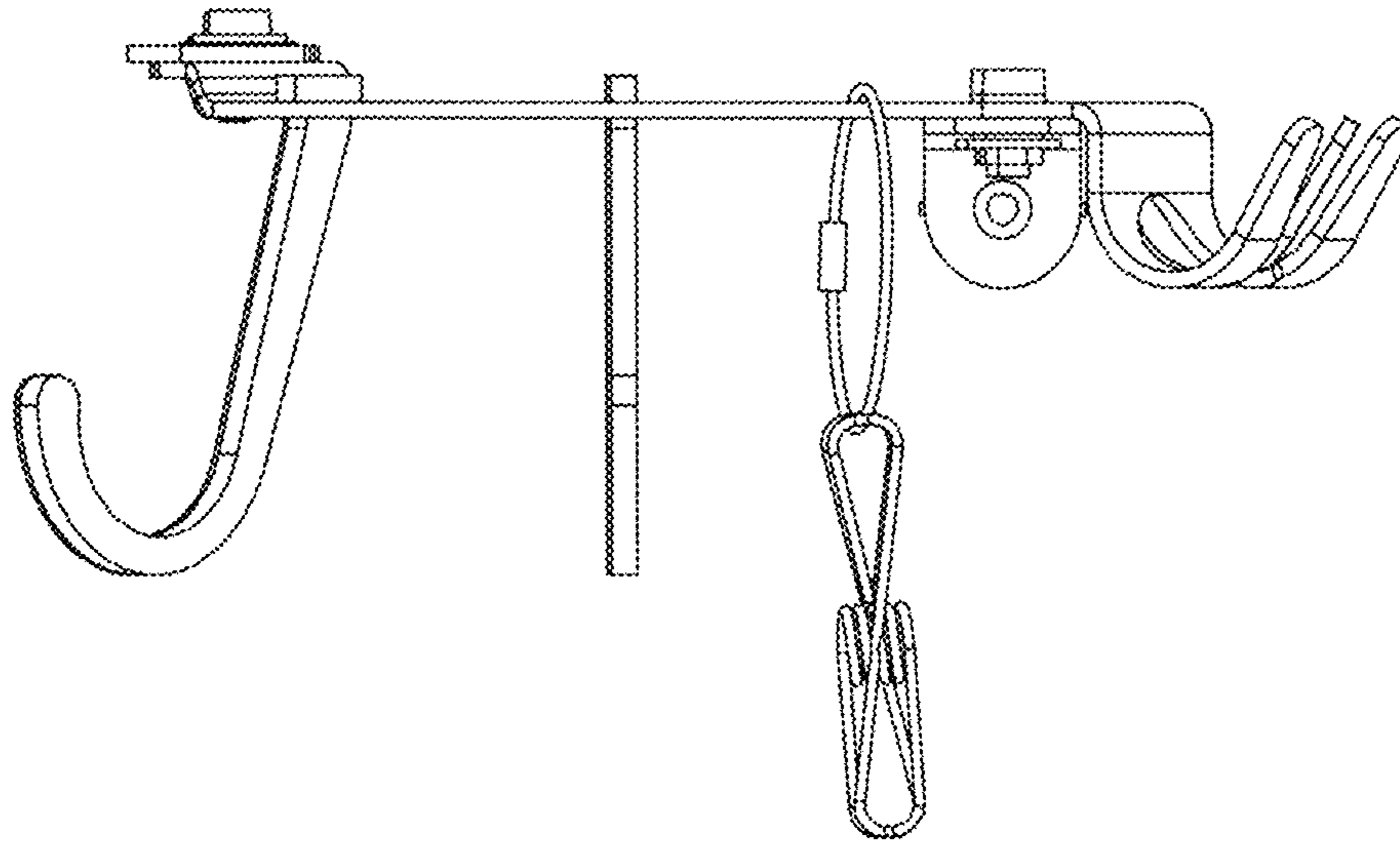


FIG.7

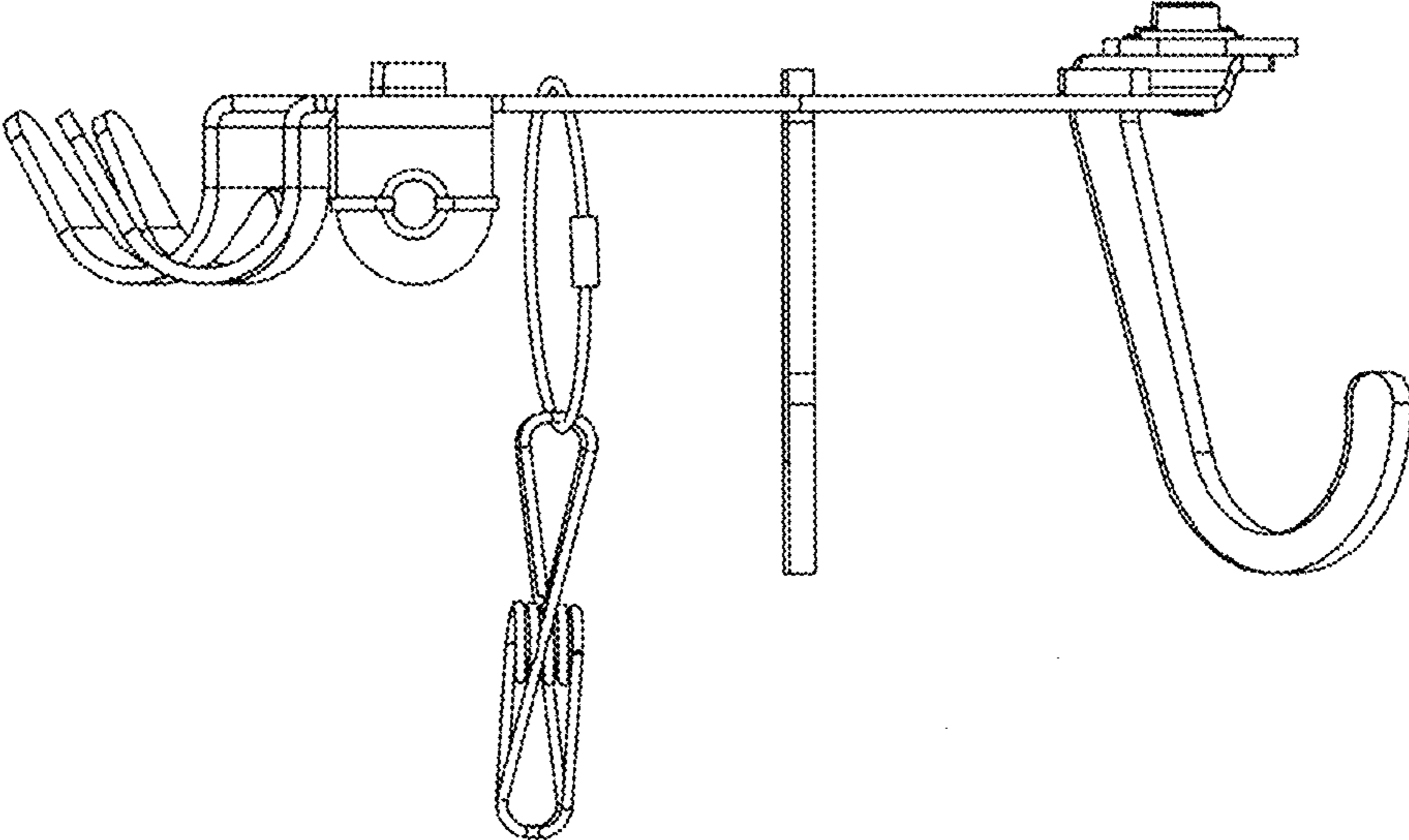


FIG.8

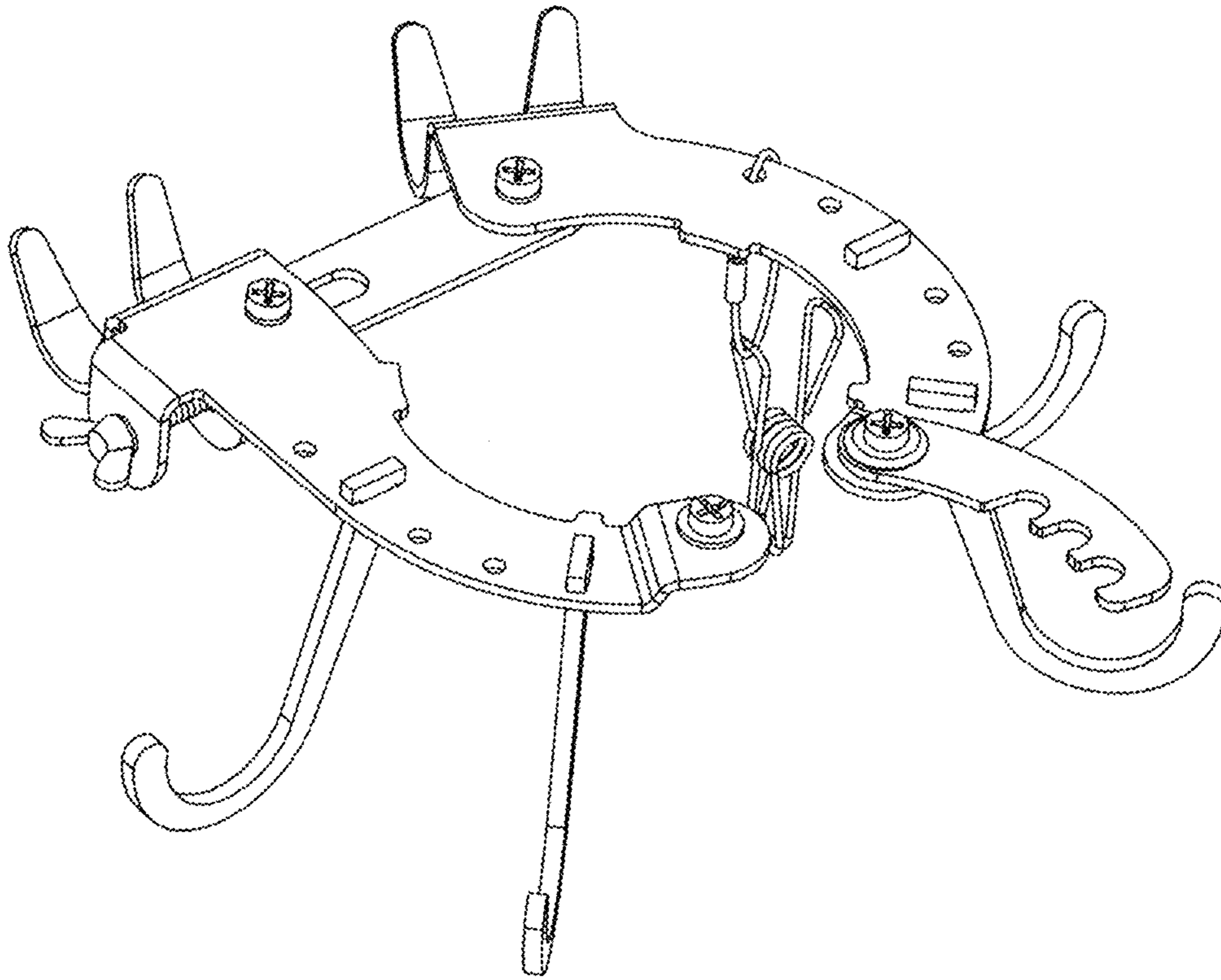


FIG. 9