



US0D1001625S

(12) **United States Design Patent**  
**Chang Chien**

(10) **Patent No.:** **US D1,001,625 S**

(45) **Date of Patent:** **\*\* Oct. 17, 2023**

(54) **EXTENSION FOR GARMENT RACK**

(71) Applicant: **EP Family Corp.**, Walnut, CA (US)

(72) Inventor: **Peiling Chang Chien**, Walnut, CA (US)

(\*\*) Term: **15 Years**

(21) Appl. No.: **29/734,573**

(22) Filed: **May 13, 2020**

(51) **LOC (14) Cl.** ..... **08-11**

(52) **U.S. Cl.**  
USPC ..... **D8/372; D6/323**

(58) **Field of Classification Search**  
USPC ... D8/367, 370, 372; D6/315, 317, 320, 323,  
D6/327, 328  
CPC ..... A47G 25/0607; A47G 25/0678  
See application file for complete search history.

(56) **References Cited**

**U.S. PATENT DOCUMENTS**

928,717	A *	7/1909	Vance	.....	A47G 29/083 248/304
D135,143	S *	3/1943	Weekley	.....	A41D 1/06 D8/372
2,326,695	A *	8/1943	Snider	.....	A01K 97/10 248/518
2,606,734	A *	8/1952	Magnuson	.....	A47G 25/0678 248/301
D205,496	S *	8/1966	Briles	.....	A47G 25/0678 D8/372
D214,107	S *	5/1969	Hallahan	.....	D8/371
D234,073	S *	1/1975	Dimiceli	.....	D8/367

(Continued)

*Primary Examiner* — Rachel A. Voorhies  
*Assistant Examiner* — Benjamin D. Wannemacher

(74) *Attorney, Agent, or Firm* — Tommy SF Wang; Wang IP Law Group, P.C.

(57) **CLAIM**

The ornamental design for an extension for garment rack as shown and described.

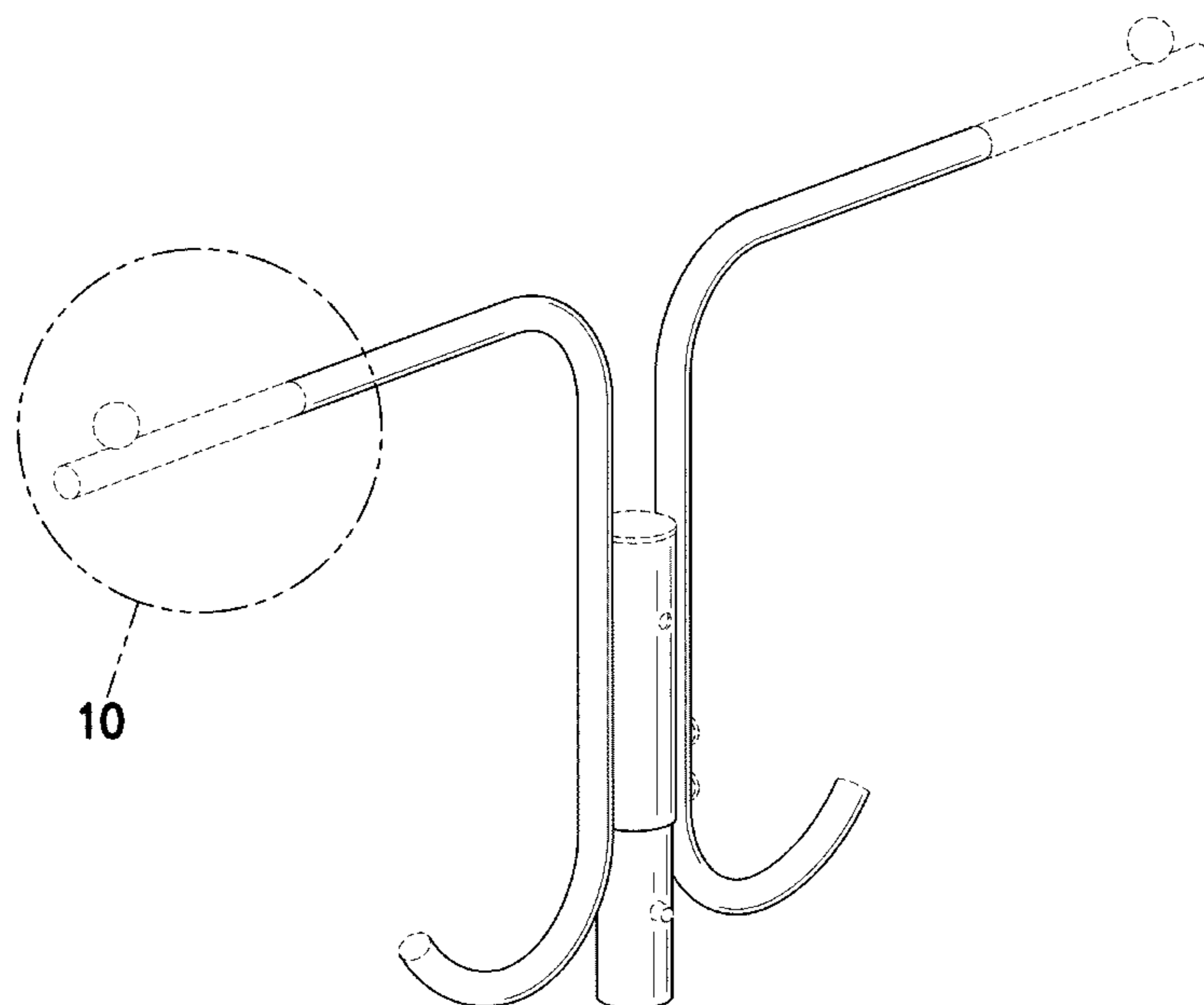
**DESCRIPTION**

FIG. 1 is a perspective view of an extension for garment rack showing my new design; FIG. 2 is a front view thereof; FIG. 3 is a rear view thereof; FIG. 4 is a left side view thereof; FIG. 5 is a right side view thereof; FIG. 6 is a top view thereof; FIG. 7 is a bottom view thereof; FIG. 8 is another perspective view thereof with a pair of the extension for garment rack coupled with a garment rack; FIG. 9 is the other perspective view thereof with the pair of the extension for garment rack coupled with another garment rack; and FIG. 10 is an enlarged view of an indicated portion of FIG. 1.

The broken lines in FIGS. 1-10 are for the purpose of illustrating portions of the extension for garment rack that form no part of the claimed design. The broken lines of the another extension for garment rack and the garment racks in FIGS. 8-9 illustrate unclaimed environment and forms no part of the claimed design. The dot-dash broken lines in FIGS. 1-3, 6-10 represent unclaimed boundary lines and form no part of the claimed design.

The dot-dot-dash broken line circle in FIG. 1 and FIG. 10 depicts the limit of the enlarged view and forms no part of the claimed design. The dot-dot-dash lead line in FIG. 1 labeled 10 indicates the area from which the enlargement in FIG. 10 is taken and forms no part of the claimed design.

**1 Claim, 7 Drawing Sheets**



(56)

**References Cited**

U.S. PATENT DOCUMENTS

D343,112	S *	1/1994	Corbin .....	D8/367
D435,971	S *	1/2001	Solowiej .....	D8/372
D438,022	S *	2/2001	Bunn .....	A47G 25/0607 D6/317
D465,661	S *	11/2002	Hoernig .....	A47G 29/083 D8/372
D608,100	S *	1/2010	Yoo .....	A47G 25/0678 D6/323
D628,053	S *	11/2010	Goodman et al. .	A47G 25/0678 D8/372
9,560,927	B2*	2/2017	Krumpe .....	A47G 25/0607
D810,549	S *	2/2018	Klein et al. ....	A47G 25/0607 D8/372

\* cited by examiner

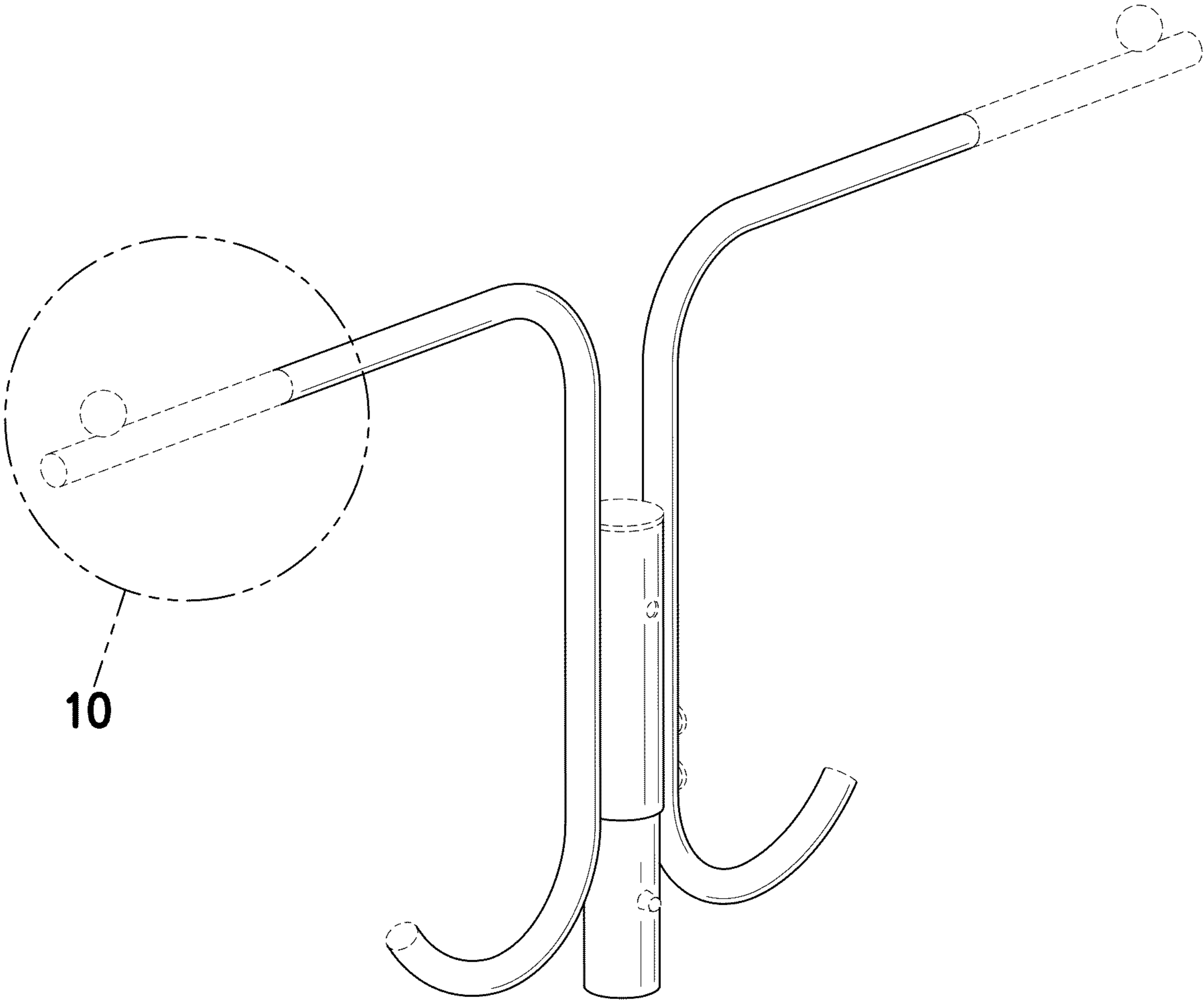


FIG. 1

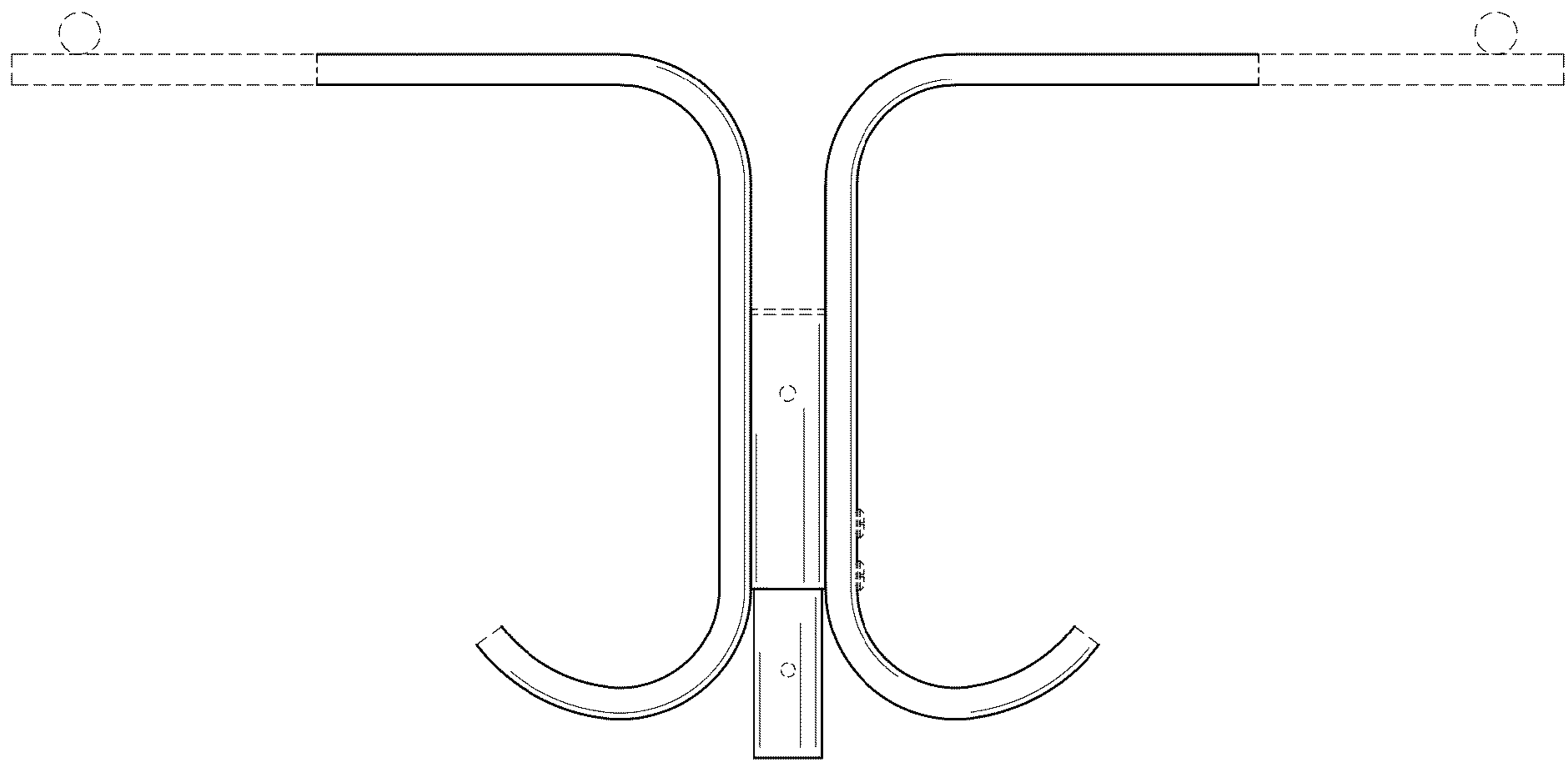


FIG. 2

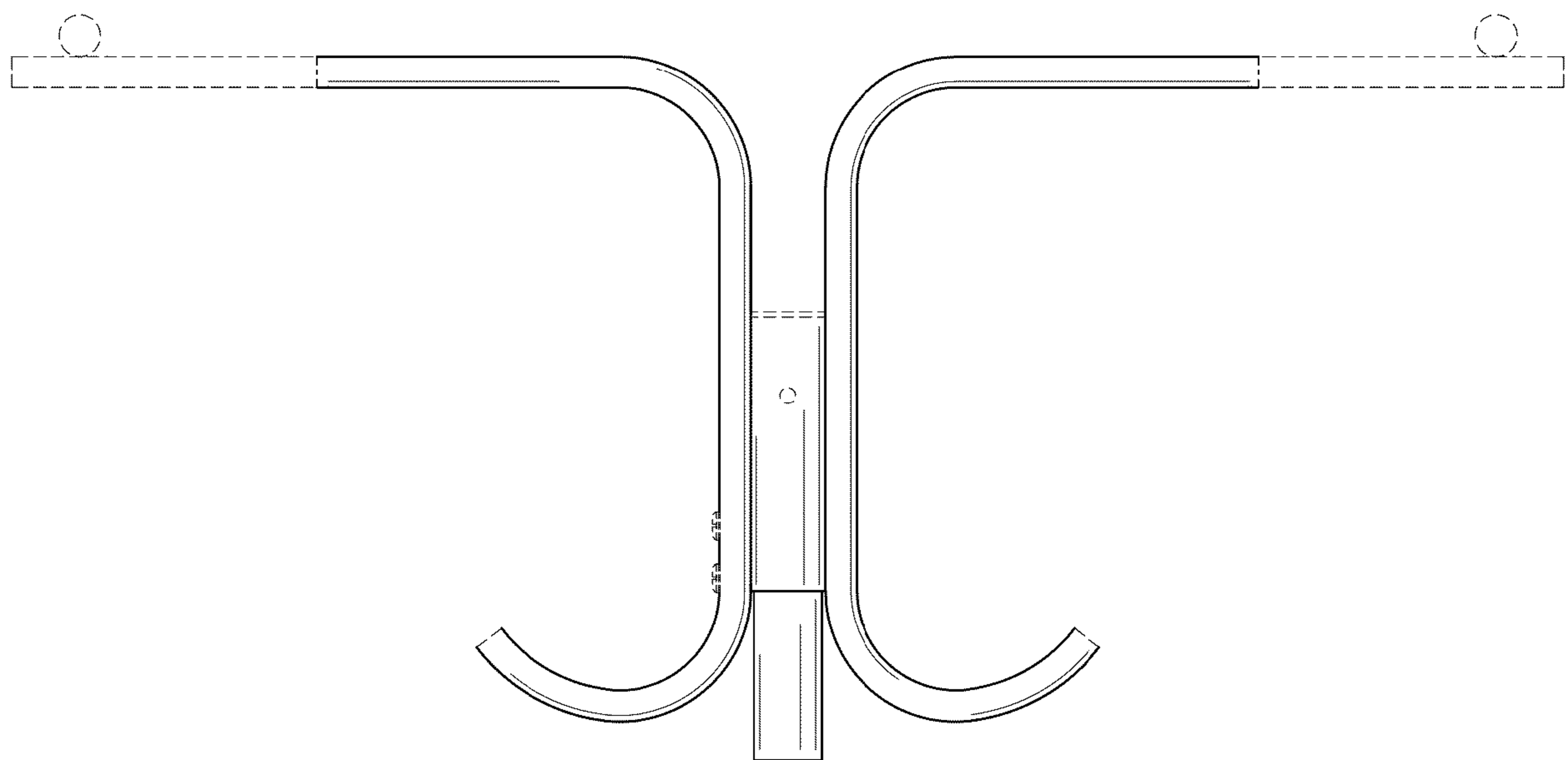


FIG. 3

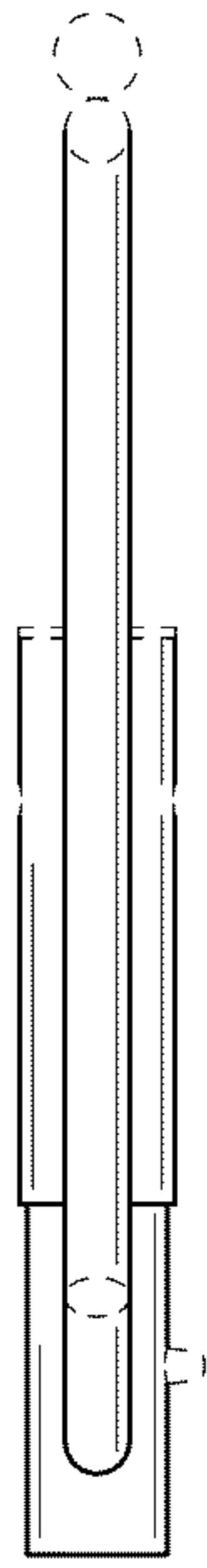


FIG. 4

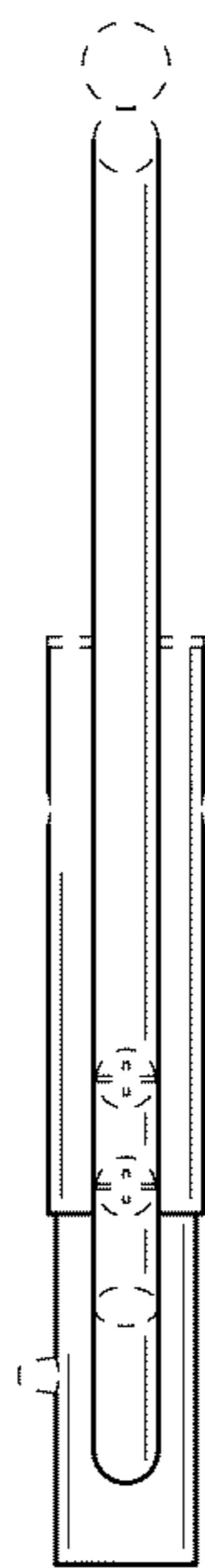


FIG. 5

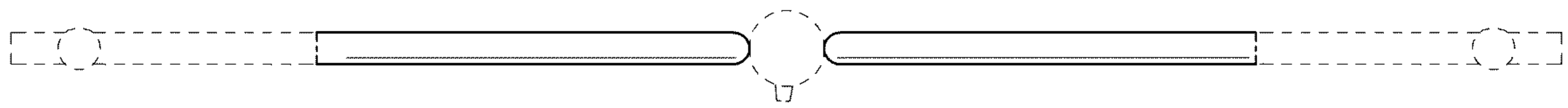


FIG. 6

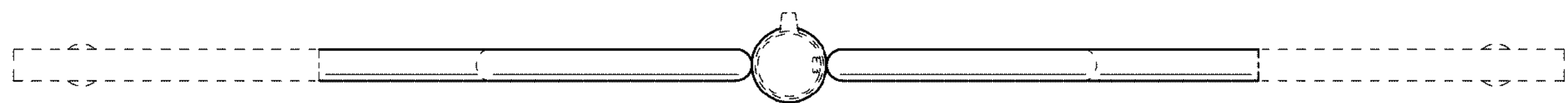


FIG. 7

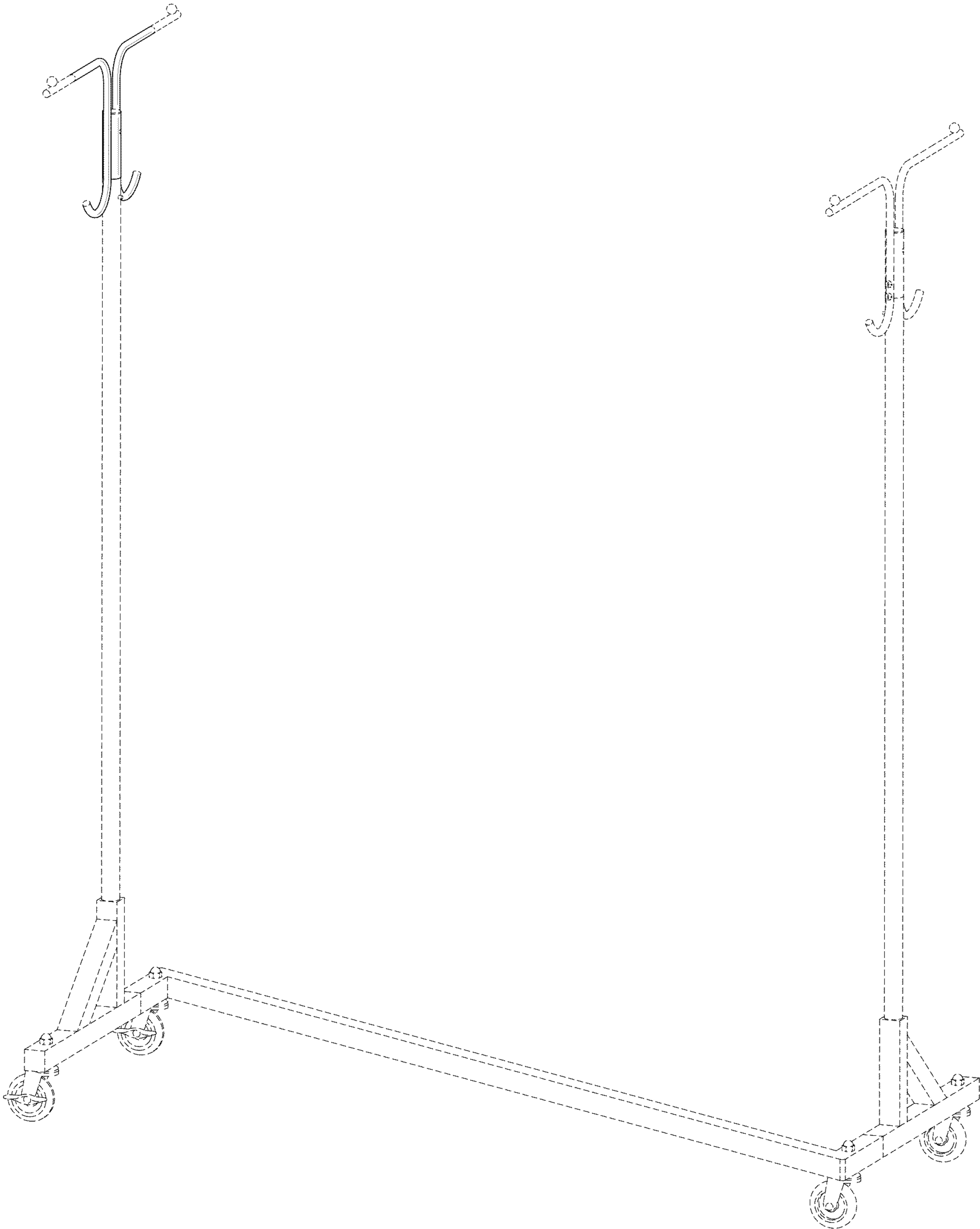


FIG. 8

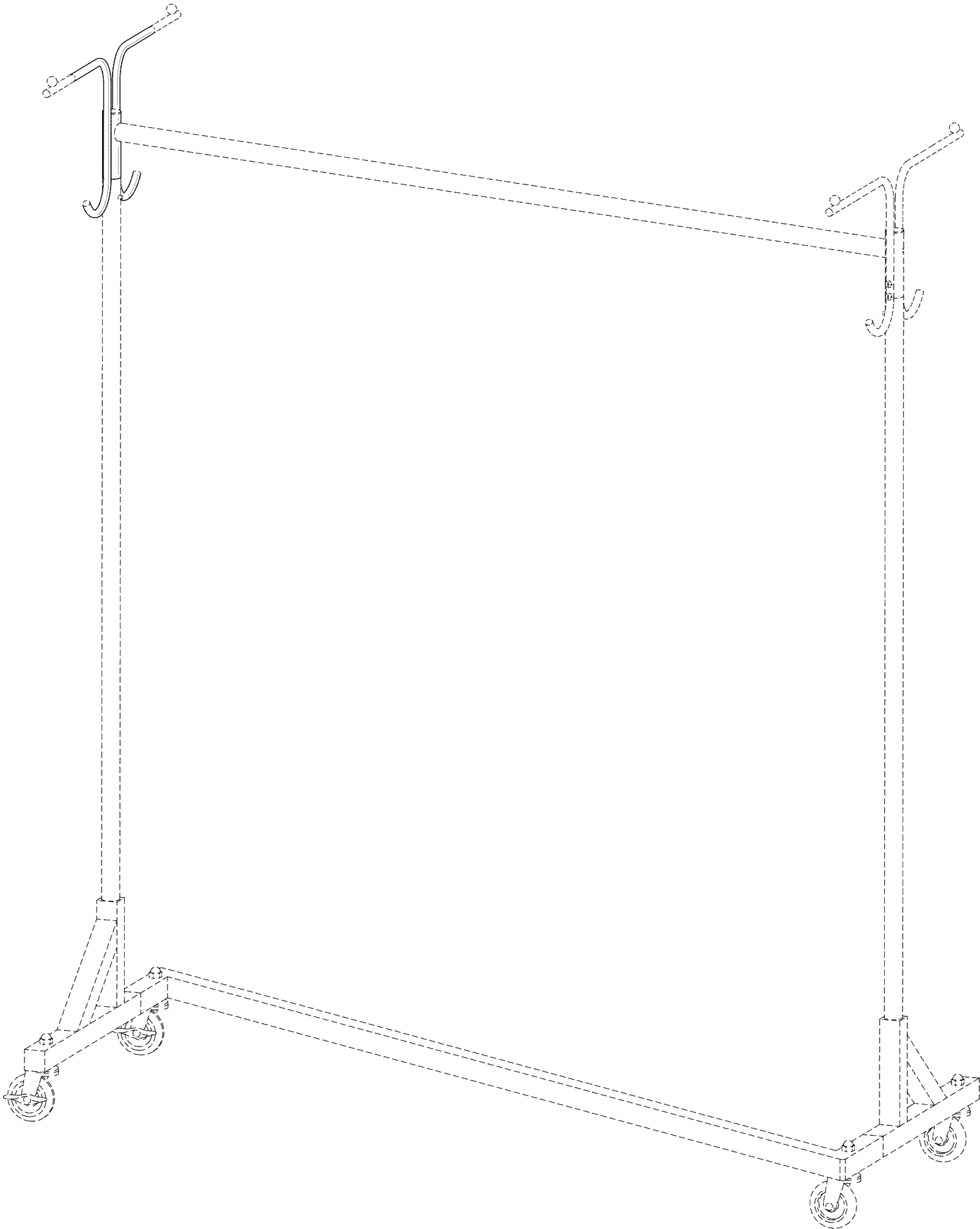


FIG. 9



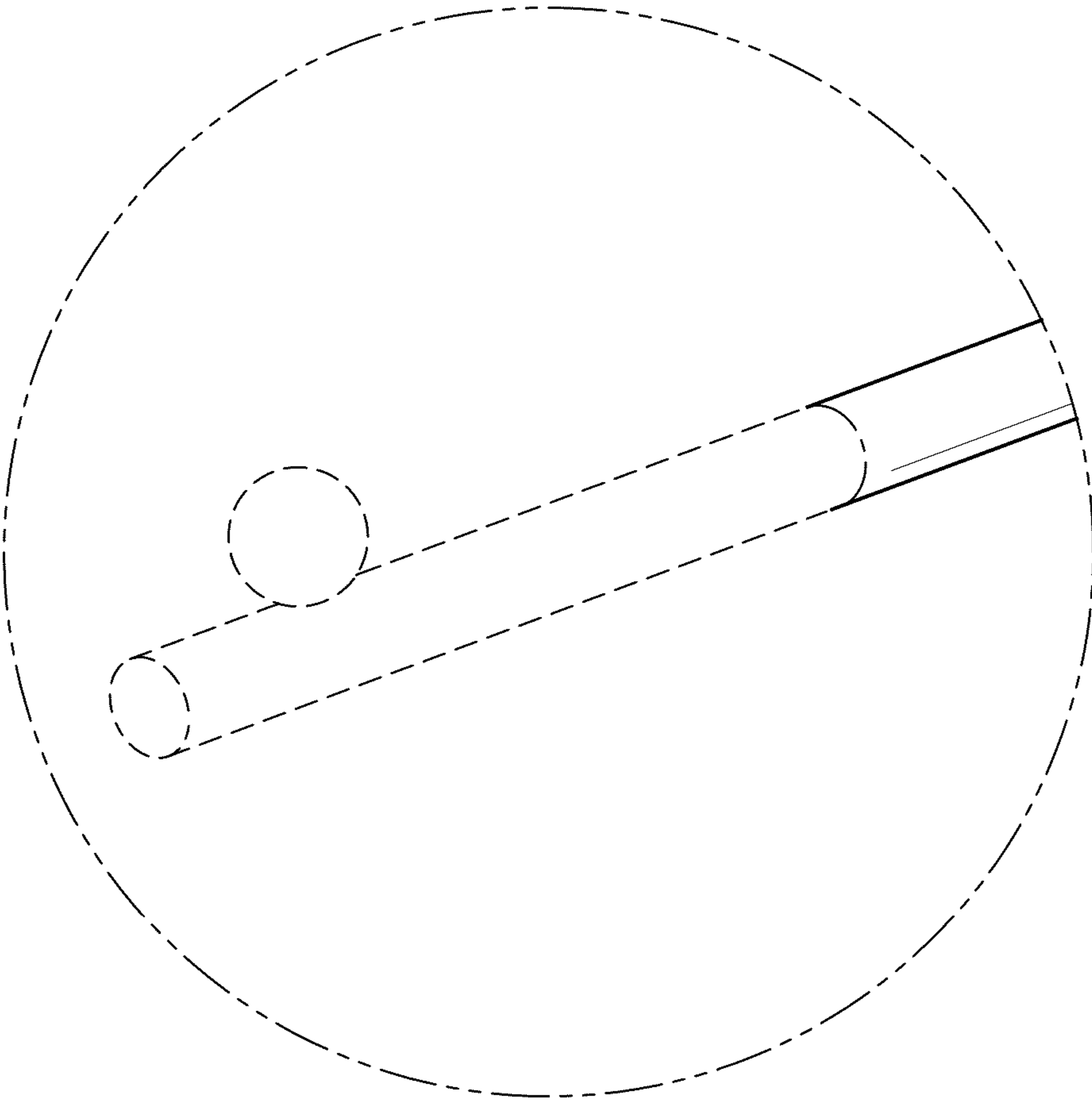


FIG. 10