



US0D1001587S

(12) **United States Design Patent** (10) **Patent No.:** **US D1,001,587 S**  
**Sendowski et al.** (45) **Date of Patent:** **\*\* Oct. 17, 2023**

- (54) **TRAY**
- (71) Applicant: **SOUPER PRODUCTS, LLC**, Beverly Hills, CA (US)
- (72) Inventors: **Jacob Benjamin Sendowski**, Beverly Hills, CA (US); **Michelle Sendowski**, Beverly Hills, CA (US)
- (73) Assignee: **SOUPER PRODUCTS, LLC**, Beverly Hills, CA (US)
- (\*\*) Term: **15 Years**
- (21) Appl. No.: **29/790,274**
- (22) Filed: **Nov. 16, 2021**
- (51) **LOC (14) Cl.** ..... **07-01**
- (52) **U.S. Cl.**  
USPC ..... **D7/553.4**
- (58) **Field of Classification Search**  
USPC ..... D7/500, 550.1, 552.2, 553.2, 553.4, D7/553.5, 554.3, 601-602, 396.1, 401.1; D9/424  
CPC ..... B65D 1/22; B65D 1/243; B65D 2501/24; B65D 2501/24006; B65D 11/04; B65D 85/30; B65D 85/305  
See application file for complete search history.

- D643,266 S \* 8/2011 Kulzer ..... D7/701
- D653,856 S \* 2/2012 Lowe ..... D3/313
- D673,795 S \* 1/2013 Murrah ..... D6/682.2
- D862,729 S \* 10/2019 Livingston ..... D24/227
- D894,424 S \* 8/2020 Livingston ..... D24/227
- D902,433 S \* 11/2020 Livingston ..... D24/227
- D902,434 S \* 11/2020 Livingston ..... D24/227
- D923,417 S \* 6/2021 Lai ..... D7/553.5

\* cited by examiner

*Primary Examiner* — Kelley A Donnelly

(74) *Attorney, Agent, or Firm* — Kevin Schraven; Anooj Patel; Hankin Patent Law, APC

(57) **CLAIM**

The ornamental design for a tray, as shown and described.

**DESCRIPTION**

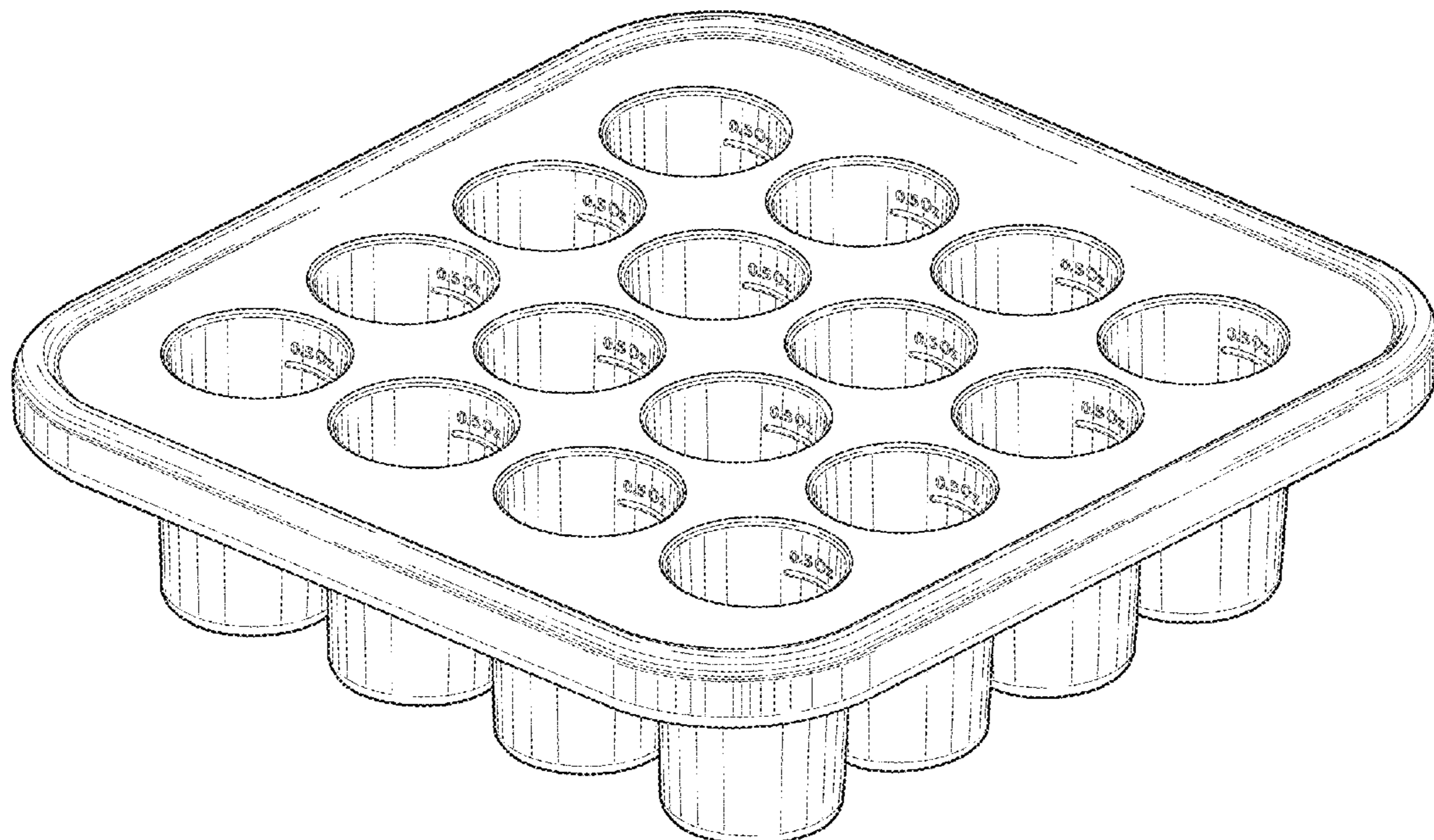
FIG. 1 is a top perspective view of a first embodiment of a tray, showing our new design.  
 FIG. 2 is a bottom perspective view thereof.  
 FIG. 3 is a front elevational view thereof.  
 FIG. 4 is a rear elevational view thereof.  
 FIG. 5 is a left side elevational view thereof.  
 FIG. 6 is a right side elevational view thereof.  
 FIG. 7 is a top plan view thereof.  
 FIG. 8 is a bottom plan view thereof.  
 FIG. 9 is a top perspective view of another embodiment of a tray, showing our new design.  
 FIG. 10 is a bottom perspective view thereof.  
 FIG. 11 is a front elevational view thereof.  
 FIG. 12 is a rear elevational view thereof.  
 FIG. 13 is a left side elevational view thereof.  
 FIG. 14 is a right side elevational view thereof.  
 FIG. 15 is a top plan view thereof; and,  
 FIG. 16 is a bottom plan view thereof.

**1 Claim, 16 Drawing Sheets**

(56) **References Cited**

**U.S. PATENT DOCUMENTS**

- D256,081 S \* 7/1980 Patterson ..... D3/311
- D269,935 S \* 8/1983 Powers ..... D7/553.6
- D330,300 S \* 10/1992 Endelman ..... D6/682.2
- D336,181 S \* 6/1993 Muniz ..... D6/682
- D402,411 S \* 12/1998 Radler ..... D28/61
- D619,860 S \* 7/2010 Kulzer ..... D7/701
- D624,794 S \* 10/2010 Kulzer ..... D7/701



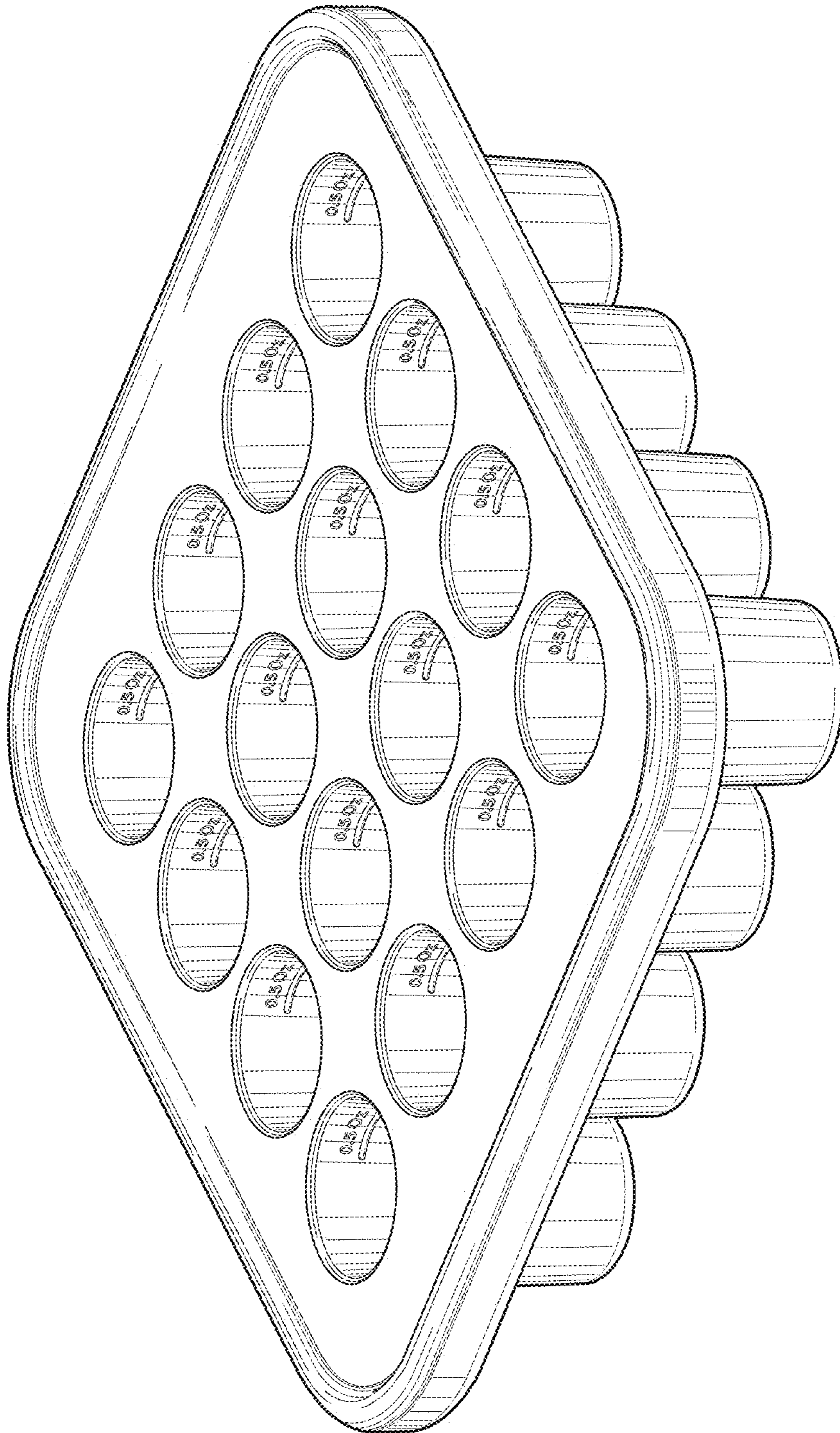


Fig. 1

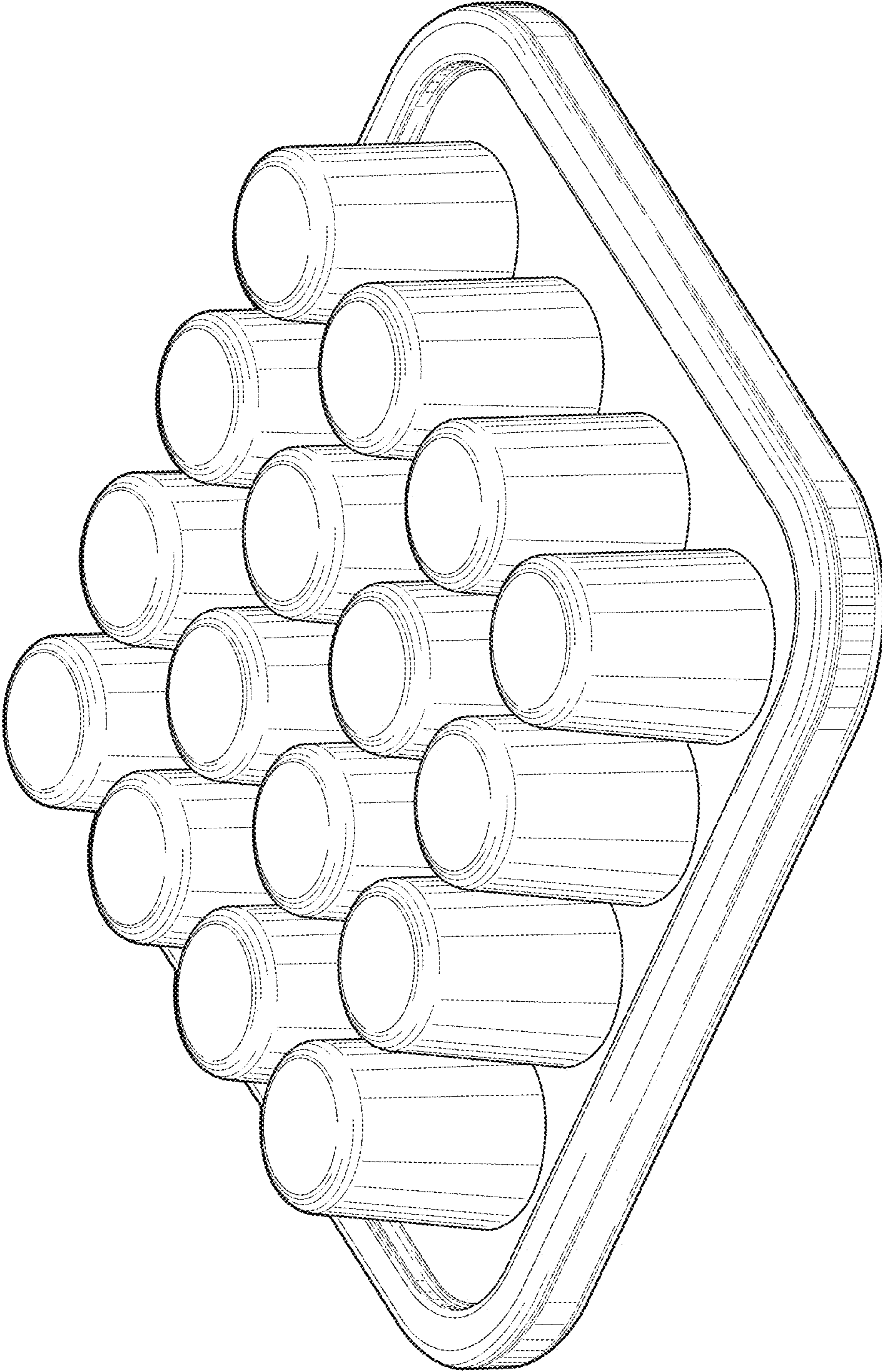


Fig. 2

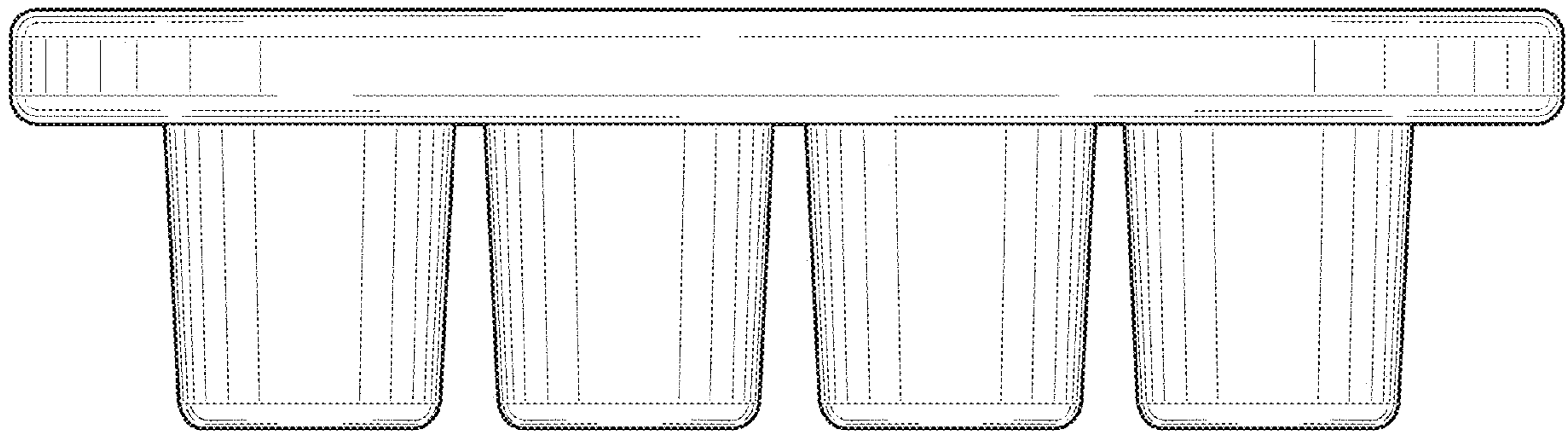


Fig.3

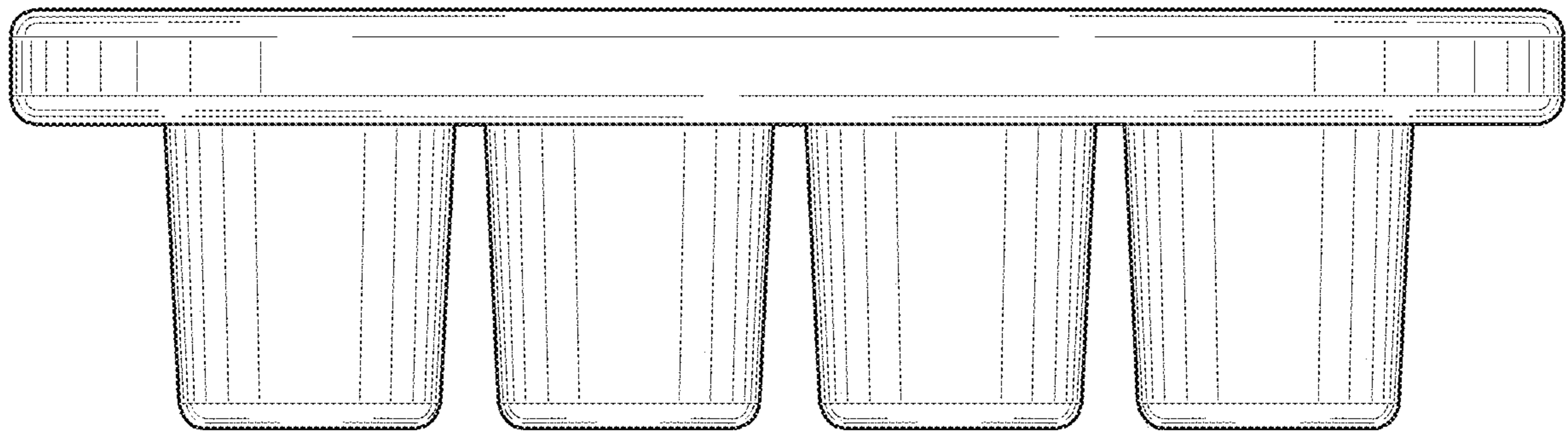


Fig.4

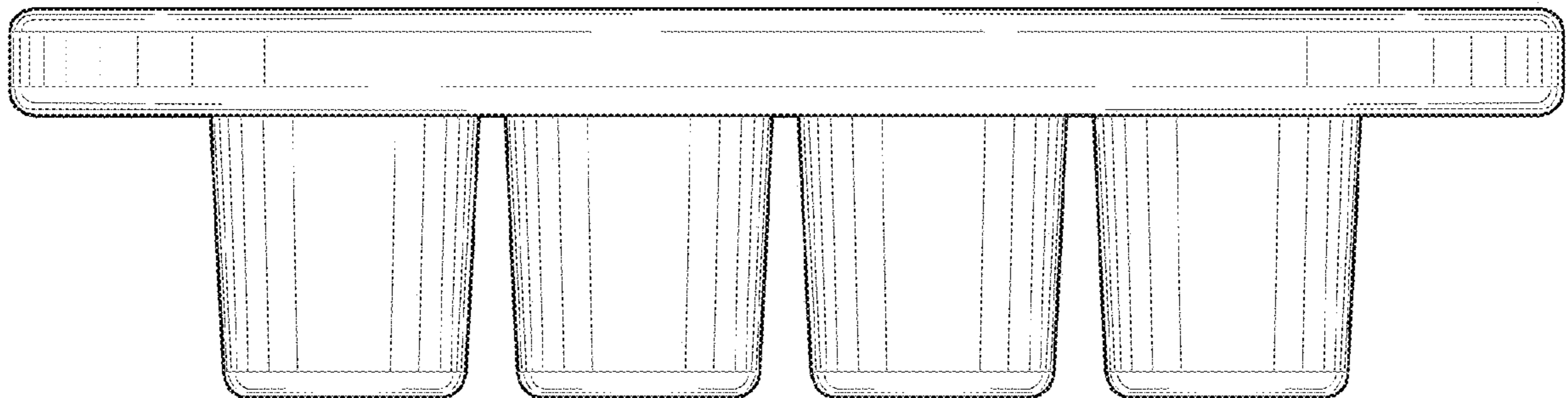


Fig.5

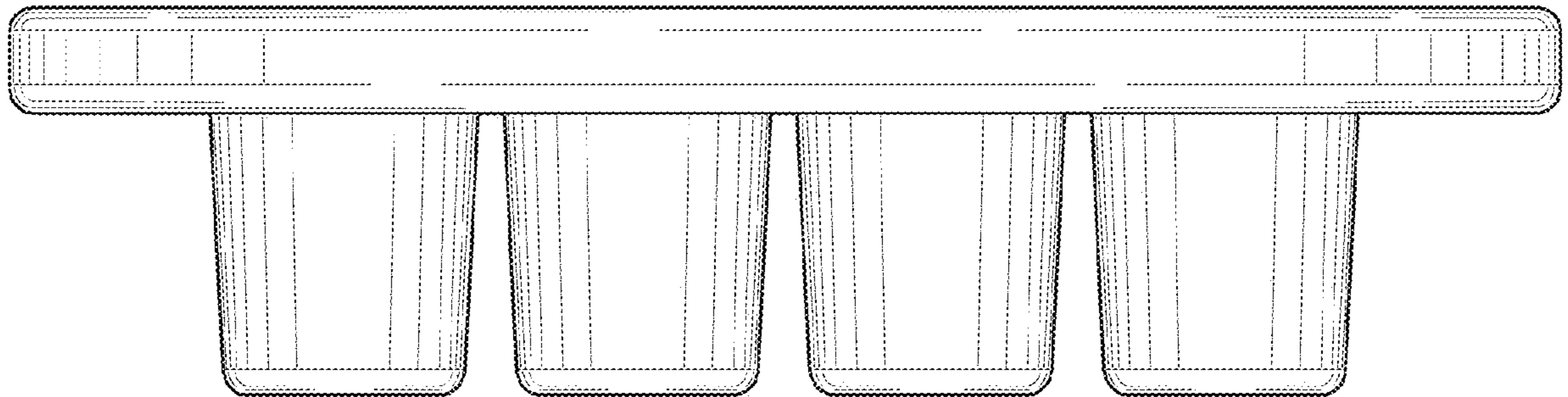


Fig.6

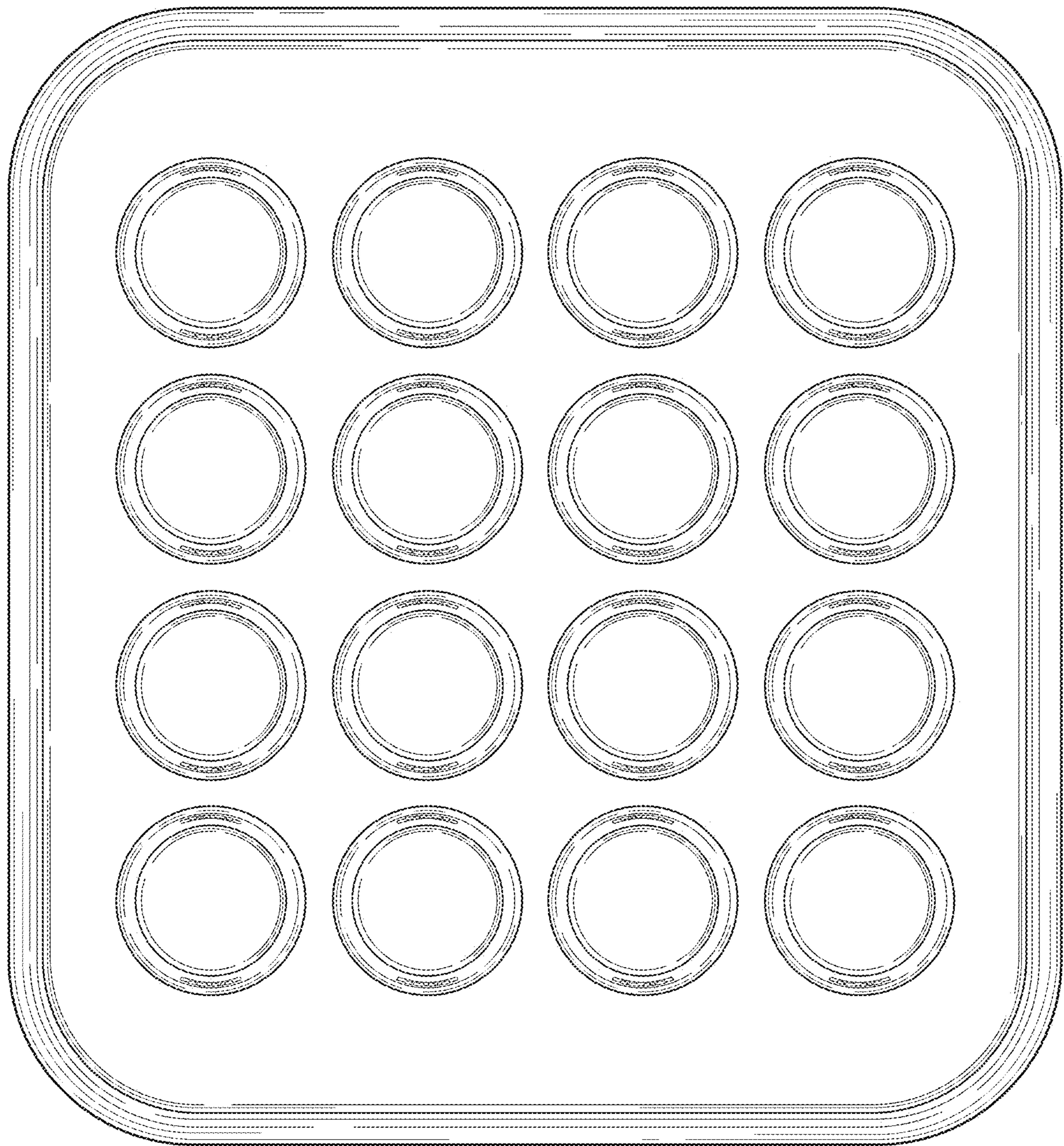


Fig. 7



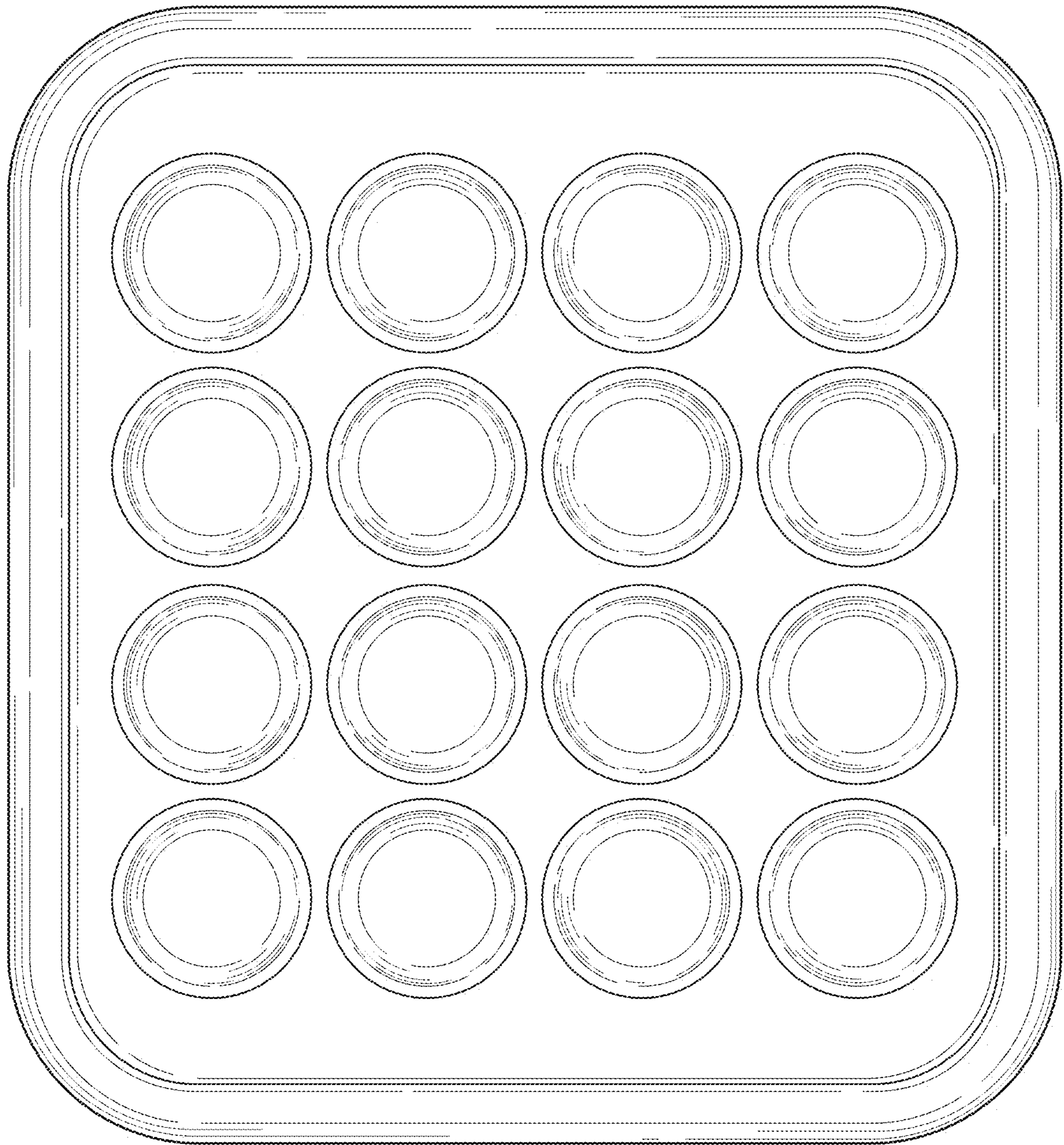


Fig. 8

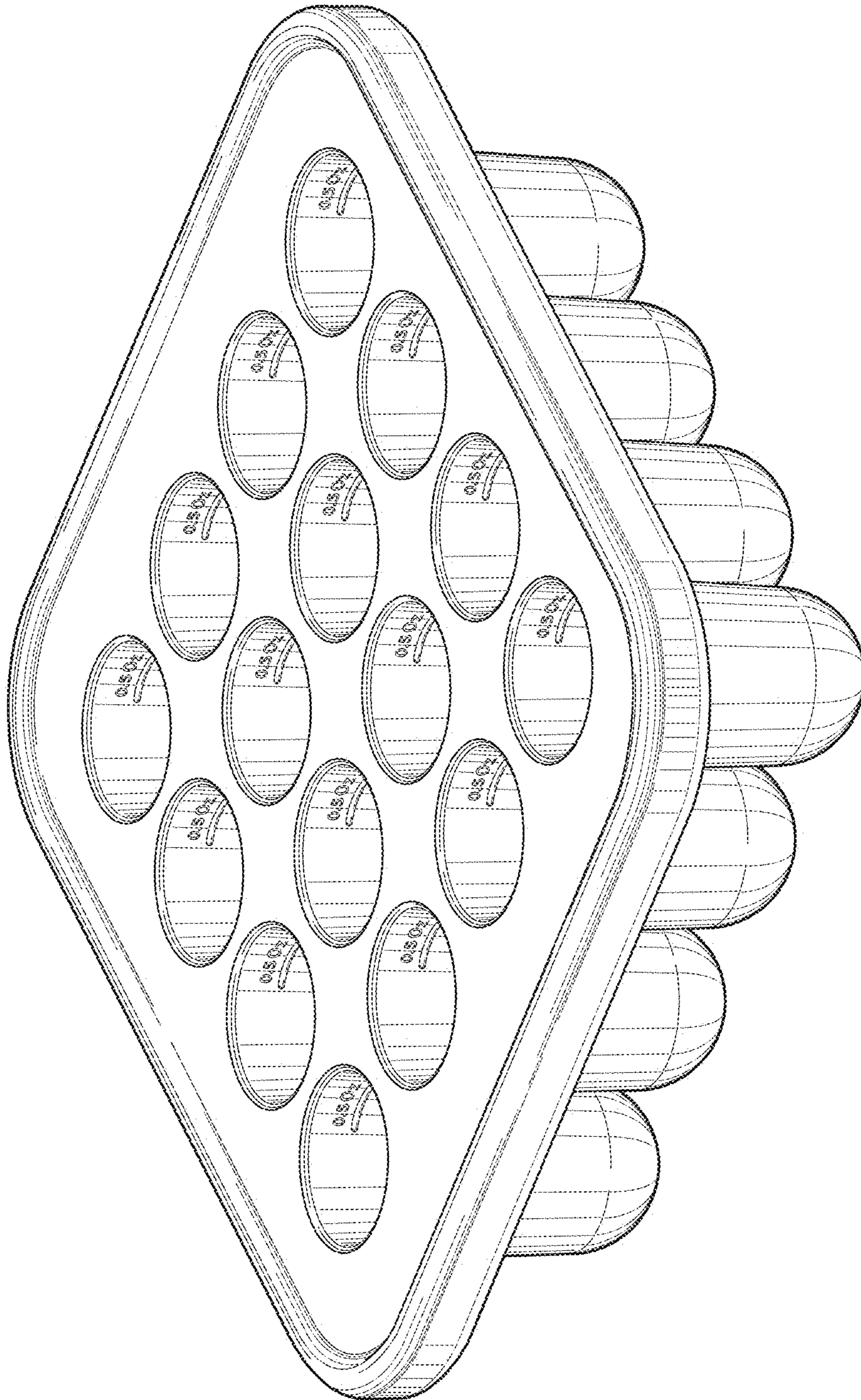


Fig. 9

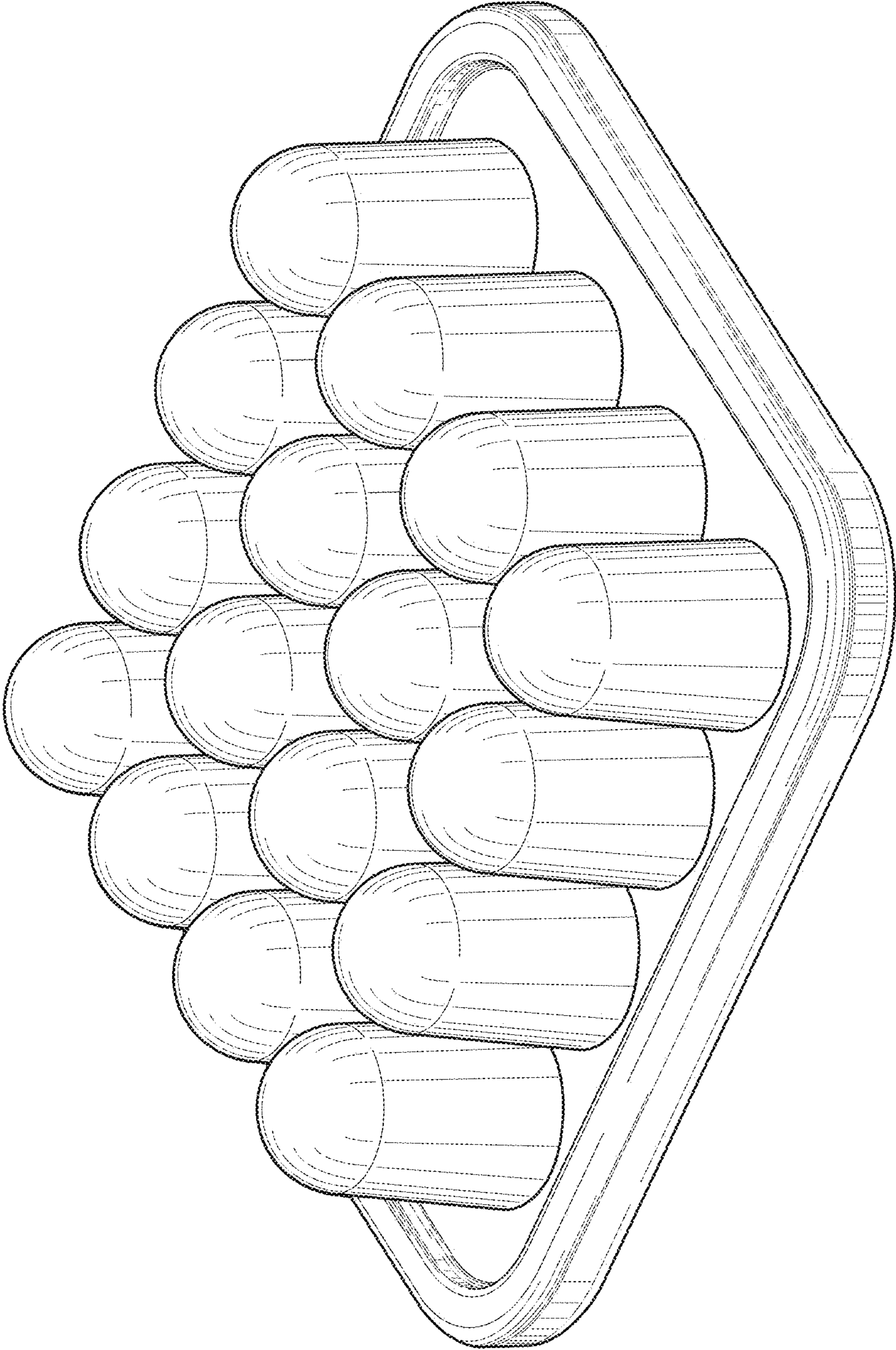


Fig. 10

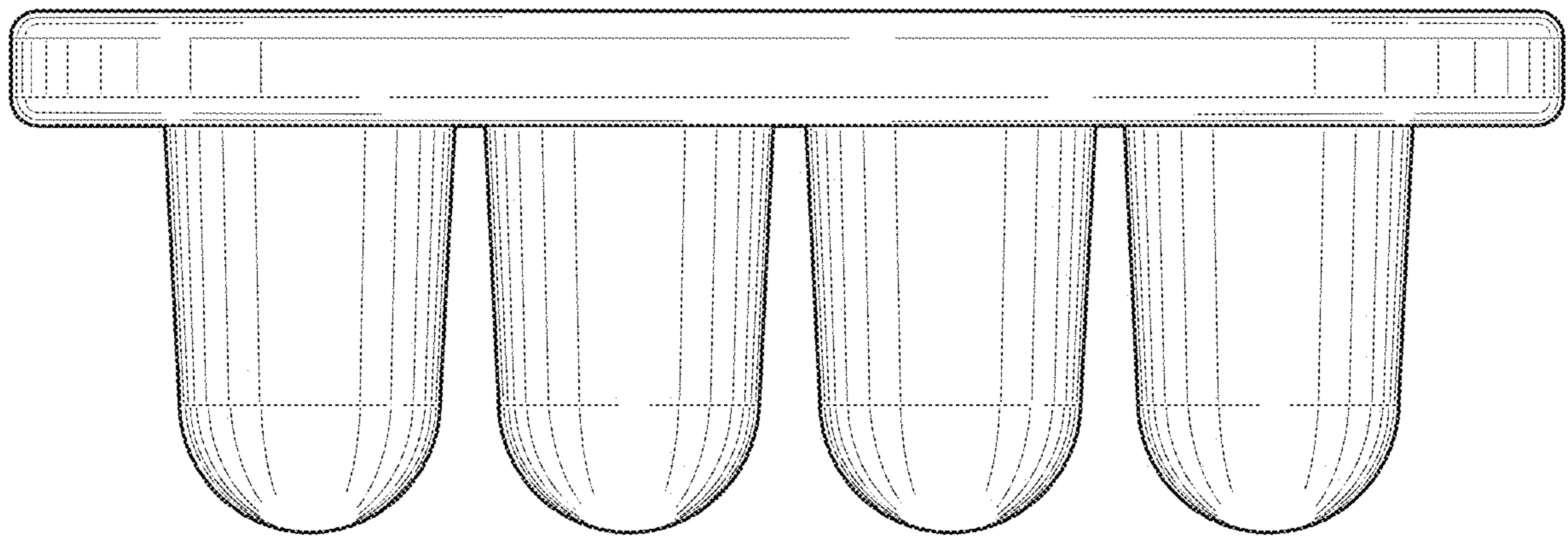


Fig. 11

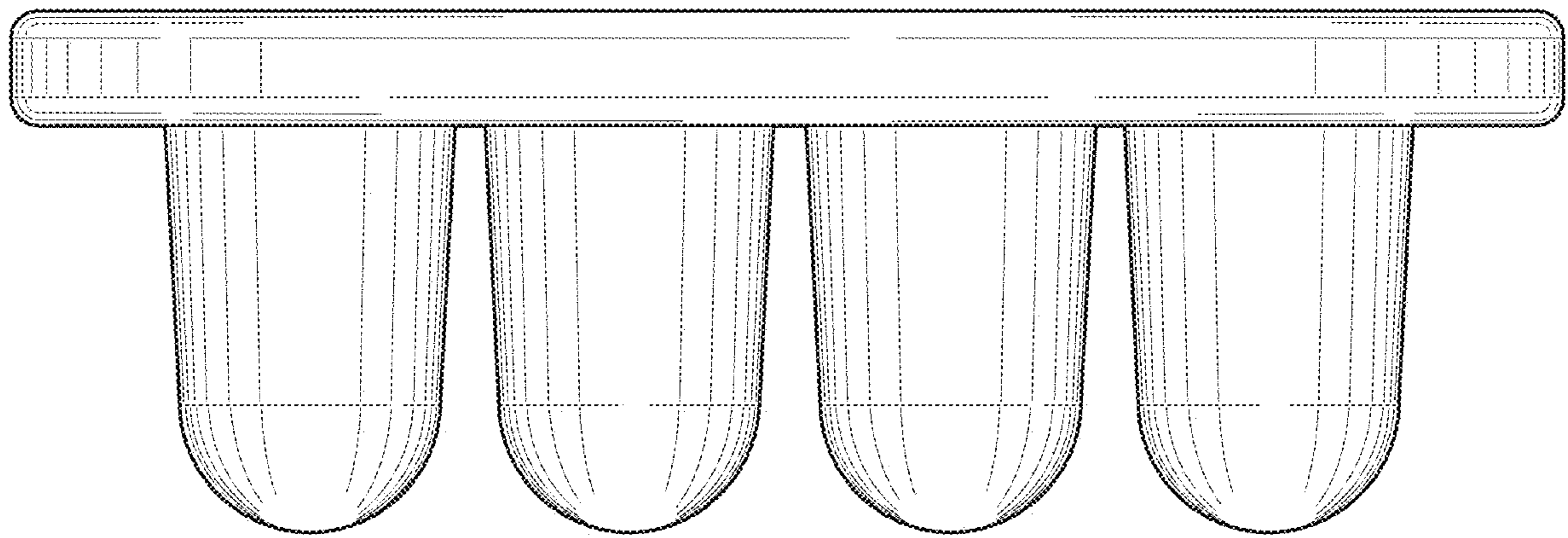


Fig. 12

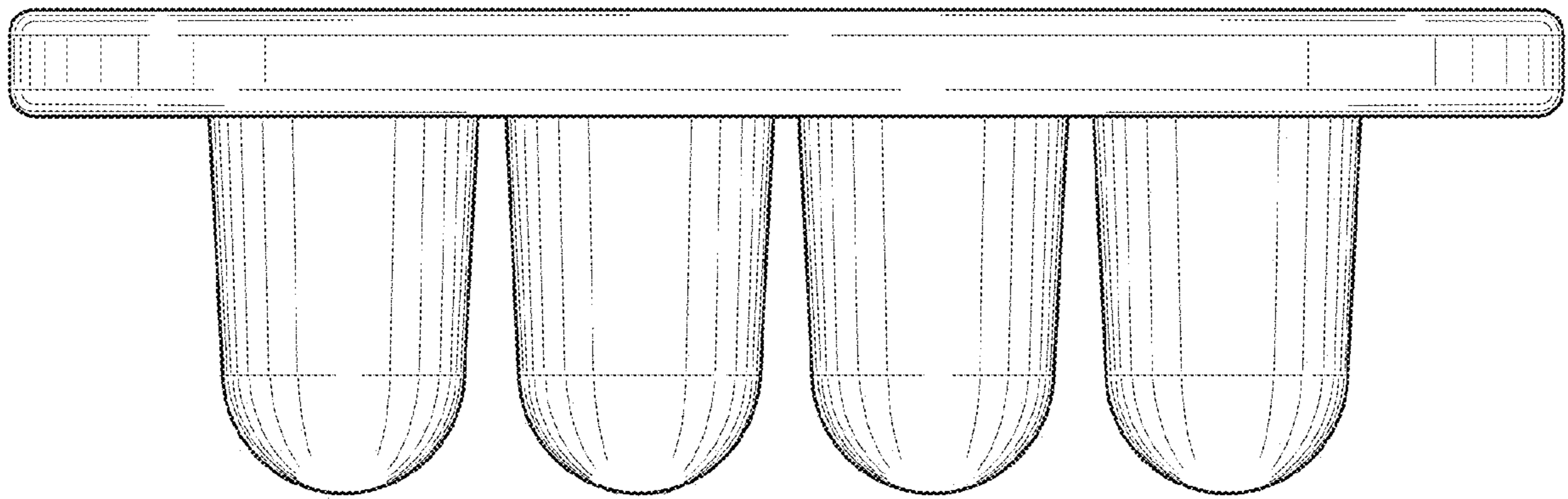


Fig.13

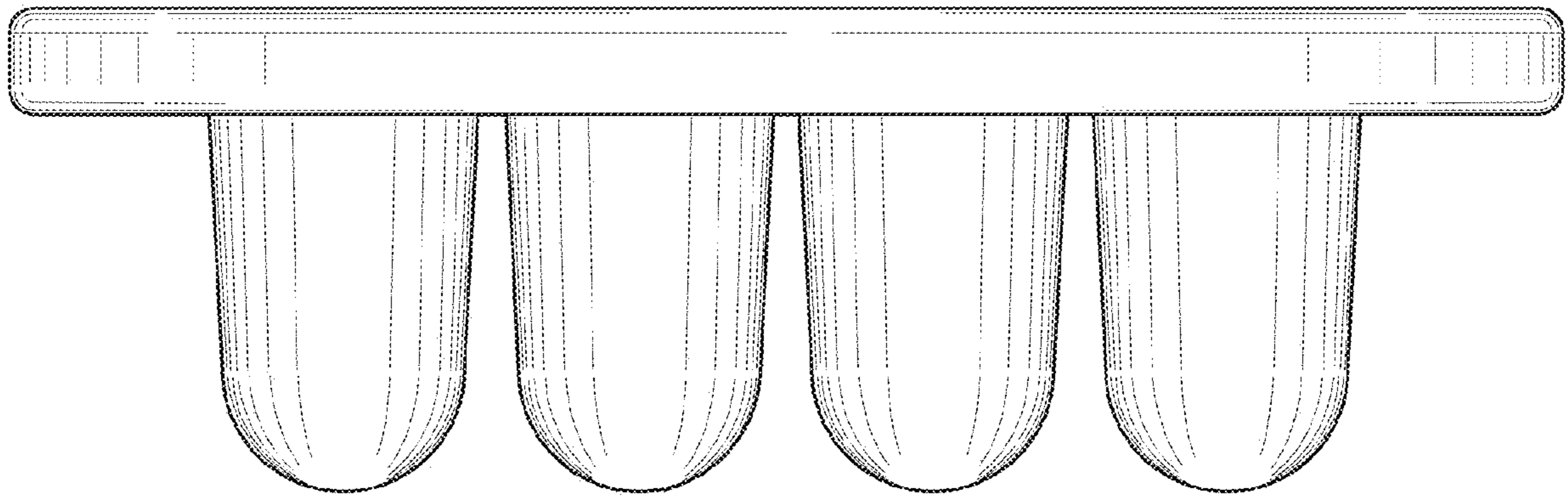


Fig.14

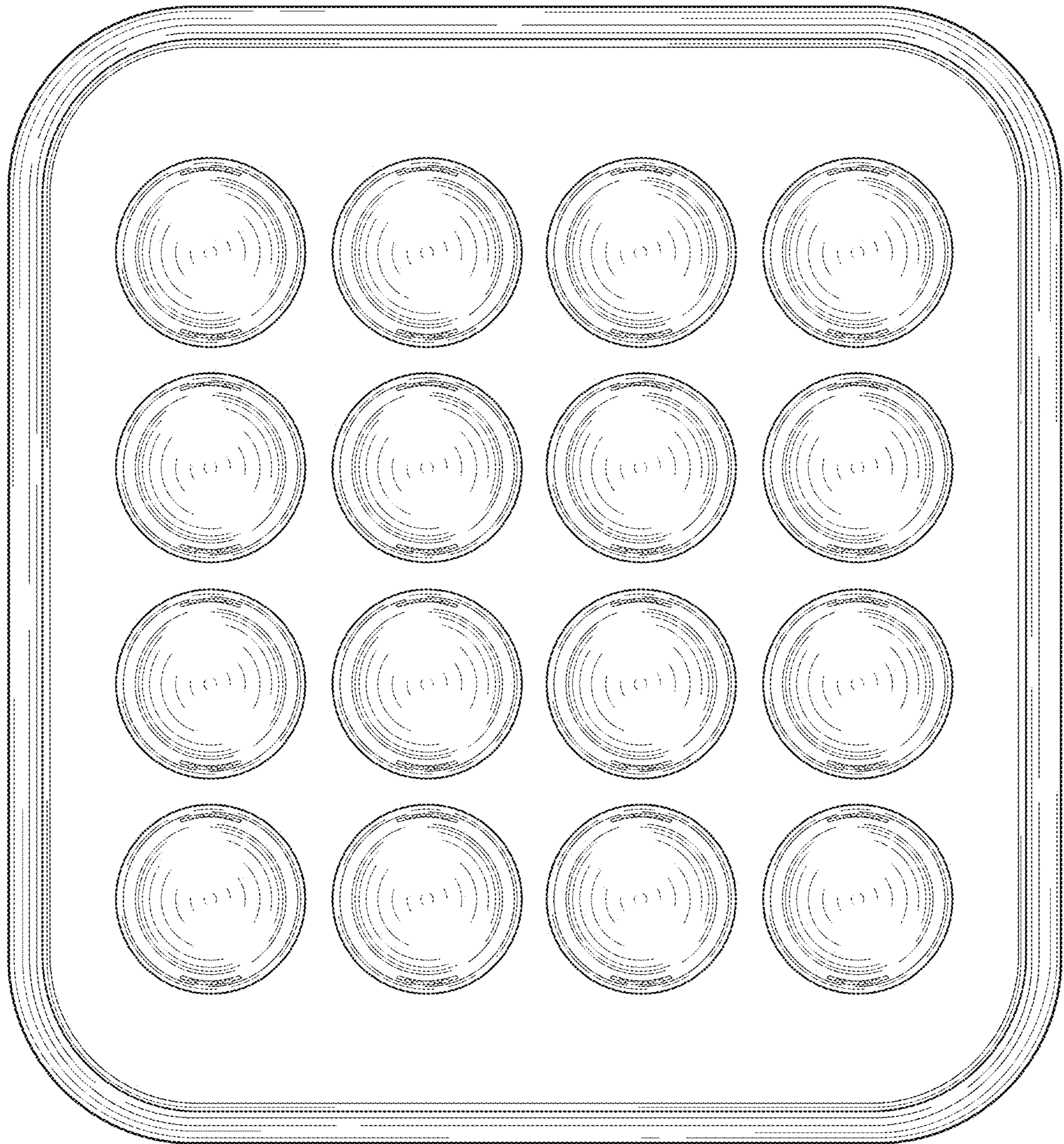


Fig. 15



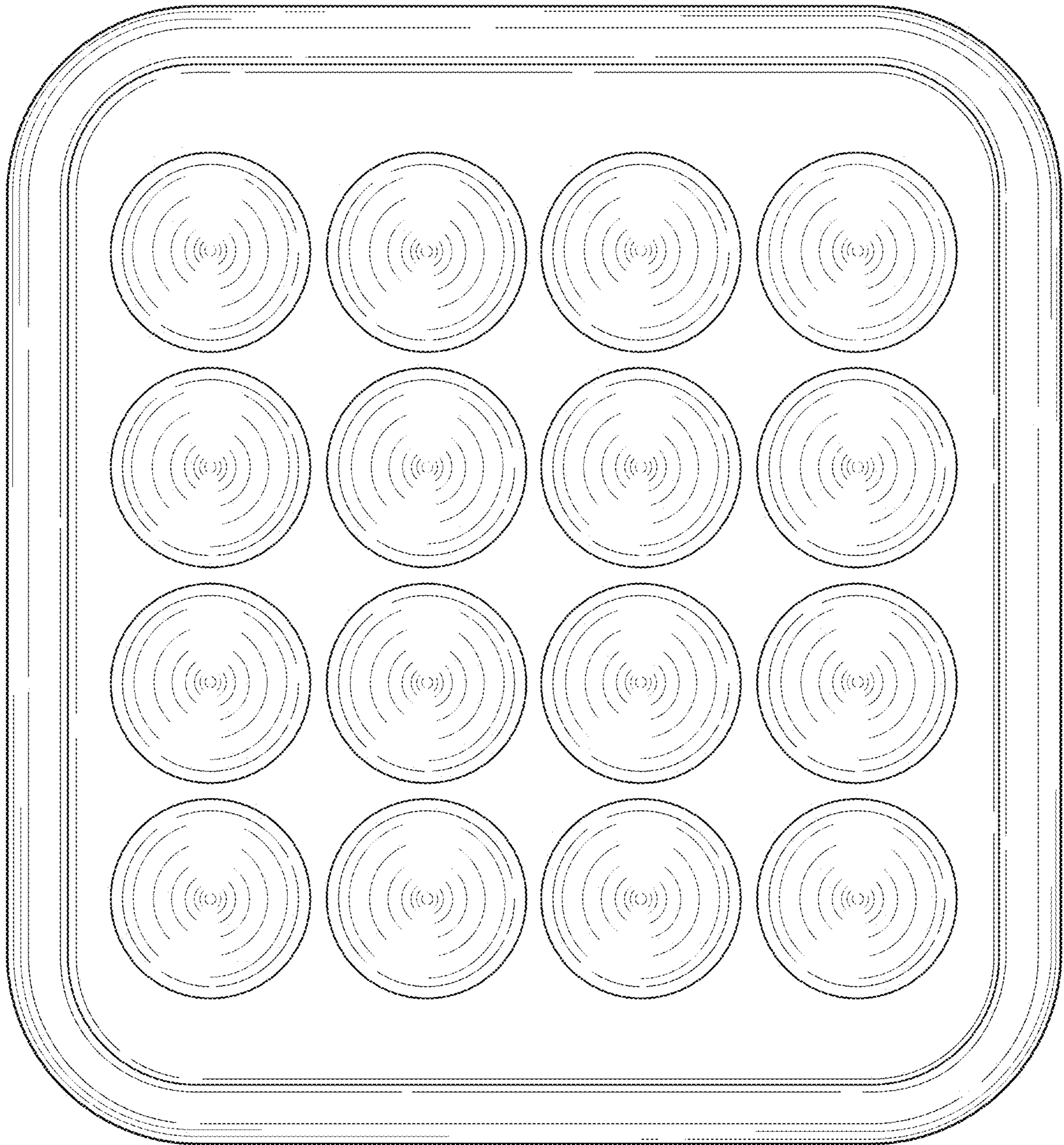


Fig. 16